

point

COOKER HOOD

PHT60STL18

PHT90STL18

User Manual

LIFE **EAS**
MADE **IER**

GB

Thank you for purchasing your new POINT COOKER HOOD. These operating instructions will help you use it properly and safely. We recommend that you spend some time reading this instruction manual in order that you fully understand all the operational features it offers. Read all the safety instructions carefully before use and keep this instruction manual for future reference.

NO

Takk for at du kjøpte ditt nye POINT AVTREKKSJETTE. Denne bruksanvisningen vil hjelpe deg med å bruke den på en trygg og riktig måte. Vi anbefaler at du tar deg tid til å lese gjennom hele bruksanvisningen for å bli fortrolig med alle funksjonene som tilbys. Les alle sikkerhetsanvisningene nøye før bruk, og oppbevar bruksanvisningen for fremtidig referanse.

FI

Kiitos, kun valitsit uuden POINT LIESITUULETTIMEN. Nämä käyttöohjeet opastavat sinua käyttämään laitetta oikein ja turvallisesti. On suositeltavaa käyttää aikaa tämän käyttöoppaan lukemiseen, jotta ymmärrät täysin, mitä toiminnallisia ominaisuuksia tuote tarjoaa. Lue kaikki turvallisuusohjeet huolellisesti ennen laitteen käyttöä ja säilytä käyttöopas myöhempää käyttöä varten.

DK

Tak for købet af dit nye EMHÆTTE fra POINT. Disse brugervejledninger hjælper dig med at bruge dette apparat rigtigt og sikkert. Vi anbefaler, at du læser denne brugervejledning, så du får en fuld forståelse af hvordan alle funktionerne virker. Læs sikkerhedsforskrifterne grundigt inden brug, og gem denne brugervejledning til senere brug.

SE

Tack för att du har köpt ditt nya FLÄTKÅPA från POINT. Denna bruksanvisning hjälper dig att använda den på ett säkert och korrekt sätt. Vi rekommenderar att du tar dig tid att läsa igenom denna bruksanvisning för att till fullo förstå alla driftfunktioner som den erbjuder. Läs noga igenom alla säkerhetsinstruktioner före användning och spara bruksanvisningen för framtida bruk.

Instruction Manual - English	page	4 - 22
Bruksanvisning - Norsk	side	23 - 41
Käyttöopas - Suomi	sivu	42 - 61
Brugervejledning - Dansk	side	62 - 80
Bruksanvisning - Svenska	sida	81 - 99



SAFETY INSTRUCTIONS

Never do:

- Do not try to use the cooker hood without the grease filters or if the filters are excessively greasy!
- Do not install above a cooker with a high level grill.
- Do not leave frying pans unattended during use because overheated fat or oil might catch fire.
- Never leave naked flames under the cooker hood.



- If the cooker hood is damaged, do not attempt to use.
- Do not flambé under the cooker hood.

- CAUTION: Accessible parts may become hot when used with cooking appliances.
- The minimum distance between the supporting surface for the cooking vessels on the hob and the lowest part of the cooker hood shall be at least 65 cm. (when the cooker hood is located above a gas appliance)
- The air must not be discharged into a flue that is used for exhaust fumes from appliances burning gas or other fuels.



Always do:

- Important! Always switch off the electricity supply at the mains during installation and maintenance such as light bulb replacement.
- The cooker hood must be installed in accordance with the installation instructions and all measurements must be followed.
- All installation work must be carried out by a competent person or qualified electrician.
- Dispose of the packing material carefully. Children are vulnerable to it.
- Pay attention to the sharp edges inside the cooker hood especially during installation and cleaning.
- When the cooker hood is located above a gas appliance, the minimum

distance between the supporting surface for the cooking vessels on the hob and the lowest part of the cooker hood that distance must be:

Gas cookers: 75 cm

Electric cookers: 65 cm

Coal or oil cookers:
75 cm

- Suggest the ducting has no bends sharper than 90 degrees as this will reduce the efficiency of the cooker hood.
- Warning: Failure to install the screws or fixing device in accordance with these instructions may result in an electrical hazards.

Always do:

- Always put lids on pots and pans when cooking on a gas cooker.
- When in extraction mode, air in the room is being removed by the cooker hood. Make sure that proper ventilation measures are being observed. The cooker hood removes odours from the room but not steam.
- Cooker hood is for domestic use only.



- If the power cable is damaged, it must be replaced by the manufacturer, its service agent or similarly

qualified persons in order to avoid a hazard.

- This appliance can be used by children aged from 8 years and above and persons with reduced physical, sensory or mental capabilities or lack of experience and knowledge if they have been given supervision or instruction concerning use of the appliance in a safe way and understand the hazards involved. Children shall not play with the appliance. Cleaning and user maintenance shall not be made by children without supervision.



- Warning: Before obtaining access to terminals, all supply circuits must be disconnected.

Always do:

- Caution: The appliance and its accessible parts can become hot during operation. Be careful to avoid touching the heating elements. Children younger than 8 years old should stay away unless they are under permanent supervision.
- There shall be adequate ventilation of the room when the cooker hood is used at the same time as appliances burning gas or other fuels.
- There is a fire risk if cleaning is not carried out in accordance with the instructions.

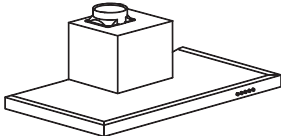
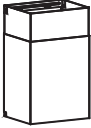
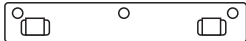
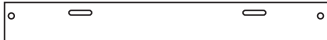
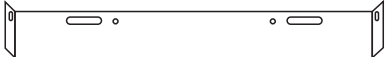
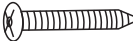
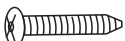


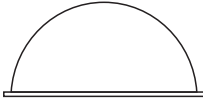
- Regulations concerning the discharge of air have to be fulfilled.
- Clean your appliance periodically by following the method given in the MAINTENANCE section.
- For safety reasons, use only the same size of fixing or mounting screws which are recommended in this instruction manual.
- Regarding the details about the method and frequency of cleaning, refer to maintenance and cleaning section in the instruction manual.
- Cleaning and user maintenance shall not be made by children without supervision.
- When the cooker hood and appliances supplied with energy other than electricity are simultaneously in operation, the negative

pressure in the room must not exceed 4 Pa (4×10^{-5} bar).

- WARNING: Danger of fire: do not store items on the cooking surfaces.
- A steam cleaner is not to be used.

- NEVER try to extinguish a fire with water, but switch off the appliance and then cover flame e.g. with a lid or a fire blanket.

PARTS SUPPLIED

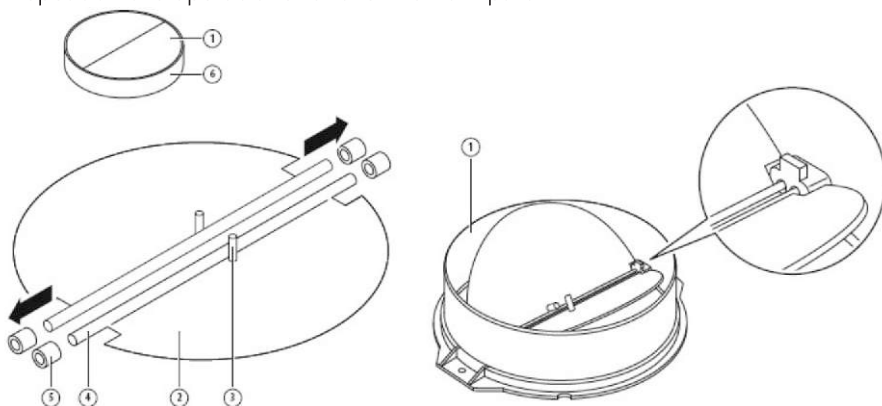
Description	Illustration	Qty
Cooker hood		1
Chimney		2 (1pc for inside chimney, 1pc for outside chimney)
Wall bracket		1
Plate I		1
Plate II		1
Screw (4mm x 40mm)		7
Screw (4mm x 30mm)		2
Wall plug		9
Screw (4mm x 8mm)		4
V-flap		2

INSTALLATION (VENT OUTSIDE) **MOUNTING OF THE V-FLAP**

If the cooker hood does not have an assembled V-flap ①, you should mount the half-parts to the its body. The images only show an example of how to mount the V-flap, the outlet may be different according to different models and configuration.

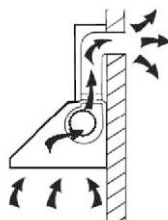
To mount the V-flap ① you should:

- Mount two half-parts ② into the body ⑥
- The pin ③ should be top oriented;
- The axis ④ should be inserted in the holes ⑤ on the body;
- Repeat all the operations for the 2nd half-part



INSTALLATION

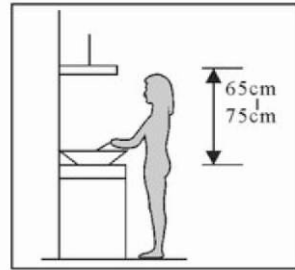
If you have an outlet to the outside, your cooker hood can be connected as below picture by means of an extraction duct (enamel, aluminum, flexible pipe or inflammable material with an interior diameter of 150mm). Note: The expansion pipe is not included in the product.



1. Before installation, turn the unit off and unplug it from the outlet.

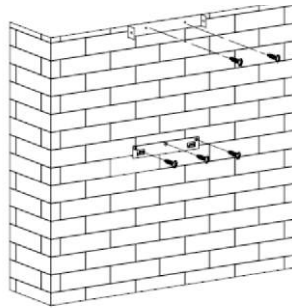


2. The cooker hood should be placed at a distance of 65~75cm above the cooking surface for best effect.



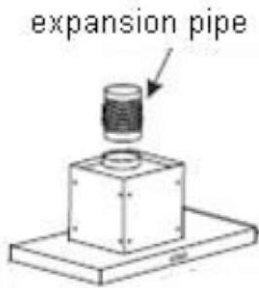
Pic1

3. Install the hook on a suitable place once the installation height is fixed, and keep it in line. The fixed position of the inside chimney bracket is the place of chimney. See pic 2.

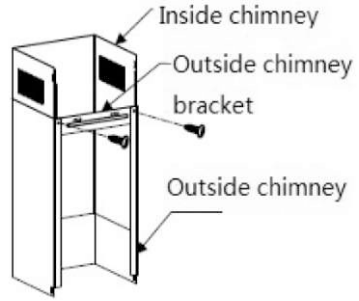


PIC-2

4. Install the expansion pipe and chimney on the cooker hood. Afterwards, fix the outside chimney bracket on the outside chimney, and be sure that the inside chimney can be adjusted the height in it freely as well as fixing the expansion pipe. See Pic 3/Pic4.

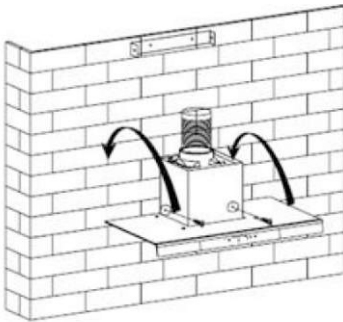


Pic-3

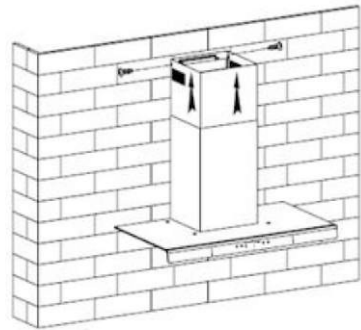


PIC-4

5. Put the cooker hood on the hook. See Pic 5.



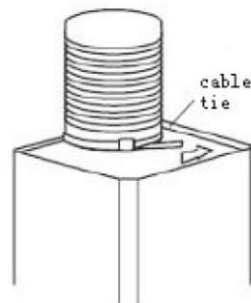
PIC-5



PIC-6

6. Adjust the height of the inside chimney to the position of the inside chimney bracket and fix on it by screw, after adjusting the position, fix the body with safety screw. See Pic 6.

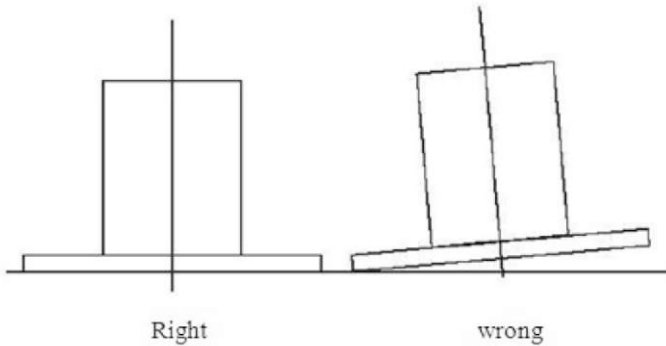
Note: The two safety vents are positioned on the back housing, with diameter of 6mm. Lay the expansion pipe to the wall outlet. Fix the expansion pipe with the cable tie on the wall-outlet.



HINTS FOR EXHAUST DUCT INSTALLATION

The following rules must be strictly followed to obtain optimal air extraction:

- Keep expansion pipe short and straight.
- Do not reduce the size or restrict expansion pipe.
- When using expansion pipe always install the pipe pulled taut to minimize pressure loss.
- Failure to observe these basic instructions will reduce the performance and increase noise levels of the cooker hood.
- Any installation work must be carried out by a qualified electrician or competent person.
- Do not connect the ducting system of the hood to any existing ventilation system which is being used for any other appliance ,such as warmer tube, gas tube , hot wind tube.
- After the installation, make sure that the cooker hood is level to avoid grease collection at on end.
- Ensure the expansion pipe selected for installation complies with relevant standards and is fire retardant.



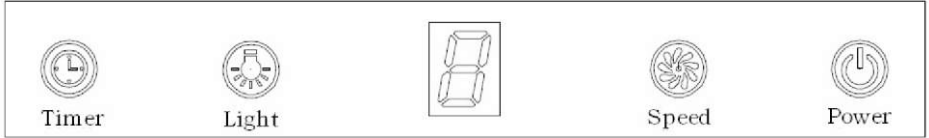
WARNING:



- For safety reason, please use only the same size of fixing or mounting screws which are recommended in this instruction manual.
- Failure to install the screws or fixing device in accordance with these instructions may result in electrical hazards.

Start Using Your Cooker Hood

Touch control with LED display



1. Press the “Power” button, the button control the “on” & “off ” of the hood.
2. Keep pressing the button “Speed”, the motor runs as low / mid / high / low / mid..., the speed runs circularly; and the LED display will indicate as 1-2-3-1-2... circularly.
3. Press “Light” button, the light is on, press this button again, the light is off, keep pressing this button, the lights are on/off circularly.
4. When the hood is working, if press the “Timer” button, the hood will go into the status of acquiescent working (acquiescent time is 9mins), and then, the LED display will indicate as “9-8-7...-1-0”, when indicate “0”, the hood will be off automatically. If keep pressing “Timer” button, the hood will go in or go out “Timer” function.

TROUBLESHOOTING

Fault	Possible Cause	Solution
Light on, but motor does not work	Fan switch turned off	Select a fan switch position.
	Fan switch failed	Contact service center.
	Motor failed	Contact service center.
Light does not work, motor does not work	House fuses blown	Reset/Replace fuses.
	Power cable loose or disconnected	Refit cable to power outlet. Switch power outlet on.
Oil leakage	One way valve and the air ventilation entrance are not tightly sealed	Take down the one way valve and seal it with sealant.
	Leakage from the connection of U-shaped section and cover	Take U-shaped section down and seal.
Lights not working	Broken/Faulty bulbs	Replace bulbs as per this instruction.
Insufficient suction	The distance between the cooker hood and the gas top is too far	Refit the cooker hood to the correct distance.
The Cooker hood inclines	The fixing screw is not tight enough	Tighten the hanging screw and make it horizontal.

GB



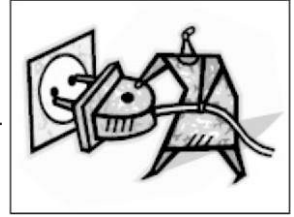
NOTE:

Any electrical repairs to this appliance must conform to your local, state and federal laws. Contact the service centre if in any doubt before undertaking any of the above. Always disconnect the unit from the power source when opening the unit.

MAINTENANCE AND CLEANING

Caution:

- Before maintenance or cleaning is carried out, the cooker hood should be disconnected from the main power supply. Ensure that the cooker hood is switched off at the wall socket and the plug removed.
- External surfaces are susceptible to scratches and abrasions, so follow the cleaning instructions to ensure the best possible result is achieved without damage.



GENERAL

Cleaning and maintenance should be carried out with the appliance cold especially when cleaning. Avoid leaving alkaline or acid substances (lemon juice, vinegar etc.) on the surfaces.

STAINLESS STEEL

The stainless steel must be cleaned regularly (e.g. weekly) to ensure long life expectancy. Dry with a clean soft cloth. A specialized stainless steel cleaning fluid may be used.

NOTE:

Ensure that wiping is done along with the grain of the stainless steel to prevent any unsightly crisscross scratching patterns from appearing.

CONTROL PANEL SURFACE

The inlay control panel can be cleaned using warm soapy water. Ensure the cloth is clean and well wrung before cleaning. Use a dry soft cloth to remove any excess moisture left after cleaning.

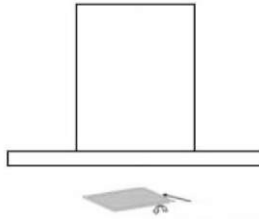
Important

Using neutral detergents and avoid using harsh cleaning chemicals, strong household detergents or products containing abrasives, as this will affect the appliance appearance and potentially remove any printing of artwork on the control panel and will void manufactures warrantee.

GREASE MESH FILTERS

The mesh filters can be cleaned by hand. Soak them for about 3 minute in water with a grease-loosening detergent then brush it gently with a soft brush. Do not apply too much pressure, avoid damaging it . (Leave it to dry naturally out of direct sun light)

Filters should be washed separately to crockery and kitchen utensils. It is advisable not to use rinse aid.



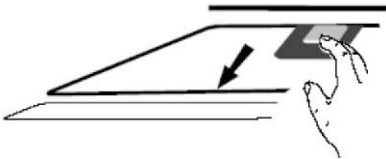
INSTALLING GREASE MESH FILTERS

- To install filters follow these four steps (See pic below):
 - Angle the filter into slots at the back of the hood.
 - Push the button on handle of the filter.
 - Release the handle once the filter fits into a resting position.
 - Repeat to install all filters.

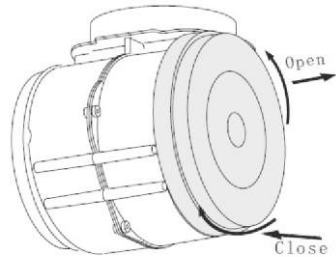
CARBON FILTER- not included in the product

Carbon filter can be used to trap odors. Normally the carbon filter should be changed every three to six months according to your cooking habit. The installation procedure for an carbon filter is as below.

1. Before installing or replacing the carbon filters, remove power to the unit.
2. Press the filter lock and remove the mesh filter.



3. Turn the carbon filter on both side of the motor anti-clockwise. Replace the carbon filters with the new carbon filters.
4. Place the mesh filter.
5. Connect the power supply to the wall socket.



NOTE:

- Make sure the filter is securely locked. Otherwise, it would loosen and cause danger.
- When the carbon filter is attached, the suction power will be lowered.

BULB REPLACEMENT

Important :



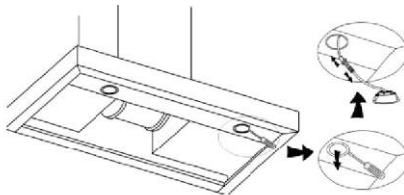
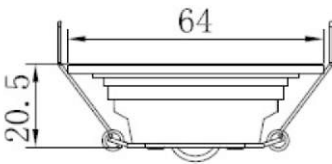
- ✧ The bulb must be replaced by the manufacturer, its service agent or similarly qualified persons. Contact customer service for assistance.
- ✧ Always switch off the electricity supply before carrying out any operations on the appliance. When handling the bulb, make sure it has completely cooled down before any direct contact.
- ✧ When handling bulbs hold them with a cloth or gloves to ensure perspiration does not come into contact with the bulb as this can reduce the life of the bulb.

LED LIGHTS

1. First switch the unit off and pull out the plug.
2. Wait until the light bulb has completely cooled down before replacement.
3. Take out the baffle filter and use the screw driver to take out the frame as the below pic shows
4. Replace with the same type of bulb (LED 2W Max)

Note: Light replacement should be carried out by qualified service personnel only.

- ILCOS D code for this lamp is: DBR-2/65-H-64
- LED modules -round lamp
- Dimensions:



Specification:

Model No.: PHT60STL18 & PHT90STL18
Rated voltage.: 220-240V~, 50Hz
Rated motor power.: 125W
Lamp power.: 2*2W
Total power.: 129W

Cooker hood		Data sheet		
Brand name	POINT			
Type / Model	PHT60STL18			
Annual Energy Consumption	AEC hood	67.3	kWh	
Energy Efficiency Index	EEI hood	82.0	-	
Fluid Dynamic Efficiency	FDE hood	13.0	-	
Lighting efficiency (in watts)	LE hood	33.6	lux/W	
Grease Filtering rate (in %)	GFE hood	82.1	-	
Air flow rate at best efficiency point	Q BEP	254.1	m ³ /h	
Air pressure at best efficiency point	P BEP	216	Pa	
Maximum air flow	Q max	504.4	m ³ /h	
Working points highest setting		479.6	m ³ /h	
Working points lowest setting		288.7	m ³ /h	
Electric power input at best efficiency point	W BEP	117.0	W	
Nominal power of the lighting system	W L	4.5	W	
Average illumination of the lighting system on the cooking surface	E middle	151	LUX	
Power consumption in standby mode	Ps	-	W	
Power consumption in off mode	Po	0.46	W	
Sound power level	Lwa	min./max.	53/65	dB

Cooker hood		Data sheet		
Brand name	POINT			
Type / Model	PHT90STL18			
Annual Energy Consumption	AEC hood	67.3	kWh	
Energy Efficiency Index	EEl hood	82.0	-	
Fluid Dynamic Efficiency	FDE hood	13.0	-	
Lighting efficiency (in watts)	LE hood	29.6	lux/W	
Grease Filtering rate (in %)	GFE hood	82.1	-	
Air flow rate at best efficiency point	Q BEP	254.1	m ³ /h	
Air pressure at best efficiency point	P BEP	216	Pa	
Maximum air flow	Q max	504.4	m ³ /h	
Working points highest setting		479.6	m ³ /h	
Working points lowest setting		288.7	m ³ /h	
Electric power input at best efficiency point	W BEP	117.0	W	
Nominal power of the lighting system	W L	4.5	W	
Average illumination of the lighting system on the cooking surface	E middle	133	LUX	
Power consumption in standby mode	P _s	-	W	
Power consumption in off mode	P _o	0.46	W	
Sound power level	L _{wa}	min./max.	53/65	dB

ENVIRONMENTAL PROTECTION:



This product is marked with the symbol on the selective sorting of waste electronic equipment. This means that this product must not be disposed of with household waste but must be supported by a system of selective collection in accordance with Directive 2012/19/EU. It will then be recycled or dismantled to minimize impacts on the environment, electrical and electronic products are potentially dangerous for the environment and human health due to the presence of hazardous substances. For more information, contact your local or regional authorities.

NOTE:

The following shows how to reduce total environmental impact (e.g. energy use) of the cooking process).

- (1) Install the cooker hood in a proper place where there is efficient ventilation.
- (2) Clean the cooker hood regularly so as not to block the airway.
- (3) Remember to switch off the cooker hood light after cooking.
- (4) Remember to switch off the cooker hood after cooking.

INFORMATION FOR DISMANTLING

Do not dismantle the appliance in a way which is not shown in the user manual. The appliance could not be dismantled by the user. At the end of life, the appliance should not be disposed of with household waste. Check with your Local Authority or retailer for recycling advice.

Imported and Exclusively marketed by:

Power International AS,
PO Box 43, N-1483 Hagan, Norway

Power Norge:

<https://www.power.no/kundeservice/>

T: 21 00 40 00

Expert Danmark:

<https://www.expert.dk/kundeservice/>

T: 70 70 17 07

Power Danmark:

<https://www.power.dk/kundeservice/>

T: 70 33 80 80

Punkt 1 Danmark:

<https://www.punkt1.dk/kundeservice/>

T: 70 70 17 07

Expert Finland:

<https://www.expert.fi/tuki/asiakaspalvelu/>

T: 020 7100 670

Power Finland:

<https://www.power.fi/tuki/asiakaspalvelu/>

T: 0305 0305

Power Sverige:

<https://www.power.se/kundeservice/>

T: 08 517 66 000

SIKKERHETSANVISNINGER

Dette må du aldri gjøre:

- Ikke prøv å bruke avtrekkshetten uten fettfiltrene eller hvis filtrene er for fettete!
- Ikke monter over en komfyr med en grill på høyt nivå.
- Ikke la stekepanner stå uten tilsyn under bruk, da overopphetet fett eller olje kan ta fyr.
- Aldri la det komme nakne flammer under avtrekkshetten.



- Hvis avtrekkshetten er skadet, skal den ikke brukes.
- Ikke flamber under avtrekkshetten.
- **FORSIKTIG:**
Tilgjengelige deler

kan bli varme når de brukes sammen med kjøkkenutstyr.

- Avstanden mellom støtteflaten til kokekarene på kokeplaten og den laveste delen på kokeplaten skal være minst 65 cm (når avtrekkshetten er plassert over et gassapparat).
- Luften må ikke slippes ut i en røykkanal som brukes til utslipp av avgasser fra apparater som brenner gass eller annet drivstoff.



Dette må du alltid gjøre:

- Viktig! Slå alltid av strømforsyningen ved

sikringen under montering og vedlikehold som for eksempel utskifting av lyspære.

- Avtrekkshetten skal monteres i henhold til monteringsanvisningene , og alle målene må følges.
- Alt monteringsarbeid må utføres av en kompetent person eller kvalifisert elektriker.
- Kast emballasjen forsiktig. Den kan være farlig for barn.
- Vær oppmerksom på skarpe kanter inne i avtrekkshetten, spesielt under montering og rengjøring.
- Når avtrekkshetten er plassert over et gassapparat, er minimumsavstanden mellom støtteflaten for kokekarene på kokeplaten og den

laveste delen på kokeapparatet:
Gasskomfyr: 75 cm
Elektrisk komfyr: 65 cm
Kull- eller oljekomfyr: 75 cm

- Ledningsrøret bør ikke ha noen bend over 90 grader, da dette vil redusere effektiviteten til avtrekkshetten.
- Advarsel: Hvis du ikke monterer skruene eller festeenhet i henhold til disse instruksjonene, kan det føre til elektrisk fare.

Dette må du alltid gjøre:

- Bruk alltid lokk på gryter og panner når du lager mat på en gasskomfyr.
- I uttrekksmodus tas luft i rommet ut av avtrekkshetten. Sørg

for at det riktige ventilasjonstiltak følges.

Avtrekkshetten fjerner lukt fra rommet, men ikke damp.

- Avtrekkshetten er kun til husholdningsbruk.



- Hvis strø姆ledningen er skadet, må den skiftes av produsenten, produsentens servicerepresentant eller fagperson for å unngå fare.
- Dette apparatet kan brukes av barn over 8 år og personer med reduserte fysiske-, sensoriske- eller mentale evner eller

mangel på erfaring og kunnskap hvis de er under tilsyn eller har mottatt anvisning om bruk av apparatet på en sikker måte og forstår farene dette innebærer. Barn må ikke leke med apparatet. Rengjøring og brukervedlikehold må ikke utføres av barn uten tilsyn.



- Advarsel: Før du får tilgang til tilkoblingspunktene, må alle forsyningskretsene kobles ut.

Dette må du alltid gjøre:

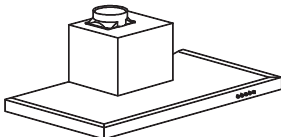

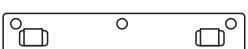
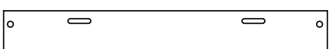
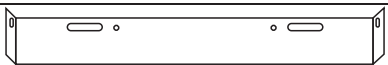
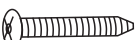
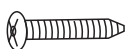



- Forsiktig: Apparatet og utsatte deler blir varme under bruk. Vær forsiktig slik at du ikke tar på varmeelementene. Barn under 8 år bør holde seg borte med mindre de er under permanent tilsyn.
- Det skal være tilstrekkelig ventilasjon i rommet når avtrekkshetten brukes samtidig som apparater som brenner gass eller andre drivstoff.
- Det foreligger en brannrisiko hvis rengjøring ikke utføres i samsvar med instruksjonene.
- Regler om utslipp av luft må overholdes.
- Rengjør apparatet jevnlig ved å følge metoden oppgitt i delen VEDLIKEHOLD.
- Av sikkerhetsmessige årsaker må du kun bruke samme størrelse på festeskruer eller monteringskruer som anbefalt i denne bruksanvisningen.
- Detaljer om metode og hyppighet for rengjøring finner du i se delen om vedlikehold og rengjøring i bruksanvisningen.
- Rengjøring og brukervedlikehold må ikke utføres av barn uten tilsyn.
- Når avtrekkshetten og apparater som drives med annen energi enn elektrisitet er i drift samtidig, må det negative trykket i rommet ikke overstige 4 Pa (4×10^{-5} bar).
- ADVARSEL: Fare for brann: Ikke legg ting på

kokeflatene.

- Damprenser skal ikke brukes.
- ALDRI prøv å slukke en brann med vann. Slå av

apparatet og dekk til flammen, f.eks. med et lokk eller et brannteppe.

DELER SOM FØLGER MED

Beskrivelse	Illustrasjon	Antall
Avtrekkshette		1
Skorstein		2 (1 stk. for innvendig skorstein, 1 stk for utvendig skorstein)
Veggbrakett		1
Plate I		1
Plate II		1
Skruer (4 x 40 mm)		7
Skruer (4 x 30mm)		2
Veggplugg		9
Skruer (4 x 8mm)		4
V-klaff		2

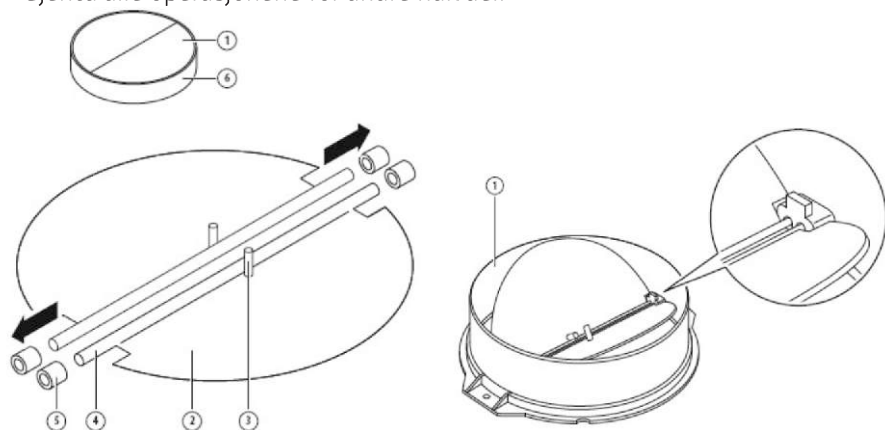
MONTERING (UTVENDIG VENTIL)

MONTERING AV V-KLAFF

Hvis avtrekkshetten ikke har V-klaffen ① montert, bør du montere halvdelene på kroppen. Bildene viser kun et eksempel på hvordan V-klaffen kan monteres. Uttaket kan avvike i henhold til ulike modeller og konfigurasjoner.

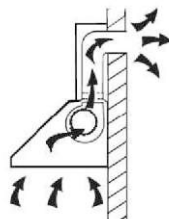
For å montere V-klaffen ① skal du gjøre som følger:

- Monter to halvdeler ② på kroppen ⑥.
- Pinnen ③ skal være vendt oppover.
- Aksen ④ skal settes inn i hullene ⑤ på kroppen.
- Gjenta alle operasjonene for andre halvdel.

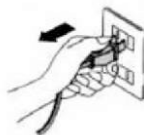


MONTERING

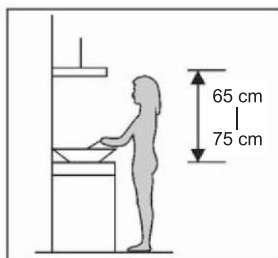
Hvis du har stikkontakt på utsiden, kan du sette på pannen som på bildet ved hjelp av en avgasskanal (emalje, aluminium, fleksibelt rør eller brennbart materiale med en indre diameter på 150 mm). Merk: Ekspansjonsrøret er ikke inkludert i produktet.



1. Før monteringen slår du av enheten og kobler den fra stikkontakt.

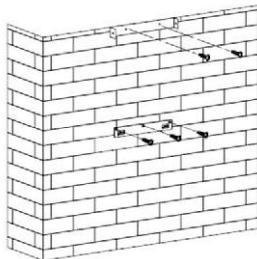


2. Avtrekkshetten skal plasseres i en avstand på 65–75 cm over kokeflaten for best effekt.



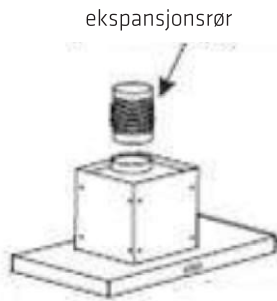
Bilde 1

3. Monter kroken på et hensiktsmessig sted når monteringshøyden er fastsatt, og hold den på linje. Festeposisjonen for brakett til innvendig skorstein er plasseringen til skorsteinen. Se bilde 2.

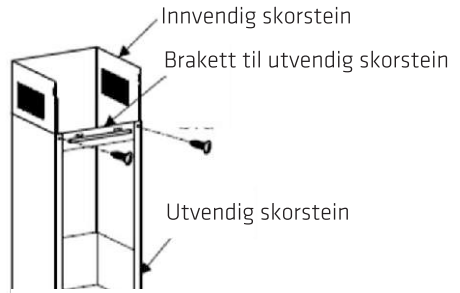


Bilde 2

4. Monter ekspansjonsrøret og skorsteinen på avtrekkshetten. Fest deretter utvendig skorsteinbrakett på utsiden av skorsteinen, og pass på at høyden til innvendig skorstein kan justeres fritt og at ekspansjonsrøret kan festes. Se bilde 3 / bilde 4.

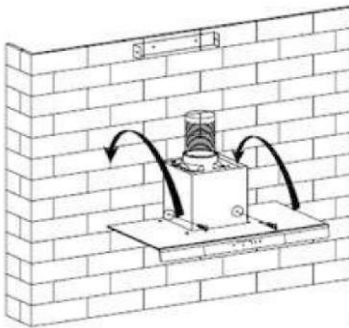


Bilde 3

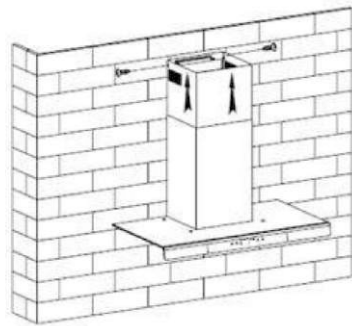


Bilde 4

5. Sett avtrekkshetten på kroken. Se bilde 5.



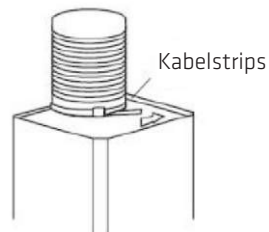
Bilde 5



Bilde 6

6. Juster høyden på den innvendige skorsteinen til posisjonen til brakett til innvendig skorstein, og fest den med skruer. Når posisjonen er justert, fester du kroppen med sikkerhetsskruen. Se bilde 6.

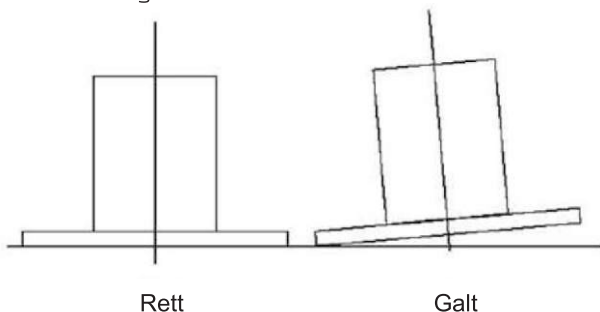
Merk: De to sikkerhetsventilene er plassert på bakhuset med en diameter på 6 mm. Legg ekspansjonsrøret til stikkkontakten. Fest ekspansjonsrøret og kabelstripsen på stikkkontakten.



HINT FOR MONTERING AV AVGASSKANAL

Følgende regler må følges nøye for å få optimalt luftuttrekk:

- Hold ekspansjonsrøret kort og rett.
- Ikke reduser størrelsen eller begrense ekspansjonsrøret.
- Hvis du bruker ekspansjonsrør, må du alltid montere røret tett for å minimere trykkfall.
- Hvis disse grunnleggende instruksjonene ikke overholdes, vil det redusere ytelsen og øke støynivået til avtrekkshetten.
- Alt monteringsarbeid må utføres av en kvalifisert elektriker eller kompetent person.
- Ikke koble luftsystemet på avtrekkshetten til et eksisterende ventilasjonssystem som brukes til andre apparater, for eksempel varmeslange, gassrør eller varmt vindrør.
- Etter montering må du sørge for at avtrekkshetten er i vater for å unngå at fett hoper seg opp på enden.
- Sørg for at ekspansjonsrøret som er valgt for montering er i samsvar med relevante standarder og er brannhemmende.

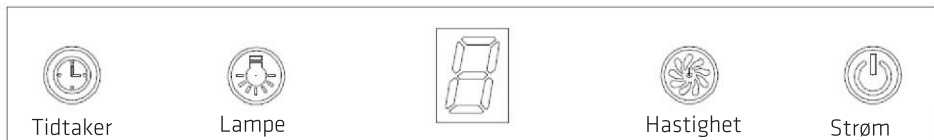


ADVARSEL:



- Av sikkerhetsmessige årsaker må du kun bruke samme størrelse på festeskruer eller monteringskruer som anbefalt i denne bruksanvisningen.
- Hvis du ikke monterer skruene eller festeenhet i henhold til disse instruksjonene, kan det føre til elektriske farer.

Begynne å bruke avtrekkshetten **Berøringskontroll med LED-skjerm**



1. Trykk «Strøm»-knappen for å slå avtrekkshetten av og på.
2. Fortsett å trykke «Hastighet»-knappen. Motorhastigheten endres i syklusen lav/midt/høy/lav/midt, og LED-skjermen indikerer 1-2-3-1-2....
3. Trykk «Lampe»-knappen for å slå på lampen. Trykk igjen for å slå av lampen. Du kan fortsette å trykke for å slå lampen av og på.
4. Når avtrekkshetten er i gang, kan du trykke «Tidtaker»-knappen. Avtrekkshetten teller da ned fra 9 minutter. LED-skjermen vil vise 9, 8, 7 ... 1, 0, så slås avtrekkshetten av automatisk. Du kan trykke «Tidtaker»-knappen for å slå funksjonen av og på.

FEILSØKING

Feil	Mulig årsak	Løsning
	Viftebryteren er slått av	Velg en viftebryterposisjon.
Lampen på, men motoren virker ikke	Viftebryteren har sviktet	Kontakt servicesenter.
	Motoren har sviktet	Kontakt servicesenter.
Lampen virker ikke, og motoren virker ikke	Sikringen er gått	Tilbakestill/bytt sikringen.
	Strømkabel løs eller frakoblet	Sett kabelen i stikkkontakten på nytt. Slå på stikkkontakten.
Oljelekkasje	Enveisventilen og luftventilasjonsinngangen er ikke tett forseglet	Ta av enveisventilen, og tett den med tetningsmasse.
	Lekkasje fra tilkoblingen av U-formet del og deksel	Ta den U-formede delen ned og tett.
Lampene virker ikke	Pærer har gått/sviktet	Bytt pærer etter instruksjonsboken.
Utilstrekkelig sugekraft	Avstanden mellom avtrekkshetten og komfyren er for lang	Monter avtrekksviften på riktig avstand.
Avtrekkshetten er skeiv	Festeskruen er ikke tett nok	Stram hengeskruen og gjør den vannrett.



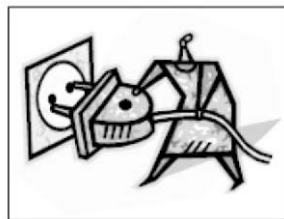
MERK:

Eventuelle elektrisk reparasjon av apparatet må gjøres i henhold til lokalt og nasjonalt lovverk. Hvis du har tvil, kontakter du servicesenteret før du gjør noe av det ovenstående. Koble alltid enheten fra strømkilden når du åpner enheten.

VEDLIKEHOLD OG RENGJØRING

Forsiktig:

- Før vedlikehold eller rengjøring må avtrekkshetten kobles fra strømforsyningen. Kontroller at avtrekkshetten er slått av ved stikkkontakten og at støpselet er tatt ut.
- Eksterne overflater er utsatt for riper og slitasje. Følg derfor rengjøringsinstruksjonene for å sikre best mulig resultat uten skade.



GENERELT

Rengjøring og vedlikehold bør utføres mens apparatet er kaldt, spesielt ved rengjøring. Unngå at basiske eller sure substanser (som f.eks. sitronsaft, eddik osv.) kommer i kontakt med overflatene.

RUSTFRITT STÅL

Rustfritt stål må rengjøres regelmessig (f.eks. hver uke) for å sikre lang levetid. Tørk med en ren, myk klut. Spesialisert rensesvæske for rustfritt stål kan brukes. MERK:

Sørg for at du tørker av i retningen til kornet til det rustfrie stålet for å hindre at du skraper opp og lager kryssmønstre.

KONTROLLPANELETS OVERFLATE

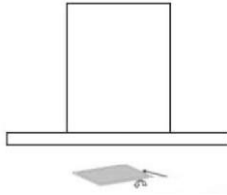
Det innlagte kontrollpanelet kan rengjøres med varmt såpevann. Kontroller at kluten er ren og godt vridd før rengjøring. Bruk en tørr, myk klut for å fjerne overflødig fuktighet igjen etter rengjøring.

Viktig

Bruk nøytrale rengjøringsmidler og unngå å bruke harde rengjøringsmidler, sterke husholdningsvaskemidler eller produkter med slipemidler, da dette vil påvirke utseendet på apparatet og muligens fjerne eventuell grafikk på kontrollpanelet og ugyldiggjøre produsentens garanti.

MASKE-FETTFILTER

Maskefiltrene kan rengjøres for hånd. Bløt dem opp i ca. 3 minutter i vann med et fettløsende vaskemiddel, og puss forsiktig med en myk børste. Ikke bruk for mye trykk; unngå å skade det. (La det tørke naturlig og ikke i direkte sollys) Filtre skal vaskes adskilt fra servise og kjøkkenutstyr. Det anbefales ikke å bruke skyllemiddel.



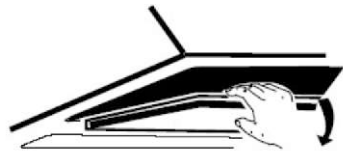
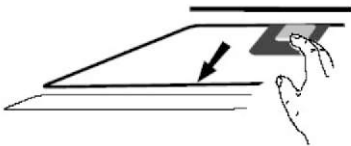
MONTERING AV MASKE-FETTFILTER

- Når du skal montere filtre, følger du disse fire trinnene (se bilde nedenfor):
 - Vinkle filteret inn i sporene på baksiden av avtrekkshetten.
 - Trykk knappen på håndtaket til filteret.
 - Løsne håndtaket når filteret er på plass.
 - Gjenta for montering av alle filtre.

KULLFILTER – følger ikke med produktet

Kullfilter kan brukes til å fange lukt. Kullfilteret bør normalt skiftes hver tredje til seks måneder alt etter hvordan og hvor ofte du lager mat. Monteringsprosedyren for et kullfilter er som følger.

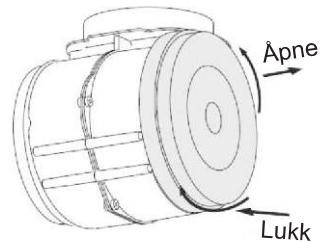
1. Før du monterer eller bytter kullfiltre, må du fjerne strømmen til enheten.
2. Trykk filterlåsen og fjern maskefilteret.




3. Drei kullfilteret på begge sider av motoren mot klokken. Bytt kullfiltrene ut med de nye kullfiltrene.
4. Plasser maskefilteret.
5. Koble strømforsyningen til en stikkontakt.

MERK:

- Sørg for at filteret er satt godt på. Ellers kan det løsne og føre til fare.
- Når kullfilteret er festet, reduseres sugeevnen.



BYTTE PÆRE

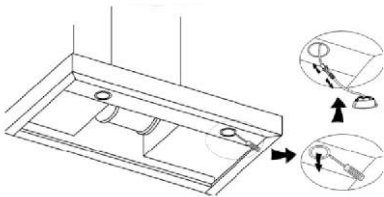
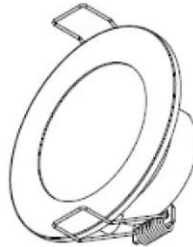
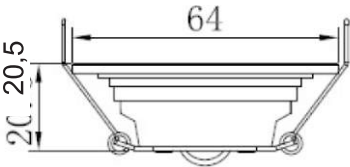
<p>Viktig:</p> 	<ul style="list-style-type: none">✧ Pæren må byttes ut av produsenten, serviceagenten eller tilsvarende kvalifiserte person. Ta kontakt med kundeservice for videre hjelp.✧ Slå alltid av strømforsyningen før du gjør noe med apparatet. Når du skal håndtere pæren, må du sørge for at den er helt avkjølt før direkte kontakt.✧ Ved håndtering av pærer må du holde dem med en klut eller hansker for å sikre at svette ikke kommer i kontakt med pæren, da dette kan redusere levetiden til pæren.
--	--

LED-LAMPER

1. Slå først av enheten, og trekk ut støpselet.
2. Vent til lyspæren er avkjølt før du skifter den ut.
3. Ta ut buffelfilteret og bruk skrutrekkeren til å ta ut rammen som vist på bildet nedenfor
4. Bytt ut med samme type pære (LED 2 W maks.)

Merk: Lampe skal kun skiftes ut av kvalifisert servicepersonale.

- ILCOS D-koden for denne lampen er: DBR-2/65-H-64
- LED-moduler – rund lampe
- Dimensjoner:



Spesifikasjoner:

Modellnr.: PHT60STL18 & PHT90STL18

Merkespenning: 220-240V~, 50Hz

Nominell motoreffekt: 125W

Lampeeffekt: 2 * 2 W

Samlet effekt: 129W

Avtrekkshette		Dataark		
Merkenavn	POINT			
Type/Modell	PHT60STL18			
Årlig strømforbruk	AEC-hette	67,3	kWh	
Energieffektivitetsindeks	EEl-hette	82,0	-	
Væskedynamisk effektivitet	FDE-hette	13,0	-	
Belysningseffektivitet (i watt)	LE-hette	33,6	lux/W	
Fettfiltreringshastighet (i %)	GFE-hette	82,1	-	
Luftstrømningshastighet på beste effektivitetspunkt	Q BEP	254,1	m ³ /h	
Luftrykk på beste effektivitetspunkt	P BEP	216	Pa	
Maksimal luftstrøm	Q maks.	504,4	m ³ /h	
Driftspoeng høyeste innstilling		479,6	m ³ /h	
Driftspoeng laveste innstilling		288,7	m ³ /h	
Strøminngang på beste effektivitetspunkt	W BEP	117,0	W	
Nominell effekt til belysningssystemet	W L	4,5	W	
Gjennomsnittlig belysning til belysningssystemet på kokeflaten	E midt	151	LUX	
Strømforbruk i ventemodus	Ps	-	W	
Strømforbruk når avslått	Po	0,46	W	
Lydtrykknivå	Lwa	min./maks.	53/65	dB

Avtrekkshette		Dataark		
Merkenavn	POINT			
Type/Modell	PHT90STL18			
Årlig strømforbruk	AEC-hette	67,3	kWh	
Energieffektivitetsindeks	EEI-hette	82,0	-	
Væskedynamisk effektivitet	FDE-hette	13,0	-	
Belysningseffektivitet (i watt)	LE-hette	29,6	lux/W	
Fettfiltreringshastighet (i %)	GFE-hette	82,1	-	
Luftstrømningshastighet på beste effektivitetspunkt	Q BEP	254,1	m ³ /h	
Lufttrykk på beste effektivitetspunkt	P BEP	216	Pa	
Maksimal luftstrøm	Q maks.	504,4	m ³ /h	
Driftspoeng høyeste innstilling		479,6	m ³ /h	
Driftspoeng laveste innstilling		288,7	m ³ /h	
Strøminngang på beste effektivitetspunkt	W BEP	117,0	W	
Nominell effekt til belysningssystemet	W L	4,5	W	
Gjennomsnittlig belysning til belysningssystemet på kokeflaten	E midt	133	LUX	
Strømforbruk i ventemodus	Ps	-	W	
Strømforbruk når avslått	Po	0,46	W	
Lydtrykknivå	Lwa	min./maks	53/65	dB

MILJØVERN:



Dette produktet er merket med symbolet for kildesortering av kassert elektronisk utstyr. Dette betyr at produktet ikke skal kastes sammen med husholdningsavfall men må kasseres i henhold til et system for kildesortering i samsvar med direktiv 2012/19/EU. Det vil da bli resirkulert eller demontert for å minimere påvirkningen på miljøet. Elektriske og elektroniske produkter er potensielt farlige for miljøet og menneskers helse da de inneholder farlige stoffer. Du kan få mer informasjon ved å kontakte din lokale eller regionale myndighet.

MERK:

Følgende viser hvordan man kan redusere total miljøpåvirkning (dvs. energibruk) under matlaging.

- (1) Monter avtrekkshetten på et hensiktsmessig sted med effektiv ventilasjon.
- (2) Rengjør avtrekkshetten regelmessig for ikke å blokkere luftveien.
- (3) Husk å slå av lampen på avtrekkshetten etter matlaging.
- (4) Husk å slå av avtrekkshetten etter matlaging.

INFORMASJON OM DEMONTERING

Ikke demonter apparatet på en måte som ikke er vist i bruksanvisningen. Apparatet skal ikke demonteres av brukeren. Ved slutten av livet skal apparatet ikke kastes sammen med husholdningsavfall. Forhør deg med lokal myndighet eller forhandleren for råd om resirkulering.

Importert og utelukkende markedsført av:

Power International AS,
Postboks 43, N-1483 Hagan, Norge

Power Norge:

<https://www.power.no/kundeservice/>

T: 21 00 40 00

Expert Danmark:

<https://www.expert.dk/kundeservice/>

T: 70 70 17 07

Power Danmark:

<https://www.power.dk/kundeservice/>

T: 70 33 80 80

Punkt 1 Danmark:

<https://www.punkt1.dk/kundeservice/>

T: 70 70 17 07

Expert Finland:

<https://www.expert.fi/tuki/asiakaspalvelu/>

T: 020 7100 670

Power Finland:

<https://www.power.fi/tuki/asiakaspalvelu/>

T: 0305 0305

Power Sverige:

<https://www.power.se/kundeservice/>

T: 08 517 66 000

TURVALLISUUSOHJEET

Älä tee koskaan:

- Yritä käyttää liesituuletinta ilman rasvansuodattimia, tai jos suodattimet ovat hyvin rasvaisia!
- Älä asenna sellaisen liedен yläpuolelle, jossa on korkeatasoinen grilli.
- Älä asenna sellaisen liedен yläpuolelle, jossa on grilli.
- Älä koskaan tee avotulta liesituulettimen alle.



- Jos liesituuletin on vahingoittunut, älä yritä käyttää sitä.
- Älä liekitä liesituulettimen alla.
- VAARA: Käsiksi päästävät osat voivat kuumentua ruoanlaittolaitteita käytettäessä.
- Minimietäisyyden liedен ruoanlaittoastioita tukevan pinnan ja liesituulettimen matalimman osan välillä tulee olla vähintään 65 cm. (Kun liesituuletin sijaitsee kaasulieden yläpuolella)
- Ilmaa ei saa virrata kanavaan, jota käytetään pakokaasujen poistamiseen laitteista, jotka

polttavat kaasua tai muita polttoaineita.



Tehtävä aina:

- Tärkeää! Kytke verkkovirransyöttö aina pois päältä asennuksen ja huollon aikana, kuten lamppua vaihdettaessa.
- Liesituuletin on asennettava asennusohjeiden mukaisesti ja kaikkia toimenpiteitä on noudatettava.
- Asennustyöt saa suorittaa vain asiantunteva henkilö tai pätevä sähköteknikko.
- Hävitä pakkausmateriaali huolellisesti. Se voi olla vaarallista lapsille.
- Kiinnitä huomiota teräviin reunoihin liesituulettimen sisällä, erityisesti asennettaessa ja puhdistettaessa.
- Kun liesituuletin sijaitsee kaasulieden yläpuolella, minimietäisyys liedon ruoanlaittoastioiden

tukipinnan ja
liesituulettimen
matalimman osan välillä
tulee olla:

Kaasuliedet:

75 cm

Sähköliedet

65 cm

Hiili- tai öljyliedet:

75 cm

- On suositeltavaa, ettei putkistossa ole 90 asetta jyrkempiä mutkia koska ne vähentävät liesituulettimen tehokkuutta.
- Varoitus: Jos ruuveja tai kiinnityslaitetta ei kiinnitetä näiden ohjeiden mukaisesti, seurauksena voi olla sähköiskun vaara.

Tehtävä aina:

- Aseta aina kannet kattiloiden päälle, kun valmistat ruokaa kaasuliedellä.
- Poistotilassa ollessaan liesituuletin poistaa ilmaa huoneesta. Varmista, että ilmanvaihto tapahtuu tarkoitetulla tavalla. Liesituuletin poistaa huoneesta hajuja, mutta ei höyryä.
- Liesituuletin on tarkoitettu vain kotitalouskäyttöön.



- Vaarojen välttämiseksi vahingoittuneen virtajohdon saa vaihtaa uuteen vain valmistaja, valmistajan

valtuuttama
huoltoedustaja tai
muu vastaavalla
tavalla pätevä
henkilö.

- Tätä laitetta saavat käyttää yli 8-vuotiaat lapset ja sellaiset henkilöt, joiden fyysiset tai henkiset kyvyt tai aistit ovat rajoittuneet tai joilla ei ole tarvittavaa kokemusta ja tietoa, jos heidän turvallisuudestaan vastuussa oleva henkilö valvoo tai opastaa heitä laitteen turvalliseen käyttöön ja selittää siihen kuuluvat vaarat. Lapset eivät saa leikkiä laitteella. Lapset eivät saa suorittaa puhdistustoimia tai käyttäjän

kunnossapitotöitä
ilman valvontaa.



- Varoitus: Ennen toimenpiteiden tekemistä liittimissä, kaikki virtapiirit on suljettava.

Tehtävä aina:

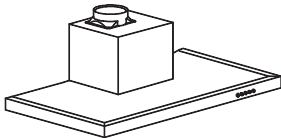

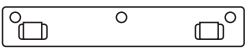


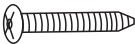
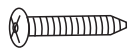


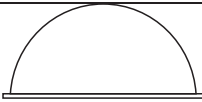
- Vaara: Laitteen kosketettavissa olevat osat voivat kuumentua käytössä. Vältä kuumennuselementtien koskettamista Alle 8-vuotiaiden lasten tulee pysytellä poissa laitteen luota, jollei heitä valvota jatkuvasti.
- Huoneessa tulee olla riittävä ilmanvaihto, kun liesituuletinta käytetään kaasulla tai muilla polttoaineilla toimivilla liesillä.
- Syntyy tulipalovaara, jollei puhdistusta suoriteta ohjeiden mukaisesti.
- Säädöksiä ilman poistamisesta tulee noudattaa.
- Puhdistuslaite säännöllisesti KUNNOSSAPITO-osassa kuvatuilla tavoilla.
- Käytä turvallisuussyistä vain tässä käyttöoppaassa suositeltuja saman kokoisia kiinnitysruuveja.
- Katso lisätietoja puhdistuksen ajankohdasta ja menetelmästä käyttöoppaan ylläpito- ja puhdistusosasta.
- Lapset eivät saa suorittaa puhdistus- tai ylläpitotoimia ilman valvontaa.
- Kun liesituuletin ja liedet, jotka toimivat muulla kuin sähköllä, ovat käytössä yhtä aikaa, huoneen alipaine ei saa olla suurempi kuin 4 Pa (4 x 10⁻⁵ baria).
- VAROITUS:
Tulipalovaara: älä säilytä mitään tavaroita

kypsennyspinnoilla.

- Höyrypuhdistinta ei saa käyttää.
- ÄLÄ KOSKAAN yritä sammuttaa tulta

vedellä, vaan kytke laite pois päältä ja peitä liekki kannella tai sammutuspeitteellä.

TOIMITUKSEEN KUULUVAT OSAT

Kuvaus	Kuva	Määrä
Liesituuletin		1
Savupiippu		2 (1 kpl sisäsavupiippu, 1 kpl ulkosavupiippu)
Seinäkannatin		1
Levy I		1
Levy II		1
Ruuvi (4 x 40 mm)		7
Ruuvi (4 x 30mm)		2
Pistorasia		9
Ruuvi (4 x 8mm)		4
V-läppä		2

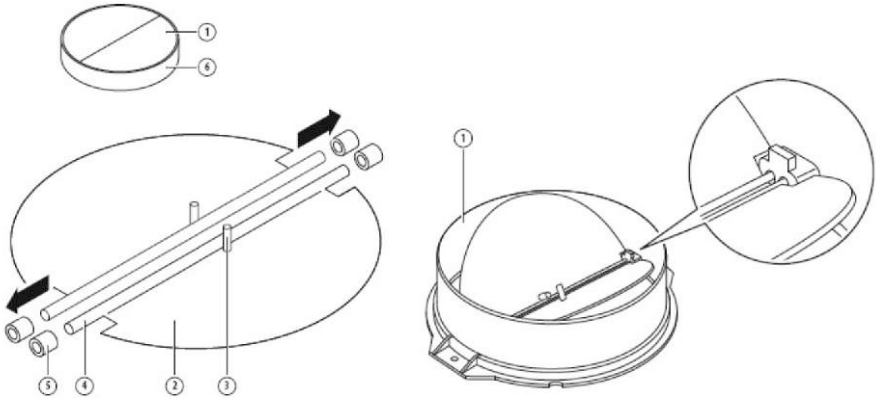
ASENNUS (ILMANVAIHTO ULOS)

V-LÄPÄN KIINNITTÄMINEN

Jos liesituulettimessa ei ole koottu V-läppä ①:tä, puoliosat tulee kiinnittää sen runkoon. Kuvat ovat vain esimerkkejä, kuinka V-läppä kiinnitetään, aukko voi olla erilainen eri mallien ja määrityksen mukaan.

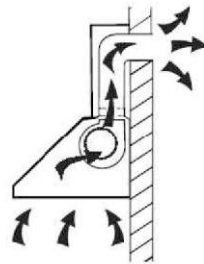
V-läppä ①:n kiinnittämiseksi sinun tulee:

- Kiinnittää kaksi puoliosaa ② runkoon ⑥
- Tangon ③ tulee olla suunnattuna ylös;
- Akseli ④:n tulee olla liitetty reikiin ⑤ rungossa;
- Toista samat toimenpiteet toiselle puoliosalle



ASENNUS

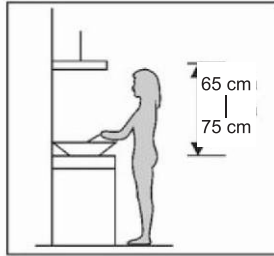
Jos käytössä on poistoväylä ulos, liesituulettimen voi liittää kuten alla olevassa kuvassa poistoputkella (emali, alumiini, joustava putki tai syttymättömällä materiaalilla, jonka sisähalkaisija on 150 mm). Huomautus: Laajennusputki ei kuulu tuotteen toimitukseen.



1. Kytke laite ennen asennusta pois päältä ja irrota se pistorasiasta.

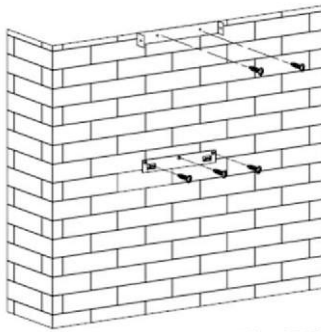


2. Liesituuletin tulee sijoittaa 65–75 cm:n etäisyydelle kuumennuspinnan yläpuolelle parhaan tehon saavuttamiseksi.



Kuva 1

3. Asenna koukku sopivaan paikkaan, kun asennuskorkeus on varmistettu ja pidä se linjassa. Sisäputken kannattimen varmistettu sijainti on savupiipun paikka. Katso Kuva 2.

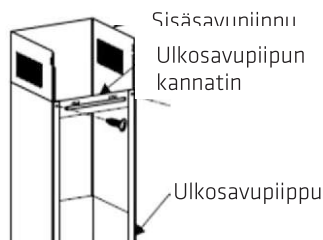


Kuva 2

4. Asenna jatkoputki ja savupiippu liesituulettimeen. Kiinnitä sen jälkeen ulkosavupiipun kannatin ulkosavupiippuun ja varmista, että sisäsavupiipun korkeutta voi säätää siinä vapaasti samoin kuin jatkopiipun kiinnitystä. Katso Kuva 3 / Kuva 4.

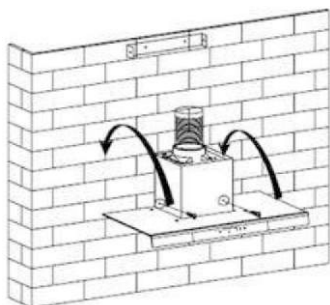


Kuva 3

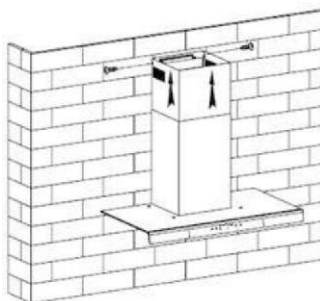


Kuva 4

5. Aseta liesituuletin koukkuun. Katso Kuva 5.



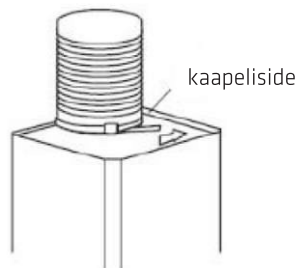
Kuva 5



Kuva 6

6. Säädä sisäsavupiipun korkeus sisäsavupiipun kannattimen sijaintiin ja kiinnitä se ruuvilla, kiinnitä sijainnin säätämisen jälkeen runko turvaruuuilla. Katso Kuva 6.

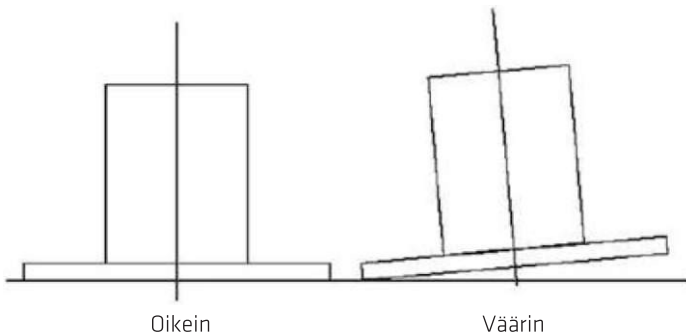
Huomautus: Kaksi halkaisijaltaan 6 mm turvallisuustuuletusaukkoa on sijoitettu kotelon taakse. Aseta jatkoputki seinän poistoaukkoon. Kiinnitä jatkoputki kaapelisiteellä seinän poistoaukkoon.



VINKKEJÄ POISTOPUTKEN ASENTAMISEEN

Seuraavia sääntöjä on noudatettava tarkasti optimaalisen ilmanpoiston saavuttamiseksi:

- Pidä jatkoputki lyhyenä ja suorassa.
- Älä pienennä kokoa tai rajoita jatkoputkea.
- Kun käytä jatkoputkea, asenna putki aina vedettynä tiukasti minimoidaksesi paineen menetyksen.
- Näiden perusohjeiden huomiotta jättäminen vähentää liesituulettimen suorituskykyä ja lisää melutasoa.
- Asennustyöt saa suorittaa vain pätevä sähkötekniikko tai asiantunteva henkilö.
- Älä liitä liesituulettimen putkijärjestelmää mihinkään muiden laitteiden käyttämään olemassa olevaan tuuletusjärjestelmään, kuten lämmittimen putki, kaasuputki, kuumailmaputki.
- Varmista asennuksen jälkeen, että liesituuletin on vaakasuorassa rasvan kertymisen välttämiseksi sen päässä.
- Varmista, että asennukseen valittu jatkoputki on asiaankuuluvien standardien mukainen ja tulenkestävä.



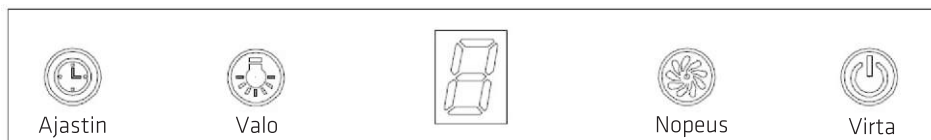
VAROITUS:



- Käytä turvallisuussyistä vain tässä käyttöoppaassa suositeltuja saman kokoisia kiinnitysruuveja.
- Jos ruuveja tai kiinnityslaitetta ei kiinnitetä näiden ohjeiden mukaisesti, seurauksena voi olla sähköiskun vaara.

Liesituulettimen käytön aloittaminen

Kosketa LED-näytön ohjainta



1. Paina "Virta"-painiketta, liesituulettimen "Päälle" ja "Pois" -painiketta.
2. Jatka "Nopeus"-painikkeen painamista, moottori toimii nopeudella matala / keski / korkea / matala / keski..., nopeus kiertää tässä järjestyksessä ja LED-näytössä näkyvät kiertäen numerot 1-2-3-1-2...
3. Paina "Valo"-painiketta. Valo menee Päälle. Paina painiketta uudelleen, valo sammuu. Painikkeen jatkuva painaminen sytyttää ja sammuttaa valoa jatkuvasti.
4. Kun liesituuletin on päällä ja painat "Ajastin"-painiketta, liesituuletin siirtyy myöntyvään toimintatilaan (myöntyväisyysaika on 9 min), jonka jälkeen LED-näytössä näkyy "9-8-7...-1-0", kun "0" näkyy näytössä, liesituuletin sammuu automaattisesti. "Ajastin"-painikkeen painamisen jatkaminen siirtää liesituulettimen "Ajastin"-toiminnon päälle tai pois.

VIANETSINTÄ

Vika	Mahdollinen syy	Ratkaisu
Valo palaa, mutta moottori ei toimi	Tuulettimen kytkin kytketty pois	Valitse tuuletinkytkimen asento.
	Tuulettimen kytkeminen epäonnistui	Ota yhteyttä huoltokeskukseen.
	Moottorivika	Ota yhteyttä huoltokeskukseen.
Valo ei pala, moottori ei toimi	Sulake palanut	Nollaa/vaihda sulakkeet.
	Virtakaapeli löysällä tai irti	Liitä kaapeli uudelleen pistorasiaan. Kytke pistorasia päälle.
Öljyvuoto	Yksisuuntainen venttiili ja ilmanvaihtoaukko eivät ole tiukasti tiivistettyjä	Irrota yksisuuntainen venttiili ja tiivistä se tiivistysaineella.
	U-muotoisen osan ja kannen liitännän vuoto	Irrota U-muotoinen osa ja tiivistä se.
Valot eivät toimi	Rikkinäiset/vialliset lamput	Vaihda lamput tämän ohjeen mukaisesti.
Riittämätön imu	Liesituulettimen ja kaasulieden välinen etäisyys on liian pitkä	Kiinnitä liesituuletin uudelleen oikealle etäisyydelle.
Liesituuletin kallellaan	Kiinnitysruuvi ei ole tarpeeksi tiukalla	Kiristä ripustusruuvi ja tee siitä vaakasuora.



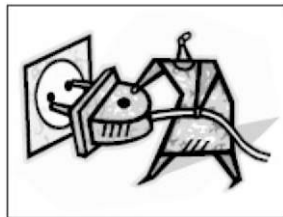
HUOMAUTUS:

Kaikkien tämän laitteen sähkötöiden tulee noudattaa paikallisia ja kansallisia lakeja. Ota yhteyttä huoltokeskukseen, jos sinulla on epäilyksiä ennen mihinkään yllä olevaan toimenpiteeseen ryhtymistä. Irrota laite aina ensin virtalähteestä, kun avaat laitteen.

KUNNOSSAPITO JA PUHDISTUS

Vaara:

- Ennen kunnossapidon ja puhdistuksen suorittamista, liesituuletin tulee irrottaa verkkovirrasta. Varmista, että liesituuletin on kytketty pois päältä irrottamalla pistoke pistorasiasta.
- Ulkopinnat ovat alttiita naarmuuntumiselle ja hioutumiselle, joten noudata puhdistusohjeita saadaksesi parhaat mahdolliset tulokset vahinkoja aiheuttamatta.



YLEISTÄ

Puhdistus ja kunnossapito tulee suorittaa laitteen ollessa kylmä, erityisesti puhdistettaessa. Älä altista pintoja emäksisille tai hapokkaille aineille (sitruunamehu, etikka).

RUOSTUMATON TERÄS

Ruostumaton teräs on puhdistettava säännöllisesti (esim. viikoittain) sen pitkän käyttöiän varmistamiseksi. Kuivaa puhtaalla, pehmeällä liinalla. Erityistä ruostumattoman teräksen puhdistusainetta voi myös käyttää.

HUOMAUTUS:

Varmista, että pyyhkiminen tapahtuu ruostumattoman teräksen pintarakenteen myötäisesti välttääksesi näkymättömien riistiinpyyhintäkuvioiden ilmaantumisen.

OHJAUSPANEELIN PINTA

Upotetun ohjauspaneelin voi puhdistaa lämpimällä pesuaineliuoksella. Varmista, että liina on puhdas ja väännetty ennen puhdistusta. Käytä kuivaa, pehmeää liinaa liian kosteuden poistamiseen puhdistuksen jälkeen.

Tärkeää

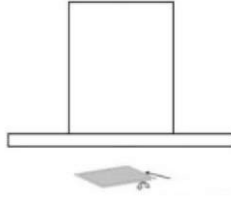
Käytä neutraaleja puhdistusaineita ja vältä voimakkaiden puhdistuskemikaalien, väkevien kotitalouspuhdistusaineiden tai tuotteiden, jotka sisältävät hiovia aineita, käyttämistä, koska ne vaikuttavat laitteen ulkoasuun ja poista mahdollisesti ohjauspaneelin somisteet ja mitätöivät valmistajan takuun.

RASVAVERKKOSUODATTIMET

Verkkosuodattimet voi puhdistaa käsin. Liota vedessä ja rasvaa irrottavassa pesuaineessa noin 3 minuuttia ja harjaa varovasti puhtaaksi pehmeällä harjalla. Älä käytä liikaa painetta, varo vahingoittamasta suodatinta. (Anna sen kuivua

luonnollisesti poissa auringonpaisteesta)

Suodattimet tulee pestä erillään asioista ja keittiövälineistä. Huuhteluaineen käyttö ei ole suositeltavaa.



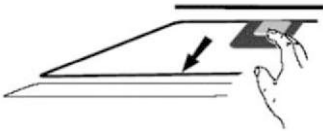
RASVAVERKKOSUODATTIMIEN ASENNUS

- Asenna suodattimet näiden neljän ohjeen mukaisesti (katso kuva alla):
 - Aseta suodatin kulmaan aukkoihin liesituulettimen takana.
 - Paina suodattimen kahvassa olevaa painiketta.
 - Vapauta kahva, kun suodatin kiinnittyy lepoasentoonsa.
 - Toista asentaaksesi kaikki suodattimet.

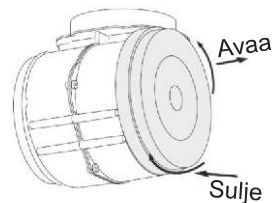
HIILISUODATIN - ei kuulu tuotteen toimitukseen

Hiilisuodatinta voidaan käyttää hajujen suodattamiseen. Hiilisuodatin tulee vaihtaa normaalisti kolmesta kuuden kuukauden välein ruoanvalmistustapasi mukaan. Hiilisuodattimen asennustoimenpide on seuraava.

1. Ennen hiilisuodattimien asennusta tai vaihtoa, kytke laitteen virta pois päältä.
2. Paina suodattimen lukkoa ja irrota verkkosuodatin.




3. Kierrä molemmilla puolilla moottoria olevia hiilisuodattimia vastapäivään. Vaihda hiilisuodattimet uusiin.
4. Aseta verkkosuodatin paikalleen.
5. Liitä virtakaapeli seinäpistorasiaan



HUOMAUTUS:

- Varmista, että suodatin on lukittu kunnolla. Muuten se voi löystyä ja aiheuttaa vaaran.
- Kun hiilisuodatin on kiinnitetty, imuteho laskee.

LAMPUN VAIHTAMINEN

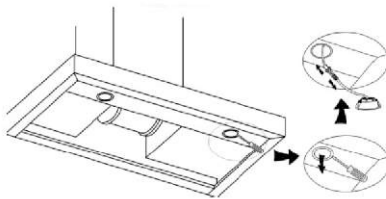
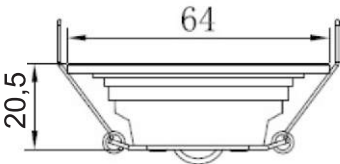
<p>Tärkeää:</p> 	<ul style="list-style-type: none">✧ Lampun voi vaihtaa valmistaja, tämän huoltoedustaja tai vastaavasti pätevä henkilö. Ottakaa yhteyttä asiakaspalveluun lisätietoja varten.✧ Kytke virransyöttö aina pois päältä ennen minkään huoltotoimenpiteen tekemistä laitteelle. Kun käsittelet lampua, varmista, että se on kokonaan jäähtynyt ennen suoraa kosketusta.✧ Käsitellessäsi lampuja pitele niin liinalla tai hansikkailla varmistaaksesi, että hiki joudu kosketuksiin lampun kanssa, koska se voi lyhentää lampun käyttöikää.
---	--

LED-VALOT

1. Kytke laite ensin pois päältä ja irrota pistoke pistorasiasta.
2. Odota, kunnes lamppu on kokonaan jäähtynyt ennen vaihtamista.
3. Irrota välisuodatin ja irrota kehys ruuvitaltalla, kuten alla olevassa kuvassa
4. Aseta saman tyyppinen lamppu paikalleen (Maks. 2 W LED)

Huomautus: Lampun saa vaihtaa vain pätevä huoltohenkilöstö

- Tämän lampun ILCOS D -koodi on: DBR-2/65-H-64
- LED-moduulit – pyöreä lamppu
- Mitat:



Tekniset tiedot:

Mallinumero: PHT60STL18 & PHT90STL18.

Nimellisjännite: 220-240V~, 50Hz.

Nimellismuottoriteho: 125W.

Lampun teho: 2*2 W.

Kokonaisteho: 129W

Liesituuletin		Tietotaulukko		
Tuotemerkin nimi	POINT			
Tyyppi/malli	PHT60STL18			
Vuotuinen energiankulutus	AEC- liesituuletin	67,3	kWh	
Energiatehokkuusindeksi	EEl- liesituuletin	82,0	-	
Nesteen dynaaminen tehokkuus	FDE- liesituuletin	13,0	-	
Valaistustehokkuus (wattia)	LE- liesituuletin	33,6	lux/W	
Rasvansuodatusnopeus (%)	GFE- liesituuletin	82,1	-	
Ilmavirran nopeus parhaassa tehokkuuskohdassa	Q BEP	254,1	m ³ /h	
Ilmanpaine parhaassa tehokkuuskohdassa	P BEP	216	Pa	
Maksimi ilmavirta	Q maks	504,4	m ³ /h	
Toimintapisteiden korkein asetus		479,6	m ³ /h	
Toimintapisteiden matalin asetus		288,7	m ³ /h	
Sähkötehonsyöttö parhaassa tehokkuuskohdassa	W BEP	117,0	W	
Valaistusjärjestelmän nimellisteho	W L	4,5	W	
Valaistusjärjestelmän keskimääräinen valo ruoanlaittopinnalla	E keski	151	LUX	
Virrankulutus valmiustilassa	Ps	-	W	
Virrankulutus pois päältä - tilassa	Po	0,46	W	
Äänitehon taso	Lwa	min./maks.	53/65	dB

Liesituuletin		Tietotaulukko		
Tuotemerkin nimi	POINT			
Tyyppi/malli	PHT90STL18			
Vuotuinen energiankulutus	AEC- liesituuletin	67,3	kWh	
Energiatehokkuusindeksi	EEI- liesituuletin	82,0	-	
Nesteen dynaaminen tehokkuus	FDE- liesituuletin	13,0	-	
Valaistustehokkuus (wattia)	LE- liesituuletin	29,6	lux/W	
Rasvansuodatusnopeus (%)	GFE- liesituuletin	82,1	-	
Ilmavirran nopeus parhaassa tehokkuuskohdassa	Q BEP	254,1	m ³ /h	
Ilmanpaine parhaassa tehokkuuskohdassa	P BEP	216	Pa	
Maksimi ilmavirta	Q maks	504,4	m ³ /h	
Toimintapisteiden korkein asetus		479,6	m ³ /h	
Toimintapisteiden matalin asetus		288,7	m ³ /h	
Sähkötehonsyöttö parhaassa tehokkuuskohdassa	W BEP	117,0	W	
Valaistusjärjestelmän nimellisteho	W L	4,5	W	
Valaistusjärjestelmän keskimääräinen valo ruoanlaittopinnalla	E keski	133	LUX	
Virrankulutus valmiustilassa	Ps	-	W	
Virrankulutus pois päältä -tilassa	Po	0,46	W	
Äänitehon taso	Lwa	min./maks.	53/65	dB

YMPÄRISTÖNSUOJELU



Tämä tuote on merkitty sähkölaiteromun valikoivan lajittelun symbolilla. Tämä tarkoittaa, että tätä tuotetta ei saa hävittää kotitalousjätteen mukana, vaan tuettuun valikoivaan keräysjärjestelmään 2012/19/EU-direktiivin mukaisesti. Tällöin tuote kierrätetään tai puretaan ympäristövaikutusten minimoimiseksi. Sähköiset ja elektroniset tuotteet ovat potentiaalisesti vaarallisia ympäristölle ja ihmisten terveydelle niiden vaarallisten aineiden vuoksi. Saat lisätietoja paikallisilta tai alueellisilta viranomaisilta.

HUOMAUTUS:

Seuraavassa näytetään, kuinka vähennetään kokonaisympäristövaikutusta (eli energiankulutusta) kypsennysprosessissa.

- (1) Asenna liesituuletin oikeaan paikkaan, jossa on tehokas ilmanvaihto.
- (2) Puhdista liesituuletin säännöllisesti, jotta sen ilmakanava ei tukkeudu.
- (3) Muista kytkeä liesituulettimen lamppu pois päältä ruoanlaiton jälkeen.
- (4) Muista kytkeä liesituuletin pois päältä ruoanlaiton jälkeen.

PURKAMISOHJEET

Älä pura laitetta tavalla, jota ei ole selitetty käyttöoppaassa. Käyttäjä ei saa purkaa laitetta. Laitetta ei saa käyttöikänsä päässä saa hävittää kotitalousjätteen mukana. Kysy paikallisilta viranomaisilta tai jälleenmyyjältä kierrätysohjeita.

Maahantuonti ja markkinointi yksinoikeudella:

Power International AS,
PO Box 43, N-1483 Hagan, Norway

Power Norjassa:

<https://www.power.no/kundeservice/>

P: 21 00 40 00

Expert Tanskassa:

<https://www.expert.dk/kundeservice/>

P: 70 70 17 07

Power Tanskassa:

<https://www.power.dk/kundeservice/>

P: 70 33 80 80

Punkt 1 Tanskassa:

<https://www.punkt1.dk/kundeservice/>

P: 70 70 17 07

Expert Suomessa:

<https://www.expert.fi/tuki/asiakaspalvelu/>

P: 020 7100 670

Power Suomessa:

<https://www.power.fi/tuki/asiakaspalvelu/>

P: 0305 0305

Power Sverige:

<https://www.power.se/kundeservice/>

P: 08 517 66 000

SIKKERHEDSANVISNINGER

Gør aldrig følgende:

- Brug aldrig emhætten uden monterede fedtfiltere samt hvis filterene er for snavsede!
- Monter ikke over et komfur med høj grill.
- Efterlad ikke stegepander uden opsyn, når de er i brug, da overophedet fedt eller olie kan bryde i brand.
- Efterlad aldrig åbne flammer under emhætten.



- Hvis emhætten er beskadiget, må du ikke bruge den.

- Foretag ikke flambering under emhætten.
- **FORSIGTIG:** Tilgængelige dele kan blive varme, når du bruger kogepladerne.
- Mindsteafstanden mellem komfurets overflade og emhættens nederste del er 65 cm (når emhætten monteres over et gaskomfur).
- Aftræksluften må ikke ledes sammen med aftræk fra komfur med gas eller andre brandbare stoffer.



Husk altid:

- Vigtigt! Sluk altid for hovedstrømafbryderen eller HPFI-relæet, når emhætten monteres eller serviceres, herunder hvis du fx skal skifte en pære i emhætten.
- Emhætten skal monteres iht. monteringsvejledningen, og alle angivne mål skal overholdes.
- Alt monteringsarbejde skal udføres af en kompetent person eller autoriseret elektriker.
- Bortskaf emballagen korrekt. Må ikke overlades til børn.
- Vær opmærksom på de skarpe kanter indeni emhætten, og særligt under montering og rengøring.
- Hvis emhætten monteres over et gaskomfur, er mindsteafstanden

mellem komfurets overflade og emhættens nederste dele:

Gaskomfur: 75 cm

Elektrisk komfur: 65 cm

Kul- eller oliebaseerede kogeapparater: 75 cm

- Aftrækskanalen bør ikke have bøjninger, som er skarpere end 90 grader, da dette vil reducere emhættens effektivitet.
- Advarsel: Hvis monteringen af skruer eller beslag ikke foretages iht. denne vejledning, kan det medføre elektrisk stød.

Husk altid:

- Læg altid lå på gryder og pander, når du bruger et gaskomfur.
- Når emhætten er i brug, trækkes luft ud af rummet. Sørg for at have tilstrækkelig med ventilation. Emhætten fjerner lugt fra lokalet, men ikke nødvendigvis damp.
- Emhætten er kun til husholdningsbrug.



- Hvis strømkablet beskadiges, skal det udskiftes af producenten, dennes servicerepræsentant eller en tilsvarende kvalificeret fagmand, så enhver risiko undgås.
- Dette apparat må ikke bruges af børn under 8 år og personer

med nedsatte fysiske, sansemæssige eller mentale evner, eller med mangel på erfaring eller viden, hvis de ikke er under opsyn eller er blevet instrueret i, hvordan dette apparat bruges sikkert og forstår risikoen ved at bruge det. Børn må ikke lege med dette apparat. Rengøring og vedligeholdelse må ikke udføres af børn uden opsyn.



- Advarsel: Før du åbner for adgang til strømterminaler, skal du afbryde strømmen.

Husk altid:

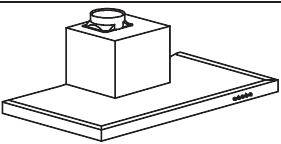

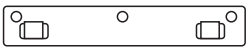
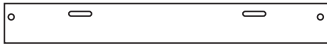

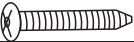
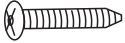



- Forsigtig: Apparatet og dets tilgængelige dele bliver varme under brug. Undgå at røre ved varmeelementerne. Børn under 8 år bør kun være til stede under permanent opsyn.
 - Der skal være tilstrækkelig med ventilation i lokalet, når emhætten er i brug samtidig med at der bruges apparater, der brænder gas eller andre brændstoffer.
 - Der er brandrisiko, hvis du ikke foretager rengøring iht. instruktionerne.
 - Alle regler vedrørende afledning af luft skal overholdes.
 - Rengør jævnligt apparatet iht. fremgangsmåden, der er beskrevet i afsnittet VEDLIGEHODELSE.
- Af sikkerhedsmæssige årsager bør du altid bruge den størrelse beslag og skruer som angives i denne brugervejledning.
 - For yderligere oplysninger om hyppighed og fremgangsmåde ved rengøring henvises til afsnittet om vedligeholdelse og rengøring i brugervejledningen.
 - Børn må ikke udføre rengørings- eller vedligeholdelsesarbejde uden opsyn.
 - Hdu samtidig med emhætten bruger apparater, der bruger andet end elektricitet, må undertrykket i lokalet ikke overstige 4 Pa (4×10^{-5} bar).
 - ADVARSEL: Brandfare: Genstande må ikke opbevares på

kogepladen.

- Apparatet må ikke rengøres med damp.
- Prøv ALDRIG på at slukke en ild med vand,

men sluk i stedet for apparatet og tildæk ilden med fx et låg eller et brandtæppe.

MEDFØLGENDE DELE

Beskrivelse	Illustration	Antal
Emhætte		1
Aftrækskanal		2 (1 stk. indvendig og 1 stk. udvendig aftrækskanal)
Vægbeslag		1
Plade I		1
Plade II		1
Skrue (4mm x 40mm)		7
Skrue (4mm x 30mm)		2
Rawlplugs		9
Skrue (4mm x 8mm)		4
V-flap		2

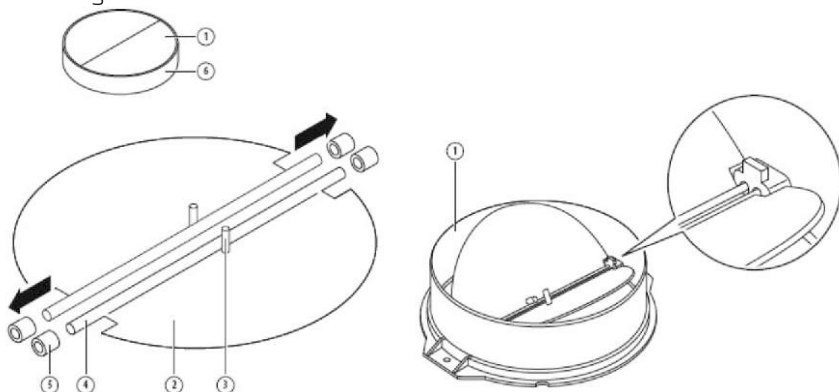
MONTERING (UDVENDIGT AFTRÆK)

MONTERING AF V-FLAPPEN

Hvis emhætten ikke leveres med en allerede samlet V-flap ①, skal du selv samle den. Billederne viser kun et eksempel på, hvordan du kan montere V-flappen. Det præcise udseende kan variere alt efter model og konfiguration.

Sådan samler du V-flappen ①:

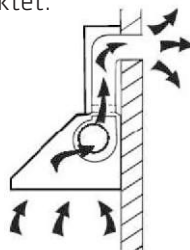
- Monter de to halvdele ② på rammen ⑥
- Palen ③ skal vende op.
- Akslen ④ skal sættes ind i hullerne ⑤ på rammen.
- Gentag dette for den anden halvdel.



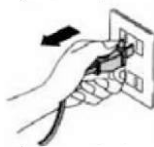
INSTALLATION

Hvis du har udendørs aftræk, kan du tilslutte emhætten som vist på nedenstående billede vha. en aftrækskanal (støbejern, aluminium, flexrør eller andet ikke-brandbart materiale med en indvendig diameter på 150 mm).

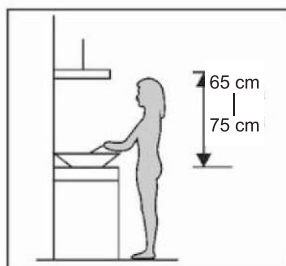
Bemærk: Forlængerrøret følger ikke med produktet.



1. Før montering skal du slukke for apparatet og trække det ud af stikkontakten.

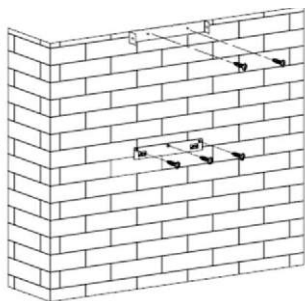


2. Emhætten bør placeres i en afstand på 65-75 cm over komfurets overflade for at få den bedste effekt.



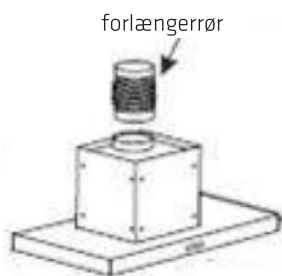
Billede 1

3. Monter emhætten et egnet sted, når du har fastslået monteringshøjden, og sørg for at den sidder vandret. Den fastsatte position for beslaget til det indvendige aftræk bestemmer aftrækkets placering. Se billede 2.

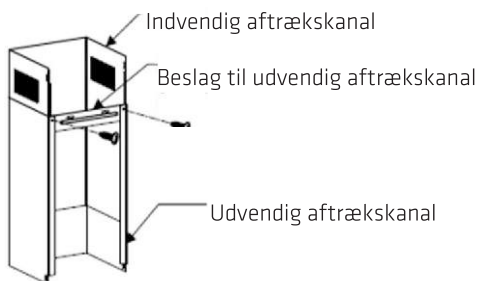


Billede 2

4. Monter derefter den samlede aftrækskanal på emhætten. Sæt derefter beslaget til den udvendige aftrækskanal på kanalen og sørg for, at den indvendige aftrækskanal kan justeres frit i højden og forlænge den samlede aftrækskanal. Se billede 3/4.

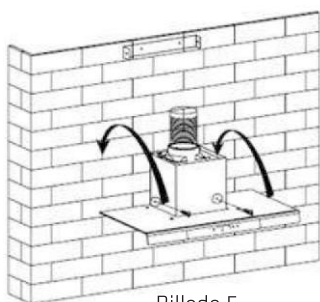


Billede 3

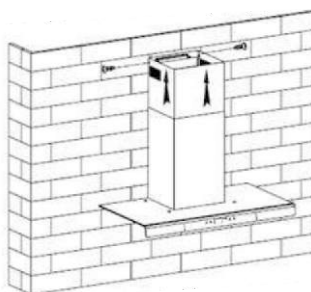


Billede 4

5. Hæng emhætten på beslaget. Se billede 5.

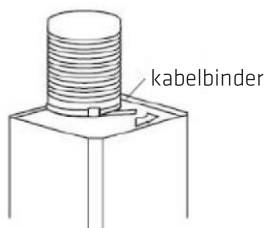


Billede 5



Billede 6

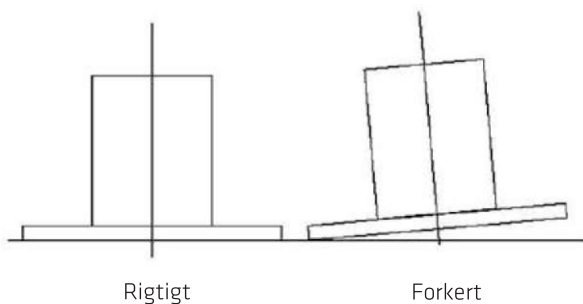
6. Juster højden af den indvendige aftrækskanal så den passer til beslaget til den indvendige aftrækskanal og fastgør med skruer. Når du har justeret positionen, fastgør du selve emhætten med sikkerhedsskruer. Se billede 6.
Bemærk: De to sikkerhedshuller sidder bag på emhætten. De har en diameter på 6 mm. Læg forlængerrøret til vægaftrækket. Sæt forlængerrøret på vægaftrækket med en kabelbinder.



TIP TIL MONTERING AF AFTRÆKSKANAL

Følgende forholdsregler bør overholdes for at opnå optimalt aftræk:

- Forlængerrøret bør være kort og lige.
- Undlad at afkorte forlængerrøret.
- Forlængerrøret skal altid sidde fast, så du undgår tryktab.
- Hvis du ikke overholder disse forholdsregler, reduceres emhættens ydeevne og dens støjniveau kan forøges.
- Montering skal altid udføres af en autoriseret elektriker eller en anden kompetent person.
- Tilslut ikke aftrækssystemet fra emhætten til et eksisterende ventilationssystem, som bruges til andre apparater som fx opvarmning, gasrør eller leverings af varmluft.
- Efter monteringen skal du kontrollere, at emhætten er i vatter, så du undgår, at der samler sig fedt i den ene ende.
- Sørg for at det valgte aftræksrør overholder de relevante standarder og er brandhæmmende.



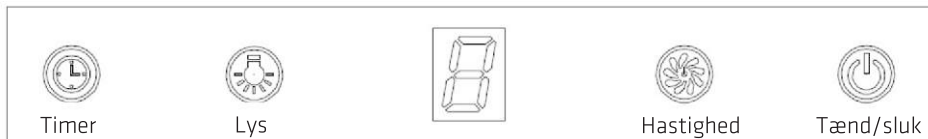
ADVARSEL:



- Af sikkerhedsmæssige årsager bør du altid bruge den størrelse beslag og skruer som angives i denne brugervejledning.
- Hvis monteringen af skruer eller beslag ikke foretages iht. denne vejledning, kan det medføre elektrisk stød.

Sådan bruger du din emhætte

Touchbetjening med LED-display



1. Tryk på "Tænd/sluk"- positionen "tændt" eller "slukket" på emhætten.
2. Tryk gentagne gange på "Hastighed", hvorved motoren kører ved hastighederne lav / middel / høj / lav / middel... osv. LED-displayet viser tilsvarende 1-2-3-1-2....
3. Tryk på "Lys", og lyset tænder. Tryk igen, og lyset slukker. Hver gang du trykker, skiftevis slukker og tænder lyset.
4. Når emhætten er i gang, kan du trykke på "Timer", hvorved den vil køre et bestemt stykke tid (9 minutter), hvorefter LED-displayet vil vise "9-8-7...-1-0". Emhætten slukker automatisk ved "0". Hvis du holder "Timer"-knappen nede, vil emhætten skiftevis gå ind og ud af "Timer"-funktionen.

FEJLFINDING

Fejl	Mulig årsag	Løsning
Lyset er tændt, men motoren vil ikke køre.	Ventilatorknappen er slukket.	Vælg en anden indstilling for ventilatorknappen.
	Ventilatorknappen er gået i stykker	Kontakt servicecenter.
	Motor fejler	Kontakt servicecenter.
Lyset virker ikke og motoren virker ikke.	Der er måske gået en sikring, eller HPFI-relæet er slået fra	Tjek sikringerne.
	Et strømkabel er løst eller afbrudt	Sæt kablet korrekt til stikkontakten igen. Tænd for stikkontakten.
Olielækage	Envejsventil eller luftindtaget er ikke forsegllet tilstrækkeligt	Afmonter envejsventilen og forsegl den korrekt.
	Lækage fra tilslutningen af den U-formede del og afdækningen	Afmonter den U-formede del og forsegl den.
Lyset virker ikke	Pæren er gået	Udskift pæren iht. instruktionerne.
Utilstrækkelig sugsevne	Afstanden mellem emhætten og komfurets overdel er for stor	Flyt emhætten, så den har korrekt afstand.
Emhætten hælder	Monteringskruen er ikke spændt til	Spænd ophængsskruen og indstil den vandret.



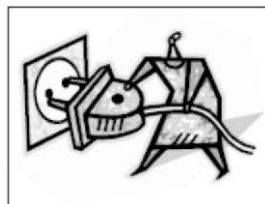
BEMÆRK:

Eventuelle reparationer af det elektriske system skal overholde gældende lovgivning. Kontakt servicecenteret, hvis du er i tvivl, før du foretager dig noget af ovenstående. Du skal altid afkoble enheden fra strømmen, inden du åbner for enheden.

VEDLIGEHOVELSE OG RENGØRING

Forsigtig:

- Før du foretager vedligeholdelse eller rengøring, skal du afbryde emhætten fra strømmen. Kontroller at emhætten er slukket på stikkontakten, og at stikket er trukket ud af stikkontakten.
- Udvendige overflader kan blive ridset eller slidte, så du bør følge rengøringsvejledningen for at sikre det bedst mulige resultat uden at beskadige enheden.



GENERELT

Rengøring og vedligeholdelse bør udføres mens apparatet er koldt. Undgå at efterlade basiske eller syreholdige stoffer (citronsaft, eddike) på overfladerne.

RUSTFRIT STÅL

Emhættens rustfri stål skal rengøres jævnlgt (fx en gang om ugen) for at sikre en lang levetid. Aftør med en ren og blød klud. Du kan eventuelt anvende en særlig rengøringsvæske til rustfrit stål.

BEMÆRK:

Sørg for at aftørre overfladerne i en ensartet retning på det rustfrie stål, da du ellers kan risikere at lave mikroridser på kryds og tværs.

BETJENINGSPANELETS OVERFLADE

Betjeningspanelets indlæg kan rengøres i varmt sæbevand. Kluden skal være ren og hårdt opvredet. Brug en tør, blød klud til at fjerne overskydende fugt efter rengøring.

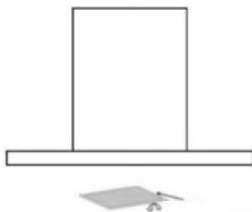
Vigtigt

Brug neutrale rengøringsmidler og undgå at bruge kraftige rengøringsmidler som fx opvaskemidler eller produkter, der indeholder slibemidler, da dette vil påvirke apparatets udseende og eventuelt fjerne påtrykte tegn og figurer fra kontrolpanelet. Desuden vil det ugyldiggøre produktgarantien.

FEDTFILTRE

Fedtfiltrene kan rengøres i hånden. Læg dem i blød i ca. 3 minutter i vand tilsat et fedtopløsende rengøringsmiddel, og børst dem forsigtigt rene med en blød børste. Tryk ikke for hårdt, da det kan beskadige filteret. (Læg det til tørre i køkkenet, dog ikke i direkte sollys)

Filtrene bør vaskes adskilt fra andet køkkenudstyr. Du bør ikke bruge skyllemiddel.



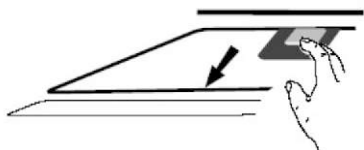
SÅDAN SÆTTER DU FEDTFILTRENE I

- Isætning af fedtfiltrene sker i 4 trin (se nedenstående billede):
 - Sæt filtrene i en vinkel ind i hakkerne bagerst i emhætten.
 - Tryk på knappen på filterhåndtaget.
 - Slip håndtaget, når filteret sidder korrekt på plads.
 - Gentag for de øvrige filtre.

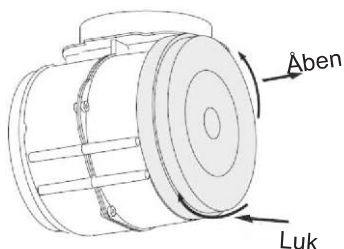
KULFILTER - medfølger ikke produktet

Du kan bruge et kulfilter til at opsamle dårlig lugt. Normalt bør kulfiltre udskiftes hver 3-6 måneder alt efter dine madlavningsvaner. Installationsproceduren for et kulfilter er som vist nedenfor.

1. Før du installerer eller fjerner kulfiltrene, skal du slukke for strømmen til apparatet.
2. Tryk på filterknappen og tag fedtfilteret ud.



3. Drej kulfilteret på begge sider af motoren mod uret. Udskift kulfiltrene med nye.
4. Anbring fedtfilteret.
5. Sæt stikket i stikkontakten.



BEMÆRK:

- Kontroller at filteret er sat godt på plads. Ellers kan det løsnese forårsage skader.
- Hvis du monterer et kulfilter, vil sugekraften blive reduceret.

UDSKIFTNING AF PÆRE

Vigtigt:



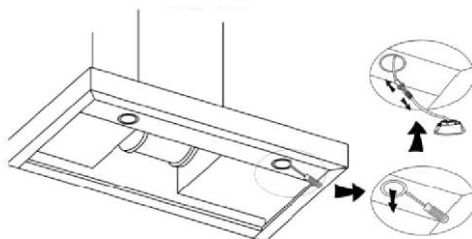
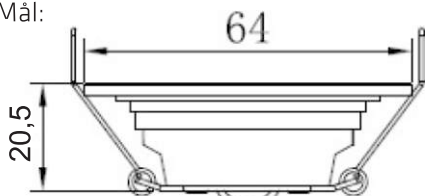
- ❖ Pæren skal skiftes af producenten, en servicetekniker eller en tilsvarende kvalificeret person. Kontakt kundeservice for yderligere hjælp.
- ❖ Sluk altid helt for strømmen, før du foretager nogen som helst forberedelse for vedligeholdelse af apparatet. Pæren skal være kølet helt af, før du berører den.
- ❖ Håndter altid pæren ved at holde om den med en klud eller med handsker, så dine hænder ikke kommer i direkte kontakt med pæren, hvilket kan reducere dens holdbarhed.

LED-LYS

1. Sluk først for apparatet og træk stikket ud af stikkontakten.
2. Vent med at skifte pæren før den er kølet helt af.
3. Tag baffle-filteret ud og tag rammen ud med en skruetrækker som vist på nedenstående billede
4. Udskift pæren med en pære af samme type (LED 2W maks.)

Bemærk: Udskift af lys bør kun udføres af en kvalificeret person.

- ILCOS D-koden for denne pære er: DBR-2/65-H-64
- LED-moduler - rund pære
- Mål:



Specifikationer:

Modelnummer: PHT60STL18 & PHT90STL18

Nominal spænding: 220-240V~, 50Hz

Opgivet motoreffekt: 125W

Pærens effekt: 2*2W

Emhætte Dataark

Emhætte Dataark				
Varemærke	POINT			
Type / Model	PHT60STL18			
Årligt energiforbrug	AEC emhætte	67,3		kWh
Energy Efficiency Index (Energieffektivitetsindeks)	EEl emhætte	82,0		-
Fluid Dynamic Efficiency (Fluiddynamikeffektivitet)	FDE emhætte	13,0		-
Lighting efficiency (Lyseffektivitet) (i watt)	LE emhætte	33,6		lux/W
Grease Filtering rate (Fedtfiltreringsrate) (i %)	GFE emhætte	82,1		-
Luftmængde ved bedste driftspunkt	Q BEP	254,1		m ³ /h
Lufttryk ved bedste driftspunkt	P BEP	216		Pa
Maks. luftstrøm	Q maks	504,4		m ³ /h
Arbejdspunkt, højeste indstilling		479,6		m ³ /h
Arbejdspunkt, laveste indstilling		288,7		m ³ /h
Elektrisk input ved bedste driftspunkt	W BEP	117,0		W
Nominel effekt for belysningssystemet	W L	4,5		W
Gennemsnitlig belysning fra belysningssystemet på kogefladen	E middel	151		LUX
Strømforbrug i standby	Ps	-		W
Strømforbrug i slukket tilstand	Po	0,46		W
Lydeffektniveau	Lwa	min./maks.	53/65	dB

Emhætte Dataark				
Varemærke	POINT			
Type / Model	PHT90STL18			
Årligt energiforbrug	AEC emhætte	67,3	kWh	
Energy Efficiency Index (Energieffektivitetsindeks)	EEL emhætte	82,0	-	
Fluid Dynamic Efficiency (Fluiddynamikeffektivitet)	FDE emhætte	13,0	-	
Lighting efficiency (Lyseffektivitet) (i watt)	LE emhætte	29,6	lux/W	
Grease Filtering rate (Fedtfiltreringsrate) (i %)	GFE emhætte	82,1	-	
Luftmængde ved bedste driftspunkt	Q BEP	254,1	m ³ /h	
Lufttryk ved bedste driftspunkt	P BEP	216	Pa	
Maks. luftstrøm	Q maks	504,4	m ³ /h	
Arbejds punkt, højeste indstilling		479,6	m ³ /h	
Arbejds punkt, laveste indstilling		288,7	m ³ /h	
Elektrisk input ved bedste driftspunkt	W BEP	117,0	W	
Nominel effekt for belysningssystemet	W L	4,5	W	
Gennemsnitlig belysning fra belysningssystemet på kogepladen	E middel	133	LUX	
Strømforbrug i standby	Ps	-	W	
Strømforbrug i slukket tilstand	Po	0,46	W	
Lydeffektniveau	Lwa	min./maks.	53/65	dB

MILJØBESKYTTELSE:



Dette produkt er mærket med symbolet for affaldssortering for elektronisk udstyr. Dette betyder, at dette produkt ikke må bortskaffes sammen med husholdningsaffald, men skal afleveres til genbrug i overensstemmelse med direktiv 2012/19/EU. Det vil så blive genbrugt eller demonteret for at minimere miljøpåvirkninger. Elektriske og elektroniske produkter er potentielt farlige for miljøet og menneskers sundhed på grund af tilstedeværelsen af farlige stoffer. Kontakt din lokale eller regionale myndighed for yderligere information.

BEMÆRK:

Nedenstående viser, hvordan man reducerer den samlede miljøpåvirkning (fx energiforbrug) i tilberedningsprocessen).

- (1) Monter emhætten et passende sted med effektiv udluftning.
- (2) Rengør emhætten jævnligt, så luftvejene ikke blokeres.
- (3) Husk at slukke for emhættens lys efter madlavning.
- (4) Husk at slukke for emhætten efter madlavning.

OPLYSNINGER OM ADSKILLELSE

Adskil ikke apparatet er på måder, der ikke er beskrevet i denne brugervejledning. Apparatet kan ikke adskilles af brugeren. Når apparatet er udtjent, må det ikke bortskaffes med almindeligt husholdningsaffald. Du kan få flere oplysninger om genbrug hos din lokale kommune.

Importerer og markedsføres udelukkende af:

Power International AS,
PO Box 43, N-1483 Hagan, Norway

Power Norge:

<https://www.power.no/kundeservice/>

T: 21 00 40 00

Expert Danmark:

<https://www.expert.dk/kundeservice/>

T: 70 70 17 07

Power Danmark:

<https://www.power.dk/kundeservice/>

T: 70 33 80 80

Punkt 1 Danmark:

<https://www.punkt1.dk/kundeservice/>

T: 70 70 17 07

Expert Finland:

<https://www.expert.fi/tuki/asiakaspalvelu/>

T: 020 7100 670

Power Finland:

<https://www.power.fi/tuki/asiakaspalvelu/>

T: 0305 0305

Power Sverige:

<https://www.power.se/kundeservice/>

T: 08 517 66 000

SÄKERHETSINSTRUKTIONER

Gör aldrig:

- Försök inte att använda flätkåpan utan fettfilter eller om filtren är väldigt fettiga!
- Montera aldrig flätkåpan ovanför en högt placerad grill.
- Lämna inte stekjärn utan uppsikt under, eftersom överhettat fett eller olja kan börja brinna.
- Lämna aldrig öppen eld under en flätkåpa.



- Gör inga försök att använda om flätkåpan är skadad.
- Flambra inte under flätkåpan.
- **FÖRSIKTIGHET:**
Åtkomliga delar kan bli

varma när de används med matlagingsanordningar.

- Avståndet mellan stödytan för kokkärnen på hällen och underkanten på flätkåpan ska vara minst 65 cm (när flätkåpan är placerad ovanför en gasdriven apparat)
- Luften får inte släppas ut i flödet som används för avgaserna från apparater som bränner gas eller bränsle.



Gör alltid:

- Viktigt! Stäng alltid av strömmen vid vägguttaget vid installation och service, som vid byte av lampa.
- Fläkten måste installeras i enlighet med installationsanvisningarna och alla mått måste följas.
- Allt installationsarbete måste utföras av en kompetent person eller kvalificerad elektriker.
- Kassera förpackningsmaterialet med omsorg. Barn kan ta ska av det.
- Var uppmärksam på vassa kanter inuti flätkåpan, speciellt under installation och rengöring.
- När flätkåpan är placerad ovanför en gasdriven apparat, måste minsta avståndet mellan stödytan för kokkärlet på hällen och underkanten på flätkåpan ska vara minst:
 - Gasspisar: 75 cm
 - Elektriska pisar: 65 cm
 - Kål- eller oljeeldade pisar: 75 cm
- Vi rekommenderar att röret inte har skarpare krökar än 90 grader, eftersom det reducerar flätkåpanns effektivitet.
- Varning: Om skruvarna eller fästansordningen inte monteras i enlighet med dessa instruktioner, kan det leda till elektriska risker.

Gör alltid:

- Använd alltid lock på kokkärl och stekpannor när du använder en gasspis.
- När flätkåpan är i utsugsläge, suger den ut luften i rummet. Försäkra dig om att det finns tillräcklig ventilation. Flätkåpan suger ut dålig lukt från rummet, men inte ånga.
- Flätkåpan är endast avsedd för hemmabruk.



- Om elkabeln är skadad så måste den ersättas av tillverkaren, dess servicerepresentant eller av motsvarande behörig person, för att undvika fara.
- Denna apparat får användas av barn från

8 år och uppåt och personer med nedsatt fysisk, sensorisk eller mental förmåga eller av personer som saknar erfarenhet och kunskap om det sker under uppsyn eller om de får anvisningar om hur man använder apparaten på ett säkert sätt och är medveten om riskerna. Barn får inte leka med apparaten. Rengöring och underhåll bör inte utföras av barn utan tillsyn.



- Varning: Innan du öppnar terminalerna ska alla strömkretsar kopplas ifrån.

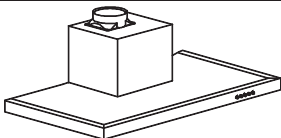
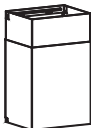
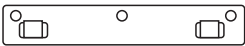


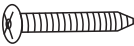
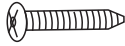



Gör alltid:

- Försiktighet: Enheten och de åtkomliga delarna kan bli varma under användning. Var försiktig och undvik att vidröra värmeelementen. Barn under 8 ska inte befinna sig i närheten utan permanent tillsyn från vuxen.
- Det måste finnas tillfredsställande ventilation i rummet när flätkåpan används samtidigt som man använder apparaten som drivs med gas eller andra bränslen.
- Det finns en risk för brand om man inte följer instruktionerna vid rengöring.
- Föreskrifter för utsläpp av luft måste uppfyllas.
- Rengör apparaten periodiskt genom att följa metiden som anges i avsnittet UNDERHÅLL.
- Av säkerhetsskäl ska endast fäst- eller monteringskruvar av samma storlek som de i bruksanvisningen rekommenderade användas.
- Beträffande information om rengöringsfrekvens, se avsnittet för underhåll och rengöring i bruksanvisningen.
- Rengöring och underhåll bör inte utföras av barn utan tillsyn.
- När den levererade flätkåpan och apparater med annan energi än elektricitet är i drift samtidig, får rummets negativa tryck inte överskrida 4 Pa (4×10^{-5} bar).
- VARNING: Brandrisk: förvara inte föremål på tillagningsytor.
- Använd inte ångtvätt.
- Försök ALDRIG att släcka

eld med vatten, utan
stäng av apparaten och

täck lågorna med t. ex.
ett lock eller en brandfilt.

TOIMITUKSEEN KUULUVAT OSAT

Beskrivning	Bild	Ant.
Fläktkåpa		1
Skorsten		2 (1 st för ventilationsrör, 1 st för täckplåt)
Väggfäste		1
Platta I		1
Platta II		1
Skruv (4 mm x 40 mm)		7
Skruv (4 mm x 30 mm)		2
Väggplugg		9
Skruv (4 mm x 8 mm)		4
V-klaff		2

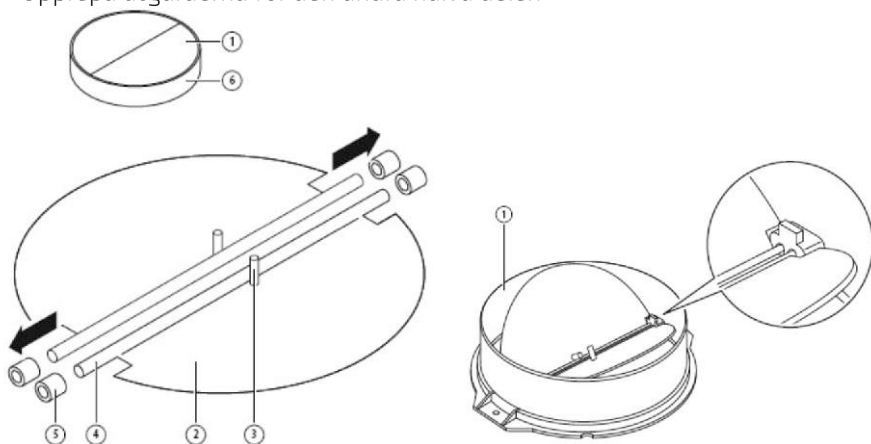
INSTALLATION (VENTILENS UTSIDA)

MONTERING AV V-KLAFFEN

Om fläktkåpan saknar en monterad V-klaff ①, måste du själv montera de halva delarna i höljet. Bilderna visar ett exempel på hur man monterar V-klaffen, men utloppet kan skilja sig åt mellan olika modeller och konfigurationer.

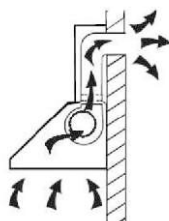
För att montera V-klaffen ① måste du:

- Montera två halvor ② i hölje ⑥
- Sprint ③ ska vara uppåtriktad.
- Axel ④ ska stickas in i hålen ⑤ på höljet.
- Upprepa åtgärderna för den andra halva delen

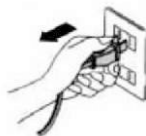


INSTALLATION

Om de har ett utlopp utomhus, kan fläktkåpan anslutas som på bilden nedan med hjälp av ett ventilationsrör (emalj, aluminium, böjligt rör eller icke-brännbart material med en innerdiameter på 150 mm). OBS! Expansionsröret medföljer inte produkten.



1. Före installationen, stäng av enheten och koppla ifrån den från uttaget.



2. Flätkåpan ska placeras 65~75 cm ovanför stekytan för bästa effekt.

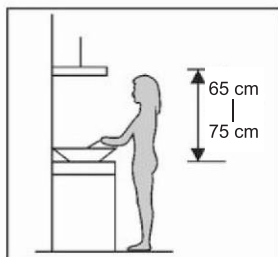


Bild 1

3. Montera kroken på en lämplig plats när monteringshöjden bestämts, och håll rakt. Det fasta läget för ventilationsrörets fäste är enhetens placering. Se bild 2.

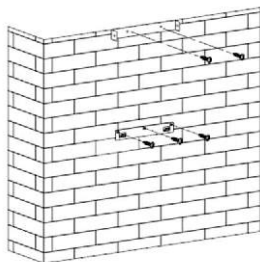


Bild 2

4. Montera expansionsröret och täckplåten på flätkåpan. Fäst avslutningsvis täckplåtens fäste på täckplåten, och se till att ventilationsrörets höjd inuti täckplåten kan justeras fritt liksom fästet av expansionsröret. Se bild 3/bild 4.

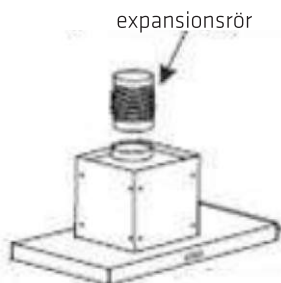


Bild 3

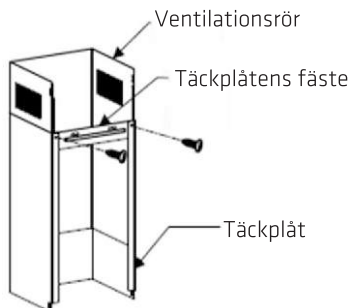


Bild 4

5. Placera fläktkåpan på kroken. Se bild 5.

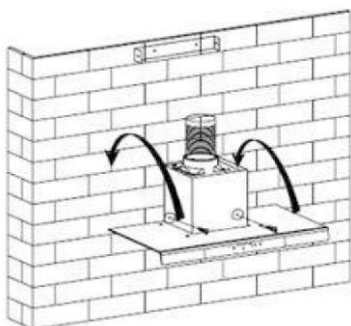


Bild 5

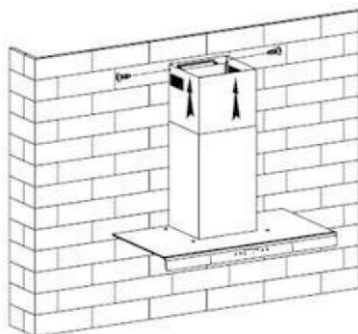
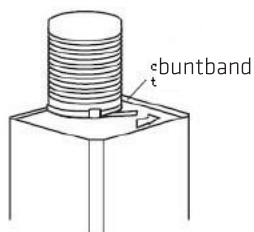


Bild 6

6. Justera höjden på ventilationsröret efter höjden på ventilationsrörets fäste, och fäst den med skruven. När läget justerats, fäst enheten med säkerhetsskruv. Se bild 6.

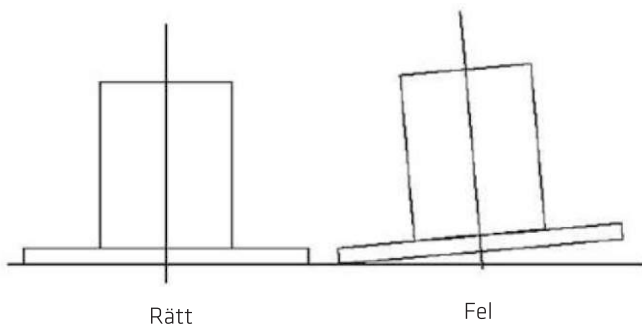
Obs! De två säkerhetsventilerna sitter på höljets baksida, med 6 mm diameter. Placera expansionsröret på utloppet i väggen. Fäst expansionsröret med buntbandet på väggutloppet.



TIPS FÖR MONTERING AV VENTILATIONSRÖR

Följande regler måste följas ingående för att få maximalt luftutsug:

- Håll expansionsröret kort och rakt.
- Reducera inte storleken eller begränsa expansionsröret.
- När man använder expansionsrör, ska röret alltid monteras utdraget för att minska tryckfall.
- Om inte dessa grundläggande instruktioner följs, försämras prestandan och bullret från flätkåpan ökar.
- Allt installationsarbete måste utföras av en kvalificerad elektriker eller kompetent person.
- Anslut inte flätkåpan rörsystem till något befintligt ventilationssystem som används för någon annan apparat som t. ex. värmrör, gasrör, varmluftsror.
- Efter installationen måste man kontrollera att flätkåpan sitter rakt, för att förhindra att det samlas fett på änden.
- Kontrollera att expansionsröret som valt för installationen uppfyller alla relevanta föreskrifter och är flamsäkert.



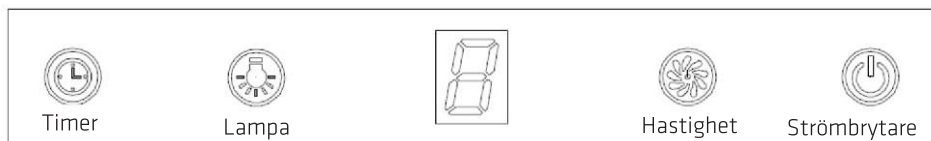
VARNING:



- Av säkerhetsskäl ska endast fäst- eller monteringskruvar av samma storlek som de i bruksanvisningen rekommenderade användas.
- Om skruvarna eller fästordningen inte monteras i enlighet med dessa instruktioner, kan det leda till elektriska risker.

Börja använda flätkåpan

Pekskärm med LED-fönster



1. Tryck på knappen “Strömbrytare”, för att sätta på och stänga av flätkåpan, “på” och “av”.
2. Fortsätt att trycka på knappen “Hastighet”, och motorn cirkulerar mellan hastigheterna låg / medel / hög / låg / medel... I LED-fönstret cirkulerar indikationerna 1-2-3-1-2....
3. Tryck på knappen “Lampa”, så tänds lampan, tryck igen för att släcka lampan, håll knappen intryckt så cirkulerar lampan på/av.
4. När fläkten är igång, och man trycker på “Timer”-knappen, går fläkten över till passiv status (passiv tid är 9 min.), och därefter visar LED-fönstret “9-8-7...-1-0”. När indikationen är “0” stängs fläkten av automatiskt. Fortsätter du att trycka på “Timer”-knappen, kommer fläkten att sätta på och stänga av “Timer”-funktionen.

FELSÖKA

Fel	Möjlig orsak	Lösning
Ljus tänt, men motorn fungerar inte	Fläktens strömbrytare avstängd	Välj ett fläktläge.
	Fläktväxling fungerade inte	Kontakta servicecenter.
	Motorfel	Kontakta servicecenter.
Ljus fungerar inte, motorn fungerar inte	Hussäkringar har gått	Återställ/byt säkringar.
	Strömkabel lös eller fränkopplad	Sätt tillbaka kabel i eluttag. Slå på strömuttag.
Oljeläckage	Envägsventil och luftventilinlopp är inte ordentligt tätade	Ta ner envägsventilen och täta den med tätningsmedel.
	Läckage från anslutningen av den U-formade delen och höljet	Ta ner den U-formade delen och täta.
Ljus fungerar inte	Trasiga/felaktiga lampor	Byt lampor i enlighet med dessa instruktioner.
Otillräcklig sugeffekt	Avståndet mellan flätkåpan och gasspisen är för stort	Sätt tillbaka flätkåpan på rätt avstånd.
Flätkåpan lutar	Fästskruvarna är inte tillräckligt åtdragna	Dra åt hängskruven och gör den horisontell.



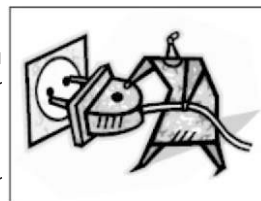
OBS!

Alla elektriska reparationer på apparaten måste uppfylla kommunala och nationella föreskrifter. Kontakta servicecentret om du har frågor innan du utför något av ovanstående. Koppla alltid ifrån enheten från strömkällan när du öppnar enheten.

UNDERHÅLL OCH RENGÖRING

Försiktighet!

- Innan underhåll eller reparation utförs, ska flätkåpan kopplas ifrån nätströmmen. Kontrollera att flätkåpan är fränkopplad från vägguttaget och kontakten borttagen.
- Yttre ytor är känsliga för repor och slipmärken, följ därför rengöringsanvisningarna för bästa resultat utan skador.



ALLMÄNT

Rengöring och underhåll ska utföras med apparaten kall, speciellt vid rengöring. Undvik att lämna alkaliska eller sura ämnen (citronjuice, vinäger osv.) på ytan.

ROSTFRITT STÅL

Det rostfria stålet måste rengöras regelbundet (t. ex. varje vecka) för en lång hållbarhet. Eftertorka med en mjuk trasa. En speciell rengöringsvätska för rostfritt stål kan användas.

OBS!

Se till att torka längs det rostfria stålets struktur för att förhindra att det bildas repmärken kors och tvärs.

KONTROLLPANELENS YTA

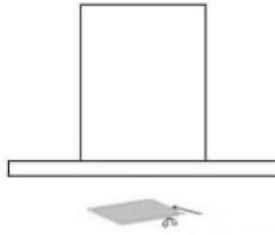
Den infällda kontrollpanelen kan rengöras med varmt vatten och diskmedel. Se till att trasan är ren och väl urvriden före rengöring. Använd en torr mjuk trasa för att avlägsna kvarbliven fukt efter rengöringen.

Viktigt

Använd neutrala rengöringsmedel och undvik skarpa rengöringsmedel, starka hushållsrengöringsmedel eller produkter som innehåller slipmedel, eftersom detta kommer att påverka apparaten och potentiellt avlägsna dekorativt tryck på kontrollpanelen, vilket gör tillverkarens garanti ogiltig.

FETTNÄTFILTER

Nätfiltren kan rengöras för hand. Blötlägg dem i ca 3 minuter i vatten med ett fettlösande diskmedel, och borsta försiktigt med en mjuk borste. Tryck inte för hårt, undvik att skada det. (Låt lufttorka i direkt solljus)
Filtren ska tvättas separat från porslin och köksredskap. Använd inte sköljmedel.



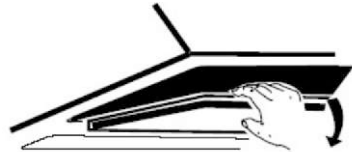
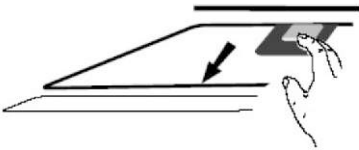
MONTERA FETTNATFILTER

- För att montera filter, följ dessa fyra steg (se bild nedan):
 - Vinkla in filtret i skärorna på kåpans baksida.
 - Tryck på knappen på filtrets handtag.
 - Lossa handtaget när filtret passar in på sin plats.
 - Upprepa för varje filter.

KOLFILTER- medföljer inte produkten

Kolfilter kan användas för dålig lukt. Normalt ska kolfiltret bytas var tredje till sjätte månad, beroende på dina matlagingsvanor. Monteringen av ett kolfilter beskrivs nedan.

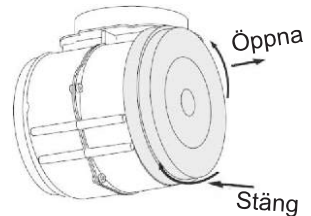
1. Innan kolfiltret installeras eller byts, koppla ifrån strömmen till enheten.
2. Tryck på filterlåset och ta bort nätfiltret.



3. Vrid kolfiltret på båda sidor om motorn moturs. Byt kolfiltren med mot nya kolfilter.
4. Sätt i nätfiltret.
5. Anslut strömkabeln till eluttaget.

OBS!

- Kontrollera att filtret är ordentligt låst. I annat fall kan det lossna och orsaka skada.
- När kolfiltret är fastsatt, sänks sugeffekten.



LAMPBYTE

Viktigt:



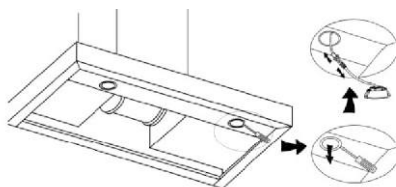
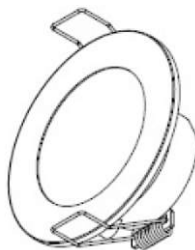
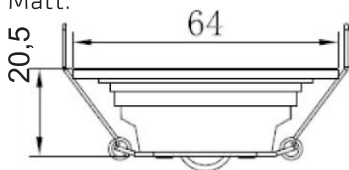
- ✧ Lampan måste bytas av tillverkaren, dennes serviceombud eller liknande kvalificerad person. Ta kontakt med kundtjänst för vidare hjälp.
- ✧ Koppla alltid ifrån strömförsörjningen innan några åtgärder utförs på apparaten. När glödlampan hanteras ska den vara helt kall innan man vidrör den.
- ✧ Håll alltid i lamporna med ett tyg eller handskar för att det inte ska komma svett i kontakt med lampan, eftersom det kan förkorta lampans hållbarhet.

LED-BELYSNING

1. Stäng först av enheten och dra ut kontakten.
2. Vänta tills lampan blivit helt kall innan den byts.
3. Ta ut plåtfiltret och använd skruvmejseln för att ta ut ramen, som på bilden nedan
4. Byt mot samma typ av lampa (LED 2 W max)

Obs! Byte av lampa ska endast utföras av kvalificerad servicepersonal.

- ILCOS D-kod för lampan är: DBR-2/65-H-64
- LED-moduler -rund lampa
- Mått:



Specifikation:

Modellnr.: PHT60STL18 & PHT90STL18

Märkspänning: 220-240V~, 50Hz

Motormärkeffekt: 125W

Lampeffekt: 2*2W

Total effekt: 129W

Fläktkåpa		Datablad		
Varumärke	POINT			
Typ / Modell	PHT60STL18			
Årlig energiförbrukning	AEC fläktkåpa	67,3		kWh
Energieffektivitetsindex	EEl fläktkåpa	82,0		-
Flödesdynamisk effektivitet	FDE fläktkåpa	13,0		-
Belysningseffektivitet (i watt)	LE fläktkåpa	33,6		lux/W
Fettfiltreringsgrad (i %)	GFE fläktkåpa	82,1		-
Luftflödes hastighet vid bästa verkningsgradspunkt	Q BEP	254,1		m ³ /h
Lufttryck vid bästa verkningsgradspunkt	P BEP	216		Pa
Maximalt luftflöde	Q max	504,4		m ³ /h
Arbetspunkternas högsta inställning		479,6		m ³ /h
Arbetspunkternas lägsta inställning		288,7		m ³ /h
Elektrisk tillförd effekt vid bästa verkningsgradspunkt	W BEP	117,0		W
Nominella effekt på belysningssystemet	W L	4,5		W
Genomsnittliga belysning på kogytan	E medel	151		LUX
Energiförbrukning i viloläge	Ps	-		W
Energiförbrukning i avstängt läge	Po	0,46		W
Ljudeffektnivå	Lwa	min./max.	53/65	dB

Fläktkåpa		Datablad		
Varumärke	POINT			
Typ / Modell	PHT90STL18			
Årlig energiförbrukning	AEC fläktkåpa	67,3	kWh	
Energieffektivitetsindex	EEL fläktkåpa	82,0	-	
Flödesdynamisk effektivitet	FDE fläktkåpa	13,0	-	
Belysningseffektivitet (i watt)	LE fläktkåpa	29,6	lux/W	
Fettfiltreringsgrad (i %)	GFE fläktkåpa	82,1	-	
Luftflödes hastighet vid bästa verkningsgradspunkt	Q BEP	254,1	m ³ / h	
Lufttryck vid bästa verkningsgradspunkt	P BEP	216	Pa	
Maximalt luftflöde	Q max	504,4	m ³ / h	
Arbetspunkternas högsta inställning		479,6	m ³ / h	
Arbetspunkternas lägsta inställning		288,7	m ³ / h	
Elektrisk tillförd effekt vid bästa verkningsgradspunkt	W BEP	117,0	W	
Nominella effekt på belysnings systemet	W L	4,5	W	
Genomsnittliga belysning på kokytan	E medel	133	LUX	
Energiförbrukning i viloläge	Ps	-	W	
Energiförbrukning i avstängt läge	Po	0,46	W	
Ljudeffektnivå	Lwa	min./max.	53/65	dB

MILJÖSKYDD:



Denna produkt är märkt med symbolen för selektiv sortering av kasserad elektronisk utrustning. Det betyder att denna produkt inte får avyttras med hushållsavfall, utan måste stödjas av ett system för selektiv insamling i enlighet med direktiv 2012/19/EU. Den kommer därefter att återvinnas eller demonteras för att minimera inverkan på miljön. Elektriska och elektroniska produkter är potentiellt skadliga för miljön och människors hälsa på grund av närvaron av skadliga ämnen. För mer information, kontakta din kommun eller regionala myndigheter.

OBS!

Följande visar hur man kan minimera den totala inverkan på miljön (t. ex. energiförbrukning) vid matlagningen.

- (1) Montera fläktkåpan på en lämplig plats med effektiv ventilation.
- (2) Rengör fläktkåpan regelbundet så att inget blockerar luftvägen.
- (3) Kom ihåg att stänga av fläktkåpans belysning efter matlagningen.
- (4) Kom ihåg att stänga av fläktkåpan efter matlagningen.

INFORMATION FÖR DEMONTERING

Demontera inte apparaten på något annat sätt än vad som beskrivs i bruksanvisningen. Apparaten kan inte demonteras av användaren. När apparaten är uttjänt ska den inte kasseras med hushållsavfall. Kontrollera med din kommun eller återförsäljare för råd om återvinning.

Importerat och exklusivt marknadsförd av:

Power International AS,
PO Box 43, N-1483 Hagan, Norway

Power Norge:

<https://www.power.no/kundeservice/>

T: 21 00 40 00

Expert Danmark:

<https://www.expert.dk/kundeservice/>

T: 70 70 17 07

Power Danmark:

<https://www.power.dk/kundeservice/>

T: 70 33 80 80

Punkt 1 Danmark:

<https://www.punkt1.dk/kundeservice/>

T: 70 70 17 07

Expert Finland:

<https://www.expert.fi/tuki/asiakaspalvelu/>

T: 020 7100 670

Power Finland:

<https://www.power.fi/tuki/asiakaspalvelu/>

T: 0305 0305

Power Sverige:

<https://www.power.se/kundeservice/>

T: 08 517 66 000

The first part of the document discusses the importance of maintaining accurate records of all transactions. It emphasizes that every entry, no matter how small, should be recorded to ensure the integrity of the financial data. This includes not only sales and purchases but also expenses, income, and any other financial activities. The document also highlights the need for regular reconciliation to identify any discrepancies between the recorded amounts and the actual bank statements or receipts.

Secondly, the document stresses the importance of using reliable and up-to-date accounting software. Modern software solutions offer a wide range of features, including automated data entry, real-time reporting, and secure data storage. By investing in quality software, businesses can streamline their accounting processes, reduce the risk of human error, and gain valuable insights into their financial performance. The document also provides a list of recommended software options, along with their key features and pricing information.

Finally, the document discusses the importance of seeking professional advice from an accountant or tax advisor. These experts can provide valuable guidance on the most effective ways to manage your business's finances, optimize your tax position, and ensure compliance with all relevant regulations. They can also help you interpret complex financial statements and provide strategic advice based on your business's specific needs and goals. The document concludes by encouraging businesses to take a proactive approach to their financial management and to seek out the support and expertise they need to succeed.