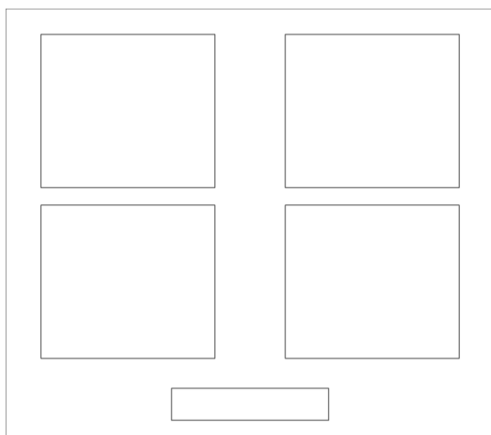
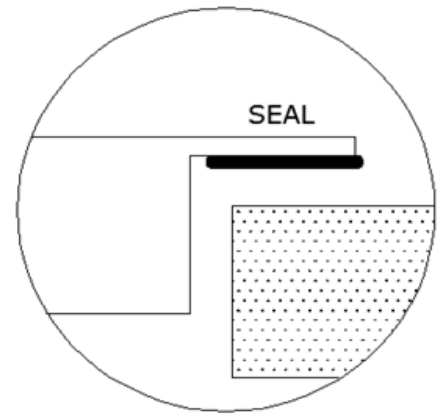
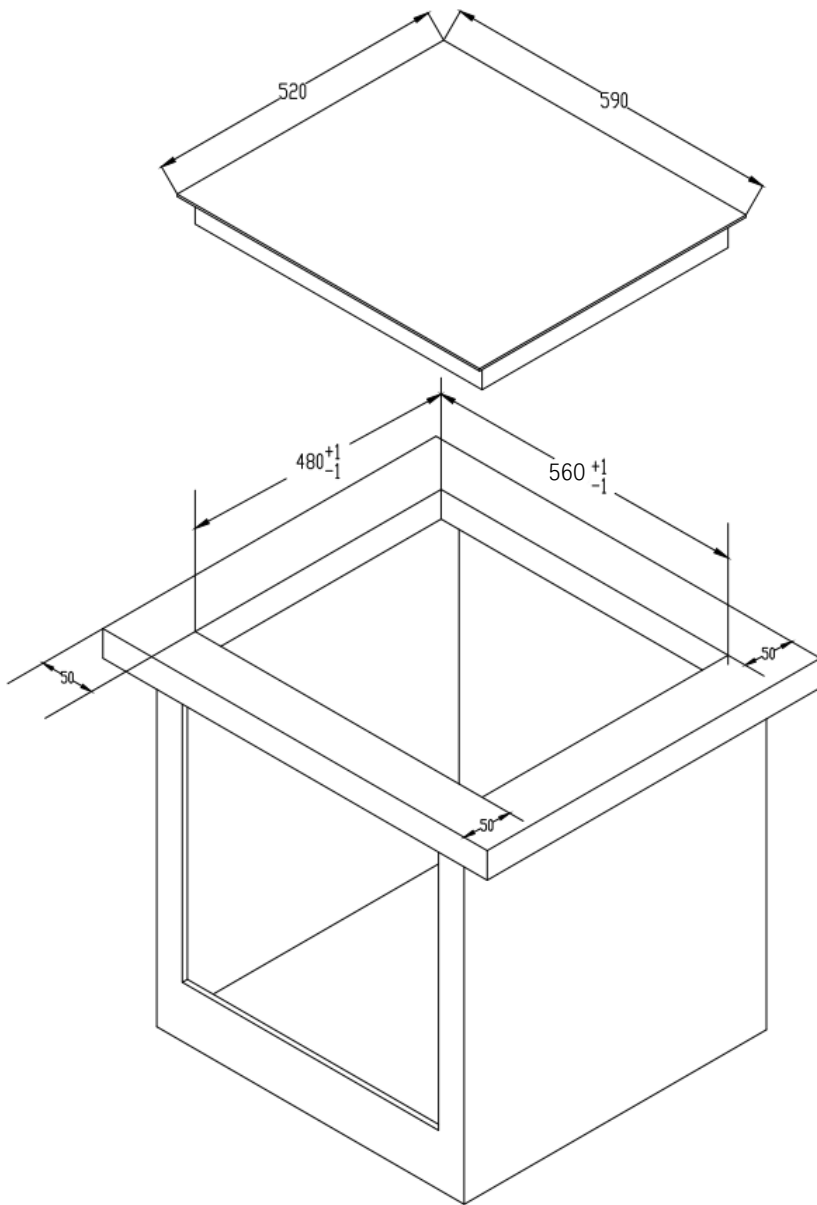


Model:

MC-6F74A0H556

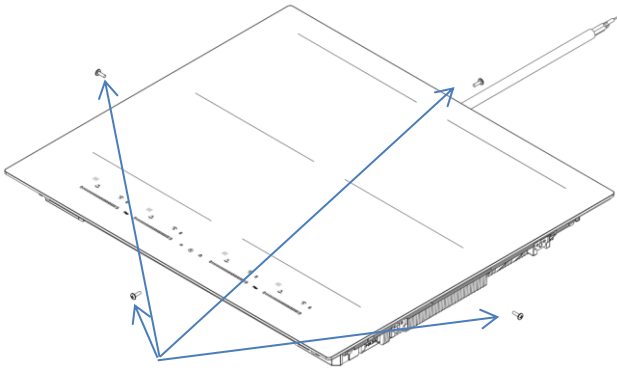
# Service Manual Induction hob



HEATING ZONE	Size	normal
1	210*185 mm	2200/3300W
2	210*185 mm	2200/3300W
3	210*185 mm	2200/3300W
4	210*185 mm	2200/3300W

Voltage:220-240V~

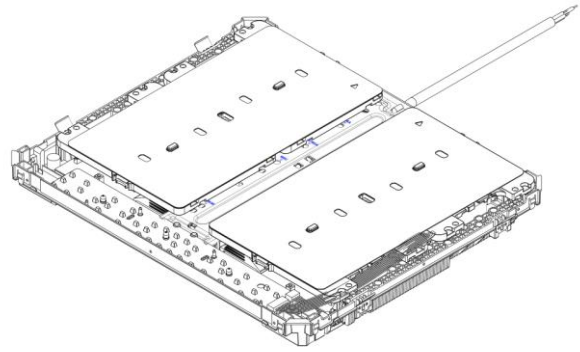
Frequency:50/60Hz



Screw

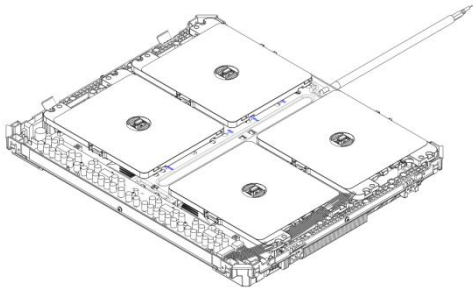
**Step1:**

remove the screw around the base cover



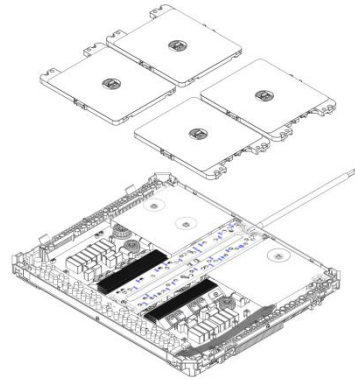
**Step2:**

remove the Glass Assembly



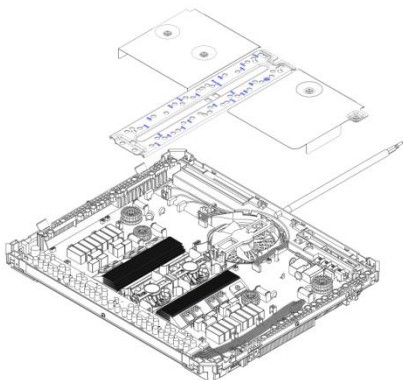
**Step3:**

Remove the Heat Insulation Cotton



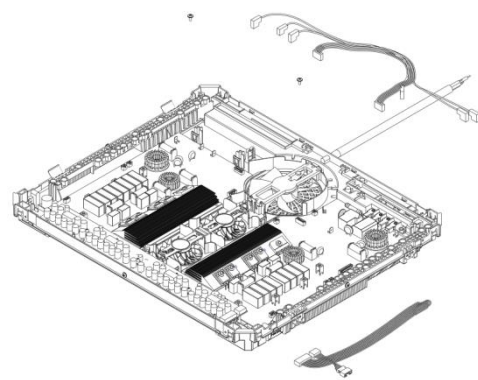
**Step4:**

Remove the Coil Plates



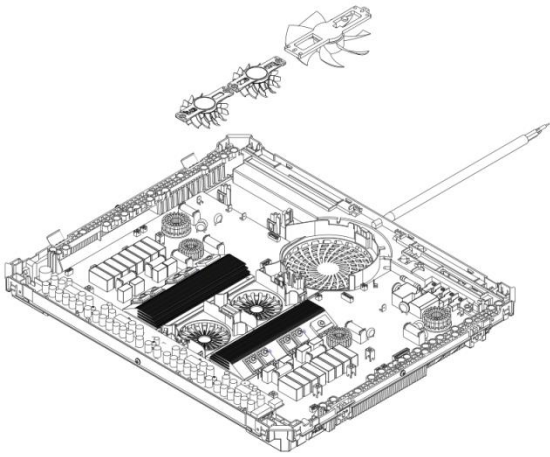
**Step5:**

Remove the Aluminum Sheets



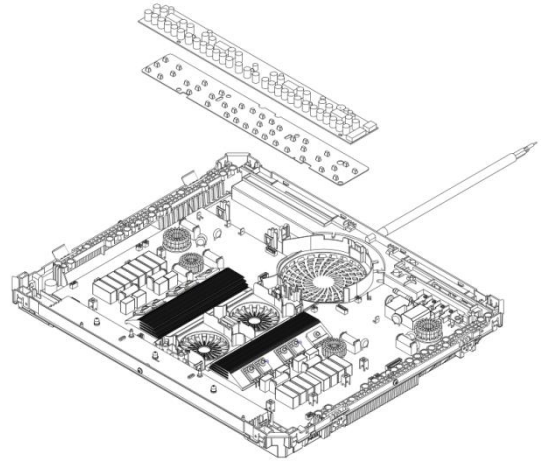
**Step6:**

Remove the wires and screws from Main control panel



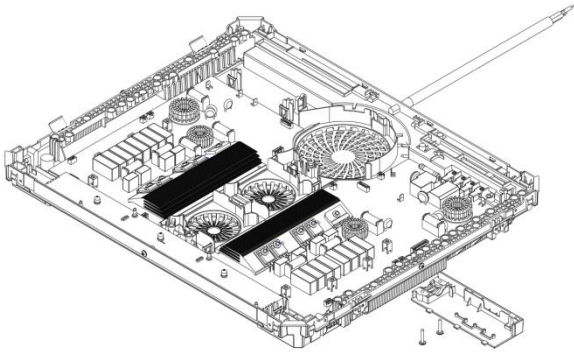
### Step7:

Remove the fans



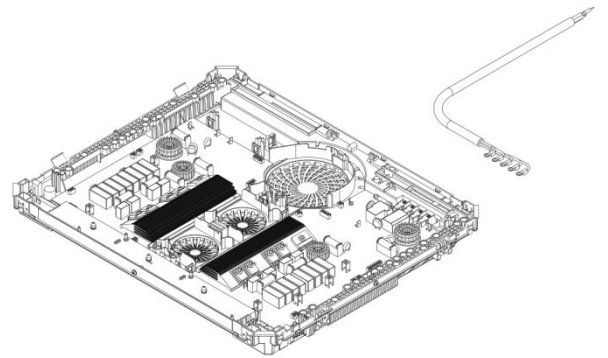
### Step8:

Remove the Silicone Bracket and Display Panel



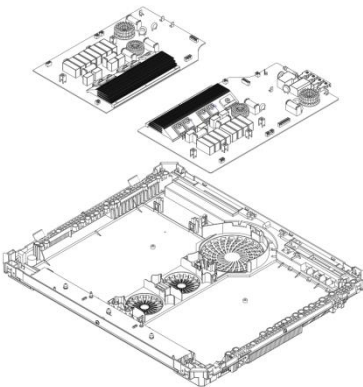
### Step9:

Flipping machine, remove the screws and Power cord cover



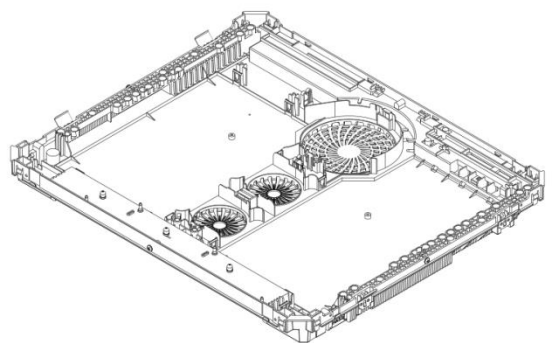
### Step10:

Remove the Power cord



### Step11:

Flipping machine, remove the Main control panel



### Step12:

Done

The induction hob is equipped with a self diagnostic function. With this test the technician is able to check the function of several components without disassembling or dismounting the hob from the working surface.

### Troubleshooting

Problem	Possible causes	What to do
E1、 E2、 E7	Temperature sensor failure	Please contact the supplier.
E3、 E4	Temperature sensor of the IGBT failure.	Please contact the supplier.
EU	The connection between the display board and the main board is fail or touch IC communication fail.	Please contact the supplier.
EL/EH	Abnormal supply voltage	Please inspect whether power supply is normal. Power on after the power supply is normal.
C1	Temperature sensor of the ceramic glass plate Is high	Please restart after the induction hob cools down.
C2	Temperature sensor of the IGBT Is high	Please restart after the induction hob cools down.
F5	Fan abnormality	Please contact the supplier.
EF	Two or more keys are triggered for a long time.	Cleaning the operation area

### Specific Failure & Solution

Failure	Problem	Solution A	Solution B
The LED does not come on when unit is plugged in.	No power supplied.	Check to see if plug is secured tightly in outlet and that outlet is working.	
	The accessorial power board and the display board connected failure.	Check the connection.	
	The accessorial power board is damaged.	Replace the accessorial power board.	
	The display board is damaged.	Replace the display board.	
Some buttons can't work, or the LED display is not normal.	The display board is damaged.	Replace the display board.	
The Cooking Mode Indicator comes on, but heating does not start.	High temperature of the hob.	Ambient temperature may be too high. Air Intake or Air Vent may be blocked.	
	There is something wrong with the fan.	Check whether the fan runs smoothly; if not , replace the fan.	
	The power board is damaged.	Replace the power board.	

Heating stops suddenly during operation and the display flashes "u".	Pan Type is wrong.	Use the proper pot (refer to the instruction manual.)	Pan detection circuit is damaged, replace the power board.
	Pot diameter is too small.		
	Cooker has overheated;	Unit is overheated. Wait for temperature to return to normal. Push "ON/OFF" button to restart unit.	
Heating zones of the same side ( Such as the first and the second zone ) would display "u" .	The power board and the display board connected failure;	Check the connection.	
	The display board of communicate part is damaged.	Replace the display board.	
	The Main board is damaged.	Replace the power board.	
Fan motor sounds abnormal.	The fan motor is damaged.	Replace the fan.	