

point

COOKER HOOD

POH05060TELB

POH05060TELW

USER MANUAL

LIFE MADE **EASIER**

GB

Thank you for purchasing your new POINT COOKER HOOD. These operating instructions will help you use it properly and safely. We recommend that you spend some time reading this instruction manual in order that you fully understand all the operational features it offers. Read all the safety instructions carefully before use and keep this instruction manual for future reference.

NO

Takk for at du kjøpte ditt nye POINT AVTREKKSSETTE. Denne bruksanvisningen vil hjelpe deg med å bruke den på en trygg og riktig måte. Vi anbefaler at du tar deg tid til å lese gjennom hele bruksanvisningen for å bli fortrolig med alle funksjonene som tilbys. Les alle sikkerhetsanvisningene nøye før bruk, og oppbevar bruksanvisningen for fremtidig referanse.

FI

Kiitos, kun valitsit uuden POINT LIESITUULETTIMEN. Nämä käyttöohjeet opastavat sinua käyttämään laitetta oikein ja turvallisesti. On suositeltavaa käyttää aikaa tämän käyttöoppaan lukemiseen, jotta ymmärrät täysin, mitä toiminnallisia ominaisuuksia tuote tarjoaa. Lue kaikki turvallisuusohjeet huolellisesti ennen laitteen käyttöä ja säilytä käyttöopas myöhempää käyttöä varten.

DK

Tak for købet af dit nye EMHÆTTE fra POINT. Disse brugervejledninger hjælper dig med at bruge dette apparat rigtigt og sikkert. Vi anbefaler, at du læser denne brugervejledning, så du får en fuld forståelse af hvordan alle funktionerne virker. Læs sikkerhedsforskrifterne grundigt inden brug, og gem denne brugervejledning til senere brug.

SE

Tack för att du har köpt ditt nya FLÄTKÅPA från POINT. Denna bruksanvisning hjälper dig att använda den på ett säkert och korrekt sätt. Vi rekommenderar att du tar dig tid att läsa igenom denna bruksanvisning för att till fullo förstå alla driftfunktioner som den erbjuder. Läs noga igenom alla säkerhetsinstruktioner före användning och spara bruksanvisningen för framtida bruk.

| | | |
|------------------------------------|------|---------|
| Instruction Manual – English | page | 4 - 21 |
| Bruksanvisning – Norsk | side | 22 - 39 |
| Käyttöopas - Suomi | sivu | 40 - 57 |
| Brugervejledning – Dansk | side | 58 - 75 |
| Bruksanvisning – Svenska | sida | 76 - 93 |

SAFETY INSTRUCTIONS

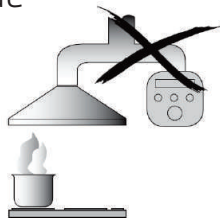
This manual explains the proper installation and use of your cooker hood, read it carefully before using even if you are familiar with the product. The manual should be kept in a safe place for future reference.

Never to do:

- Do not try to use the cooker hood without the grease filters or if the filters are excessively greasy!
- Do not install above a cooker with a high level grill.
- Do not leave frying pans unattended during use because overheated fats or oils might catch fire.
- Never leave naked flames under the cooker hood.



- If the cooker hood is damaged, do not attempt to use it.
- Do not flame under the cooker hood.
- **CAUTION:** Accessible parts may become hot when used with cooking appliances.
- The minimum distance between the supporting surface for the cooking vessels on the hob and the lowest part of the cooker hood shall be at least 65 cm. (when the cooker hood is located above a gas appliance)
- The air must not be discharged into a flue that is used for exhausting fumes from appliances burning gas or other fuels.



Always to do:

- Important! Always switch off the mains power supply during installation and maintenance such as light bulb replacement.
- The cooker hood must be installed in accordance with the installation instructions and all the measurements must be followed.
- All installation work must be carried out by a competent person or qualified electrician.
- Dispose of the packing material carefully. Children are vulnerable to it.
- Pay attention to the sharp edges inside the cooker hood especially during installation and cleaning.
- Make sure the ducting has no bends sharper than 90 degrees as this will reduce the efficiency of the cooker hood.
- **Warning:** Failure to install the screws or fix device in accordance with these instructions may result in electrical hazards.
- **Warning:** Before obtaining access to terminals, all supply circuits must be disconnected.
- Always put lids on pots and pans when cooking on a gas cooker.
- When in extraction mode, air in the room is being removed by the cooker hood. Make sure that proper ventilation measures are being observed. The cooker hood removes odours from room but not steam.

- Cooker hood is for domestic use only.



- If the mains power cable is damaged, it must be replaced by the manufacturer, its service agent or similarly qualified persons in order to avoid a hazard.
- This appliance can be used by children aged from 8 years and above and persons with reduced physical, sensory or mental capabilities or lack of experience and knowledge if they have been given supervision or instruction concerning use of the appliance in a safe way and understand the hazards involved.



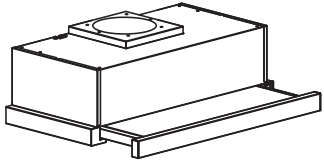
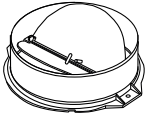


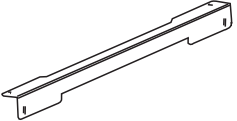

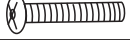




Children shall not play with the appliance.

Cleaning and user maintenance shall not be made by children without supervision.

- Caution: The appliance and its accessible parts can become hot during operation. Be careful to avoid touching the heating elements. Children younger than 8 years old should stay away unless they are under permanent supervision.
- There must be adequate ventilation in the room when the cooker hood is being used at the same time as appliances burning gas or other fuels.
- There is a fire risk if cleaning is not carried out in accordance with the instructions.

- Regulations concerning the discharge of air have to be fulfilled.
- Clean your appliance periodically by following the method given in the chapter MAINTENANCE.
- For safety reason, use only the same size of fixing or mounting screws which are recommended in this instruction manual.
- Regarding the details about the method and frequency of cleaning, refer to the maintenance and cleaning section in the instruction manual.
- Cleaning and user maintenance must not be made by children without supervision.
- When the cooker hood and appliances supplied with energy other than electricity are simultaneously in operation, the negative pressure in the room must not exceed 4 Pa (4 x 10⁻⁵ bar).
- **WARNING:** Danger of fire: do not store items on the cooking surfaces.
- A steam cleaner is not to be used.
- **NEVER** try to extinguish a fire with water, but switch off the appliance and then cover the flame with a lid or a fire blanket.

Parts supplied

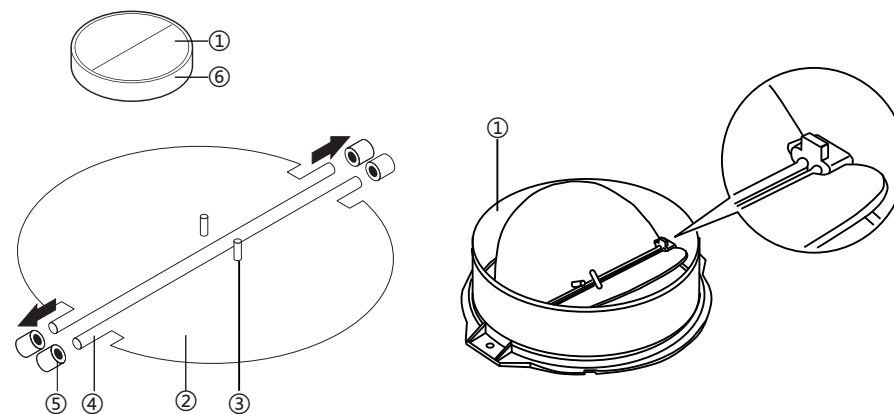
| Description | Illustration | Qty |
|--|---|-----|
| Cooker hood |  | 1 |
| Outlet & V-flap |  | 1 |
| Angle bracket |  | 2 |
| Washer $\Phi 4 \times 20 \times 1 \text{mm}$ |  | 6 |
| Plate I |  | 1 |
| Screw ST4 X 8 |  | 2 |
| Screw M4mm X 35mm |  | 6 |
| Screw M4mm X 10mm |  | 2 |
| Screw ST3mm X 12mm |  | 2 |
| Screw ST4mm X 30mm |  | 4 |
| Wall plug |  | 4 |

INSTALLATION (VENT OUTSIDE) MOUNTING OF THE V-FLAP

If the cooker hood does not have an assembled V-flap 1, you should mount the half-parts to its body. The images only show an example of how to mount the V-flap, because the outlet may vary according to different models and configurations.

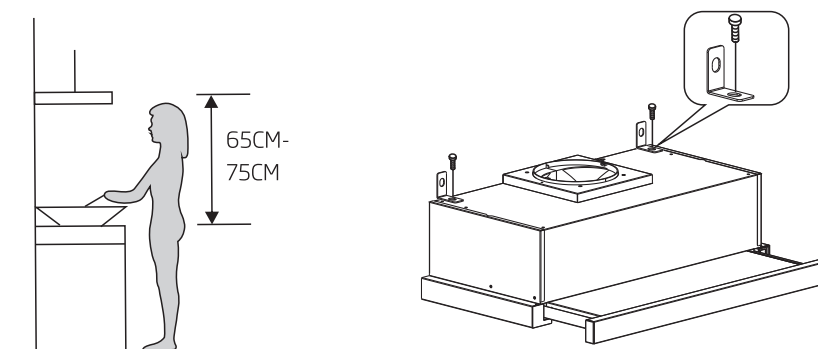
To mount the V-flap 1 you should:

- Mount two half-parts 2 into the body 6
- the pin 3 should be top oriented;
- the axis 4 should be inserted into the holes 5 on the body;
- repeat all the operations for the 2nd half-part.



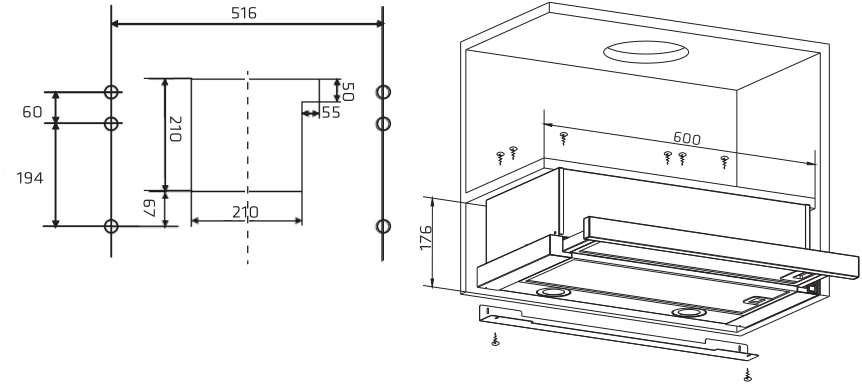
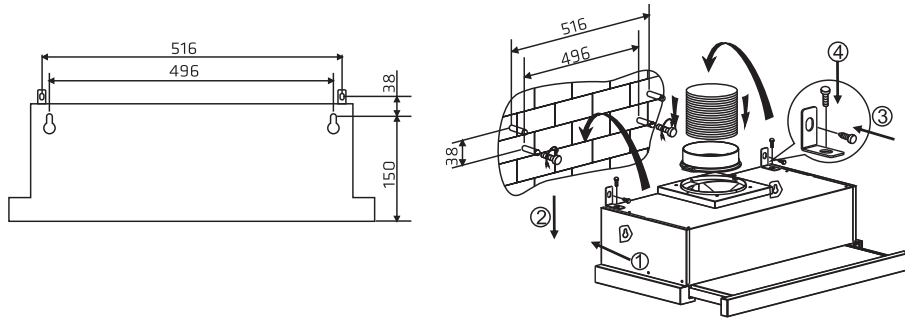
INSTALLATION (Wall Mounting)

1. Decide the location of the holes for fixing the cooker hood.

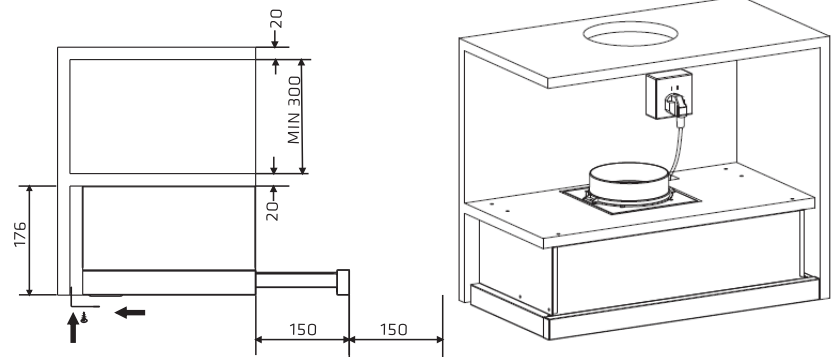
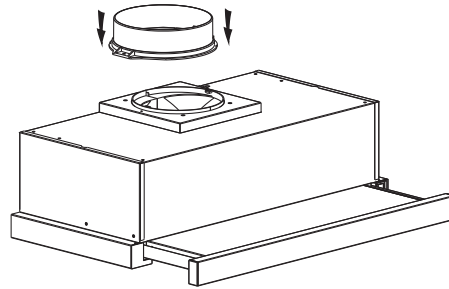


2. Install the L-shaped bracket on the top of the hood with two screws (4mm x 10mm)

3. The cooker hood is wall mounted by 4 screws (4mm x 30mm) and wall plugs. Mount the cooker hood on the wall on the back of the cooker hood with 2 screws (4mm x 30mm) and wall plugs. Then fix the cooker hood on the wall with 2 screws (4mm x 30mm) and wall plugs through the small L-shaped bracket.

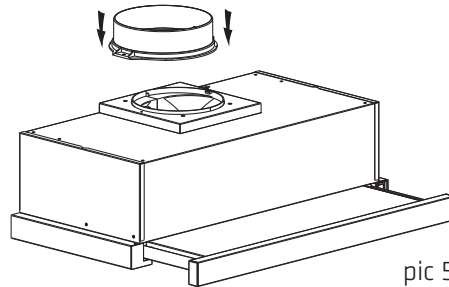


4. Fix the outlet to the cooker hood.



INSTALLATION (Cabinet Mounting)

1. Fix the outlet to the cooker hood with 2pcs screws (ST4*8). Then fix the expansion pipe on the outlet, and lead it to outdoors. See pic5.



pic 5

2. Drill 6 Ø 6mm holes on the cabinet splint. And mount the cooker hood on the cabinet with 6 screws (4x35mm) and flat washers. See pic 6.

If there is gap between the wall and the cooker hood, you may install the L-shaped bracket on the bottom of the hood with two screws (3 x 12mm). The installation of the L-shaped bracket is optional.
Note: The expansion pipe is not included in the product.

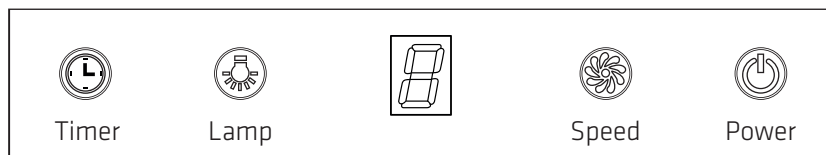
WARNING:



- For safety reason, use only the same size of fixing or mounting screws which are recommended in this instruction manual.
- Failure to install the screws or fix device in accordance with these instructions may result in electrical hazards.

Start Using Your Cooker Hood

Touch control with LED display



1. Press the “Power” button, the button controls the “on” & “off” of the hood.
2. Press the button “Speed” time after time, the motor runs as low / mid / high / low / mid..., the speed runs circularly; and the LED display will indicate as 1-2-3-1-2... circularly.
3. Press “Lamp” button, the light is on, press this button again, the light is off. Please note the Lamp is not under control of the on/off button.
4. When the hood is working, if press the “Timer” button, the hood will go into the status of acquiescent working (acquiescent time is 9mins), and then, LED display will be shown 9.8.7.6 ...decreasing by 1, when time is up, the hood will be off automatically and the lamp will extinguish. If pressing “Timer” button, the hood will go in or go out “Timer” function.

TROUBLESHOOTING

| Fault | Possible Cause | Solution |
|--|---|---|
| Light on, but motor does not work | Fan switch turned off | Select a fan switch position. |
| | Fan switch failed | Contact service center. |
| | Motor failed | Contact service center. |
| Light does not work, motor does not work | House fuses blown | Reset/Replace fuses. |
| | Mains power cable is loose or disconnected | Refit mains power cable to power outlet. Switch power outlet on. |
| Oil leakage | One way valve and the outlet are not tightly sealed | Take down the one way valve and seal with sealant. |
| | Leakage from the connection of chimney and cover | Take chimney down and seal. |
| Lights not working | Broken or faulty bulbs | Replace blubs as per this instruction. |
| Insufficient suction | The distance between the cooker hood and the gas top is too far | Refit the cooker hood to the correct distance. |
| The cooker hood inclines | The fixing screw is not tight enough | Tighten the hanging screw and make it horizontal. |



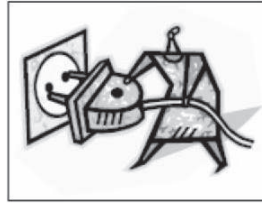
NOTE:

Any electrical repairs to this appliance must conform to your laws. Contact the service centre if in any doubt before undertaking any of the above. Always disconnect the unit from the power source when opening the unit.

MAINTENANCE AND CLEANING

Caution:

- Before maintenance or cleaning is carried out, the cooker hood should be disconnected from the mains power supply. Ensure that the cooker hood is switched off at the wall socket and the plug removed.
- External surfaces are susceptible to scratches and abrasions, so follow the cleaning instructions to ensure the best possible result is achieved without damage.



GENERAL

Cleaning and maintenance should be carried out with the appliance cold especially when cleaning. Avoid leaving alkaline or acid substances (lemon juice, vinegar etc.) on the surfaces.

STAINLESS STEEL

The stainless steel must be cleaned regularly (e.g. weekly) to ensure a long life expectancy. Dry with a clean soft cloth. A specialized stainless steel cleaning fluid may be used.

NOTE:

Ensure that wiping is done along with the grain of the stainless steel to prevent any unsightly crisscross scratching patterns from appearing.

CONTROL PANEL SURFACE

The inlay control panel can be cleaned using warm soapy water. Ensure the cloth is clean and well wrung before cleaning. Use a dry soft cloth to remove any excess moisture left after cleaning.

Important

Using neutral detergents and avoid using harsh cleaning chemicals, strong household detergents or products containing abrasives, as this will affect the appearance of the appliance and potentially remove any printing of artwork on the control panel and will void the manufacturer's warranty.

GREASE MESH FILTERS

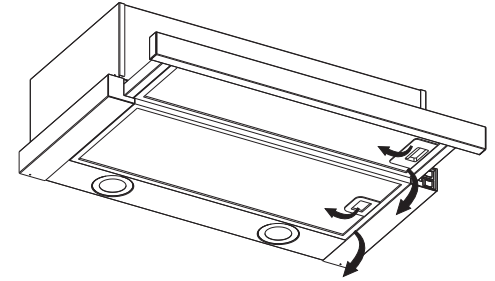
The mesh filters can be cleaned by hand. Soak them for about 3 minutes in water with a mild detergent and then brush it gently with a soft brush. Do not apply too much pressure so as to avoid any damage to it. (Leave to dry naturally out of direct sun light.)

Filters should be washed separately to crockery and kitchen utensils. It is advisable not to use rinse aid.

INSTALLING GREASE MESH FILTERS

To install filters, following four steps .

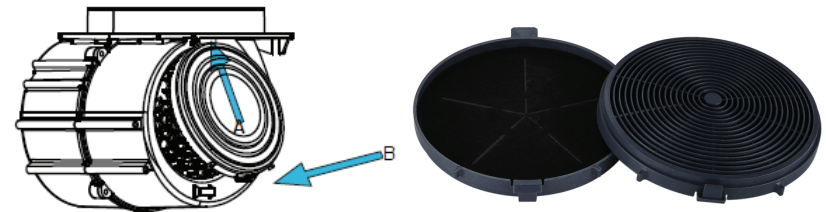
- Angle the filter into the slots at the back of the hood.
- Push the button on the handle of the filter.
- Release the handle once the filter fits into a resting position.
- Repeat to install all filters.



CARBON FILTER-not supplied

Activated carbon filter can be used to trap odors. Normally the activated carbon filter should be changed every 3 to 6 months according to your cooking habits. The installation procedure of activated carbon filter is as below.

1. Before installing or replacing the carbon filters, disconnect the mains power to the unit.
2. Put the pin of the carbon filter into the rectangular hole of the fan (as per the arrow A shown below).
3. Push the other side of the carbon filter toward the fan to make it flat (as per the arrow B shown), and then press filter into fan.
4. If you want to remove the filter, press fastener of filter and remove it by turning anticlockwise.



NOTE:

- Make sure the filter is securely locked. Otherwise, it would loosen and cause danger.
- When activated carbon filter attached, the suction power will be lowered.

BULB REPLACEMENT

Important :



- ✧ The bulb must be replaced by the manufacturer, its service agent or similarly qualified persons.
- ✧ Always switch off the electricity supply before carrying out any operations on the appliance. When handling bulb, make sure it has completely cooled down before any direct contact with hands.
- ✧ When handling bulbs, hold with a cloth or gloves to ensure perspiration does not come in contact with the bulb as this can reduce the life of the bulb.

Note:

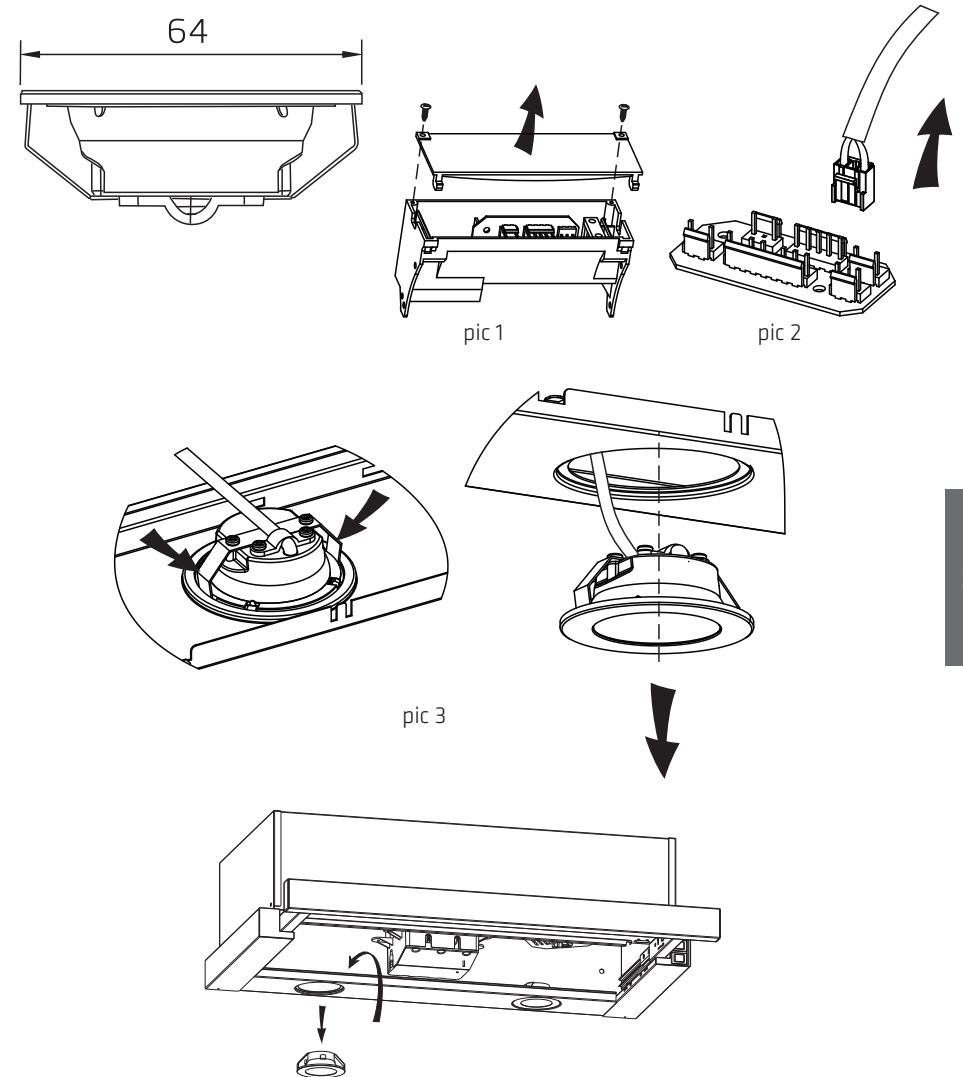
- Before changing the lights, make sure that the appliance is turned off and unplugged.
- Protect against danger when changing lights, such as wearing gloves.

Changing the lights:

- Remove the grease filter.
- Find out the junction box, unscrew the screws on the junction box cover, then take off the junction box cover (If there is a wire pressing plate which holds the light wire, the wire pressing plate needs to be dismantled first). See pic 1.
- Find the terminal of the light connection wire and pull it out. See pic 2.
- Use a tool or your hands to press the spring splinter of both sides of the LED light to the inside, until the light is pressed out, then slightly pull the light connecting wire out. See pic 3.
- Apply the reverse procedure to reinstall the light.

ILCOS D code for this lamp is: DSR-1.5/65-S-64

- LED modules -round lamp
- Max wattage: 2*1.5W
- Voltage range: DC 12V
- Dimensions:



Specification:

Model No.: POH05060TELB POH05060TELW
 Rated voltage: 220-240V~, 50Hz
 Rated motor power: 60W
 Lamp power: 2*1.5W
 Total power: 63W

| Cooker hood Data sheet | | | | |
|--|-----------------|---------------------------|-------|-------------------|
| Brand name | | Point | | |
| Type/Model | | POHO5060TELB POHO5060TELW | | |
| Annual Energy Consumption | AEC hood | 22.1 | | kWh |
| Energy Efficiency Index | EI hood | 52.2 | | - |
| Fluid Dynamic Efficiency | FDE hood | 18 | | - |
| Lighting efficiency (in watts) | LE hood | 51.3 | | lux/W |
| Grease Filtering rate (in %) | GFE hood | 67.5 | | - |
| Air flow rate at best efficiency point | Q BEP | 167.1 | | m ³ /h |
| Air pressure at best efficiency point | P BEP | 182 | | Pa |
| Maximum air flow | Q max | 335.1 | | m ³ /h |
| Working points highest setting | | 327.5 | | m ³ /h |
| Working points lowest setting | | 174.5 | | m ³ /h |
| Electric power input at best efficiency point | W BEP | 47.1 | | W |
| Nominal power of the lighting system | W L | 3.0 | | W |
| Average illumination of the lighting system on the cooking surface | E middle | 153.9 | | LUX |
| Power consumption in standby mode | P s | 0.48 | | W |
| Power consumption in off mode | P o | - | | W |
| Sound power level | Lwa | min./max. | 52/66 | dB |

ENVIRONMENTAL PROTECTION:



This product is marked with the symbol on the selective sorting of waste electronic equipment. This means that this product must not be disposed of with household waste but must be supported by a system of selective collection in accordance with Directive 2012/19/EU. It will then be recycled or dismantled to minimize impacts on the environment, electrical and electronic products are potentially dangerous for the environment and human health due to the presence of hazardous substances. For more information, please contact your local or regional authorities.

NOTE:

The following shows how to reduce total environmental impact (e.g. energy use) of the cooking process.

- (1) Install the cooker hood in a proper place where there is efficient ventilation.
- (2) Clean the cooker hood regularly so as not to block the airway.
- (3) Remember to switch off the cooker hood light after cooking.
- (4) Remember to switch off the cooker hood after cooking.

INFORMATION FOR DISMANTLING

Do not dismantle the appliance in a way which is not shown in the user manual. The appliance could not be dismantled by user. At the end of life, the appliance should not be disposed of with household waste. Check with your Local Authority or retainer for recycling advice.

Power International AS,
PO Box 523, N-1471 Lørenskog, Norway

Power Norge:
<https://www.power.no/kundeservice/>
T: 21 00 40 00

Power Danmark:
<https://www.power.dk/kundeservice/>
T: 70 33 80 80

Punkt 1 Danmark:
<https://www.punkt1.dk/kundeservice/>
T: 70 70 17 07

Power Finland:
<https://www.power.fi/tuki/asiakaspalvelu/>
T: 0305 0305

Power Sverige:
<https://www.power.se/kundservice/>
T: 08 517 66 000

SIKKERHETSANVISNINGER

Denne bruksanvisningen beskriver riktig installasjon og bruk av avtrekkshetten. Les den nøye før du bruker den, selv om du er kjent med produktet. Håndboken skal holdes på et trygt sted for senere oppslag.

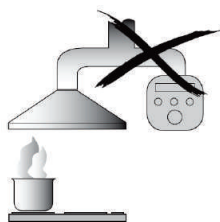
Ting du aldri skal gjøre:

- Ikke prøv å bruke avtrekkshetten uten fettfiltrene eller hvis filtrene er for fettete!
- Ikke monter over en komfyr med en grill på høyt nivå.
- Ikke la stekepanner stå uten tilsyn under bruk, da overopphetet fett eller olje kan ta fyr.
- Aldri la det komme nakne flammer under avtrekkshetten.



- Hvis avtrekkshetten er skadet, skal den ikke brukes.
- Ikke flamber under avtrekkshetten.
- **FORSIKTIG:** Tilgjengelige deler kan bli varme når de brukes sammen med kjøkkenutstyr.
- Avstanden mellom støtteflaten til kokekarene på kokeplaten og den laveste delen på kokeplaten skal være minst 65 cm (når avtrekkshetten er plassert over et gassapparat).

- Luften må ikke slippes ut i en røykkanal som brukes til utslipp av avgasser fra apparater som brenner gass eller annet drivstoff.



Ting du alltid må gjøre:

- Viktig! Slå alltid av strømforsyningen under montering og vedlikehold som for eksempel utskifting av lyspære.
- Avtrekkshetten skal monteres i henhold til monteringsanvisningene, og alle målene må følges.
- Alt monteringsarbeid må utføres av en kompetent person eller kvalifisert elektriker.
- Kast emballasjen forsiktig. Den kan være farlig for barn.
- Vær oppmerksom på skarpe kanter inne i avtrekkshetten, spesielt under montering og rengjøring.
- Ledningsrøret skal ikke ha noen bend over 90 grader, da dette vil redusere effektiviteten til avtrekkshetten.
- Advarsel: Hvis du ikke monterer skruene eller festeenheter i henhold til disse instruksjonene, kan det føre til elektriske farer.
- Advarsel: Før du får tilgang til tilkoblingspunktene, må alle forsyningskretsene kobles ut.
- Bruk alltid lokk på gryter og panner når du lager mat på en gasskomfyr.
- I uttrekksmodus tas luft i rommet ut av avtrekkshetten. Sørg for at det riktige ventilasjonstiltak følges. Avtrekkshetten fjerner lukt fra rommet, men ikke damp.

- Avtrekkshetten er kun til husholdningsbruk.

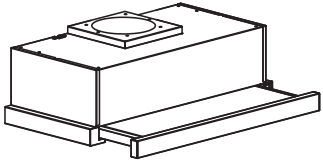
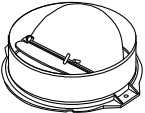


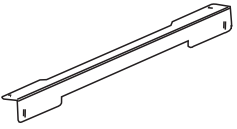








- Hvis strømkabelen er skadet, må den skiftes av produsenten, av produsentens servicerepresentant eller av en tilsvarende kvalifisert person for å unngå fare.
- Dette apparatet kan brukes av barn over 8 år og personer med reduserte fysiske-, sensoriske- eller mentale evner eller mangel på erfaring og kunnskap hvis de er under tilsyn eller har mottatt anvisning om bruk av apparatet på en sikker måte og forstår farene dette innebærer. Barn må ikke leke med apparatet. Rengjøring og brukervedlikehold må ikke utføres av barn uten tilsyn.
- Forsiktig: Apparatet og utsatte deler blir varme under bruk. Vær forsiktig slik at du ikke tar på varmeelementene. Barn under 8 år bør holde seg borte med mindre de er under permanent tilsyn.
- Det må være tilstrekkelig ventilasjon i rommet når avtrekkshetten brukes samtidig som apparater som brenner gass eller andre drivstoff.
- Det foreligger en brannrisiko hvis rengjøring ikke utføres i samsvar med instruksjonene.
- Regler om utslipp av luft må overholdes.



- Rengjør apparatet jevnlig ved å følge metoden oppgitt i kapitlet VEDLIKEHOLD.
- Av sikkerhetsmessige årsaker må du kun bruke samme størrelse på festeskruer eller monteringskruer som anbefalt i denne bruksanvisningen.
- Detaljer om metode og hyppighet for rengjøring finner du i se delen om vedlikehold og rengjøring i bruksanvisningen.
- Rengjøring og brukervedlikehold må ikke utføres av barn uten tilsyn.
- Når avtrekkshetten og apparater som drives med annen energi enn elektrisitet er i drift samtidig, må det negative trykket i rommet ikke overstige 4 Pa (4×10^{-5} bar).
- ADVARSEL: Fare for brann: Ikke legg ting på kokeflatene.
- Damprensere skal ikke brukes. ALDRI prøv å slukke en brann med vann. Slå av apparatet og dekk til flammen, f.eks. med et lokk eller et brannteppe.

DELER SOM FØLGER MED

| Beskrivelse | Illustrasjon | Antall |
|------------------------------|---|--------|
| Avtrekkshette |  | 1 |
| Uttak & V-klaff |  | 1 |
| Vinkelbeslag |  | 2 |
| Skive $\Phi 4*20*1\text{mm}$ |  | 6 |
| Plate I |  | 1 |
| Skruer ST4 X 8 |  | 2 |
| Skruer M4mm X 35mm |  | 6 |
| Skruer M4mm X 10mm |  | 2 |
| Skruer ST3mm X 12mm |  | 2 |
| Skruer ST4mm X 30mm |  | 4 |
| Veggplugg |  | 4 |

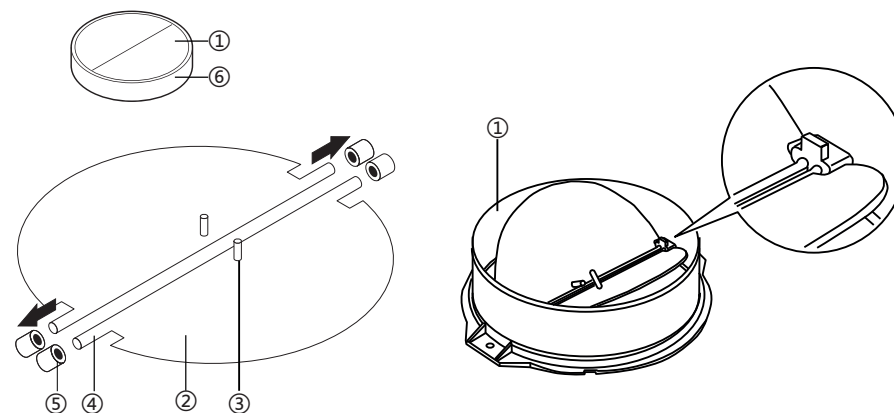
MONTERING (UTVENDIG VENTIL)

MONTERING AV V-KLAFF

Hvis avtrekkshetten ikke har påmontert V-klaff 1, bør du montere halvdelene på kroppen. Bildene viser bare ett eksempel på hvordan V-klaffen monteres, fordi uttaket kan avvike mellom ulike modeller og konfigurasjoner.

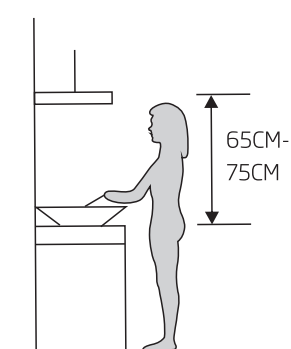
For å montere V-klaffen 1 skal du gjøre som følger:

- Monter to halvdel 2 på kroppen 6.
- Pinnen 3 skal være vendt oppover.
- Akselen 4 skal settes inn i hullene 5 på kroppen.
- Gjenta alle operasjonene for andre halvdel.

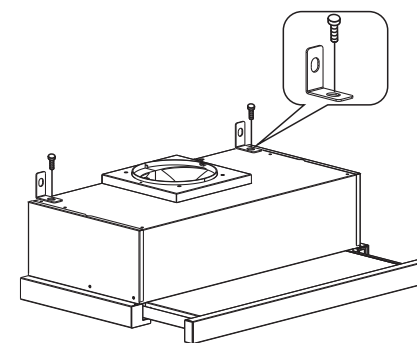


INSTALLASJON (Veggmontering)

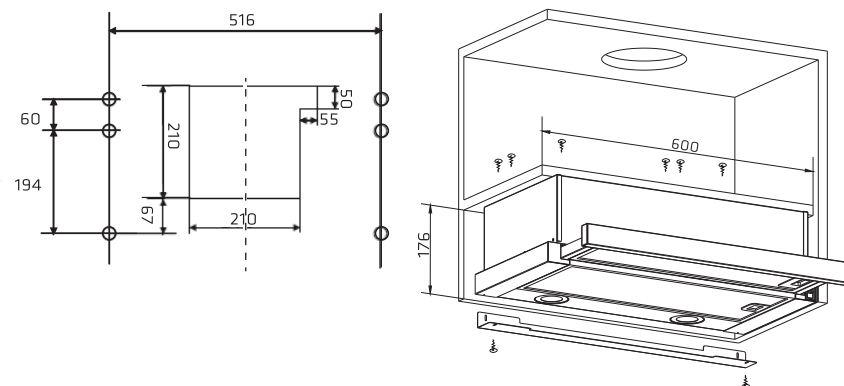
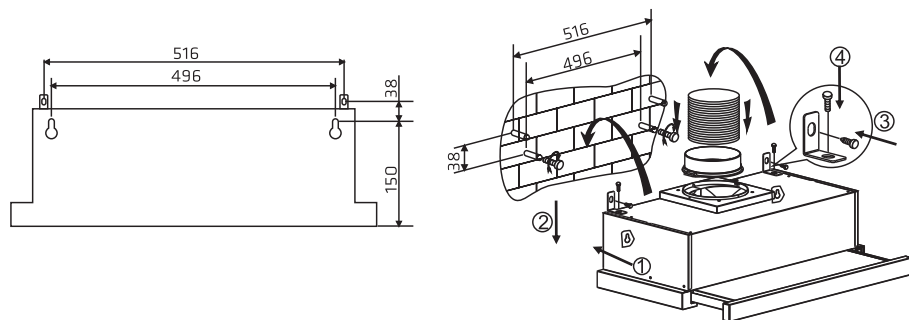
1. Bestem plasseringen til hullene når du skal feste hetten.



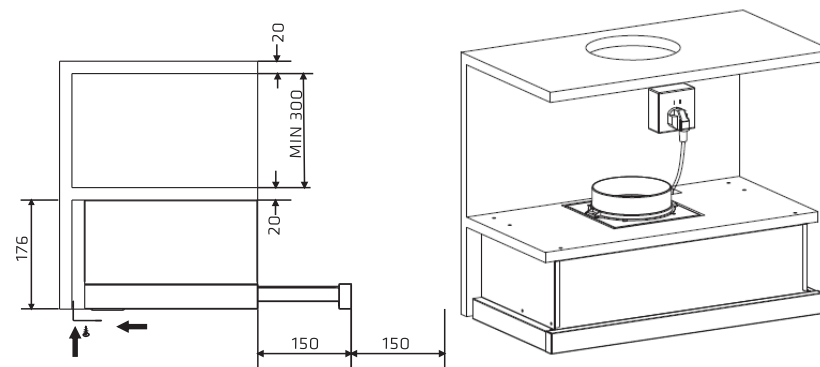
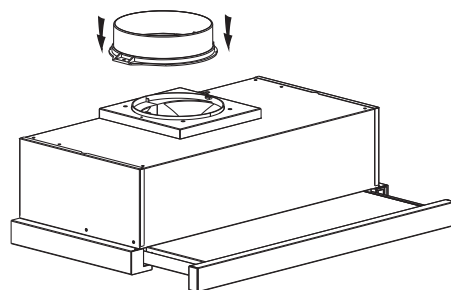
2. Monter det L-formede beslaget på toppen av hetten med to skruer (4 x 10 mm)



3. Avtrekkshetten veggmonteres med 4 skruer (4 x 30 mm) og veggplugger. Monter avtrekkshetten på veggen på baksiden av avtrekkshetten med 2 skruer (4 x 30 mm) og veggplugger. Fest deretter avtrekkshetten på veggen med 2 skruer (4 x 30 mm) og veggplugger gjennom det lille L-formede beslaget.

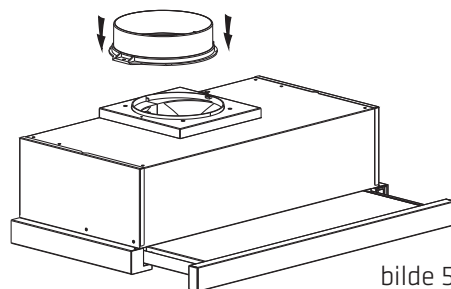


4. Fest uttaket på avtrekkshetten.




INSTALLASJON (Skapmontering)

1. Fest uttaket til avtrekkshetten med 2 skruer (ST4*8). Fest deretter ekspansjonsrøret på uttaket, og før det utendørs. Se bilde 5.



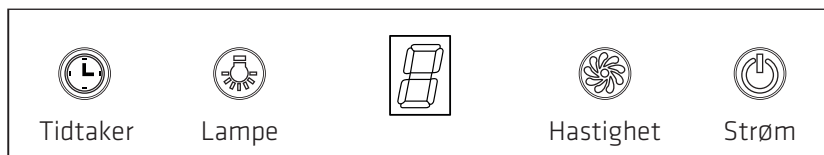
2. Bor 6*6 mm hull på sponskapet. Monter avtrekkshetten på skapet med 6 skruer (4 x 35 mm) og flate skiver. Se bilde 6.

Hvis det er et mellomrom mellom veggen og avtrekkshetten, kan du montere det L-formede beslaget på bunnen av hetten med to skruer (3 x 12 mm). Det er valgfritt å montere det L-formede beslaget. Merk: Ekspansjonsrør følger ikke med produktet.

| | |
|---|--|
| <p>ADVARSEL:</p>  | <ul style="list-style-type: none"> • Av sikkerhetsmessige årsaker må du kun bruke samme størrelse på festeskruer eller monteringskruer som anbefalt i denne bruksanvisningen. • Hvis du ikke monterer skruene eller festerenheten i henhold til disse instruksjonene, kan det føre til elektriske farer. |
|---|--|

Start Using Your Cooker Hood

Touch control with LED display



1. Trykk «Strøm»-knappen for å slå avtrekkshetten av og på.
2. Fortsett å trykke «Hastighet»-knappen. Motorhastigheten endres i syklusen lav/midt/høy/lav/midt, og LED-skjermen indikerer 1-2-3-1-2...
3. Trykk «Lampe»-knappen for å slå på lampen. Trykk igjen for å slå av lampen. Du kan fortsette å trykke for å slå lampen av og på.
4. Når avtrekkshetten er i gang, kan du trykke «Tidtaker»-knappen. Avtrekkshetten teller da ned fra 9 minutter. LED-skjermen vil vise 9, 8, 7 ... 1, 0, så slås avtrekkshetten av automatisk. Du kan trykke «Tidtaker»-knappen for å slå funksjonen av og på.

FEILSØKING

| Feil | Mulig årsak | Løsning |
|--|---|--|
| Lampen på, men motoren virker ikke | Viftebryteren er slått av | Velg en viftebryterposisjon. |
| | Viftebryteren har sviktet | Kontakt servicesenter. |
| | Motoren har sviktet | Kontakt servicesenter. |
| Lampen virker ikke, og motoren virker ikke | Sikringen er gått | Tilbakestill/bytt sikringen. |
| | Strømkabelen løs eller frakoblet | Sett strømkabelen i stikkontakten på nytt. Slå på stikkontakten. |
| Oljelekkasje | Enveisventilen og uttaket er ikke tett forseglet | Ta av enveisventilen, og tett igjen med tetningsmasse. |
| | Lekkasje fra tilkoblingen av skorstein og deksel | Ta skorsteinen ned og tett igjen. |
| Lampene virker ikke | Pærer har gått eller sviktet | Bytt pærer etter denne instruksjonen. |
| Utilstrekkelig sugekraft | Avstanden mellom avtrekkshetten og komfyren er for lang | Monter avtrekksviften på riktig avstand. |
| Avtrekkshetten er skeiv | Festeskruen er ikke tett nok | Stram hengeskruen og gjør den vannrett. |



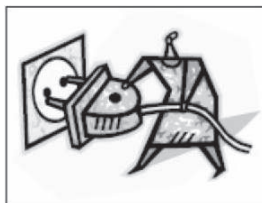
MERK:

Eventuell elektrisk reparasjon av apparatet må gjøres i henhold til gjeldende lovverk. Hvis du har tvil, kontakter du servicesenteret før du gjør noe av det ovenstående. Koble alltid enheten fra strømkilden når du åpner enheten.

VEDLIKEHOLD OG RENGJØRING

Forsiktig:

- Før vedlikehold eller rengjøring må avtrekkshetten kobles fra strømforsyningen. Kontroller at avtrekkshetten er slått av ved stikkkontakten og at støpselet er tatt ut.



- Eksterne overflater er utsatt for riper og slitasje. Følg derfor rengjøringsinstruksjonene for å sikre best mulig resultat uten skade.

GENERELT

Rengjøring og vedlikehold bør utføres når apparatet er kaldt, spesielt rengjøring. Unngå å la det være alkaliske eller sure stoffer (sitronsaft, eddik osv.) igjen på overflatene.

RUSTFRITT STÅL

Rustfritt stål må rengjøres regelmessig (f.eks. hver uke) for å sikre lang levetid. Tørk av med en ren, myk klut. Spesialisert rensevæske for rustfritt stål kan brukes.

MERK:

Sørg for at du tørker av i retningen til kornet til det rustfrie stålet for å hindre at du skraper opp og lager kryssmønstre.

KONTROLLPANELET'S OVERFLATE

Det innlagte kontrollpanelet kan rengjøres med varmt såpevann. Kontroller at kluten er ren og godt vridd før rengjøring. Bruk en tørr, myk klut for å fjerne overflødig fuktighet igjen etter rengjøring.

Viktig

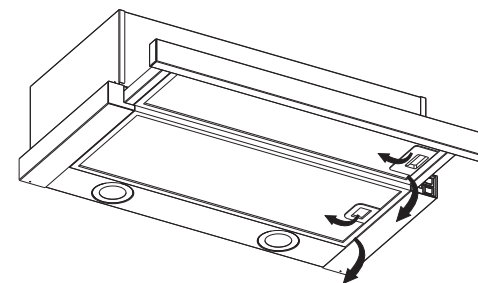
Bruk nøytrale rengjøringsmidler og unngå å bruke harde rengjøringsmidler, sterke husholdningsvaskemidler eller produkter med slipemidler, da dette vil påvirke utseendet på apparatet og muligens fjerne eventuell grafikk på kontrollpanelet og ugyldiggjøre produsentens garanti.

MASKE-FETTFILTER

Maskefiltrene kan rengjøres for hånd. Bløt dem opp i ca. 3 minutter i vann lett rengjøringsmiddel, og puss forsiktig med en myk børste. Ikke bruk for mye trykk for å unngå skade. (La det tørke naturlig og ikke i direkte sollys). Filtre bør vaskes separat fra servise og kjøkkenutstyr. Det anbefales ikke å bruke skyllemiddel.

MONTERING AV MASKE-FETTFILTER

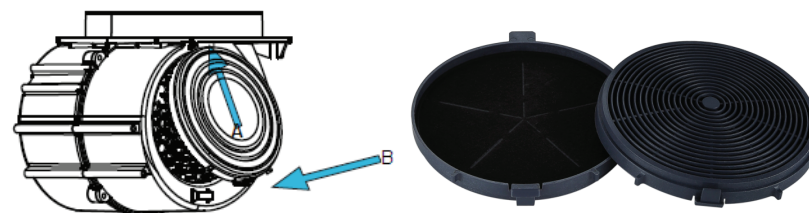
- Installere filtre ved å følge de følgende fire trinnene.
 - Vinkle filteret inn i sporene på baksiden av avtrekkshetten.
 - Trykk knappen på håndtaket til filteret.
 - Løsne håndtaket når filteret er på plass.
 - Gjenta for montering av alle filtre.



KULLFILTER (Leveres separat)

Aktivert kullfilter kan brukes til å fange lukt. Det aktiverte kullfilteret bør normalt skiftes hver 3. til 6. måned alt etter hvordan og hvor ofte du lager mat. Monteringsprosedyren for det aktiverte kullfilteret er som følger.

1. Før du monterer eller bytter kullfiltre, må du kutte strømmen til enheten.
2. Sett tappen på kullfilteret inn i det rektangulære hullet på viften (i henhold til pilen A vist nedenfor)
3. Skyv den andre siden av kullfilteret mot viften for å gjøre det flatt (i henhold til pilen B vist), og trykk deretter filteret inn i viften.
4. Hvis du vil fjerne filteret, trykker du festeordningen til filteret og fjerner det ved å vri mot klokken.



MERK:

- Sørg for at filteret er satt godt på. Ellers kan det løsne og føre til fare.
- Når det aktiverte kullfilteret er festet, reduseres sugeevnen.

BYTTE PÆRE

Viktig:



- ✧ Pæren må byttes ut av produsenten, serviceagenten eller tilsvarende kvalifiserte person.
- ✧ Slå alltid av strømforsyningen før du gjør noe med apparatet. Når du skal håndtere pæren, må du sørge for at den er helt avkjølt før du tar på det med hendene.
- ✧ Ved håndtering av pærer må du holde dem med en klut eller hansker for å sikre at svette ikke kommer i kontakt med pæren, da dette kan redusere levetiden til pæren.

Merk:

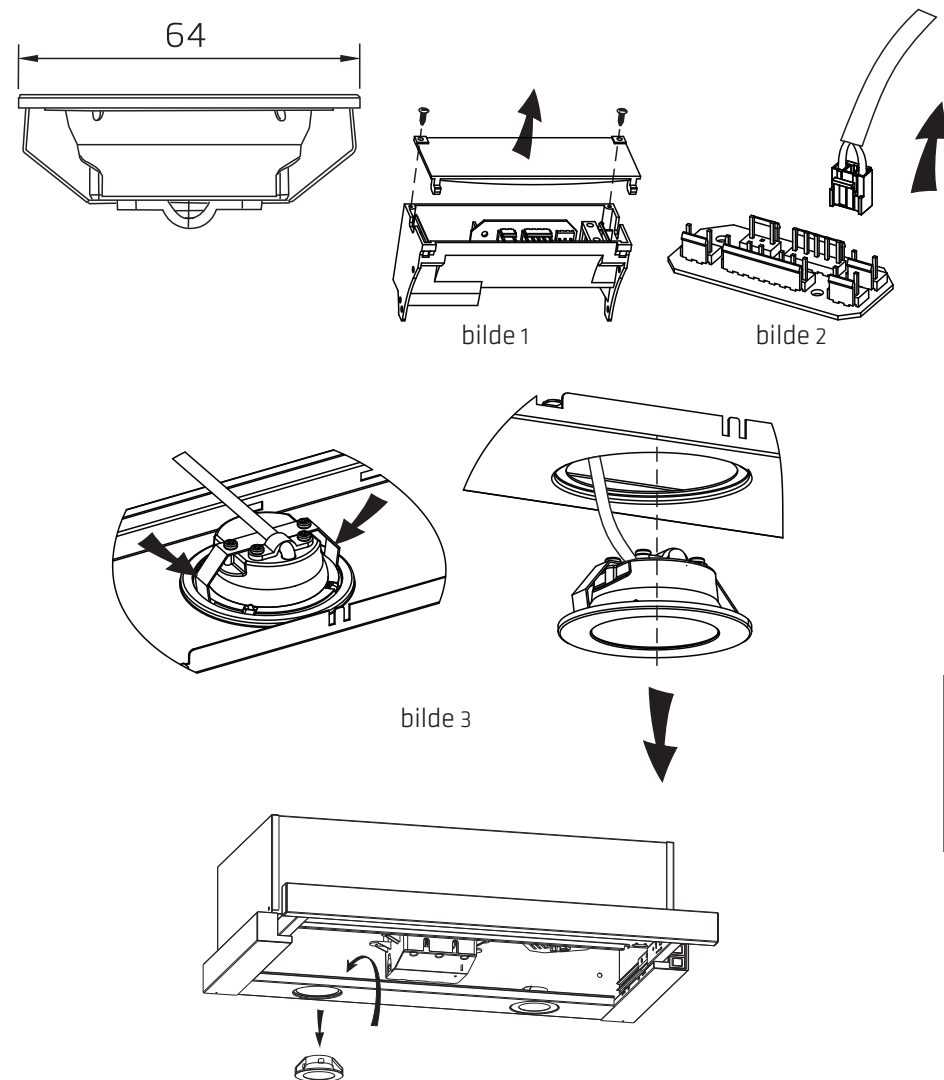
- Før du skifter lampen, må du sørge for at apparatet er slått av og koblet fra.
- Beskytt deg mot fare når du skifter lys, for eksempel ved å bruke hansker.

Skifte lampene:

- Fjern fettfilteret.
- Finn koblingsboksen, skru opp skruene på koblingsboksdekselet, og ta det av. (Hvis det er en ledningpresseplate som holder lampeledningen, må platen demonteres først). Se bilde 1.
- Finn tilkoblingskontakten på lampetilkoblingsledningen, og trekk den ut. Se bilde 2.
- Bruk et verktøy eller hendene til å trykke fjærskiven på begge sider av LED-lyset på innsiden til lyset er presset ut, og trekk deretter lampetilkoblingsledningen ut. Se bilde 3.
- Gjør dette i omvendt rekkefølge for å installere lampen på nytt.

ILCOS D-koden for denne lampen er: DSR-1.5/65-S-64

- LED-moduler - rund lampe
- Maksimal effekt: 2*1.5W
- Spenningsområde: DC 12V
- Mål:



Spesifikasjoner:

Modellnr.: POHO5060TELB POHO5060TELW
Merkespenning: 220-240V~, 50Hz
Nominell motoreffekt: 60W
Lampeeffekt: 2*1.5W
Samlet effekt: 63W

| Cooker hood Data sheet | | | | |
|--|----------------------------|-----------|-------------------|----|
| Merkenavn | Point | | | |
| Type/Modell | POHO5060TELB POHO5060TELOW | | | |
| Årlig strømforbruk | AEC heete | 22.1 | kWh | |
| Energieffektivitetsindeks | EEL heete | 52.2 | - | |
| Væskedynamisk effektivitet | FDE heete | 18 | - | |
| Belysningseffektivitet (i watt) | LE heete | 51.3 | lux/W | |
| Fettfiltreringshastighet (i %) | GFE heete | 67.5 | - | |
| Luftstrømningshastighet på beste effektivitetspunkt | Q BEP | 167.1 | m ³ /t | |
| Lufttrykk på beste effektivitetspunkt | P BEP | 182 | Pa | |
| Maksimal luftstrøm | Q maks | 335.1 | m ³ /t | |
| Driftspoeng høyeste innstilling | | 327.5 | m ³ /t | |
| Driftspoeng laveste innstilling | | 174.5 | m ³ /t | |
| Strøminngang på beste effektivitetspunkt | W BEP | 47.1 | W | |
| Nominell effekt til belysningssystemet | W L | 3.0 | W | |
| Gjennomsnittlig belysning til belysningssystemet på kokeflaten | E midt | 153.9 | LUX | |
| Strømforbruk i ventemodus | P s | 0.48 | W | |
| Strømforbruk når avslått | P o | - | W | |
| Lydtrykknivå | Lwa | min./max. | 52/66 | dB |

MILJØVERN:



Dette produktet er merket med symbolet for kildesortering av kassert elektronisk utstyr. Dette betyr at produktet ikke skal kastes sammen med husholdningsavfall men må kasseres i henhold til et system for kildesortering i samsvar med direktiv 2012/19/EU. Det vil da bli resirkulert eller demontert for å minimere påvirkningen på miljøet. Elektriske og elektroniske produkter er potensielt farlige for miljøet og menneskers helse da de inneholder farlige stoffer. Du kan få mer informasjon ved å kontakte din lokale eller regionale myndighet.

MERK:

Følgende viser hvordan man kan redusere total miljøpåvirkning (dvs. energibruk) under matlaging

- (1) Monter avtrekkshetten på et hensiktsmessig sted med effektiv ventilasjon.
- (2) Rengjør avtrekkshetten regelmessig for ikke å blokkere luftveien.
- (3) Husk å slå av lampen på avtrekkshetten etter matlaging.
- (4) Husk å slå av avtrekkshetten etter matlaging.

INFORMASJON OM DEMONTERING

Ikke demonter apparatet på en måte som ikke er vist i bruksanvisningen. Apparatet skal ikke demonteres av brukeren. Ved slutten av livet skal apparatet ikke kastes sammen med husholdningsavfall. Forhør deg med lokal myndighet eller forhandleren for råd om resirkulering.

Power International AS,
Postboks 523, N-1471 Lørenskog, Norge

Power Norge:
<https://www.power.no/kundeservice/>
T: 21 00 40 00

Power Danmark:
<https://www.power.dk/kundeservice/>
T: 70 33 80 80

Punkt 1 Danmark:
<https://www.punkt1.dk/kundeservice/>
T: 70 70 17 07

Power Finland:
<https://www.power.fi/tuki/asiakaspalvelu/>
T: 0305 0305

Power Sverige:
<https://www.power.se/kundservice/>
T: 08 517 66 000

TURVALLISUUSOHJEET

Tässä käyttöoppaassa selitetään liesituulettimen oikea asennus ja käyttö. Lue se huolellisesti ennen käyttöä, vaikka tuote olisi sinulle tuttu. Säilytä käyttöopas tallessa tulevaa käyttöä varten.

Älä koskaan:

- Yritä käyttää liesituuletinta ilman rasvansuodattimia, tai jos suodattimet ovat hyvin rasvaisia!
- Älä asenna sellaisen lieden yläpuolelle, jossa on korkeatasoinen grilli.
- Älä jätä paistinpannuja valvomatta käytön aikana, ylikuumentunut rasva tai öljy voi aiheuttaa tulipalon.
- Älä koskaan jätä avotulta liesituulettimen alle.
- Jos liesituuletin on vahingoittunut, älä yritä käyttää sitä.
- Älä liekitä liesituulettimen alla.
- **FVAARA:** Käsiksi päästävät osat voivat kuumentua ruoanlaittolaitteita käytettäessä.
- Minimietäisyyden lieden ruoanlaittoastioita tukevan pinnan ja liesituulettimen matalimman osan välillä tulee olla vähintään 65 cm. (Kun liesituuletin sijaitsee kaasulieden yläpuolella).
- Ilmaa ei saa virrata kanavaan, jota käytetään pakokaasujen poistamiseen laitteista, jotka polttavat kaasua tai muita polttoaineita.



Aina tehtävä:

- Tärkeää! Kytke verkkovirta aina pois päältä asennuksen ja huollon aikana, kuten lamppua vaihdettaessa.
- Liesituuletin on asennettava asennusohjeiden mukaisesti ja kaikkia toimenpiteitä on noudatettava.
- Asennustyöt saa suorittaa vain asiantunteva henkilö tai pätevä sähkötekniikko.
- Hävitä pakkausmateriaali huolellisesti. Se voi olla vaarallista lapsille.
- Kiinnitä huomiota teräviin reunoihin liesituulettimen sisällä, erityisesti asennettaessa ja puhdistettaessa.
- On suositeltavaa, ettei putkistossa ole 90 asteen jyrkempiä mutkia koska ne vähentävät liesituulettimen tehokkuutta.
- Varoitus: Jos ruuveja tai kiinnityslaitetta ei kiinnitetä näiden ohjeiden mukaisesti, seurauksena voi olla sähköiskun vaara.
- Varoitus: Ennen toimenpiteiden tekemistä liittimissä, kaikki virtapiirit on suljettava.
- Aseta aina kannet kattiloiden päälle, kun valmistat ruokaa kaasuliedellä.
- Poistotilassa ollessaan liesituuletin poistaa ilmaa huoneesta. Varmista, että ilmanvaihto tapahtuu tarkoitetulla tavalla. Liesituuletin poistaa huoneesta hajuja, mutta ei höyryä.

- Liesituuletin on tarkoitettu vain kotitalouskäyttöön.

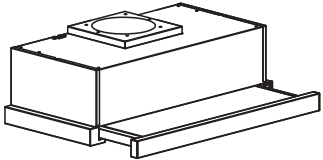
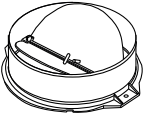


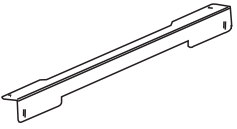


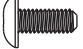
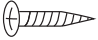




- Jos virtajohto on vahingoittunut, sen saa vaaran välttämiseksi vaihtaa uuteen vain valmistaja, valmistajan valtuuttama huoltoedustaja tai muu vastaavalla tavalla pätevä henkilö.
- Tätä laitetta saavat käyttää yli 8-vuotiaat lapset ja sellaiset henkilöt, joiden fyysiset tai henkiset kyvyt tai aistit ovat rajoittuneet tai joilla ei ole tarvittavaa kokemusta ja tietoa, jos heidän turvallisuudestaan vastuussa oleva henkilö valvoo tai opastaa heitä laitteen turvalliseen käyttöön ja selittää siihen kuuluvat vaarat. Lapset eivät saa leikkiä laitteella. Lapset eivät saa suorittaa puhdistustoimia tai käyttäjän kunnossapitotoita ilman valvontaa.
- Vaara: Laitteen kosketettavissa olevat osat voivat kuumentua käytössä. Vältä kuumennuselementtien koskettamista Alle 8-vuotiaiden lasten tulee pysytellä poissa laitteen luota, jollei heitä valvota jatkuvasti.
- Huoneessa tulee olla riittävä ilmanvaihto, kun liesituuletinta käytetään kaasulla tai muilla polttoaineilla toimivilla liesillä.
- Syntyy tulipalovaara, jollei puhdistusta suoriteta ohjeiden mukaisesti.
- Säädöksiä ilman poistamisesta tulee noudattaa.



- Puhdista laite säännöllisesti KUNNOSSAPITO-luvussa kuvatuilla tavoilla.
- Käytä turvallisuussyistä vain tässä käyttöoppaassa suositeltuja saman kokoisia kiinnitysruuveja.
- Katso lisätietoja puhdistuksen ajankohdasta ja menetelmästä käyttöoppaan ylläpito- ja puhdistusosasta.
- Lapset eivät saa suorittaa puhdistus- tai ylläpitotoimia ilman valvontaa.
- Kun liesituuletin ja liedet, jotka toimivat muulla kuin sähköllä, ovat käytössä yhtä aikaa, huoneen alipaine ei saa olla suurempi kuin 4 Pa (4 x 10⁻⁵ baria).
- VAROITUS: Tulipalovaara: älä säilytä mitään tavaroita kypsennyspinnoilla.
- Höyrypuhdistinta ei saa käyttää.
- ÄLÄ KOSKAAN yritä sammuttaa tulta vedellä, vaan kytke laite pois päältä ja peitä liekki kannella tai sammutuspeitteellä.

Toimitukseen kuuluvat osat

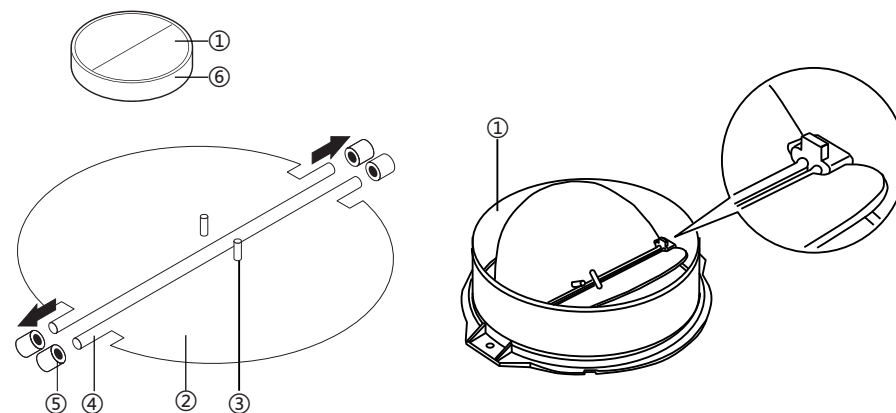
| Kuvaus | Kuva | Määrä |
|---------------------------|---|-------|
| Liesituuletin |  | 1 |
| Poistoaukko & V-läppä |  | 1 |
| Kulmakannake |  | 2 |
| Välilevy $\Phi 4*20*1$ mm |  | 6 |
| Levy I |  | 1 |
| Ruuvi ST4 X 8 |  | 2 |
| Ruuvi M4mm X 35mm |  | 6 |
| Ruuvi M4mm X 10mm |  | 2 |
| Ruuvi ST3mm X 12mm |  | 2 |
| Ruuvi ST4mm X 30mm |  | 4 |
| Pistorasia |  | 4 |

ASENNUS (ILMANVAIHTO ULOS) V-LÄPÄN KIIINNITTÄMINEN

Jos liesituulettimessa ei ole koottuna V-läppä 1:tä, sinun tulee kiinnittää puolikasosat sen runkoon. Kuvissa näytetään vain esimerkki kuinka V-läppä kiinnitetään, koska poistoputki voi vaihdella eri mallien ja kokoonpanojen mukaan.

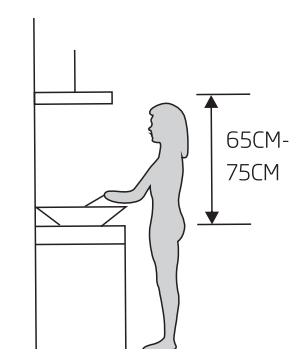
V-läppä 1:n kiinnittämiseksi sinun tulee:

- Kiinnittää kaksi puoliosaa 2 runkoon 6
- Tangon 3 tulee olla suunnattuna ylös;
- Akseli 4:n tulee olla liitetty reikiin 5 rungossa;
- Toista samat toimenpiteet toiselle puoliosalle

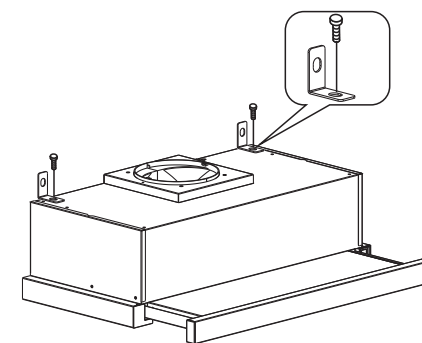


ASENNUS (Seinäkiinnitys)

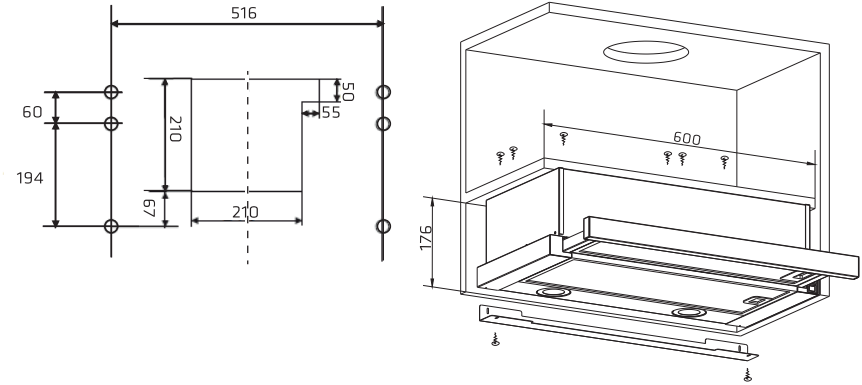
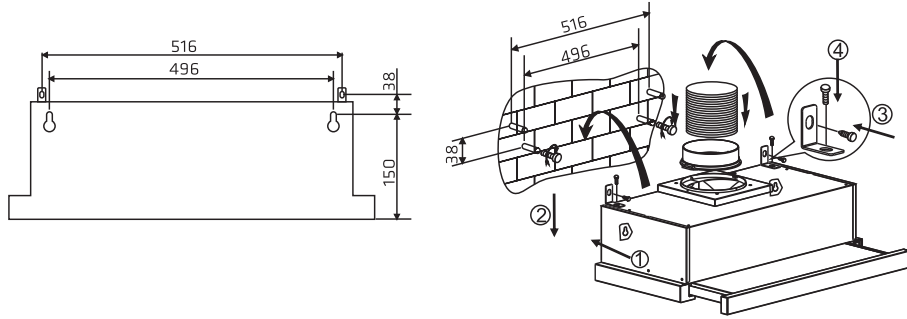
1. Päätä liesituulettimen kiinnitysreikien sijainti.



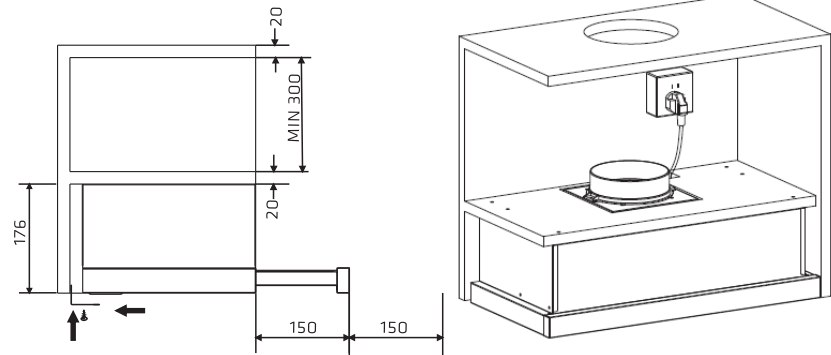
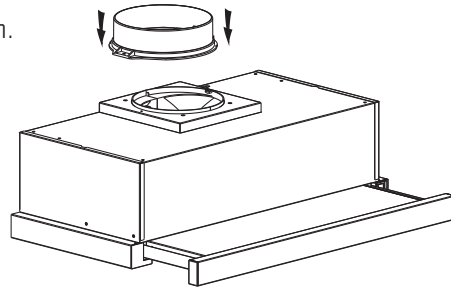
2. Asenna L-muotoinen kiinnike liesituulettimen päälle kahdella ruuvilla (4 x 10 mm)



3. Liesituulettimen seinäkiinnitys tehdään 4 ruuvilla(4 x 30 mm) ja muovitulpalla. Kiinnitä liesituuletin seinään liesituulettimen takaa 2 ruuvilla (4 x 30 mm) ja muovitulpalla. Kiinnitä sitten liesituuletin seinään 2 ruuvilla(4 x 30 mm) ja muovitulpalla pienen L-muotoisen kannakkeen läpi.

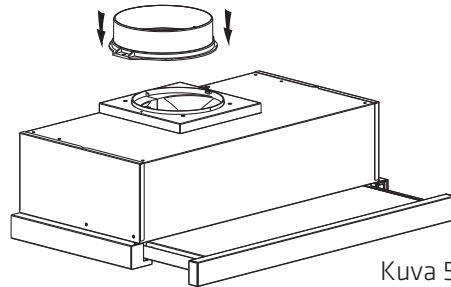


4. Kiinnitä poistoputki liesituulettimeen.



ASENNUS (Kaappikiinnitys)

1. Kiinnitä poistoputki liesituulettimeen kahdella ruuvilla (ST4*8). Kiinnitä sitten laajennusputki poistoaukkoon ja johda se ulos. Katso Kuva 5.



Kuva 5

2. Pora 6 * 6 mm:n reiät kaapin listaan. Ja kiinnitä liesituuletin kaappiin 6 ruuvilla (4 x 35 mm) ja litteillä välilevyillä. Katso Kuva 6.

Jos seinän ja liesituulettimen välissä on rako, voit asentaa L-muotoisen kannakkeen liesituulettimen pohjaan kahdella ruuvilla (3 x 12 mm). L-muotoisen kannakkeen asennus on vallinnainen. Huomautus: Laajennusputki ei kuulu tuotteen toimitukseen.

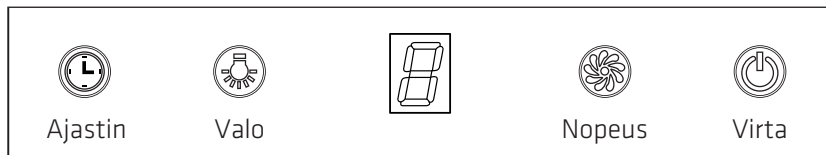
VAROITUS:



- Käytä turvallisuussyistä vain tässä käyttöoppaassa suositeltuja saman kokoisia kiinnitysruuveja.
- Jos ruuveja tai kiinnityslaitetta ei kiinnitetä näiden ohjeiden mukaisesti, seurauksena voi olla sähköiskun vaara.

Liesituulettimen käytön aloittaminen

Kosketa LED-näytön ohjainta



1. Paina "Virta"-painiketta, liesituulettimen "Päälle" ja "Pois" -painiketta.
2. Jatka "Nopeus"-painikkeen painamista. moottori toimii nopeudella matala / keski / korkea / matala / keski..., nopeus kiertää tässä järjestyksessä ja LED-näytössä näkyvät kiertäen numerot 1-2-3-1-2...
3. Paina "Valo"-painiketta. Valo menee Päälle. Paina painiketta uudelleen, valo sammuu. Painikkeen jatkuva painaminen sytyttää ja sammuttaa valoa jatkuvasti.
4. Kun liesituuletin on päällä ja painat "Ajastin"-painiketta, liesituuletin siirtyy myöntyvään toimintatilaan (myöntyväisyysaika on 9 min), jonka jälkeen LED-näytössä näkyy "9-8-7...-1-0", kun "0" näkyy näytössä, liesituuletin sammuu automaattisesti. "Ajastin"-painikkeen painamisen jatkaminen siirtää liesituulettimen "Ajastin"-toiminnon päälle tai pois.

VIANETSINTÄ

| Vika | Mahdollinen syy | Ratkaisu |
|-------------------------------------|---|---|
| Valo palaa, mutta moottori ei toimi | Tuulettimen kytkin kytketty pois | Valitse tuuletinkytkimen asento |
| | Tuulettimen kytkeminen epäonnistui | Ota yhteyttä huoltokeskukseen. |
| | Moottorivika | Ota yhteyttä huoltokeskukseen. |
| Valo ei pala, moottori ei toimi | Sulake palanut | Nollaa/vaihda sulakkeet. |
| | Virtakaapeli löysällä tai irti | Liitä virtakaapeli uudelleen pistorasiaan. Kytke pistorasia päälle. |
| Öljyvuoto | Yksisuuntainen venttiili ja ilmanvaihtoaukko eivät ole tiukasti tiivistettyjä | Irrota yksisuuntainen venttiili ja tiivistä se tiivistysaineella. |
| | Vuoto hormin ja kannen liitännästä | Laske hormi alas ja tiivistä. |
| Valot eivät toimi | Rikkiäiset tai vialliset lamput | Vaihda lamput tämän ohjeen mukaisesti. |
| Riittämätön imu | Liesituulettimen ja kaasulieden välinen etäisyys on liian pitkä | Kiinnitä liesituuletin uudelleen oikealle etäisyydelle. |
| Liesituuletin kallellaan | Kiinnitysruuvi ei ole tarpeeksi tiukalla | Kiristä ripustusruuvi ja tee siitä vaakasuora. |



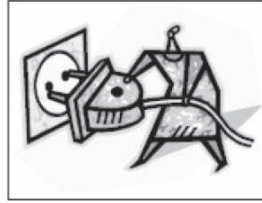
HUOMAUTUS:

Kaikkien tämän laitteen sähkötöiden tulee noudattaa kansallisia lakeja. Ota yhteyttä huoltokeskukseen, jos sinulla on epäilyksiä ennen mihinkään yllä olevaan toimenpiteeseen ryhtymistä. Irrota laite aina ensin virtalähteestä, kun avaat laitteen.

KUNNOSSAPITO JA PUHDISTUS

Vaara:

- Ennen kunnossapidon ja puhdistuksen suorittamista, liesituuletin tulee irrottaa verkkovirrasta. Varmista, että liesituuletin on kytketty pois päältä irrottamalla pistoke pistorasiasta.
- Ulkopinnat ovat alttiita naarmuuntumiselle ja hioutumiselle, joten noudata puhdistusohjeita saadaksesi parhaat mahdolliset tulokset vahinkoja aiheuttamatta.



YLEISTÄ

Puhdistus ja kunnossapito tulee suorittaa laitteen ollessa kylmä, erityisesti puhdistaminen. Vältä emäksisten tai happamien materiaalien (sitruunamehu, etikka jne.) jättämistä pinnoille.

RUOSTUMATON TERÄS

Ruostumaton teräs on puhdistettava säännöllisesti (esim. viikoittain) pitkän käyttöiän varmistamiseksi. Erityistä ruostumattoman teräksen puhdistusainetta voi myös käyttää.

HUOMAUTUS:

Varmista, että pyyhkiminen tapahtuu ruostumattoman teräksen pintarakenteen myötäisesti välttääksesi näkymättömien riistiinpyyhintäkuvioiden ilmaantumisen.

OHJAUSPANEELIN PINTA

Upotetun ohjauspaneelin voi puhdistaa lämpimällä pesuaineliuksella. Varmista, että liina on puhdas ja väännetty ennen puhdistusta. Käytä kuivaa, pehmeää liinaa liian kosteuden poistamiseen puhdistuksen jälkeen.

Tärkeää

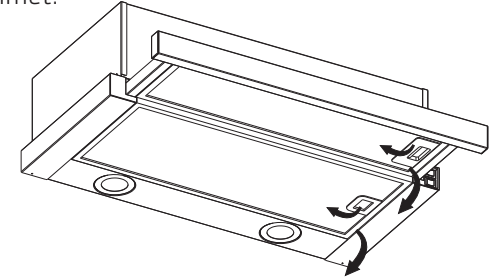
Käytä neutraaleja puhdistusaineita ja vältä voimakkaiden puhdistuskemikaalien, väkevien kotitalouspuhdistusaineiden tai tuotteiden, jotka sisältävät hiovia aineita, käyttämistä, koska ne vaikuttavat laitteen ulkoasuun ja poistavat mahdollisesti ohjauspaneelin somisteet ja mitätöivät valmistajan takuun.

RASVAN VERKKOSUODATTIMET

Verkkosuodattimet voi puhdistaa käsin. Liota niitä vedessä ja miedossa pesuaineessa noin 3 minuuttia ja harjaa varovasti puhtaaksi pehmeällä harjalla. Älä käytä liikaa painetta välttääksesi suodattimen vahingoittumisen. (Anna kuivua luonnollisesti poissa auringonpaisteesta)
Suodattimet tulee pestä erillään astioista ja keittiövälineistä. On suositeltavaa olla käyttämättä huuhteluainetta.

RASVAN VERKKOSUODATTIMIEN ASENNUS

- Asenna suodattimet seuraavilla neljällä vaiheella.
- Aseta suodatin kulmittain aukkoihin liesituulettimen takana.
- Paina suodattimen kahvassa olevaa painiketta.
- Vapauta kahva, kun suodatin kiinnittyy lepoasentoonsa.
- Toista asentaaksesi kaikki suodattimet.

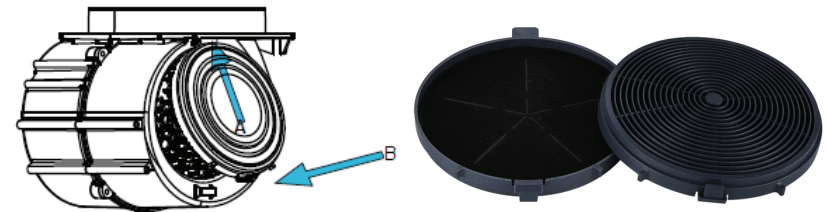


HIILISUODATIN (Toimitetaan erikseen)

Aktiivihiiisuodatinta voidaan käyttää hajujen suodattamiseen. Hiilisuodatin tulee vaihtaa normaalisti kolmesta kuuden kuukauden välein ruoanvalmistustapasi mukaan.

Aktiivihiiisuodattimen asennustoimenpide on seuraava.

1. Ennen hiilisuodattimien asennusta tai vaihtoa, kytke laitteen virta pois päältä.
2. Aseta hiilisuodattimen taji tuulettimen nelikulmaiseen reikään (kuten alla olevassa kuvassa A)
3. Paina hiilisuodattimen toinen puoli kohti tuuletinta litistääksesi sen (kuten nuoli B näyttää) ja paina sitten suodatin tuulettimeen.
4. Jos haluat poistaa suodattimen, paina kiinnikettä ja poista se vastapäivään kiertämällä.



HUOMAUTUS:

- Varmista, että suodatin on lukittu kunnolla. Muute se voi löystyä ja aiheuttaa vaaran.
- Kun aktiivihiiisuodatin kiinnitetään, imuteho laskee.

LAMPUN VAIHTAMINEN

Tärkeää:



- ✧ Lampun voi vaihtaa valmistaja, tämän huoltoedustaja tai vastaavasti pätevä henkilö.
- ✧ Kytke virransyöttö aina pois päältä ennen minkään huoltotoimenpiteen tekemistä laitteelle. Kun käsittelet lampua, varmista, että se on kokonaan jäähtynyt ennen suoraa kosketusta.
- ✧ Käsitellessäsi lampuja pitele niin liinalla tai hansikkailla varmistaaksesi, ettei hiki joudu kosketuksiin lampun kanssa, koska se voi lyhentää lampun käyttöikää.

Huomautus:

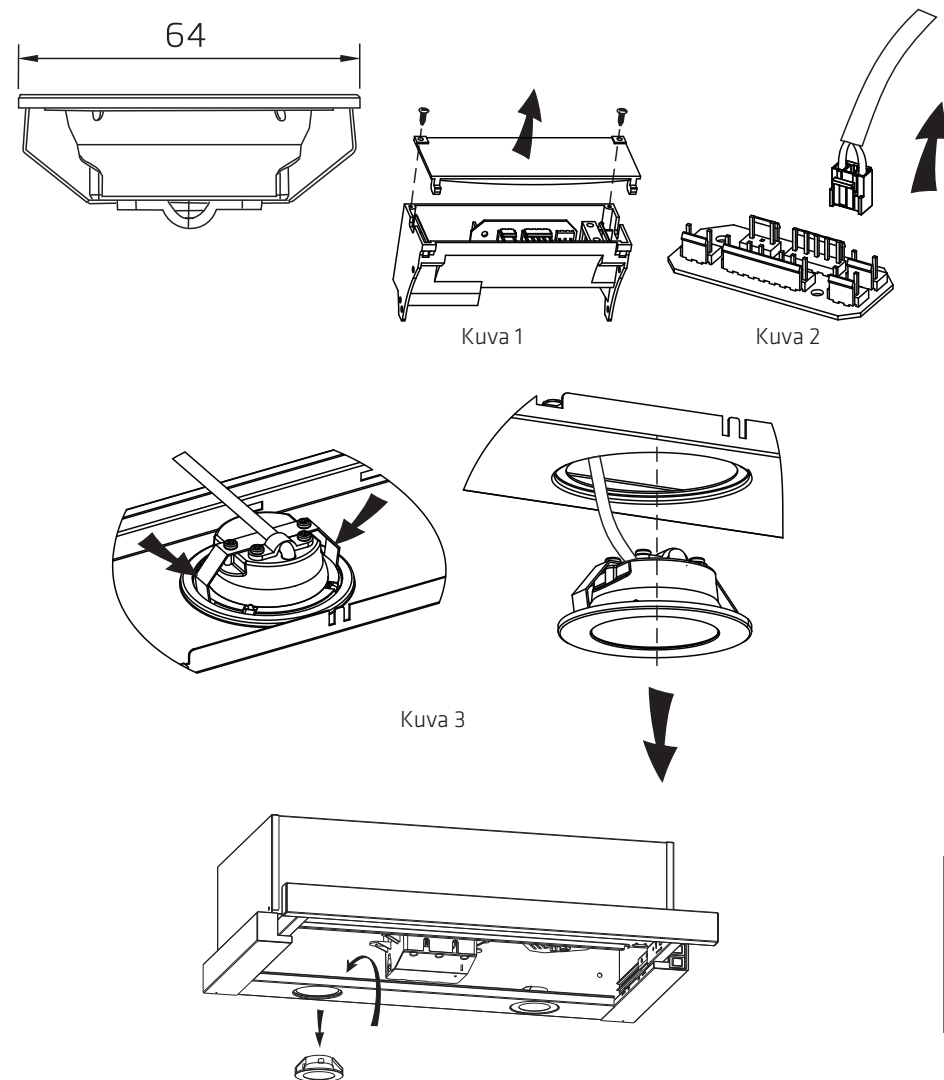
- Ennen lampujen vaihtamista, varmista, että laite on kytketty pois päältä ja irrotettu verkkovirrasta.
- Suojaa vaaralta lampuja vaihdettaessa, kuten käsineiden käyttäminen.

Lampujen vaihtaminen

- Poista rasvasuodatin.
- Etsi kytkentäkotelo, avaa kytkentäkotelon kannen ruuvit, irrota sitten kytkentäkotelon kansi (jos käytössä on johtokiinnike, joka pitää kiinni lampun johtoa, se on irrotettava ensin). Katso Kuva 1.
- Etsi lampun liitäntäjohdon pääte ja vedä se ulos. Katso Kuva 2.
- Käytä työkalua tai käsiäsi painaaksesi molemmin puolin LED-valoa olevaa jousipidikettä sisään päin, kunnes valo on painettu ulos, katso kuva 3.
- Poista lampun asennus noudattaen vaiheita käänteisesti.

Tämän lampun ILCOS D -koodi on: DSR-1.5/65-S-64

- LED-moduulit – pyöreä lamppu
- Maksimiteho: 2*1.5W
- Jännitealue: DC 12V
- Mitat:



Tekniset tiedot:

- Mallinumero: POHO5060TELB POHO5060TELOW
- Nimellisjännite: 220-240V~, 50Hz
- Nimellismuottoriteho: 60W
- Lampun teho: 2*1.5W
- Kokonaisteho: 63W

| Liesituuletin | | Tietotaulukko | | |
|---|------------------------------|---------------|-------|-------------------|
| Tuotemerkin nimi | POINT | | | |
| Tyyppi/malli | POHO5060TELB POHO5060TELW | | | |
| Vuotuinen energiankulutus | AEC- liesituuletin | 22.1 | | kWh |
| Energiatehokkuusindeksi | EEL- liesituuletin | 52.2 | | - |
| Nesteen dynaaminen tehokkuus | FDE- liesituuletin | 18 | | - |
| Valaistustehokkuus (wattia) | LE- liesituuletin | 51.3 | | luksi/W |
| Rasvansuodatusnopeus (%) | GFE- liesituuletin | 67.5 | | - |
| Ilmavirran nopeus parhaassa tehokkuuskohdassa | Q BEP | 167.1 | | m ³ /h |
| Ilmanpaine parhaassa tehokkuuskohdassa | P BEP | 182 | | Pa |
| Maksimi ilmavirta | Q maks | 335.1 | | m ³ /h |
| Toimintapisteiden korkein asetus | | 327.5 | | m ³ /h |
| Toimintapisteiden matalin asetus | | 174.5 | | m ³ /h |
| Sähkötehonsyöttö parhaassa tehokkuuskohdassa | W BEP | 47.1 | | W |
| Valaistusjärjestelmän nimellisteho | W L | 3.0 | | W |
| Valaistusjärjestelmän keskimääräinen valo ruoanlaittopinnalla | E keski | 153.9 | | LUKSI |
| Virrankulutus valmiustilassa | P _s | 0.48 | | W |
| Virrankulutus pois päältä -tilassa | P _o | - | | W |
| Äänitehon taso | L _{wa} | min./maks. | 52/66 | dB |

YMPÄRISTÖNSUOJELU



Tämä tuote on merkitty sähkölaiteromun valikoivan lajittelun symbolilla. Tämä tarkoittaa, että tätä tuotetta ei saa hävittää kotitalousjätteen mukana, vaan tuettuun valikoivaan keräysjärjestelmään 2012/19/EU-direktiivin mukaisesti. Tällöin tuote kierrätetään tai puretaan ympäristövaikutusten minimoimiseksi. Sähköiset ja elektroniset tuotteet ovat potentiaalisesti vaarallisia ympäristölle ja ihmisten terveydelle niiden vaarallisten aineiden vuoksi. Saat lisätietoja paikallisilta tai alueellisilta viranomaisilta.

HUOMAUTUS:

Seuraavassa näytetään, kuinka vähennetään kokonaisympäristövaikutusta (eli energiankulutusta) kypsennysprosessissa.

- (1) Asenna liesituuletin oikeaan paikkaan, jossa on tehokas ilmanvaihto.
- (2) Puhdista liesituuletin säännöllisesti, jotta sen ilmanava ei tukkeudu.
- (3) Muista kytkeä liesituulettimen lamppu pois päältä ruoanlaiton jälkeen.
- (4) Muista kytkeä liesituuletin pois päältä ruoanlaiton jälkeen.

PURKAMISOHJEET

Älä pura laitetta tavalla, jota ei ole selitetty käyttöoppaassa. Käyttäjä ei saa purkaa laitetta.

Laitetta ei saa käyttöikänsä päässä hävittää kotitalousjätteen mukana. Kysy paikallisilta viranomaisilta tai jälleenmyyjältä kierrätysohjeet.

Power International AS,
PO Box 523, N-1471 Lørenskog, Norway

Power Norjassa:
<https://www.power.no/kundeservice/>
P: 21 00 40 00

Power Tanskassa:
<https://www.power.dk/kundeservice/>
P: 70 33 80 80

Punkt 1 Tanskassa:
<https://www.punkt1.dk/kundeservice/>
P: 70 70 17 07

Power Suomessa:
<https://www.power.fi/tuki/asiakaspalvelu/>
P: 0305 0305

Power Sverige:
<https://www.power.se/kundservice/>
P: 08 517 66 000

SIKKERHEDSANVISNINGER

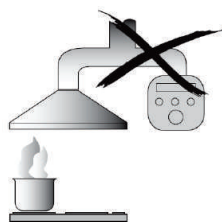
I denne vejledning forklares den korrekte monteringsmåde og brug af din emhætte. Læs den omhyggeligt, før du bruger produktet, også selvom du er bekendt med produktet. Vejledningen skal beholdes til senere reference.

Du må aldrig:

- Bruge aldrig emhætten uden monterede fedtfiltere samt hvis filterene er for snavsede!
- Monter ikke over et komfur med høj grill.
- Efterlad ikke stegepander uden opsyn, når de er i brug, da overophedet fedt eller olie kan bryde i brand.
- Efterlad aldrig åbne flammer under emhætten.
- Hvis emhætten er beskadiget, må du ikke bruge den.
- Foretag ikke flambering under emhætten.



- **FORSIGTIG:** Tilgængelige dele kan blive varme, når du bruger kogepladerne.
- Mindsteafstanden mellem komfurets overflade og emhættens nederste del er 65 cm (når emhætten monteres over et gaskomfur).
- Aftræksluften må ikke ledes sammen med aftræk fra komfur med gas eller andre brandbare stoffer.



Du skal altid:

- Vigtigt! Sluk altid for hovedstrømafbryderen, når emhætten monteres eller serviceres, herunder hvis du fx skal skifte en pære i emhætten.
- Emhætten skal monteres iht. monteringsvejledningen, og alle angivne mål skal overholdes.
- Alt monteringsarbejde skal udføres af en kompetent person eller autoriseret elektriker.
- Bortskaf emballagen korrekt. Må ikke overlades til børn.
- Vær opmærksom på de skarpe kanter indeni emhætten, og særligt under montering og rengøring.
- Aftrækskanalen bør ikke have bøjninger, som er skarpere end 90 grader, da dette vil reducere emhættens effektivitet.
- Advarsel: Hvis monteringen af skruer eller beslag ikke foretages iht. denne vejledning, kan det medføre elektrisk stød.
- Advarsel: Før du åbner for adgang til strømterminaler, skal du afbryde strømmen.
- Læg altid lå på gryder og pander, når du bruger et gaskomfur.
- Når emhætten er i brug, trækkes luft ud af rummet. Sørg for at have tilstrækkelig med ventilation. Emhætten fjerner lugt fra lokalet, men ikke nødvendigvis damp.

- Emhætten er kun til husholdningsbrug.



- Hvis ledningen beskadiges, skal den skiftes af producenten, dennes servicerepræsentant eller en tilsvarende kvalificeret fagmand, så enhver fare undgås.
- Dette apparat må ikke bruges af børn under 8 år og af personer med nedsatte fysiske, sansemæssige eller mentale evner, eller med mangel på erfaring eller viden, hvis de ikke er under opsyn eller er blevet instrueret i, hvordan dette apparat bruges sikkert og forstår risikoen ved at bruge det. Børn må ikke lege med dette apparat. Rengøring og vedligeholdelse må ikke udføres af børn uden opsyn.
- Forsigtig: Apparatet og dets tilgængelige dele bliver varme under brug. Undgå at røre ved varmeelementerne. Børn under 8 år bør kun være til stede under permanent opsyn.
- Der skal være tilstrækkelig med ventilation i lokalet, når emhætten er i brug samtidig med at der bruges apparater, der brænder gas eller andre brændstoffer.
- Der er brandrisiko, hvis du ikke foretager rengøring iht. instruktionerne.



- Alle regler vedrørende afledning af luft skal overholdes.
- Rengør jævnligt apparatet iht. fremgangsmåden, der er beskrevet i afsnittet VEDLIGEHOLDELSE.
- Af sikkerhedsmæssige årsager bør du altid bruge den størrelse beslag og skruer som angives i denne brugervejledning.
- For yderligere oplysninger om hyppighed og fremgangsmåde ved rengøring henvises til afsnittet om vedligeholdelse og rengøring i brugervejledningen.
- Børn må ikke udføre rengørings- eller vedligeholdelsesarbejde uden opsyn.
- Hdu samtidig med emhætten bruger apparater, der bruger andet end elektricitet, må undertrykket i lokalet ikke overstige 4 Pa (4×10^{-5} bar).
- ADVARSEL: Brandfare: Genstande må ikke opbevares på kogepladen.
- Apparatet må ikke rengøres med damp.
- Prøv ALDRIG på at slukke en ild med vand, men sluk i stedet for apparatet og tildæk ilden med fx et låg eller et brandtæppe.

Medfølgende dele

| Beskrivelse | Illustration | Antal |
|--------------------------|--------------|-------|
| Emhætte | | 1 |
| Udløb & V-flap | | 1 |
| Vinkelbeslag | | 2 |
| Spændeskive Φ4*20*1mm | | 6 |
| Plade I | | 1 |
| Skrue ST4 X 8 | | 2 |
| Skrue M4mm X 35mm | | 6 |
| Skrue M4mm X 10mm | | 2 |
| Skrue ST3mm X 12mm | | 2 |
| Skrue ST4mm X 30mm | | 4 |
| Rawlplugs | | 4 |

MONTERING (UDVENDIGT AFTRÆK)

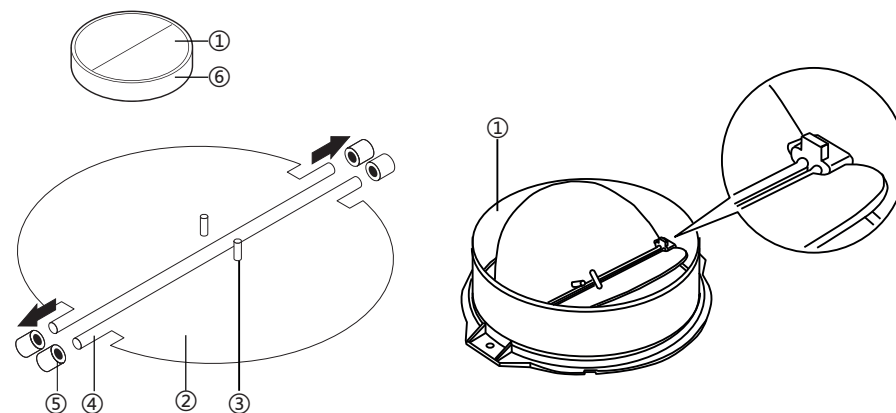
MONTERING AF V-FLAPPEN

Hvis komfuret ikke har en samlet V-klap 1, skal du montere halvdelene på dens kabinet.

Billederne viser kun et eksempel på montering af V-klappen, da stikkontakten kan variere afhængigt af forskellige modeller og konfigurationer.

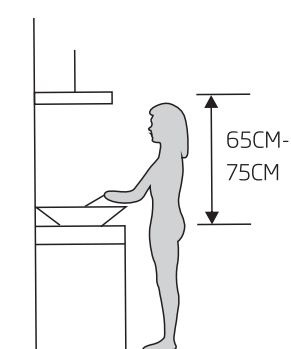
Sådan samler du V-flappen 1:

- Monter de to halvdele 2 på kabinettet 6
- Pinden 3 skal vende op;
- Akslen 4 skal sættes ind i hullerne 5 på kabinettet;
- Gentag dette for den anden halvdel

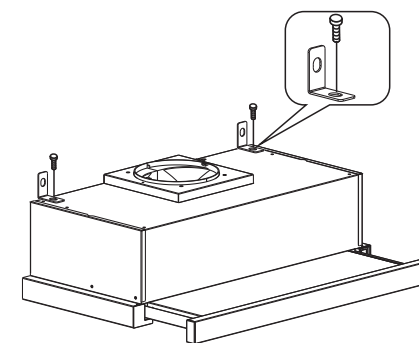


MONTERING (væghæng)

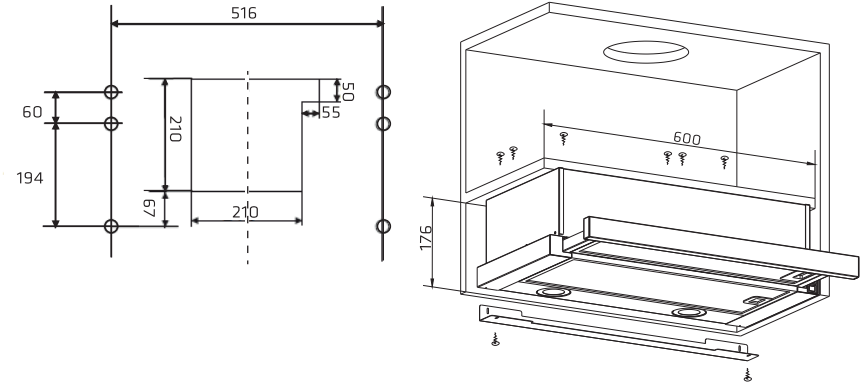
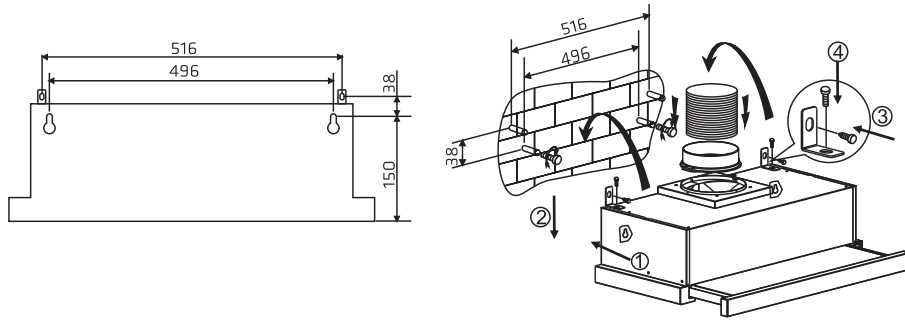
1. Bestem placeringen af hullerne til fastgørelse af emhætte.



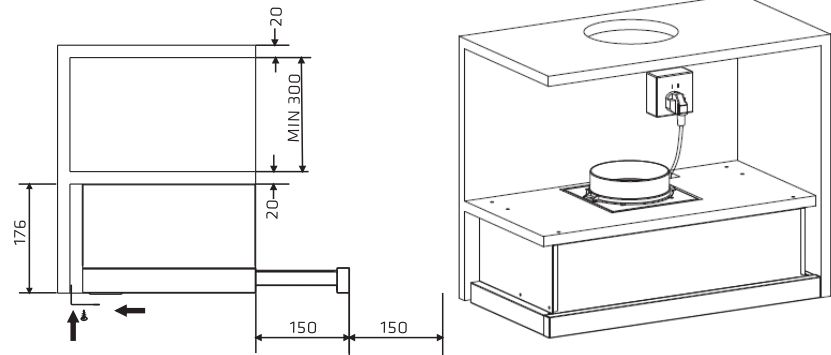
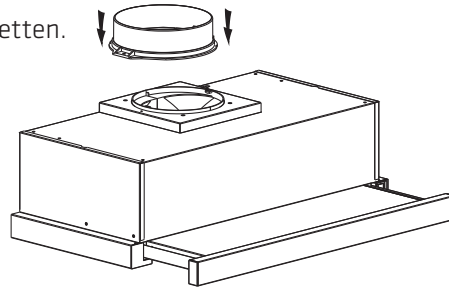
2. Monter det L-formede beslag for oven på emhætten med to skruer (4 mm x 10 mm)



3. Emhætten vægmonteres med 4 skruer (4 mm x 30 mm) og vægstik. Monter emhætten på væggen på bagsiden af emhætten med 2 skruer (4 mm x 30 mm) og vægstik. Fastgør derefter emhætten på væggen med 2 skruer (4 mm x 30 mm) og vægstik gennem det lille L-formede beslag.

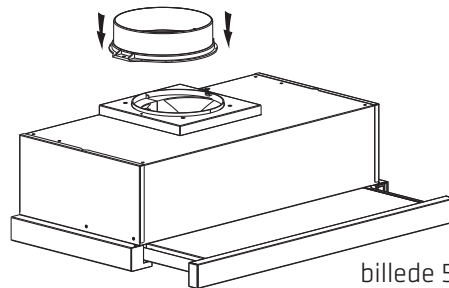


4. Spænd aftrækskanalen fast på emhætten.



MONTERING (skabsmontering)

1. Spænd udtaget fast til emhætten med 2 skruer (ST4 x 8). Sæt derefter forlængerrøret på stikkontakten, og før det udendørs. Se billede 5.



billede 5

2. Bor 6 x 6 mm huller i skabsskinnen. Monter emhætten på skabet med 6 skruer (4 x 35mm) og flade skiver. Se billede 6.

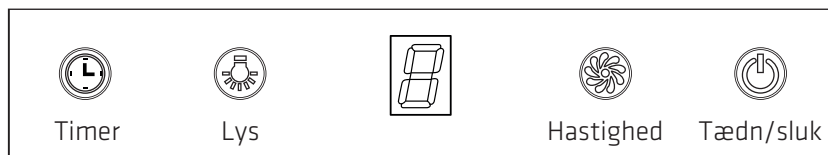
Hvis der er mellemrum mellem væggen og emhætten, kan du montere det L-formede beslag på bunden af hætten med to skruer (3 x 12 mm).
 Montering af det L-formede beslag er valgfri.
 Bemærk: Forlængerrøret følger ikke med produktet.

ADVARSEL:



- Af sikkerhedsmæssige årsager bør du altid bruge den største beslag og skruer som angives i denne brugervejledning.
- Hvis monteringen af skruer eller beslag ikke foretages iht. denne vejledning, kan det medføre elektrisk stød.

Sådan bruger du din emhætte Touchbetjening med LED-display



1. Tryk på "Tænd/sluk"- positionen "tændt" eller "slukket" på emhætten.
2. Tryk gentagne gange på "Hastighed", hvorved motoren kører ved hastighederne lav / middel / høj / lav / middel... osv. LED-displayet viser tilsvarende 1-2-3-1-2....
3. Tryk på "Lys", og lyset tænder. Tryk igen, og lyset slukker. Hver gang du trykker, skiftevis slukker og tænder lyset.
4. Når emhætten er i gang, kan du trykke på "Timer", hvorved den vil køre et bestemt stykke tid (9 minutter), hvorefter LED-displayet vil vise "9-8-7...-1-0". Emhætten slukker automatisk ved "0". Hvis du holder "Timer"-knappen nede, vil emhætten skiftevis gå ind og ud af "Timer"-funktionen.

FEJLFINDING

| Fejl | Mulig årsag | Løsning |
|--|--|--|
| Lyset er tændt, men motoren vil ikke køre. | Ventilatorknappen er slukket. | Select a fan switch position. |
| | Ventilatorknappen er gået i stykker | Contact service center. |
| | Motor fejler | Contact service center. |
| Lyset virker ikke og motoren virker ikke. | Der er måske gået en sikring, eller HPFI-relæet er slået fra | Tjek sikringerne. |
| | En ledning er løst eller afbrudt | Forbind ledningen til stikkontakten igen. Tænd for stikkontakten. |
| Olielækage | Envejsventil og udgangen er ikke ordentligt forsegllet | Afmonter envejsventilen og forsegl den korrekt. |
| | Lækage i udgangen og dækslet | Tag udgangen ned og forsegl den. |
| Lyset virker ikke | Pæren er sprunget | Udskift pæren i henhold til vejledningerne. |
| Utilstrækkelig sugsevne | Afstanden mellem emhætten og komfurets overdel er for stor | Flyt emhætten, så den har korrekt afstand. |
| Emhætten hælder | Monteringskruen er ikke spændt til | Spænd ophængsskruen og indstil den vandret. |



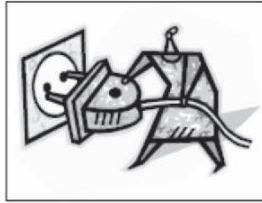
BEMÆRK:

Eventuelle reparationer af det elektriske system skal overholde gældende lovgivning. Kontakt servicecenteret, hvis du er i tvivl, før du foretager dig noget af ovenstående. Du skal altid afkoble enheden fra strømmen, inden du åbner for enheden.

VEDLIGEHOVELSE OG RENGØRING

Forsigtig:

- Før du foretager vedligeholdelse eller rengøring, skal du afbryde emhætten fra strømmen. Kontroller at emhætten er slukket på stikkontakten, og at stikket er trukket ud af stikkontakten.
- Udvendige overflader kan blive ridset eller slidte, så du bør følge rengøringsvejledningen for at sikre det bedst mulige resultat uden at beskadige enheden.



GENERELT

Rengøring og vedligeholdelse skal udføres med koldt udstyr, især ved rengøring. Undgå at efterlade alkaliske eller sure stoffer (citronsaft, eddike og lignende) på overfladerne.

RUSTFRIT STÅL

Emhættens rustfrit stål skal rengøres jævnligt (fx en gang om ugen) for at sikre en lang levetid. Tør efter med en tør klud. Du kan eventuelt anvende en særlig rengøringsvæske til rustfrit stål.

BEMÆRK:

Sørg for at aftørre overfladerne i en ensartet retning på det rustfrie stål, da du ellers kan risikere at lave mikroridser på kryds og tværs.

BETJENINGSPANELETS OVERFLADE

Betjeningspanelets indlæg kan rengøres i varmt sæbevand. Kluden skal være ren og hårdt opvredet. Brug en tør, blød klud til at fjerne overskydende fugt efter rengøring.

Vigtigt

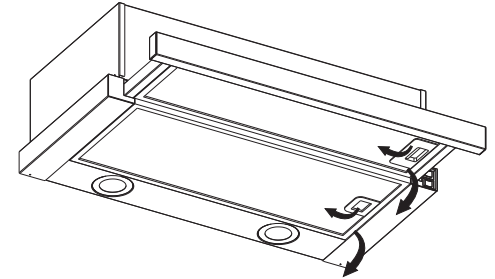
Brug neutrale rengøringsmidler og undgå at bruge kraftige rengøringsmidler som fx opvaskemidler eller produkter, der indeholder slibemidler, da dette vil påvirke apparatets udseende og eventuelt fjerne påtrykte tegn og figurer fra kontrolpanelet. Desuden vil det ugyldiggøre produktgarantien.

FEDTFILTRE

Fedtfiltrene kan rengøres i hånden. Læg dem i blød i ca. 3 minutter i vand tilsat et mildt rengøringsmiddel, og børst dem forsigtigt rene med en blød børste. Tryk ikke for hårdt, da det kan beskadige filteret. (Læg det til tørre i køkkenet, dog ikke i direkte sollys.)
Filtre skal vaskes separat til køkkentøj og køkkenredskaber. Det anbefales ikke at bruge skyllemiddel.

SÅDAN SÆTTER DU FEDTFILTRENE I

- Fedtfiltrene sættes i på følgende måde.
 - Sæt filtrene i en vinkel ind i hakkerne bagerst i emhætten.
 - Tryk på knappen på filterhåndtaget.
 - Slip håndtaget, når filteret sidder korrekt på plads.
 - Gentag for de øvrige filtre.

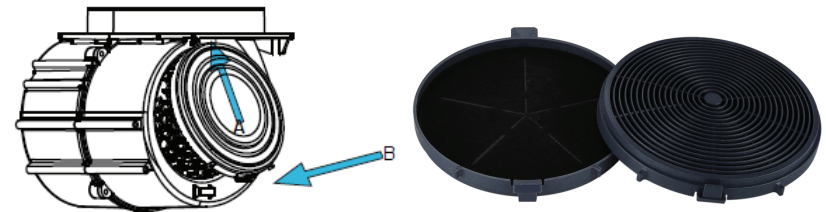


KULFILTER (leveres separat)

Et aktiveret kulfilter til at opsamle dårlig lugt. Normalt bør et aktiveret kulfilter udskiftes hver 3-6 måneder alt efter dine madlavningsvaner.

Moneringsproceduren for et aktiveret kulfilter er som vist nedenfor:

1. Før du installerer eller fjerner kulfiltrene, skal du afbryde strømmen til apparatet.
2. Sæt kulfilterets stift i det rektangulære hul på ventilatoren (i henhold til pilen A på billedet nedenfor)
3. Tryk den anden side af kulfilteret mod ventilatoren, så det er fladt (i henhold til pilen B på billedet), og tryk derefter filteret ind i ventilatoren.
4. Hvis filteret skal tages ud, skal du trykke på filterets fastgørelsesanordning og dreje det mod uret.



BEMÆRK:

- Kontroller at filteret er sat godt på plads. Ellers kan det løsnes forårsage skader.
- Hvis du monterer et aktivt kulfilter, vil sugekraften blive reduceret.

UDSKIFTNING AF PÆRE

Vigtigt:



- ✧ Pæren skal skiftes af producenten, en servicetekniker eller en tilsvarende kvalificeret person.
- ✧ Sluk altid helt for strømmen, før du foretager nogen som helst former for vedligeholdelse af apparatet. Pæren skal være kølet helt af, før du røre den med hænderne.
- ✧ Håndter altid pæren ved at holde om den med en klud eller med handsker, så dine hænder ikke kommer i direkte kontakt med pæren, hvilket kan reducere dens holdbarhed.

Bemærk:

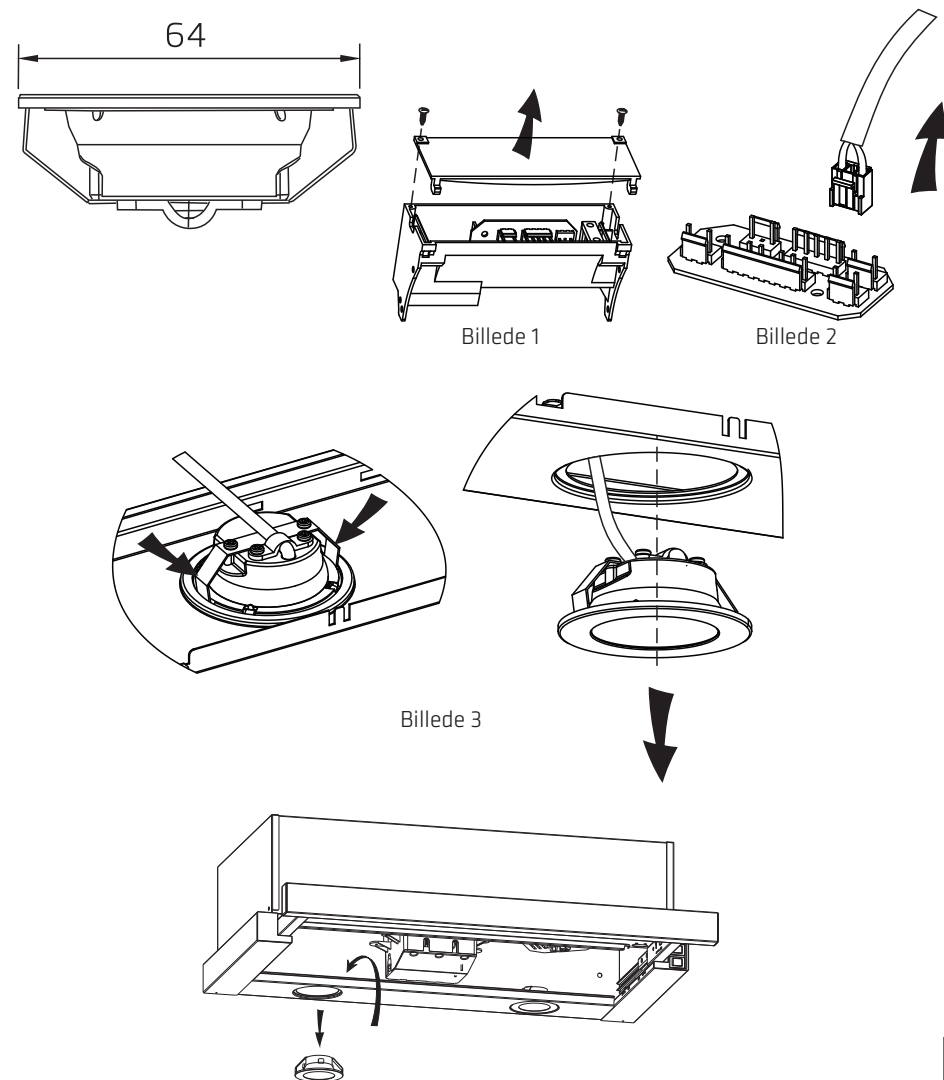
- Før du skifter pæren, skal du sørge for, at apparatet er slukket og afbrudt.
- Beskyt mod fare, når du skifter pæren, ved fx at bruge handsker.

Skiftning af pæren:

- Fjern det brugte fedtfilter.
- Find forbindelsesboksen, skru skruerne på boksens dæksel af, og tag derefter boksens dæksel af (hvis der er en trådplade der holder lysledningen, skal den først afmonteres). Se billede 1.
- Find terminalen på lysforbindelsesledningen, og træk den ud. Se billede 2.
- Brug et værktøj eller dine hænder til at trykke fjederstiften på begge sider af LED-pæren indad, indtil pæren presses ud. Træk derefter lysforbindelsesledningen ud. Se billede 3.
- Anvend den omvendte procedure for, at sætte pæren i igen.

ILCOS D-koden til denne pære er: DSR-1.5/65-S-64

- LED-moduler - rund pære
- Maks. watt: 2*1.5W
- Spændingsområde: DC 12V
- Mål:



Specifikationer:

Modelnr.: POHO5060TELB POHO5060TELW
Nominel spænding: 220-240V~, 50Hz
Opgivet motoreffekt: 60W
Pærens effekt: 2*1.5W
I alt effekt: 63W

| Emhætte Dataark | | | | |
|---|---------------------------|------------|-------------------|----|
| | | | | |
| Varemærke | POINT | | | |
| Type / Model | POHO5060TELB POHO5060TELW | | | |
| Årligt energiforbrug | AEC emhætte | 22.1 | kWh | |
| Energy Efficiency Index (Energieffektivitetsindeks) | EI emhætte | 52.2 | - | |
| Fluid Dynamic Efficiency (Fluiddynamikeffektivitet) | FDE emhætte | 18 | - | |
| Lighting efficiency (Lyseffektivitet) (i watt) | LE emhætte | 51.3 | lux/W | |
| Grease Filtering rate (Fedtfiltreringsrate) (i %) | GFE emhætte | 67.5 | - | |
| Luftmængde ved bedste driftspunkt | Q BEP | 167.1 | m ³ /h | |
| Lufttryk ved bedste driftspunkt | P BEP | 182 | Pa | |
| Maks. luftstrøm | Q maks | 335.1 | m ³ /h | |
| Arbejdspunkt, højeste indstilling | | 327.5 | m ³ /h | |
| Arbejdspunkt, laveste indstilling | | 174.5 | m ³ /h | |
| Elektrisk input ved bedste driftspunkt | W BEP | 47.1 | W | |
| Nominal effekt for belysningsystemet | W L | 3.0 | W | |
| Gennemsnitlig belysning fra belysningsystemet på kogepladen | E middel | 153.9 | LUX | |
| Strømforbrug i standby | P_s | 0.48 | W | |
| Strømforbrug i slukket tilstand | P_o | - | W | |
| Lydeffektniveau | L_{wa} | min./maks. | 52/66 | dB |

MILJØBESKYTTELSE:



Dette produkt er mærket med symbolet for affaldssortering for elektronisk udstyr. Dette betyder, at dette produkt ikke må bortskaffes sammen med husholdningsaffald, men skal afleveres til genbrug i overensstemmelse med direktiv 2012/19/EU. Det vil så blive genbrugt eller demonteret for at minimere miljøpåvirkninger. Elektriske og elektroniske produkter er potentielt farlige for miljøet og menneskers sundhed på grund af tilstedeværelsen af farlige stoffer. Kontakt din lokale eller regionale myndighed for yderligere information.

BEMÆRK:

Nedenstående viser, hvordan man reducerer den samlede miljøpåvirkning (fx energiforbrug) i tilberedningsprocessen).

- (1) Monter emhætten et passende sted med effektiv udluftning.
- (2) Rengør emhætten jævnligt, så luftvejene ikke blokeres.
- (3) Husk at slukke for emhættens lys efter madlavning.
- (4) Husk at slukke for emhætten efter madlavning.

PLYSNINGER OM ADSKILLELSE

Adskil ikke apparatet er på måder, der ikke er beskrevet i denne brugervejledning. Apparatet kan ikke adskilles af brugeren. Når apparatet er udtjent, må det ikke bortskaffes med almindeligt husholdningsaffald. Du kan få flere oplysninger om genbrug hos din lokale kommune.

Power International AS,
PO Box 523, N-1471 Lørenskog, Norway

Power Norge:
<https://www.power.no/kundeservice/>
T: 21 00 40 00

Power Danmark:
<https://www.power.dk/kundeservice/>
T: 70 33 80 80

Punkt 1 Danmark:
<https://www.punkt1.dk/kundeservice/>
T: 70 70 17 07

Power Finland:
<https://www.power.fi/tuki/asiakaspalvelu/>
T: 0305 0305

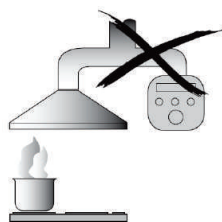
Power Sverige:
<https://www.power.se/kundservice/>
T: 08 517 66 000

SÄKERHETSINSTRUKTIONER

Denna bruksanvisning förklarar hur fläktkåpan ska monteras. Läs den noggrant innan du använder den även om du är bekant med produkten. Bruksanvisningen ska förvaras på en säker plats för framtida behov.

Gör aldrig:

- Försök inte att använda fläktkåpan utan fettfilter eller om filtren är väldigt fettiga!
- Montera aldrig fläktkåpan ovanför en högt placerad grill.
- Lämna inte stekjärn utan tillsyn under användning, eftersom överhettat fett eller olja kan börja brinna.
- Lämna aldrig öppen eld under en fläktkåpa.
- Gör inga försök att använda fläktkåpan om den är skadad.
- Flambera inte under fläktkåpan.
- **FÖRSIKTIGHET!** Åtkomliga delar kan bli varma när de används med matlagingsanordningar.
- Avståndet mellan stödytan för kokkärlen på hällen och underkanten på fläktkåpan ska vara minst 65 cm (när fläktkåpan är placerad ovanför en gasdriven apparat).
- Luften får inte släppas ut i flödet som används för avgaserna från produkter som bränner gas eller bränsle.



Gör alltid:

- service, som vid byte av lampa.
- Fläkten måste installeras i enlighet med installationsanvisningarna och alla mått måste följas.
- Allt installationsarbete måste utföras av en kompetent person eller kvalificerad elektriker.
- Kassera förpackningsmaterialet med omsorg. Barn kan ta ska av det.
- Var uppmärksam på vassa kanter inuti fläktkåpan, speciellt under installation och rengöring.
- Röret ska inte ha skarpare krökar än 90 grader, eftersom det reducerar fläktkåpanns effektivitet.
- Varning! Om skruvarna eller fästordningen inte monteras i enlighet med dessa instruktioner, kan det leda till elektriska risker
- Varning! Innan du öppnar terminalerna ska alla strömkretsar kopplas ifrån.
- Använd alltid lock på kokkärl och stekpannor när du använder en gasspis.
- När fläktkåpan är i utsugsläge, suger den ut luften i rummet. Försäkra dig om att det finns tillräcklig ventilation. Fläktkåpan suger ut dålig lukt från rummet, men inte ånga.

- Flätkåpan är endast avsedd för hemmabruk.

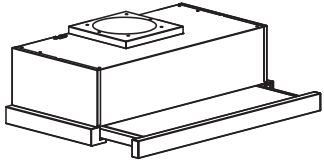
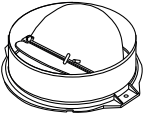


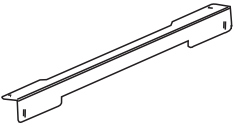

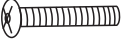

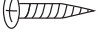
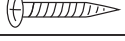



- Om den elektriska sladden är skadad måste den bytas ut av tillverkaren, dennes serviceombud eller liknande kvalificerad person för att undvika risker.
- Denna produkt får användas av barn från 8 år och uppåt och personer med nedsatt fysisk, sensorisk eller mental förmåga eller av personer som saknar erfarenhet och kunskap om det sker under tillsyn eller om de får anvisningar om hur man använder produkten på ett säkert sätt och är medveten om riskerna. Barn får inte leka med produkten. Rengöring och underhåll bör inte utföras av barn utan tillsyn.
- Försiktighet! Enheten och de åtkomliga delarna kan bli varma under användning. Var försiktig och undvik att vidröra värmeelementen. Barn under 8 ska inte befinna sig i närheten utan permanent tillsyn från vuxen.
- Det måste finnas tillfredsställande ventilation i rummet när flätkåpan används samtidigt som man använder produkten som drivs med gas eller andra bränslen.
- Det finns en risk för brand om man inte följer instruktionerna vid rengöring.



- Föreskrifter för utsläpp av luft måste uppfyllas.
- Rengör produkten regelbundet genom att följa metoden som anges i avsnittet UNDERHÅLL.
- Av säkerhetsskäl ska endast fäst- eller monteringskruvar av samma storlek som de i bruksanvisningen rekommenderade användas.
- Beträffande information om rengöringsfrekvens, se avsnittet för underhåll och rengöring i bruksanvisningen.
- Rengöring och underhåll bör inte utföras av barn utan tillsyn.
- När den levererade flätkåpan och produkter med annan energi än elektricitet är i drift samtidig, får rummets negativa tryck inte överskrida 4 Pa (4 x 10⁻⁵ bar).
- **WARNING! Brandrisk:** förvara inte föremål på tillagningsytor.
- Använd inte ångtvätt.
Försök **ALDRIG** att släcka eld med vatten, utan stäng av produkten och täck lågorna med t.ex. ett lock eller en brandfilt.

Delar som ingår

| Beskrivning | Bild | Ant |
|-------------------------------|---|-----|
| Flätkåpa |  | 1 |
| Uttag & V-klaff |  | 1 |
| Vinkelhake |  | 2 |
| Bricka $\Phi 4*20*1\text{mm}$ |  | 6 |
| Platta I |  | 1 |
| Skruv ST4 X 8 |  | 2 |
| Skruv M4mm X 35mm |  | 6 |
| Skruv M4mm X 10mm |  | 2 |
| Skruv ST3mm X 12mm |  | 2 |
| Skruv ST4mm X 30mm |  | 4 |
| Väggplugg |  | 4 |

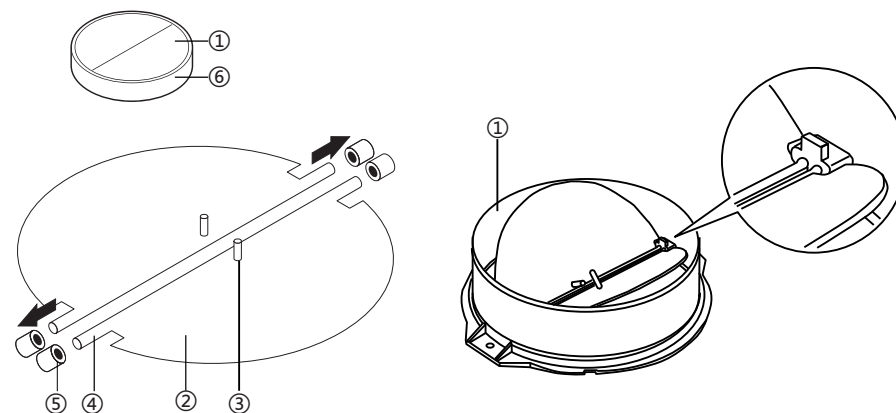
INSTALLATION (VENTILENS UTSIDA)

MONTERING AV V-KLAFFEN

Om flätkåpan saknar en monterad V-klaff 1, måste du själv montera de halva delarna i höljet. Bilderna visar ett exempel på hur man monterar V-klaffen, men utloppet kan skilja sig åt mellan olika modeller och konfigurationer.

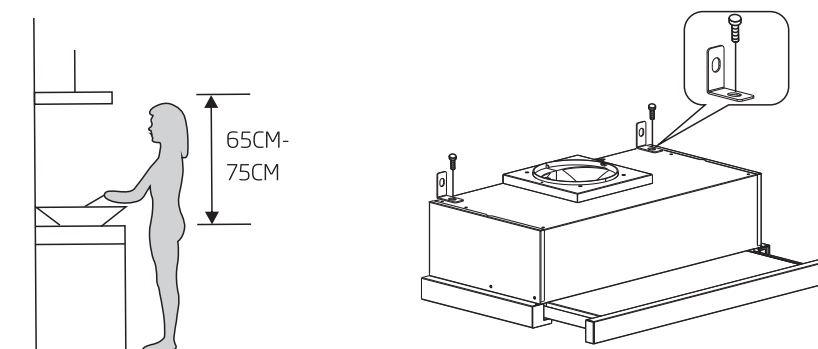
För att montera V-klaffen 1 måste du:

- Montera två halvor 2 i hölje 6
- Sprint 3 ska vara uppåtriktad.
- Axel 4 ska stickas in i hålen 5 på höljet.
- Upprepa åtgärderna för den andra halva delen



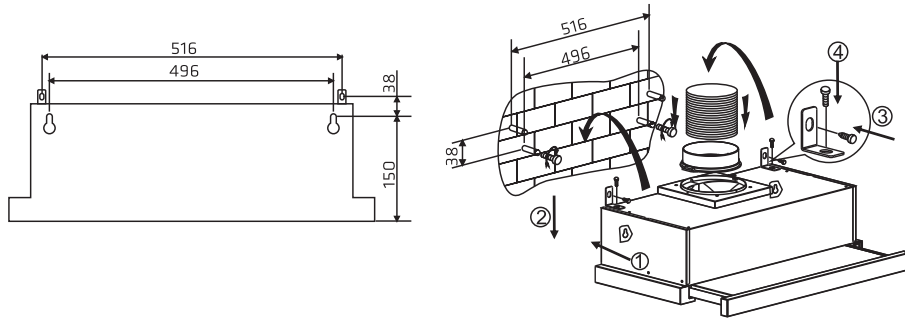
INSTALLATION (väggmontering)

1. Bestäm platsen för hålen för att fästa flätkåpan.

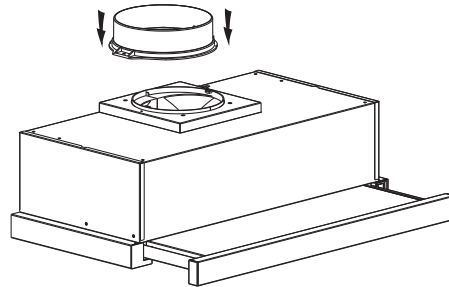


2. Montera det L-formade fästet på kåpans ovansida med två skruvar (4 mm x 10 mm)

3. Fläktkåpan väggmonteras med 4 skruvar (4 mm x 30 mm) och skruvpluggar. Montera fläktkåpan på väggen på baksidan av fläktkåpan med två (2) skruvar (4 mm x 30 mm) och skruvpluggar. Fäst därefter fläktkåpan på väggen med två (2) skruvar (4 mm x 30 mm) och skruvpluggar genom det lilla L-formade fästet.



4. Fäst utloppet på fläktkåpan.



INSTALLATION (skåpmontering)

1. Fäst utloppet på spiskåpan med 2 st skruvar (ST4*8). Fäst sedan expansionsröret på utloppet och led det utomhus. Se bild 5.

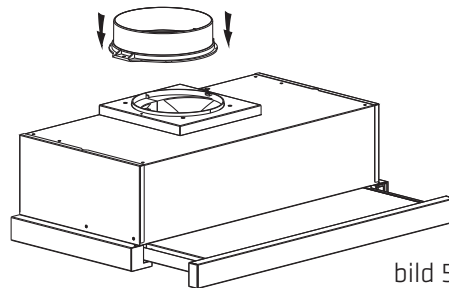
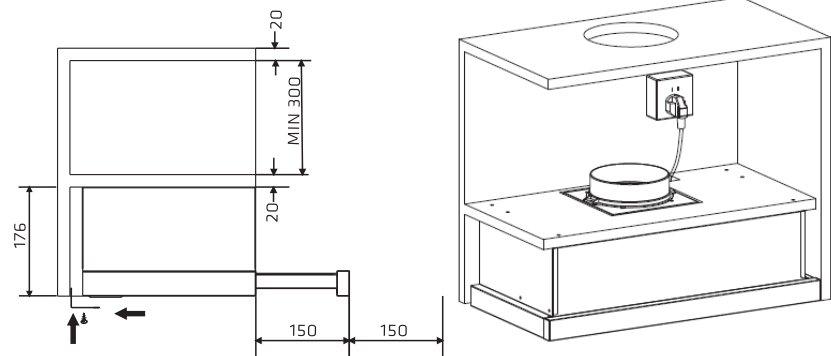
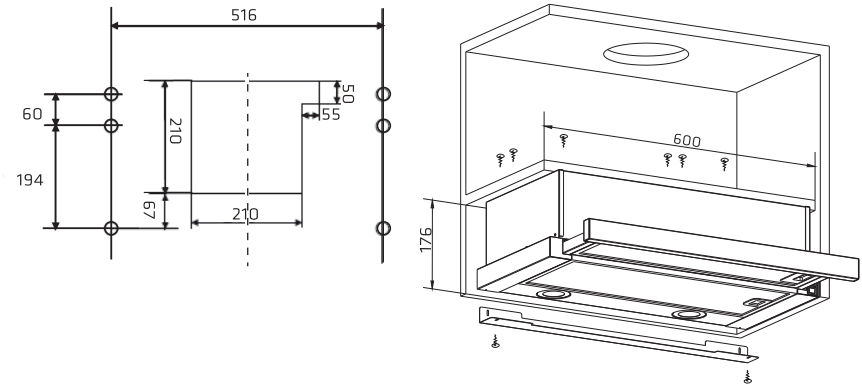


bild 5

2. Borra 6 * 6 mm stora hål i skåpsskivan. Montera fläktkåpan på skåpet med 6 skruvar (4x35 mm) och platta brickor. Se bild 6.



Om det är avstånd mellan väggen och fläktkåpan kan du montera det L-formade fästet på kåpens undersida med två (2) skruvar (3 x 12 mm). Monteringen av det L-formade fästet är valfritt. OBS! Expansionsröret medföljer inte produkten.

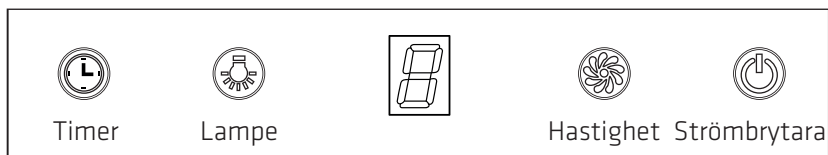
VARNING!



- Av säkerhetsskäl ska endast fäst- eller monteringskruvar av samma storlek som de i bruksanvisningen rekommenderade användas.
- Om skruvarna eller fästansordningen inte monteras i enlighet med dessa instruktioner, kan det leda till elektriska risker.

Börja använda flätkåpan

Pekskärm med LED-fönster



1. Tryck på knappen "Strömbrytare", för att sätta på och stänga av flätkåpan, "på" och "av".
2. Fortsätt att trycka på knappen "Hastighet", och motorn cirkulerar mellan hastigheterna låg / medel / hög / låg / medel... I LED-fönstret cirkulerar indikationerna 1-2-3-1-2....
3. Tryck på knappen "Lampa", så tänds lampan, tryck igen för att släcka lampan, håll knappen intryckt så cirkulerar lampan på/av.
4. När fläkten är igång, och man trycker på "Timer"-knappen, går fläkten över till passiv status (passiv tid är 9 min.), och därefter visar LED-fönstret "9-8-7...-1-0". När indikationen är "0" stängs fläkten av automatiskt. Fortsätter du att trycka på "Timer"-knappen, kommer fläkten att sätta på och stänga av "Timer"-funktionen.

FELSÖKA

| Fel | Möjlig orsak | Lösning |
|--|---|--|
| Ljus tänd, men motorn fungerar inte | Fläktens strömbrytare avstängd | Välj ett fläktläge. |
| | Fläktväxling fungerade inte | Contact service center. |
| | Motorfel | Contact service center. |
| Ljus fungerar inte, motorn fungerar inte | Hussäkringar har gått | Reset/Replace fuses. |
| | Strömkabel lös eller fränkopplad | Refit mains power cable to power outlet. Switch power outlet on. |
| Oljeläckage | Envägsventilen och utloppet är inte ordentligt tätade | Take down the one way valve and seal with sealant. |
| | Läckage från skorstensanslutningen och skyddet | Take chimney down and seal. |
| Ljus fungerar inte | Trasiga/felaktiga lampor | Replace blubs as per this instruction. |
| Otillräcklig s ugeffekt | Avståndet mellan flätkåpan och gasspisen är för stort | Refit the cooker hood to the correct distance. |
| Flätkåpan lutar | Fästskevarna är inte tillräckligt åtdragna | Tighten the hanging screw and make it horizontal. |



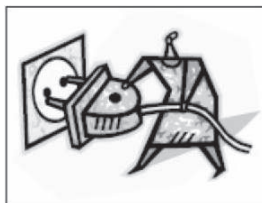
OBS!

Alla elektriska reparationer på produkten måste föreskrifterna där du bor. Kontakta servicecentret om du har frågor innan du utför något av ovanstående. Koppla alltid ifrån enheten från strömkällan när du öppnar enheten.

UNDERHÅLL OCH RENGÖRING

Försiktighet!

- Innan underhåll eller reparation utförs, ska flätkåpan kopplas ifrån nätströmmen. Kontrollera att flätkåpan är fränkopplad från vägguttaget och kontakten borttagen.
- Yttre ytor är känsliga för repor och slipmärken, följ därför rengöringsanvisningarna för bästa resultat utan skador.



ALLMÄNT

Rengöring och underhåll ska utföras när produkten är kall, vilket gäller speciellt vid rengöring. Undvik att lämna alkaliska eller sura ämnen (citronsaft, ättika osv.) på ytorna.

ROSTFRITT STÅL

Det rostfria stålet måste rengöras regelbundet (t.ex. varje vecka) för att garantera en lång hållbarhet. Torka med en ren torr trasa. En speciell rengöringsvätska för rostfritt stål kan användas.

OBS!

Se till att torka längs det rostfria stålets struktur för att förhindra att det bildas repmärken kors och tvärs.

KONTROLLPANELENS YTA

Den infällda kontrollpanelen kan rengöras med varmt vatten och diskmedel. Se till att trasan är ren och väl urvriden före rengöring. Använd en torr mjuk trasa för att avlägsna kvarbliven fukt efter rengöringen.

Viktigt!

Använd neutrala rengöringsmedel och undvik skarpa rengöringsmedel, starka hushållsrengöringsmedel eller produkter som innehåller slipmedel, eftersom detta kommer att påverka produktens utseende och potentiellt avlägsna dekorativt tryck på kontrollpanelen, vilket gör tillverkarens garanti ogiltig.

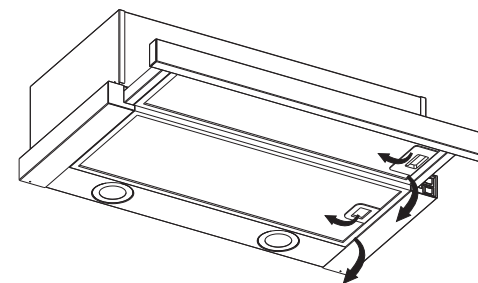
FETTNÄTFILTER

Nätfiltren kan rengöras för hand. Blötlägg dem i ca 3 minuter i vatten med ett fettlösande diskmedel, och borsta försiktigt med en mjuk borste. Tryck inte för hårt, undvik att skada det. (Låt lufttorka utan direkt solljus.)

Filtren ska tvättas separat från kokkärlet och köksredskap. Vi rekommenderar att man inte använder sköljmedel.

MONTERA FETTNÄTFILTER

- Följ dessa fyra steg för att montera filtren.
 - Vinkla in filtret i skårorna på kåpans baksida.
 - Tryck på knappen på filtrets handtag.
 - Lossa handtaget när filtret passar in på sin plats.
 - Upprepa för varje filter.

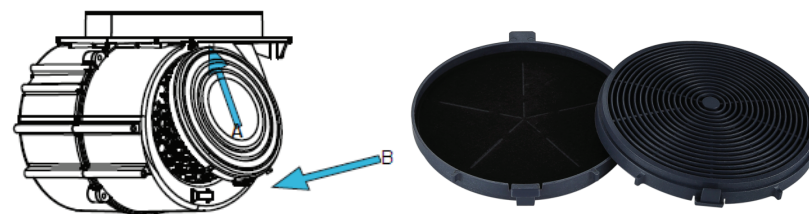


KOLFILTER (Levereras separat)

Aktivt kolfilter kan användas för dålig lukt. Normalt ska det aktiva kolfiltret bytas var tredje till sjätte månad, beroende på dina matlagingsvanor.

Monteringen av ett aktivt kolfilter beskrivs nedan:

1. Innan kolfiltren installeras eller byts, koppla ifrån strömmen till produkten.
2. Sätt kolfiltrets stift i fläktens rektangulära hål (enligt pilen A nedan)
3. Tryck kolfiltrets andra sida mot fläkten så att den blir platt (enligt pilen B) och tryck sedan in filtret i fläkten.
4. Om du vill ta bort filtret trycker du på filtrets fästordning och tar bort det genom att vrida det moturs.



OBS!

- Kontrollera att filtret är ordentligt låst. I annat fall kan det lossna och orsaka skada.
- När det aktiva kolfiltret är festsatt, sänks sugettekniken.

LAMPBYTE

Viktigt!



- ✧ Lampan måste bytas av tillverkaren, dennes serviceombud eller liknande kvalificerad person.
- ✧ Koppla alltid ifrån strömförsörjningen innan några åtgärder utförs på produkten. När glödlampan hanteras ska den vara helt kall innan man tar i den med händerna.
- ✧ Håll alltid i lamporna med ett tyg eller handskar för att det inte ska komma svett i kontakt med lampan, eftersom det kan förkorta lampans hållbarhet.

OBS!

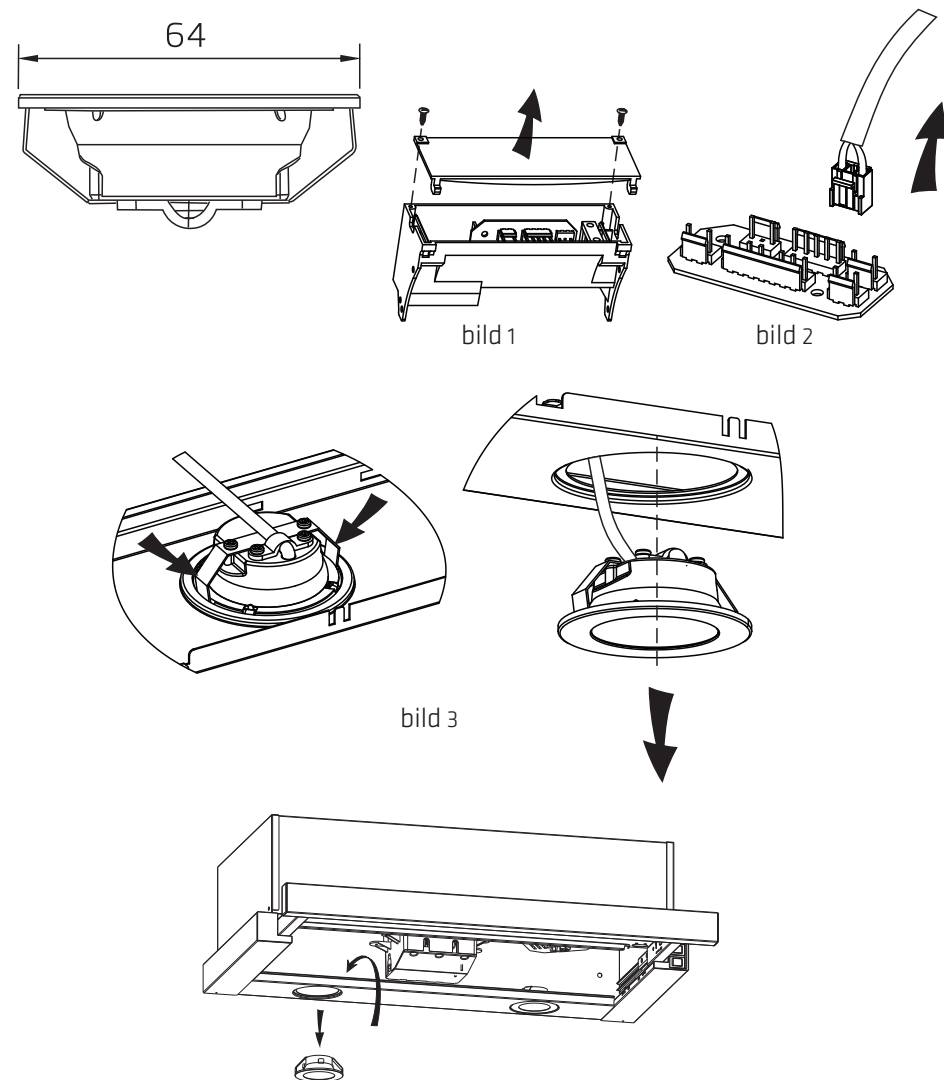
- Innan man byter lamporna, måste produkten vara avstängd och kontakten utdragen.
- Skydda mot fara när du byter lampor genom att t.ex. Använda handskar.

Byta lamporna:

- Ta bort det använda fettfiltret.
- Sök upp kopplingsdosan, skruva loss skruvarna på kopplingsdosans skydd (finns det en pressplatta för ledningarna, som håller lampedningen, måste den först tas bort). Se bild 1.
- Sök upp terminalen för lampanslutningens ledning och dra ut den. Se bild 2.
- Använd ett verktyg eller händerna för att trycka på fjädersplintern på båda sidorna om LED-belysningen inuti, tills lampan trycks ut, dra försiktigt ut lampkopplingens ledning. Se bild 3.
- Utför proceduren omvänt för att sätta i lampan.

ILCOS D-kod för lampan är: DSR-1.5/65-S-64

- LED-moduler -rund lampa
- Max. effekt: 2*1.5W
- Spänningsområde: DC 12V
- Mått:



Specifikation

Modellnr: POH05060TELB POH05060TELW
Märkspänning: 220-240V~, 50Hz
Motormärkeffekt: 60W
Lampeffekt: 2*1.5W
Total effekt: 63W

| Fläktkåpa | | Datablad | | |
|---|---------------------------|-----------|-------------------|----|
| Varumärke | POINT | | | |
| Typ / Modell | POHO5060TELB POHO5060TELW | | | |
| Årlig energiförbrukning | AEC fläktkåpa | 22.1 | kWh | |
| Energieffektivitetsindex | EEL fläktkåpa | 52.2 | - | |
| Flödesdynamisk effektivitet | FDE fläktkåpa | 18 | - | |
| Belysningseffektivitet (i watt) | LE fläktkåpa | 51.3 | lux/W | |
| Fettfiltreringsgrad (i %) | GFE fläktkåpa | 67.5 | - | |
| Luftflödes hastighet vid bästa verkningsgradspunkt | Q BEP | 167.1 | m ³ /h | |
| Lufttryck vid bästa verkningsgradspunkt | P BEP | 182 | Pa | |
| Maximalt luftflöde | Q max | 335.1 | m ³ /h | |
| Arbetspunkternas högsta inställning | | 327.5 | m ³ /h | |
| Arbetspunkternas lägsta inställning | | 174.5 | m ³ /h | |
| Elektrisk tillförd effekt vid bästa verkningsgradspunkt | W BEP | 47.1 | W | |
| Nominella effekt på belysningsystemet | W L | 3.0 | W | |
| Genomsnittliga belysning på kokytan | E medel | 153.9 | LUX | |
| Energiförbrukning i viloläge | P s | 0.48 | W | |
| Energiförbrukning i avstängt läge | P o | - | W | |
| Ljudeffektnivå | L wa | min./max. | 52/66 | dB |

MILJÖSKYDD:



Denna produkt är märkt med symbolen för selektiv sortering av kasserad elektronisk utrustning. Det betyder att denna produkt inte får avyttras med hushållsavfall, utan måste stödjas av ett system för selektiv insamling i enlighet med direktiv 2012/19/EU. Den kommer därefter att återvinnas eller demonteras för att minimera inverkan på miljön. Elektriska och elektroniska produkter är potentiellt skadliga för miljön och människors hälsa på grund av närvaron av skadliga ämnen. För mer information, kontakta din kommun eller regionala myndigheter.

OBS!

Följande visar hur man kan minimera den totala inverkan på miljön (t. ex. energiförbrukning) vid matlagningen.

- (1) Montera fläktkåpan på en lämplig plats med effektiv ventilation.
- (2) Rengör fläktkåpan regelbundet så att inget blockerar luftvägen.
- (3) Kom ihåg att stänga av fläktkåpans belysning efter matlagningen.
- (4) Kom ihåg att stänga av fläktkåpan efter matlagningen.

INFORMATION FÖR DEMONTERING

Demontera inte produkten på något annat sätt än vad som beskrivs i bruksanvisningen.

Produkten kan inte demonteras av användaren. När produkten är uttjänt ska den inte kasseras med hushållsavfall. Kontrollera med din kommun eller återförsäljare för råd om återvinning.

Power International AS,
PO Box 523, N-1471 Lørenskog, Norway

Power Norge:
<https://www.power.no/kundeservice/>
T: 21 00 40 00

Power Danmark:
<https://www.power.dk/kundeservice/>
T: 70 33 80 80

Punkt 1 Danmark:
<https://www.punkt1.dk/kundeservice/>
T: 70 70 17 07

Power Finland:
<https://www.power.fi/tuki/asiakaspalvelu/>
T: 0305 0305

Power Sverige:
<https://www.power.se/kundservice/>
T: 08 517 66 000