

point

23 Litre Microwave Oven

With Grill Function

POMW5023GB
User Manual

LIFE MADE EASIER

GB

Thank you for purchasing your new Point Microwave Oven. These operating instructions will help you use it properly and safely. We recommend that you spend some time reading this instruction manual in order that you fully understand all the operational features it offers. Read all the safety instructions carefully before use and keep this instruction manual for future reference.

NO

Takk for at du kjøpte ditt nye Point Mikrobølgeovn. Denne bruksanvisningen vil hjelpe deg med å bruke den på en trygg og riktig måte. Vi anbefaler at du tar deg tid til å lese gjennom hele bruksanvisningen for å bli fortrolig med alle funksjonene som tilbys. Les alle sikkerhetsanvisningene nøye før bruk, og oppbevar bruksanvisningen for fremtidig referanse.

FI

Kiitos, kun valitsit uuden Point-mikroaaltouunin. Nämä käyttöohjeet opastavat sinua käyttämään laitetta oikein ja turvallisesti. Suosittelemme, että käytät hetken tämän käyttöoppaan lukemiseen, jotta ymmärrät täysin, mitä toimintoja laitteessa on. Lue kaikki turvallisuusohjeet huolellisesti ennen laitteen käyttöä ja säilytä käyttöopas myöhempää käyttöä varten.

DK

Tak for købet af dit nye Mikrobølgeovn fra Point. Disse brugervejledninger hjælper dig med at bruge dette apparat rigtigt og sikkert. Vi anbefaler, at du læser denne brugervejledning, så du får en fuld forståelse af hvordan alle funktionerne virker. Læs sikkerhedsforskrifterne grundigt inden brug, og gem denne brugervejledning til senere brug.

SE

Tack för att du har köpt ditt nya Point Mikrovågsugn. Denna bruksanvisning hjälper dig att använda den på ett säkert och korrekt sätt. Vi rekommenderar att du tar dig tid att läsa igenom denna bruksanvisning för att till fullo förstå alla driftfunktioner som den erbjuder. Läs noga igenom alla säkerhetsinstruktioner före användning och spara bruksanvisningen för framtida bruk.

Instruction Manual - English	page	4 - 25
Bruksanvisning - Norsk	side	26 - 47
Käyttöopas - Suomi	sivu	48 - 69
Brugervejledning - Dansk	side	70 - 91
Bruksanvisning - Svenska	sida	92 - 113

GB

NO

FI

DK

SE

SAFETY WARNINGS

General Safety

- Switch off and unplug before fitting or removing tools/attachments, after use and before cleaning.
- Keep your fingers away from moving parts and fitted attachments.
- Never use a damaged microwave oven.
- Never operate the microwave oven when it is empty.
- Keep the mains cable out of reach from children.
- Keep the microwave oven, mains cable and plug away from water.
- Never exceed the maximum capacities.
- When using an attachment, read the accompanying safety instructions.
- Take care when lifting this microwave oven as it is heavy.
- You should always have your microwave oven checked by a qualified technician if it has been dropped or damaged to ensure it is safe to use.
- This microwave oven can be used by children aged from 8 years and above and persons with reduced physical, sensory or mental capabilities or lack of experience and knowledge if they have been given supervision or instruction concerning use of the microwave oven in a safe way and understand the hazards involved.
- Children should be supervised to ensure that they do not play with the microwave oven.
- Only use the microwave oven for its intended domestic use.

Maintenance of your microwave oven

WARNING: It is hazardous for anyone other than a qualified technician to carry out any service or repair operation which involves the removal of a cover that gives protection against exposure to microwave radiation.

WARNING: If the door or door seals are damaged, the microwave oven must not be operated until it has been repaired by a qualified technician.

- If smoke is observed, switch off or unplug the microwave oven and keep the door closed in order to stifle any flames.
- If the mains cable is damaged, it must be replaced by a service agent or a qualified technician.
- If you have a pacemaker, contact your doctor before using a microwave oven.

Maintenance of your microwave oven

- This microwave oven is not intended for commercial use.
- It should never be used for drying clothes or for other non-food purposes.
- The microwave oven should not be left unattended when in use.
- The temperature of accessible surfaces may be high when the microwave oven is operating.
- To prevent high moisture content gathering inside the microwave oven cavity, open the door immediately after the cooking function has stopped to allow steam to escape.
- Only use utensils that are suitable for microwave oven use.
- Care should be taken when using paper, plastic, wooden or other combustible materials in the microwave oven as they can catch fire.
- Oil & fat for deep frying should not be heated in the microwave oven.
- Only use cling film designed for microwave oven use and take extra care when removing the film to avoid steam burns.
- Only heat popcorn that has been designed for microwave oven use.

Cooking by microwave oven

- As the power of different microwave oven can vary considerably, care must be taken when first using this microwave oven as it may cook faster than expected.
 - Do not leave the microwave oven unattended during use.
 - Take care when cooking food with a high sugar or fat content, such as Christmas pudding or fruitcake. The sugar or fat can overheat and in some cases catch fire.
- WARNING:** Only allow children to use the microwave oven without supervision when adequate instructions have been given so that the children are able to use the microwave oven in a safe way and understands the hazards of improper use; DO NOT assume that because a child has mastered one cooking skill he/she can cook everything without close supervision. The microwave oven MUST NOT be treated nor used like a toy.

Fire!

In the event of fire:

- Keep the microwave oven door closed.
- Turn off the power.
- Unplug the microwave oven from the mains power.

First aid

Treat scalding by:

- Quickly placing the scald under cold running water for at least 10 minutes.
- Cover with a clean dry dressing. Do not use creams, oils or lotions.

Cleaning your microwave oven

The microwave oven should be cleaned regularly and any food deposits should be removed. Failure to maintain the microwave oven in a clean condition can affect the life of the microwave oven and possibly result in a hazardous situation. (See cleaning your microwave oven)

Do not use these in your microwave oven

- Metal objects are not to be used in the microwave oven. These include:
 - Metal cooking utensils
 - Metal plates or trays
 - Wire twist ties
 - Crockery with metal trims
 - Meat thermometer
- Never use equipment made of metal, except aluminum foil in your microwave oven. The microwave radiation cannot pass through the metal so it bounces off and sparks against the inside of the microwave oven.
- Stop the microwave oven straight away if any equipment is causing sparks.
- Remember that some crockery has a metal trim around the edge. Even this trim can cause sparks.

Containers

WARNING: Pressure will build up in sealed containers and can cause them to explode. Therefore, do not use the following in your microwave:

- Sealed containers
- Capped bottles
- Vacuum containers
- Sealed jars
- Hard boiled eggs
- Eggs in their shells
- Nuts

- Always pierce the skin of fruits and vegetables, such as potatoes.
- Never use scratched, cracked or damaged glass in a microwave oven. Damaged glass can explode.
- When heating food in plastic or paper containers, keep an eye on the microwave oven due to the possibility of ignition.

Delayed boiling

Liquids heated in a microwave oven can boil up when removing them from the microwave oven.

Take the following precautions :

- Always stir liquids, before and after cooking.
- Allow them to stand.
- Use containers that are wider at the top than at the bottom.

Preparing food for babies

Extra care must be taken when preparing food or drink for babies and small children.

- Always test the food or liquid temperature before feeding it to the baby.
- When using a baby bottle, ensure the teat is removed before heating.
- When warming milk, ensure the bottle is shaken.

Caution!



Hot Surface

During cooking the outer surface will become hot. Do not touch the outer casing of the microwave oven. Care should be taken not to store any items on top of your microwave oven.



Earthing Instructions

WARNING: THIS MICROWAVE OVEN MUST BE EARTHED.

- This microwave oven is equipped with a mains cable having an earthed plug.
- The plug must be plugged into an appropriate mains socket that is installed and earthed in accordance with all local standards and requirements.

Warning!

- Improper connection of the microwave oven-earthing conductor can result in a risk of an electric shock.
- Check with a qualified electrician or service representative if you are in doubt whether the microwave oven is properly earthed.
- Never modify the plug provided with the microwave oven.
- If the plug does not fit properly in the mains socket, have a qualified electrician install a proper mains socket.

PRECAUTIONS TO AVOID POSSIBLE EXPOSURE TO EXCESSIVE MICROWAVE RADIATION

- (a) Do not attempt to operate this microwave oven with the door open since this can result in harmful exposure to microwave radiation. It is important not to break or tamper with the safety interlocks.
- (b) Do not place any object between the microwave oven front face and the door or allow soil or cleaner residue to accumulate on the sealing surfaces.

IMPORTANT SAFETY INSTRUCTIONS WARNING

To reduce the risk of fire, electric shock, injury to persons or exposure to excessive microwave radiation when using your appliance, follow basic precautions, including the following:

1. Cleaning and user maintenance shall not be made by children unless they are older than 8 and are supervised.
2. Read and follow the specific: "PRECAUTIONS TO AVOID POSSIBLE EXPOSURE TO EXCESSIVE MICROWAVE RADIATION".
3. Do not overcook food.
4. Do not use the microwave oven cavity for storage purposes. Do not store items, such as bread, cookies, etc. inside the microwave oven.
5. Remove wire twist-ties and metal handles from paper or plastic containers/bags before placing them in the microwave oven.
6. Install or locate this microwave oven only in accordance with the installation instructions provided.
7. This microwave oven is intended to be used in household and similar applications such as:
 - staff kitchen areas in shops, offices and other working environments;
 - by clients in hotels, motels and other residential type environments;

- farm houses;
 - bed and breakfast type environments.
8. Do not store or use this microwave oven outdoors.
 9. Do not use this microwave oven near water, in a wet basement or near a swimming pool.
 10. Do not let the mains cable hang over the edge of a table or a counter.
 11. Microwave heating of beverages can result in delayed eruptive boiling, therefore care must be taken when handling the container.
 12. This microwave oven is not intended to be operated by means of an external timer or separate remote-control system.
 13. Steam cleaner is not to be used.
 14. During use the microwave oven becomes hot. Care should be taken to avoid touching the heating elements inside the microwave oven.
 15. Only use the temperature probe recommended for this microwave oven (for microwave ovens provided with a facility to use a temperature-sensing probe).
 16. **WARNING:** The microwave oven and its accessible parts become hot during use. Care should be taken to avoid touching heating elements.
 17. The rear surface of microwave oven should be placed against a wall.
 18. Microwave ovens must not be placed in a cabinet.

**READ CAREFULLY AND KEEP FOR
FUTURE REFERENCE**

To Reduce the Risk of Injury to Persons, install grounding

Danger

Electric Shock Hazard Touching some of the internal components can cause serious personal injury or death. Do not disassemble this microwave oven.

Warning

Electric Shock Hazard Touching some of the internal components can cause serious personal injury or death. Do not disassemble this microwave oven.

Electric Shock Hazard-Improper use of the grounding can result in electric shock.

Do not plug into an outlet until the microwave oven is properly installed and grounded.

This microwave oven must be grounded. In the event of an electrical short circuit, grounding reduces the risk of electric shock by providing an earthed wire for the electric current.

Consult a qualified electrician or service man if the grounding instructions are not completely understood or if doubt exists as to whether the microwave oven is properly grounded.

If it is necessary to use an extension cable, use only a 3-wire extension cable.

1. A short power-mains cable is provided to reduce the risks resulting from becoming entangled in or tripping over a longer cable.
2. If a long cable or extension cable is used:
 - 1) The marked electrical rating of the cable set or extension cable should be at least as great as the electrical rating of the microwave oven.
 - 2) The extension cable must be a grounding-type 3-wire cable.
 - 3) The long cable should be arranged so that it will not drape over the counter top or tabletop where it can be pulled on by children or tripped over unintentionally.

CLEANING

Be sure to unplug the microwave oven from the power supply.

1. Clean the cavity of the microwave oven after using with a slightly damp cloth.
2. Clean the accessories with warm soapy water.
3. The door frame and seal and neighbouring parts must be cleaned carefully with a damp cloth when they are dirty.
4. Do not use harsh abrasive cleaners or sharp metal scrapers to clean the microwave oven door glass since they can scratch the surface, which may result in shattering the glass.
5. Cleaning Tip-For easier cleaning of the cavity walls where cooked food has touched: Place half a lemon in a bowl, add 300ml (1/2 pint) water and heat on 100% microwave power for 10 minutes. Wipe the microwave oven clean using a soft, dry cloth.

GB

UTENSILS

CAUTION

Personal Injury Hazard

It is hazardous for anyone other than a qualified person to carry out any service or repair operation that involves the removal of a cover which gives protection against exposure to microwave radiation.

See the instructions on "Materials you can use in a microwave oven or to be avoided in a microwave oven." There may be certain non-metallic utensils that are not safe to use for microwaving. If in doubt, you can test the utensil in question following below procedure.

Utensil Test:

1. Fill a microwave-safe container with 1 cup of cold water (250ml) along with the utensil in question.
2. Cook on maximum power for 1 minute.
3. Carefully feel the utensil, if the empty utensil is warm, do not use it for microwave cooking.
4. Do not exceed 1 minute cooking time.

Materials you can use in a microwave oven

Utensils	Remarks
Browning dish	Follow the manufacturer's instructions. The bottom of the browning dish must be at least 3/16 inch (5mm) above the turntable. Incorrect usage may cause the turntable to break.
Dinnerware	Microwave-safe only. Follow manufacturer's instructions. Do not use cracked or chipped dishes.
Glass jars	Always remove lid. Use only to heat food until just warm. Most glass jars are not heat resistant and may break.
Glassware	Heat-resistant microwave oven glassware only. Make sure there is no meatallic trim. Do not use cracked or chipped dishes.
Microwave oven cooking bags	Follow manufacturer's instructions. Do not close with metal tie. Make slits to allow steam to escape.
Paper plates and cups	Use for short-term cooking/warming only. Do not leave the microwave oven unattended while cooking.
Paper towels	Use to cover food for reheating and absorbing fat. Use with supervision for short-term cooking only.
Parchment paper	Use as a cover to prevent splattering or a wrap for steaming.
Plastic	Microwave-safe only. Follow the manufacturer's instructions. Should be labeled "Microwave Safe". Some plastic containers soften, as the food inside gets hot. "Boiling bags" and tightly closed plastic bags should be slit, pierced or vented as directed by the manufacturer.
Plastic wrap	Microwave-safe only. Use to cover food during cooking to retain moisture. Do not allow plastic wrap to touch food.
Thermometers	Microwave-safe only (meat and candy thermometers).
Wax paper	Use as a cover to prevent splattering and retain moisture.

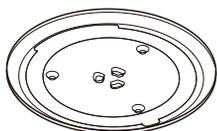
Materials to be avoided in a microwave oven

Utensils	Remarks
Aluminum tray	May cause deforming. Transfer food into a microwave-safe dish.
Food carton with metal handle	May cause deforming. Transfer food into a microwave-safe dish.
Metal or metaltrimmed utensils	Metal shields the food from microwave radiation. Metal trim may cause deforming.
Metal twist ties	May cause deforming and could cause a fire in the microwave oven.
Paper bags	May cause a fire in the microwave oven.
Plastic foam	Plastic foam may melt or contaminate the liquid inside when exposed to high temperature.
Wood	Wood will dry out when used in the microwave oven and may split or crack.

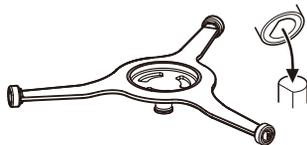
PRODUCT OVERVIEW

(In case of any differences between the appliance and the pictures in this manual, the product will prevail.)

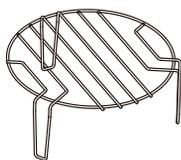
Remove all package materials from the carton and the cavity.
Your microwave oven comes with following accessories:



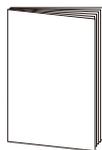
Glass Tray



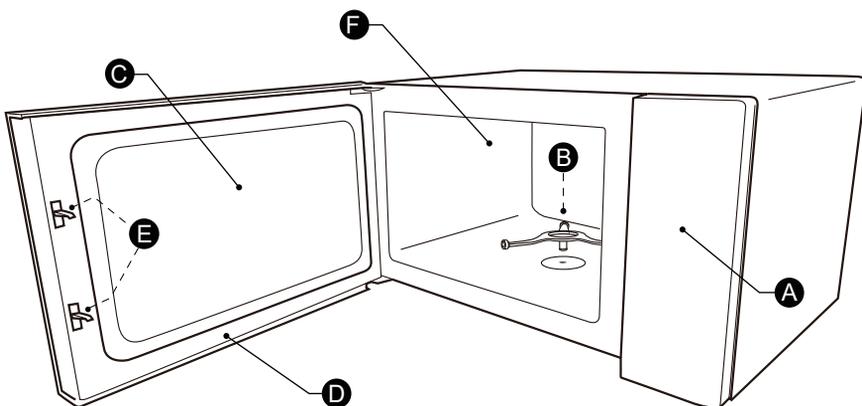
Turntable Ring Assembly



Grill Rack(Can not be used in microwave function and must be placed on the glass tray)



Instruction Manual

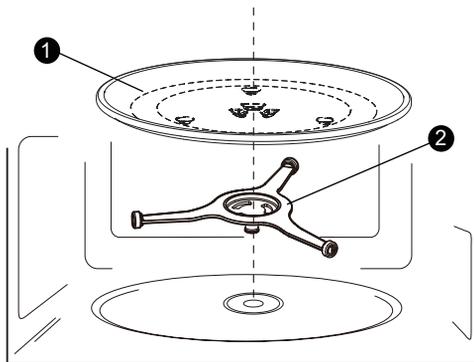


- A) Control panel
- B) Turntable ring assembly
- C) Observation window

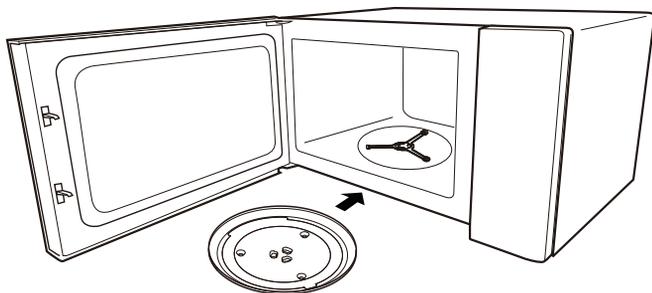
- D) Door assembly
- E) Safety interlock system
- F) Microwave oven cavity

BEFORE USE

Cleaning the cooking compartment and putting the turntable in place. For new installations, make sure all packaging and shipping tape has been removed. Before using the appliance to prepare food for the first time, you need to put the turntable in place correctly and clean the cooking compartment and accessories.



- 1) Glass Tray
- 2) Turntable Ring Assembly



Notes:

1. Never use the appliance without the turntable. Make sure that it is properly engaged. The turntable can turn clockwise or anti-clockwise.
2. Never place the glass tray upside down. The glass tray should never be restricted.
3. Both glass tray and turntable ring assembly must always be used during cooking.
4. All food and containers of food should be always placed on the glass tray for cooking.
5. Never restrict the movement of the turntable.
6. If glass tray or turntable ring assembly cracks or breaks, contact your nearest authorized service center.

INSTALLATION

Turntable Installation

Remove all packing material and accessories.

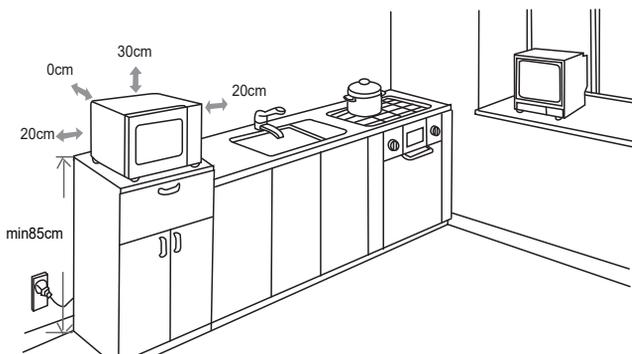
Examine the microwave oven for any damage such as dents or a broken door. Do not install if the microwave oven is damaged.

Cabinet: Remove any protective film found on the microwave oven cabinet surface.

Do not remove the light brown Mica cover that is attached to the microwave oven cavity to protect the magnetron.

Installation

1. Select a level surface that provides enough open space for the intake and / or outlet vents.



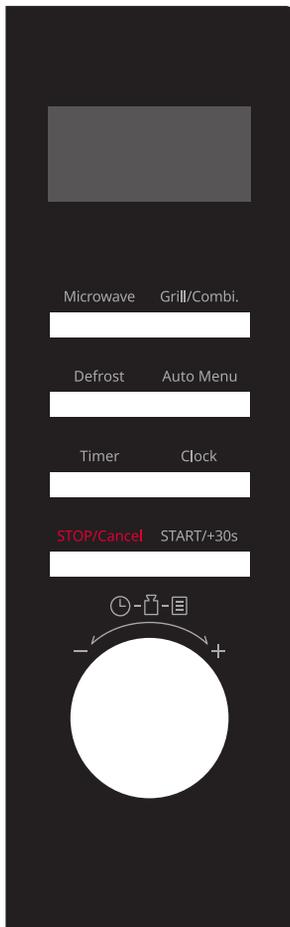
- (1) The minimum installation height is 85cm.
 - (2) The rear surface of the microwave oven should be placed against a wall. Leave a minimum clearance of 30cm above the microwave oven, and a minimum clearance of 20cm between the microwave oven and any adjacent walls.
 - (3) Do not remove the legs from the bottom of the microwave oven.
 - (4) Blocking the intake and/ or outlet openings can damage the microwave oven.
 - (5) Place the microwave oven as far away from radios and TVs as possible. Operation of a microwave oven may cause interference to your radio or TV reception.
2. Plug your microwave oven into a standard household outlet. Be sure the voltage and the frequency is the same as the voltage and the frequency on the rating label.

WARNING: Do not install the microwave oven over a cooktop or other heat-producing microwave oven. If installed near or over a heat source, the microwave oven could be damaged and the warranty will be void.



The accessible surface may be hot during operation.

CONTROL PANEL



Display:

Time, power and indicators are displayed.

Microwave:

Microwave function and power level setting.

Grill/Combi.:

Grill function or grill and microwave combination.

Defrost:

Defrost by time or weight.

Auto Menu:

Auto menu options.

Timer:

Timer setting.

Clock:

Clock setting.

STOP/Cancel:

Stop or cancel program.

START/+30s:

Start program or quick start cooking in standby mode at full power level.



An addition to other keys when adjusting power level, cooking time, defrosting time or weight, etc.

OPERATION

1. Setting the Clock

- (1) Press “ Clock ” once and then “ 00:00 ” will display.
- (2) Turn the knob to set the hour, it should be within 0-23.
- (3) Press “ Clock ” to confirm.
- (4) Turn the knob to set the minute, it should be within 0-59.
- (5) Press “ Clock ” to confirm. The clock is set.

Notes:

- (1) After step 4, if the “ Clock ” button is not pressed or if there is no operation within 5 minute, the setting is invalid.
- (2) The clock is a 24-hour display.
- (3) To reset the clock, please repeat step 1 to step 5.
- (4) If the clock is not set, it would not function when powered.

2. Microwave Cooking

10 power levels are available.

Level	10	9	8	7	6	5	4	3	2	1
Power	100%	90%	80%	70%	60%	50%	40%	30%	20%	10%
Display	P100	P 90	P 80	P 70	P 60	P 50	P 40	P 30	P 20	P 10

- (1) Press “ Microwave ” and then “P100” will display.
- (2) Press “ Microwave ” repeatedly or turn the knob to set the power level.
- (3) Press “ START/+30s ” to confirm.
- (4) Turn the knob to adjust the cooking time. The maximum time value is “95:00” .
- (5) Press “ START/+30s ” to start cooking.

3. Setting the Kitchen Timer

- (1) Press “ Timer ” once and then “00:00” will display.
- (2) Turn the knob to set the desired time. The maximum time value is “95:00” .
- (3) Press “ START/+30s ” to confirm. The timer starts counting down.

Notes:

- (1) The kitchen timer is a timer.
- (2) During the kitchen timer, no programs can be set.

4. Grill Cooking

- (1) Press “ Grill/Combi. ” once and then “G-1” will display.
- (2) Press “ START/+30s ” to confirm.
- (3) Turn the knob to set the cooking time. The maximum time value is “95:00” .
- (4) Press “ START/+30s ” to start cooking.

Note: The buzzer will sound to remind you to turn the food over during grilling. If no operation, the oven will continue working.

5. Combination Cooking

- (1) Press “ Grill/Combi. ” once and then “G-1” will display. Press “Grill/Combi.” repeatedly to choose the power you want, and “C-1”, “C-2” will display in order.
- (2) Press “ START/+30s ” to confirm.
- (3) Turn the knob to set the cooking time. The maximum time value is “95:00”.
- (4) Press “ START/+30s ” to start cooking.

Note: Combination instructions

Function	Display	Microwave Power	Grill Power
Combi. 1	C-1	55%	45%
Combi. 2	C-2	36%	64%

6. Defrost by Weight

- (1) Press “ Defrost ” once and then the screen will display “dEF1”.
- (2) Turn the knob to set the weight of food. The range of weight is 100 to 2000g.
- (3) Press “ START/+30s ” to start defrosting.

Note: The buzzer will sound to remind you to turn the food over during defrosting.
If no operation, the oven will continue working.

7. Defrost by Time

- (1) Press “ Defrost ” twice and then the screen will display “dEF2”.
- (2) Turn the knob to set the desired defrost time. The range of time is 0:05-95:00.
- (3) Press “ START/+30s ” to start defrosting.

Notes:

- (1) The buzzer will sound to remind you to turn the food over during defrosting.
If no operation, the oven will continue working.
- (2) The default power level is P30 and it can not be changed.

8. Multi-Stage Cooking

Notes:

- (1) Two cooking stages can be set in multi-stage cooking.
- (2) If you set defrost function, it will work automatically in the first stage.
- (3) Kitchen Timer, Auto menu, Speedy cooking cannot be set as one of the multi-stage.
- (4) You can press "START/+30s" to increase cooking time during multi-stage cooking.

Example: Defrost food for 5 minutes and then cook with 80% microwave power for 7 minutes, the cooking steps are as following:

- (1) Press " Defrost " twice and then the screen will display "dEF2".
- (2) Turn the knob to set the desired defrost time of 5 minutes.
- (3) Press " Microwave " and then "P100" will display.
- (4) Turn the knob to set the power level of P80.
- (5) Press " START/+30s " .
- (6) Turn the knob to set the cooking time of 7 minutes.
- (7) Press " START/+30s " to start cooking.

9. Speedy Cooking

- (1) In standby mode, press " START/+30s " to cook food with 100% power level for 30 seconds. Each press on the same key can increase 30 seconds and the maximum time value is 95 minutes.
- (2) In standby mode, turn the knob left to set a cooking time with 100% power. Then press " START/+30s " to start cooking.

10. Lock Function for Children

You can use this function to prevent children from accidentally turning the oven on.

To activate the lock:

In standby mode, press and hold " STOP/Cancel " for three seconds. A long beep sounds and the locked icon will display.

To deactivate the lock:

In locked state, press and hold " STOP/Cancel " for three seconds, a beep will sound to remind dis-lock and the lock icon will not display.

11. Inquiring Function

- (1) If the clock has been set, the current time will display for three seconds by pressing " Clock " in the cooking state.
- (2) In the microwave cooking, press " Microwave " to inquire the power level. In grill and combination cooking, press " Grill/Combi. " to inquire the current cooking mode.

12. Auto menu

- (1) Press “ Auto Menu ” once and then “A-1” will display.
- (2) Press “ Auto Menu ” repeatedly or turn the knob to choose the menu you need.
8 auto menus are available in total.
- (3) Press “ START/+30s ” to confirm.
- (4) Turn the knob to set the weight of food.
- (5) Press “ START/+30s ” to start cooking.

Auto Menu Chart

Menu	Weight / Volumn	Display	Power
A-1 Auto Reheat	200g	200	P100
	400g	400	
A-2 Meat	250g	250	P100
	350g	350	
	450g	450	
A-3 Fresh Vegetable	200g	200	P100
	300g	300	
	400g	400	
A-4 Pasta	50g (with 450g cold water)	50	P 80
	100g (with 800g cold water)	100	
A-5 Potato	1 pc (about 230g)	1	P100
	2 pcs	2	
	3 pcs	3	
A-6 Fish	250g	250	P 80
	350g	350	
	450g	450	
A-7 Beverage	1 portion (120ml)	1	P100
	2 portions (240ml)	2	
	3 portions (360ml)	3	
A-8 Popcorn	50g	50	P100
	100g	100	

TROUBLE SHOOTING

Normal	
Microwave oven interfering TV reception	Radio and TV reception may be interfered when microwave oven operating. It is similar to the interference of small electrical appliances, like mixer, vacuum cleaner, and electric fan. It is normal.
Dim light	In low power microwave cooking, the light may become dim. It is normal.
Steam accumulating on the door, hot air coming out from the vent	In cooking, steam may come out of food. Most will get out from vents. But some may accumulate on cool place like the door. It is normal.
Microwave oven starts accidentally with no food in.	It is forbidden to run the unit without any food inside. It is very dangerous.

GB

Trouble	Possible Cause	Remedy
Microwave oven cannot be started.	(1) Power cord is not plugged in tightly.	Unplug. Then plug again after 10 seconds.
	(2) Fuse blowing or circuit breaker works.	Replace fuse or reset circuit breaker (repair by professional personnel)
	(3) Trouble with outlet.	Test outlet with other electrical appliances.
Microwave oven does not heat.	Door is not closed well.	Close door well.

SPECIFICATION

Model:	POMW5023GB
Rated Voltage:	230V~ 50Hz
Rated Input Power(Microwave):	1350W
Rated Output Power(Microwave):	900W
Rated Input Power(Grill):	1000W
Microwave Oven Capacity:	23L
Product Dimensions:	280mm (H) x 469mm (W) x 365mm (D)



According to Waste of Electrical and Electronic Equipment (WEEE) directive, WEEE should be separately collected and treated. If at any time in future you need to dispose of this product please do NOT dispose of this product with household waste. Please send this product to WEEE collecting points where available.

Power International AS,
PO Box 523, N-1471 Lørenskog, Norway

Power Norge:
<https://www.power.no/kundeservice/>
T: 21 00 40 00

Power Danmark:
<https://www.power.dk/kundeservice/>
T: 70 33 80 80

Punkt 1 Danmark:
<https://www.punkt1.dk/kundeservice/>
T: 70 70 17 07

Power Finland:
<https://www.power.fi/tuki/asiakaspalvelu/>
T: 0305 0305

Power Sverige:
<https://www.power.se/kundservice/>
T: 08 517 66 000

SIKKERHETSADVARSLER

Generelt om sikkerhet

- Slå av og trekk ut støpselet før du tar i bruk eller fjerner tilbehør, samt etter bruk og før rengjøring.
- Hold fingrene borte fra bevegelige deler og påmontert tilbehør.
- Bruk aldri et skadet apparat.
- Ikke bruk apparatet når det er tomt.
- Hold strømledningen utenfor barns rekkevidde.
- Hold apparatet, strømledningen og støpselet borte fra vann.
- Ikke overskrid maks kapasitet.
- Ved bruk av tilbehør, les alle relevante sikkerhetsanvisninger.
- Vær forsiktig når du løfter apparatet, det veier mye.
- Dersom apparatet har falt i bakken eller er skadet, bør du få det sjekket av et kvalifisert serviceverksted for å sikre at det er trygt å bruke.
- Barn i alderen mellom 3 og 8 år skal bare slå av/på apparatet når det er plassert eller installert i tiltenkt normal arbeidsstilling, og så sant de får tilsyn eller instruksjoner om bruk av apparatet på en sikker måte, og forstår farene som er involvert.
- Barn må holdes under oppsyn slik at de ikke leker med apparatet.
- Apparatet skal kun brukes for tiltenkt husholdningsbruk.

Vedlikehold av mikrobølgeovnen

ADVARSEL: Det kan oppstå fare dersom andre enn kvalifisert personell utfører service og reparasjoner som omfatter fjerning av deksler som beskytter mot eksponering for mikrobølgeenergi.

ADVARSEL: Hvis døren eller dørpakninger er defekte, må mikrobølgeovnen ikke brukes før den har blitt reparert av kvalifisert personell.

- Dersom du ser røyk må du slå mikrobølgeovnen av, trekke ut støpselet og holde døren lukket for å kvele eventuelle flammer.
- Hvis strømkabelen blir skadet, må den skiftes ut av en sertifisert servicetekniker eller annet kvalifisert servicepersonell.
- Personer med pacemaker bør konsultere lege før de bruker mikrobølgeovn.

Bruk av mikrobølgeovnen

- Dette produktet er ikke ment for kommersiell bruk.
- Det skal under ingen omstendigheter brukes til tørking av klær eller andre formål som ikke innbefatter mat.
- Mikrobølgeovnen bør være under tilsyn når den er i bruk.
- Tilgjengelige overflater kan bli svært varme når mikrobølgeovnen er i bruk.
- For å unngå fuktdannelser i mikrobølgeovnen, bør døren åpnes umiddelbart etter at tilberedningen er ferdig slik at dampen slippes ut.
- Bruk kun redskaper som er egnet for bruk i mikrobølgeovn.
- Det bør utvises forsiktighet ved bruk av papir, plast, tre eller andre brennbare materialer i mikrobølgeovnen, ettersom slike materialer kan ta fyr.
- Olje og fett for frityrsteking må ikke varmes opp i mikrobølgeovnen.
Bruk kun plastfolie beregnet for bruk i mikrobølgeovn, og vær ekstra forsiktig når du brener folien for å unngå at du brenner deg fra dampen.
- Tilbered kun popcorn som er beregnet for mikrobølgeovn.

Tilberedning

- Ettersom effekten fra forskjellige mikrobølgeovner kan variere betydelig, må man være forsiktig første gang mikrobølgeovnen tas i bruk, ettersom tilberedningen kan være raskere enn forventet.
- Ikke la mikrobølgeovnen være uten tilsyn mens det er i bruk.
- Vær forsiktig når du tilbereder mat med høyt sukker- eller fettinnhold, som fruktkaker eller puddinger. Sukker og fett kan i enkelte tilfeller overopphetes og ta fyr. ADVARSEL: Mikrobølgeovnen kan brukes av barn som er under tilsyn, og som er gitt tilstrekkelig opplæring til at mikrobølgeovnen kan brukes på en trygg måte, og som er innforstått med farene ved feil bruk. Ikke anta at et barn kan tilberede mat uten tilsyn, bare fordi han/hun vet hvordan man tilbereder mat. Mikrobølgeovnen skal IKKE behandles heller ikke brukes som et leketøy.

Brann

Dersom det oppstår brann:

- Hold døren på mikrobølgeovnen lukket.
- Slå av strømmen.
- Trekk ut strømledningen.

Førstehjelp

Behandling av skålding:

- Hold det skåldede området under kaldt rennende vann i minst 10 minutter.
- Dekk til området med en ren og tørr bandasje. Ikke bruk krem eller olje.

Rengjøring av mikrobølgeovnen

Mikrobølgeovnen bør rengjøres regelmessig, og eventuelle matrester bør fjernes. Unnlatelse av å holde mikrobølgeovnen ren, kan redusere til levetiden på mikrobølgeovnen, og potensielt føre til farlige situasjoner (se punktet Rengjøring av mikrobølgeovnen)

Gjenstander som ikke skal brukes i en mikrobølgeovn

- Det skal ikke brukes metallgjenstander i mikrobølgeovnen. Dette inkluderer:
 - Kjøkkenutstyr av metall
 - Fat eller brett av metall
 - Vinkorker av metall
 - Serviser med metallbånd
 - Steketermometer av metall
- Bruk aldri gjenstander som er laget av metall i mikrobølgeovnen, unntatt aluminiumsfolie. Mikrobølgeenergien går ikke gjennom metall, og således vil den reflekteres bort og danne gnister inne i mikrobølgeovnen.
- Stopp mikrobølgeovnen umiddelbart dersom du ser gnistdannelse.
- Husk at enkelte serviser har metallbånd rundt kantene. Slike metallbånd kan også skape gnistdannelse.

Beholdere

ADVARSEL: Det vil brygge seg opp trykk i tette beholdere, som kan føre til at de eksploderer. Derfor må følgende ikke brukes i en mikrobølgeovn:

- Lukkede beholdere, flasker med lukket kork, vakuum beholdere
- Lukkede glass, hardkokte egg, egg med skall
- Nøtter
- Frukt og grønnsaker (f.eks. poteter) bør alltid perforeres.
- Ikke et bruk ripet, sprukket eller skadet glass i en mikrobølgeovn. Glass som er skadet kan eksplodere.
- Når du varmer opp mat i plast eller papir, må du holde et øye med mikrobølgeovnen på grunn av muligheten for antenning.

Forsinket oppkoking

Væsker som varmes opp i en mikrobølgeovn kan koke opp når de tas ut av en mikrobølgeovn.

Ta følgende forholdsregler:

- Rør alltid rundt i væsken før og etter tilberedning.
- La væsken stå en liten stund.
- Bruk beholdere som er bredere i toppen enn i bunnen.

Tilberedning av babymat

Det må utvises ekstra forsiktighet når du tilbereder mat eller drikke for babyer og småbarn.

- Sjekk alltid temperaturen på maten eller drikken før du mater barnet.
- Ved bruk av tåteflaske, må smokken fjernes før oppvarming.
- Ved oppvarming av melk, husk å riste flasken.



Varme overflater

Under tilberedningen blir utvendige flater varme. Ikke berør mikrobølgeovnen utvendig. Ikke la det stå gjenstander på toppen av mikrobølgeovnen.



Jording

ADVARSEL: DETTE APPARATET SKAL JORDES.

- Dette apparatet er utstyrt med en strømlledning med jordet støpsel.
- Støpselet må settes i en egnet stikkontakt som er installert og jordet i samsvar med alle lokale standarder og forskrifter.

Advarsel!

- Feil tilkobling av jordlederen kan medføre fare for elektrisk støt.
- Sjekk med en autorisert elektriker eller serviceverksted hvis du er i tvil om apparatet er riktig jordet.
- Det må ikke gjøres endringer på støpselet som er montert på apparatet.
- Hvis støpselet ikke passer ordentlig i stikkontakten, må du få en autorisert elektriker til å installere en egnet stikkontakt.

FORHOLDSREGLER FOR Å UNNGÅ MULIG EKSPONERING FOR FOR MYE MIKROBØLGEENERGI

- (a) Ikke prøv å bruke ovnen med døren åpen, da dette kan føre til skadelig mikrobølgestråling. Det er viktig at man ikke ødelegger eller tukler med sikkerhetslåsene.
- (b) Ikke plasser gjenstander mellom ovnens forside og døren, eller la skitt eller rester av rengjøringsmidler samle seg på pakningsflatene.

ADVARSEL OM VIKTIGE SIKKERHETSINSTRUKSJONER

For å redusere risikoen for brann, elektrisk støt, personskader eller eksponering for overdreven mikrobølgeovneenergi når du bruker apparatet, må du følge grunnleggende forholdsregler, inkludert følgende:

1. Rengjøring og bruksvedlikehold skal ikke foretas av barn med mindre de er eldre enn 8 år og er under tilsyn.
Les og følg: "FORHOLDSREGLER FOR Å UNNGÅ MULIG EKSPONERING FOR FOR MYE MIKROBØLGEENERGI".
2. Ikke overkok mat.
3. Ikke bruk ovnsrommet til lagringsformål.
4. Ikke oppbevar elementer, som for eksempel brød, kjeks osv. inne i ovnen.
Fjern trådvridde bånd og metallhåndtak fra papir- eller
5. plastbeholdere/poser før du legger dem i ovnen.
Installer og plasser denne ovnen kun i henhold til installasjonsveiledningen.
6. Dette apparatet er beregnet til bruk i husholdninger og lignende bruksområder som:
7. - kjøkkenområder for personale i butikker, kontorer og andre arbeidsmiljøer;
- av kunder på hoteller, moteller og andre bolig typemiljøer;
- gårdsbruk;
- kjøkken- og frokosttypemiljøer.

8. Ikke oppbevar eller bruk dette apparatet utendørs.
9. Ikke bruk denne ovnen i nærheten av vann, i en fuktig kjeller eller nær et svømmebasseng.
10. Ikke la ledningen henge over kanten på bordet eller benken.
11. Mikrobølgeoppvarming av drikkevarer kan føre til forsinket eksplosjonsartet koking, derfor må man være forsiktig når man håndterer beholderen.
12. Apparatene er ikke ment å bli betjent av et eksternt tidsur eller separat fjernkontrollsystem.
13. Damprenser skal ikke brukes.
14. Under bruk blir apparatet varmt. Man må utvise varsomhet slik at man ikke berører varmeelementene inne i ovnen.
15. Bruk kun temperatursonden som er anbefalt for denne ovnen. (for ovner utstyrt med en innretning for å bruke en temperatursensorisk sonde.)
16. **ADVARSEL:** Apparatet og dets tilgjengelige deler blir varme under bruk. Man må utvise varsomhet slik at man ikke berører varmeelementene inne i ovnen. Barn under 8 år skal holdes unna med mindre de overvåkes kontinuerlig.
17. Den bakre flaten av apparatet skal plasseres mot en vegg.
18. Mikrobølgeovnen må ikke plasseres i et skap.

**LES NØYE OG TA VARE PÅ DETTE SKRIVET
FOR FREMTIDIG REFERANSE**

For å redusere risikoen for skade på personers jordingsinstallasjoner

FARE

Fare for elektrisk støt Å berøre noen av de indre komponentene kan føre til alvorlig personskade eller død. Ikke demonter dette apparatet.

ADVARSEL

Fare for elektrisk støt Feil bruk av jordingen kan føre til elektrisk støt. Ikke koble ovnen til et strømuttak før apparatet er riktig installert og jordet.

Dette apparatet må jordes.

I tilfelle av en elektrisk kortslutning, reduserer jording faren for elektrisk støt ved å tilveiebringe en fluktledning for den elektriske strømmen.

Ta kontakt med en kvalifisert elektriker eller servicetekniker hvis jordingsinstruksjonene ikke er helt forstått, eller hvis det foreligger tvil om hvorvidt apparatet er riktig jordet. Hvis det er nødvendig å bruke en skjøteledning, bruk kun en jordet skjøteledning.

1. En kort strømlledning er tilveiebrakt for å redusere risikoen for å bli viklet inn i eller snuble over en lengre ledning.
2. Hvis det brukes en lang ledning eller skjøteledning:
 - 1) Den markerte elektriske effekten på ledningen eller skjøteledningen bør være minst like stor som den elektriske effekten av apparatet.
 - 2) Skjøteledningen må være en jordet skjøteledning.
 - 3) Den lange ledningen må ordnes slik at den ikke blir hengende over benkeplaten eller på bordet der barn kan trekke i den eller snuble over den utilsiktet.

RENGJØRING

Sørg for å koble apparatet fra strømforsyningen.

1. Rengjør ovnsrommet etter bruk med en fuktig klut.
2. Rengjør tilbehøret på vanlig måte i såpevann.
3. Dørkarmen og forseglingen og nabodeler må rengjøres forsiktig med en fuktig klut når de er skitne.
4. Ikke bruk sterke skuremidler eller skarpe metallskraper for å rengjøre ovnsdørglasset da de kan ripe opp overflaten, noe som kan føre til at glasset sprekker.
5. Rengjøringstips---For lettere rengjøring av romveggene som den tilberedte maten kan berøre: Sett en halv sitron i en bolle, tilsett 300 ml (1/2 halvliter) vann og varm ved 100 % mikrobølgeeffekt i 10 minutter. Tørk ovnen ren med en myk, tørr klut.
10 minutes. Wipe the microwave oven clean using a soft, dry cloth.

REDSKAPER

ADVARSEL

Fare for personskade

Det er farlig for alle andre enn en kompetent person å utføre service eller reparasjoner som innebærer fjerning av et deksel som beskytter mot eksponering overfor mikrobølgeenergi.

Se instruksjonene under "Materialer du kan bruke i mikrobølgeovnen eller som må unngås i mikrobølgeovnen." Det kan være enkelte ikke-metalliske redskaper som ikke er trygge å bruke i mikrobølgeovnen. Er du i tvil, kan du teste redskapet det dreier seg om ved å følge prosedyren nedenfor.

Redskapstest:

1. Fyll en mikrobølgesikker beholder med 1 kopp med kaldt vann (250 ml) sammen med redskapet.
2. Stek på maksimal effekt i 1 minutt.
3. Overvåk redskapet nøye. Hvis det tomme redskapet er varmt, må du ikke bruke det i mikrobølgeovnen.
4. Ikke overstig steketiden på 1 minutt.

Materialer du kan bruke i mikrobølgeovnen

Redskaper	Merknader
Bruningsfat	Følg leverandørens anvisning. Bunnen på bruningsfatet må være minst 3/16 tommers (5 mm) over dreieskiven. Feil bruk kan føre til at dreieskiven går i stykker.
Servise	Kun de som er trygge i mikrobølgeovn. Følg leverandørens anvisning. Ikke bruk sprukne eller avkappede asjetter.
Glasskrukker	Ta alltid av lokket. Brukes kun til å varme opp maten til den er varm. De fleste glasskrukker er ikke varmebestandige og kan gå i stykker.
Drikkeglass	Kun varmebestandige ovnsglass. Pass på at de ikke er metallbelagt. Ikke bruk sprukne eller avkappede asjetter.
Stekeposer	Følg leverandørens anvisning. Ikke lukk med metallbånd. Lag skår for å la dampen komme ut.
Papirasjetter og kopper	Bruk kun for kortsiktig matlaging/oppvarming. Ikke la ovnen stå uten tilsyn mens du lager mat.
Tørkepapir	Brukes til å dekke mat for gjenoppvarming og å absorbere fett. Bruk med tilsyn for kun en kortsiktig matlaging.
Pergamentpapir	Bruk som dekke for å hindre sprut eller et omslag for damping.
Plast	Kun de som er trygge i mikrobølgeovn. Følg leverandørens anvisning. Bør være merket "mikrobølgeovnsikker". Noen plastbeholdere mykner når maten innvendig blir varm. "Kokeposer" og tett lukkede plastposer bør skåres, gjennombores eller ventileres som anvist på pakken.
Plastfolie	Kun de som er trygge i mikrobølgeovn. Brukes til å dekke maten under steking for å holde på fuktigheten. Ikke la plastfolien røre maten.
Termometre	Kun mikrobølgeovnsikker (kjøtt- og godteritermometre).
Vokspapir	Bruk som dekke for å hindre sprut og holde på fuktigheten.

Materialer som må unngås i mikrobølgeovnen

Kjøkkenutstyr	Merknader
Aluminiumsbrett	Kan medføre overslag. Legge mat på mikrobølgeovnsikker skål.
Mateske med metallhåndtak	Kan medføre overslag. Legge mat på mikrobølgeovnsikker skål.
Metall eller metallbelagt kjøkkenutstyr	Metall beskytter mat fra mikrobølgeenergi. Metallbeslag kan medføre overslag.
Metallvridde bånd	Kan forårsake overslag og kan forårsake brann i ovnen.
Papirposer	Kan forårsake brann i ovnen.
Plastskum	Plastskum kan smelte eller forurense væsken innvendig når det utsettes for høy temperatur.
Tre	Tre vil tørke ut når det brukes i mikrobølgeovnen, og kan splittes eller sprekke.

PRODUKTOVERSIKT

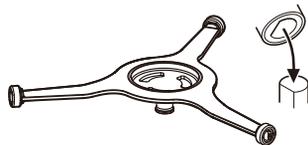
(Hvis det er forskjeller mellom apparatet og bildene i denne håndboken, er det produktet som gjelder.)

Fjern alt emballasjemateriale fra kartongen og innsiden.

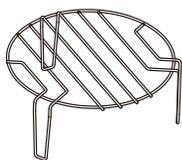
Mikrobølgeovnen leveres med følgende tilbehør:



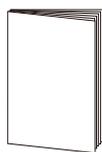
Glassbrett



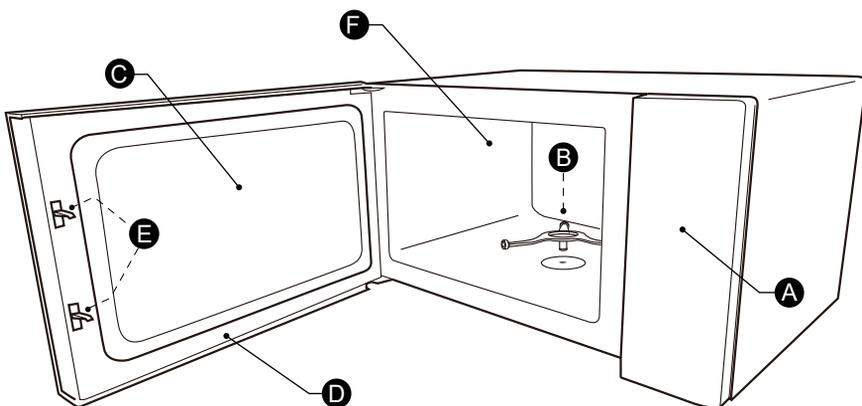
Dreieplateringenhet



Grillstativ (kan ikke brukes i mikrobølgeovn og må plasseres på glassbrettet)



Bruksanvisning



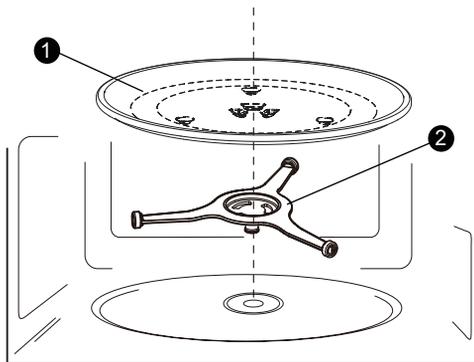
A) Kontrollpanel
B) Dreieplateringenhet
C) Observasjonsvindu

D) Dørenhet
E) Sikkerhetssperresystem
F) Mikrobølgeovens ovnsrom

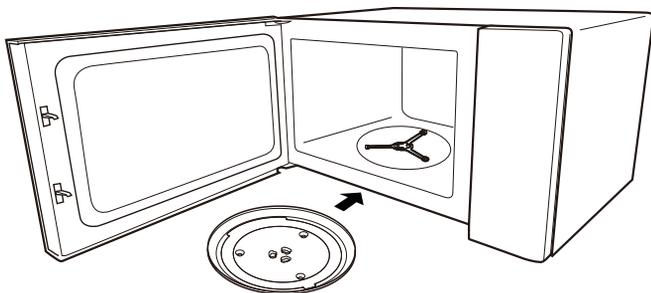
FØR BRUK

Rengjøring av ovnsrommet og sette på plass dreieplaten.

For nye installasjoner må man sørge for at all emballasje og teip er fjernet. Før du bruker apparatet til å tilberede mat for første gang, må du sette dreieplaten på plass riktig og rengjøre ovnsrommet og tilbehøret.



- 1) Glassbrett
- 2) Dreieplateringenhet



Merknader:

1. Bruk aldri apparatet uten dreieplaten. Sørg for at den er ordentlig satt på. Dreieplaten kan dreie med eller mot klokken.
2. Sett aldri glassbrettet opp ned. Glassbrettet skal aldri holdes fast.
3. Man må alltid bruke både glassbrett og dreieplateringenheten under matlaging.
4. Mat og matbeholdere må alltid plasseres på glassbrettet for matlaging.
5. Begrens aldri bevegelsen til dreieplaten.
6. Kontakt ditt nærmeste autoriserte servicesenter hvis glassbrettet eller dreieskive ringen sprekker eller går i stykker.

INSTALLASJON

Installasjon på benkeplate

Fjern all emballasje og tilbehør.

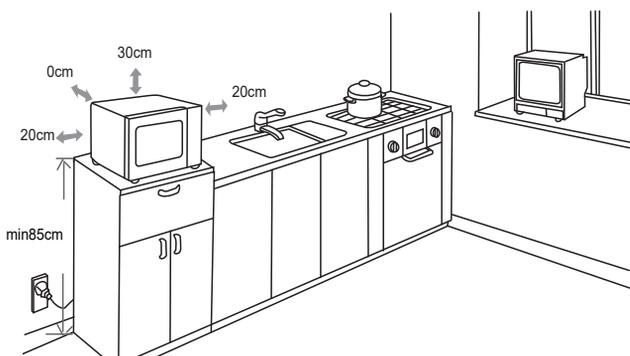
Se etter skader på ovnen, som bulker eller en ødelagt dør. Ikke installer ovnen er skadet.

Skap: Fjern beskyttelsesfilm på overflaten av mikrobølgeovens kabinett.

Ikke fjern bølgelederdekselet som er festet til ovnsrommet for å beskytte magnetronen.

Installasjon

1. Velg en jevn overflate med nok åpen plass for inntaks- og/eller utløpsventiler.



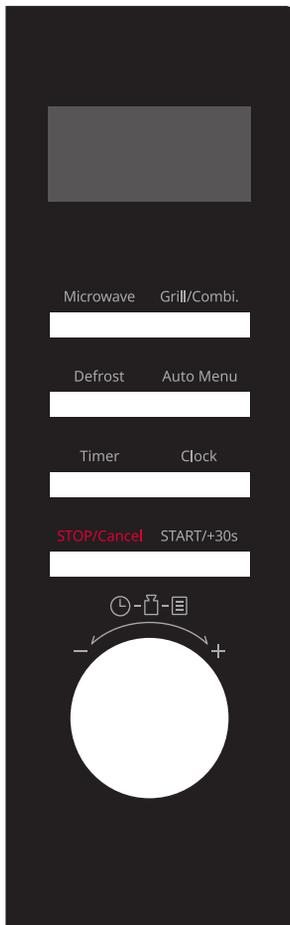
- (1) Minste installasjonshøyde er 85 cm.
 - (2) Baksiden av apparatet skal plasseres mot en vegg. La det være minst 30 cm over ovnen og minst 20 cm mellom ovnen og eventuelle tilstøtende vegger.
 - (3) Ikke fjern benene fra bunnen av ovnen.
 - (4) Hvis inntaks- og/eller utløpsåpningene blir blokkert, kan det skade ovnen.
 - (5) Plasser ovnen så langt unna radioer og TV som mulig. Bruk av mikrobølgeovnen kan forårsake forstyrrelser på radio- eller TV-mottak.
2. Koble ovnen til en vanlig stikkontakt. Sørg for at spenningen og frekvensen er den samme som spenningen og frekvensen på merkeetiketten.

ADVARSEL: Ikke installer ovnen over en komfyr eller annet apparat som lager varme. Hvis den installeres nær en varmekilde, kan den bli skadet, og garantien gjøres ugyldig.



Tilgjengelige overflater kan bli varme under drift.

KONTROLLPANEL



Skjerm:

Tid, strøm og indikatorer vises her

Microwave (Mikrobølge):

Mikrobølgefunksjon og innstilling av effektnivå

Grill/Combi (kombi):

Grillfunksjon eller kombinasjon av grill og mikrobølgeovn

Defrost (Opptining):

Opptining etter tid eller vekt

Auto Menu (Automeny):

Automeny alternativer

Timer (Tidtaker):

Stille inn tidtakeren

Clock (Klokke):

Stille klokken

STOPP/Cancel (Avbryt):

Stopp eller avbryt programmet

START/+30s (+30sek.):

Start programmet eller hurtigstart matlaging fra ventemodus på fullt effektnivå.



Brukes med andre taster til justering av effektnivå, koketid, tid eller vekt for opptining osv.

DRIFT

1. Stille inn klokken

- (1) Trykk «Clock» én gang, så vises «00:00».
- (2) Vri knotten for å stille inn timen. Den skal være innenfor 0-23.
- (3) Trykk «Clock» for å bekrefte.
- (4) Vri knotten for å stille inn minuttet. Det skal være innenfor 0-59.
- (5) Trykk «Clock» for å bekrefte. Klokken er innstilt.

Merknader:

- (1) Hvis «Clock»-knappen ikke trykkes etter trinn 4, eller det ikke gjøres noe på 5 minutt, brukes inne innstillingen.
- (2) Klokken viser 24 timer.
- (3) For å tilbakestille klokken, gjentar du trinn 1 til trinn 5.
- (4) Hvis klokken ikke er stilt inn, vil den ikke fungere når ovnen er slått på.

2. Tilberedning med mikrobølger

Det er 10 effektnivåer.

Nivå	10	9	8	7	6	5	4	3	2	1
Effekt	100%	90%	80%	70%	60%	50%	40%	30%	20%	10%
Display	P100	P 90	P 80	P 70	P 60	P 50	P 40	P 30	P 20	P 10

- (1) Trykk «Microwave» én gang, så vises «P100».
- (2) Trykk «Microwave» flere ganger eller vri knotten for å stille inn effektnivået.
- (3) Trykk «START/+30s» for å bekrefte.
- (4) Vri knotten for å justere tilberedningstiden. Maksimumsverdien for tid er «95:00».
- (5) Trykk «START/+30s» for å starte tilberedning.

3. Stille inn tidtakeren

- (1) Trykk «Timer» én gang, så vises «00:00».
- (2) Vri knotten for å stille inn tiden. Maksimumsverdien for tid er «95:00».
- (3) Trykk «START/+30s» for å bekrefte. Tiden begynner å telle ned.

Merknader:

- (1) Tidtakeren er bare en tidtaker.
- (2) Når tidtakeren er på, kan ikke noe program stilles inn.

4. Grilltilberedning

- (1) Trykk «Grill/Combi.» en gang, så vises «G-1».
- (2) Trykk «START/+30s» for å bekrefte.
- (3) Vri knotten for å stille inn tilberedningstiden. Maksimumsverdien for tid er «95:00».
- (4) Trykk «START/+30s» for å starte tilberedning.

Merk: Du hører en lyd for å minne deg om å snu maten som grilles.
Hvis det ikke skjer noe, vil ovnen fortsette.

5. Kombinasjons tilberedning

- (1) Trykk «Grill/Combi.» en gang, så vises «G-1». Trykk «Grill/Combi.» flere ganger for å velge effekt, så vises «C-1» og «C-2» i rekkefølge.
- (2) Trykk «START/+30s» for å bekrefte.
- (3) Vri knotten for å stille inn tilberedningstiden. Maksimumsverdien for tid er «95:00».
- (4) Trykk «START/+30s» for å starte tilberedning.

Merk: Kombinasjonsveiledning

Funksjon	Display	Mikrobølgeeffekt	Grilleffekt
Kombi. 1	C-1	55 %	45 %
Kombi. 2	C-2	36 %	64 %

6. Tine etter vekt

- (1) Trykk «Defrost» én gang, så viser skjermen «dEF1».
- (2) Vri knotten for å stille inn vekten på maten. Vekten kan være mellom 100 og 2000 g.
- (3) Trykk «START/+30s» for å starte tining.

Merk: Du hører en lyd for å minne deg om å snu maten som tines. Hvis det ikke skjer noe, vil ovnen fortsette.

7. Tine etter tid

- (1) Trykk «Defrost» to ganger, så viser skjermen «dEF2».
- (2) Vri knotten for å stille inn opptiningstiden. Tiden kan være mellom 0:05 og 95:00.
- (3) Trykk «START/+30s» for å starte tining.

Merknader:

- (1) Du hører en lyd for å minne deg om å snu maten som tines. Hvis det ikke skjer noe, vil ovnen fortsette.
- (2) Standard effektnivå er P30, og det kan ikke endres.

8. Tilberedning med flere trinn

Merknader:

- (1) I tilberedning med flere trinn kan man stille inn to trinn.
- (2) Hvis man stiller inn opptining, fungerer den automatisk i første trinn.
- (3) Tidtager, Automeny og Hurtigtilberedning kan ikke stilles inn som et av trinnene.
- (4) Du kan trykke «START/+30s» for å øke tilberedningstiden under tilberedning med flere trinn.

Eksempel: Tin maten i 5 minutter og stek deretter med 80 % mikrobølgeeffekt i 7 minutter. Tilberedningstrinnene er som følger:

- (1) Trykk «Defrost» to ganger, så viser skjermen «dEF2».
- (2) Vri knotten for å stille opptiningstiden til 5 minutter.
- (3) Trykk «Microwave» én gang, så vises «P100».
- (4) Vri knotten for å stille effektnivået til P80.
- (5) Trykk «START/+30s».
- (6) Vri knotten for å stille inn tilberedningstiden til 7 minutter.
- (7) Trykk «START/+30s» for å starte tilberedning.

9. Hurtigtilberedning

- (1) Trykk «START/+30s» i ventemodus for å tilberede med 100 % effektnivå i 30 sekunder. Med hvert trykk på samme knapp økes tiden med 30 sekunder opptil 95 minutter.
- (2) I ventemodus dreier du knotten til venstre for å stille inn en tilberedningstid med 100 % effekt. Trykk «START/+30s» for å starte tilberedning.

10. Barnesikring

Du kan bruke denne funksjonen for å forhindre at barn slår på ovnen ved uhell.

Slik aktiveres barnsikringen:

Hold inne «STOP/Cancel» i 3 sekunder i ventemodus. Det høres et langt pip, og låseikonet vises.

Slik deaktiveres barnsikringen:

Hold inne «STOP/Cancel» i tre sekunder når barnsikringen er på. Det høres et pip, og låseikonet forsvinner.

11. Sjekke Klokken osv.

- (1) Hvis klokken er stilt inn, vises klokken i tre sekunder når man trykker «Clock» under tilberedning.
- (2) Under tilberedning med mikrobølger kan du trykke «Microwave» for å se effektnivået. Ved grill- og kombitilberedning kan du trykke «Grill/Combi.» for å sjekke gjeldende tilberedningsmodus.

12. Auto menu (Automeny)

- (1) Trykk «Auto Menu» én gang, så vises «A-1».
- (2) Trykk «Auto Menu» flere ganger eller vri knotten for å velge menyen du trenger. Det er til sammen 8 automatiske menyer tilgjengelig.
- (3) Trykk «START/+30s» for å bekrefte.
- (4) Vri knotten for å stille inn vekten på maten.
- (5) Trykk «START/+30s» for å starte tilberedning.

Automenydiagram

Meny	Vekt/ Volum	Display	Effekt
A-1 Automatisk Oppvarming	200 g	200	P100
	400 g	400	
A-2 Kjøtt	250 g	250	P100
	350 g	350	
	450 g	450	
A-3 Ferske grønnsaker	200 g	200	P100
	300 g	300	
	400 g	400	
A-4 Pasta	50 g (med 450 g kaldt vann)	50	P80
	100 g (med 800 g kaldt vann)	100	
A-5 Potet	1 stk. (ca. 230 g)	1	P100
	2 stk.	2	
	3 stk.	3	
A-6 Fisk	250 g	250	P80
	350 g	350	
	450 g	450	
A-7 Drikkevare	1 porsjon (120 ml)	1	P100
	2 porsjoner (240 ml)	2	
	3 porsjoner (360 ml)	3	
A-8 Popkorn	50 g	50	P100
	100 g	100	

FEILSØKING

Normal	
Mikrobølgeovn forstyrrer TV-mottak	Radio- og TV-mottak kan bli forstyrret når mikrobølgeovnen er i bruk. Det ligner på forstyrrelse fra små elektriske apparater, som mikser, støvsuger og elektrisk vifte. Dette er normalt.
Svakt lys	Ved matlaging med lav mikrobølgeeffekt kan lampen bli svak. Dette er normalt.
Damp samler seg på døren, og varm luft kommer ut fra ventilen	Ved matlaging kan det komme damp ut av maten. Det meste vil komme seg ut av ventilene. Men noe kan samle seg på et kjølig sted, som døren. Dette er normalt.
Mikrobølgeovnen blir startet ved uhell uten mat i.	Enheten skal ikke brukes uten mat i den. Det er veldig farlig.

Problem	Mulig årsak	Løsning
Mikrobølgeovnen kan ikke startes.	(1) Strømledningen er ikke satt i helt.	Koblet til. Koble deretter til igjen etter 10 sekunder.
	(2) Sikringen går, eller effektbryter er aktivert.	Bytt sikringen eller tilbakestill effektbryteren (reparert av profesjonelt personell)
	(3) Problem med stikkkontakten.	Test stikkkontakten med andre elektriske apparater.
Mikrobølgeovn varmer ikke.	(4) Døren er ikke godt lukket.	Lukk døren godt

SPESIFIKASJONER

Modell:	POMW5023GB
Merkespenning:	230V~ 50Hz
Nominell inngangsstrøm (mikrobølge):	1350W
Nominell utgangsstrøm (mikrobølge):	900W
Nominell inngangsstrøm (grill):	1000W
Mikrobølgeovens kapasitet:	23L
Produktets mål:	280mm (H) x 469mm (B) x365mm (D)



I henhold til direktivet om avfall av elektrisk og elektronisk utstyr (WEEE) skal slikt utstyr samles inn og behandles separat. Hvis du på noe tidspunkt i fremtiden må kvitte deg med dette produktet, skal det IKKE kastes sammen med husholdningsavfall. Send dette produktet til et innsamlingssted for elektrisk og elektronisk avfall.

Power International AS,
Postboks Box 523, N-1471 Lørenskog, Norge

Power Norge:
<https://www.power.no/kundeservice/>
T: 21 00 40 00

Power Danmark:
<https://www.power.dk/kundeservice/>
T: 70 33 80 80

Punkt 1 Danmark:
<https://www.punkt1.dk/kundeservice/>
T: 70 70 17 07

Power Finland:
<https://www.power.fi/tuki/asiakaspalvelu/>
T: 0305 0305

Power Sverige:
<https://www.power.se/kundeservice/>
T: 08 517 66 000

TURVALLISUUSVAROITUKSET

Yleinen turvallisuus

- Sammuta laite ja irrota sen virtajohto seinästä ennen välineiden/varusteiden paikalleen kiinnittämistä tai poistamista, kun lopetat laitteen käytön ja ennen laitteen puhdistamista.
- Pidä sormesi etäällä laitteen liikkuvista osista ja lisäosista/-varusteista.
- Älä koskaan käytä vioittunutta laitetta.
- Älä koskaan käytä laitetta sen ollessa tyhjä.
- Pidä laitteen virtajohto lasten ulottumattomissa.
- Pidä laite, laitteen virtajohto ja virtajohdon pistoke poissa vedestä.
- Älä koskaan ylitä ilmoitettuja enimmäiskuormia ja -määriä.
- Lisävarusteita käyttäessäsi tutustu aina ensin niiden mukana toimitettuihin turvaohjeisiin.
- Laite on painava - noudata varovaisuutta nostaessasi laitetta.
- Jos laite putoaa tai vaurioituu, sinun tulee aina toimittaa se asianmukaisen sähköalan koulutuksen saaneen henkilön tarkistettavaksi käyttöturvallisuuden tarkistamista varten.
- 3-8-vuotiaat lapset voivat käynnistää/sammuttaa lämmittimen vain silloin, kun se on normaalissa toiminta asennossa ja, kun he ovat saaneet selkeät ohjeet laitteen turvalliseen käyttöön sekä ymmärtävät laitteen käyttöön liittyvät riskit.
- Älä anna lasten leikkiä laitteella.
- Käytä tätä laitetta ainoastaan sille tarkoitettuun kotitalouskäyttöön.

Mikroaaltouunin huoltaminen

VAROITUS: Vaaratilanteiden välttämiseksi kaikki sellaiset huolto- ja korjaustoimenpiteet, jotka edellyttävät mikroaaltoenergialta suojaavan suojakannen poistamista saa tehdä vain asianmukaisen sähköalan koulutuksen saanut henkilö.

VAROITUS: Mikäli laitteen ovi tai oven tiivisteet ovat vaurioituneet laitetta ei tule käyttää ennen kuin nämä vauriot on korjattu asianmukaisen sähköalan koulutuksen saaneen henkilön toimesta.

- Jos havaitset savua, sammuta laite ja/tai irrota laitteen virtajohto ja pidä laitteen ovi suljettuna mahdollisen tulen tukahduttamiseksi.
- Jos laitteen virtajohto on vaurioitunut, se on vaihdettava uuteen valtuutetussa huoltoliikkeessä tai asianmukaisen sähköalan koulutuksen saaneen henkilön toimesta.
- Jos sinulle on asennettu sydämentahdistin, ota yhteys sinua hoitavaan lääkäriin ennen tämän laitteen käyttöä.

Mikroaaltouunin käyttö

- Tätä laitetta ei ole tarkoitettu kaupalliseen käyttöön.
- Älä koskaan käytä tätä laitetta vaatteiden kuivaamiseen tai mihinkään muuhun ruoanvalmistuksesta poikkeavaan tarkoitukseen.
- Älä poistu mikroaaltouunin luota sen ollessa käytössä.
- Mikroaaltouunin ulkopinnat saattava kuumeta sen ollessa käytössä.
- Estääksesi liiallista kosteutta kertymästä uunin sisään avaa laitteen ovi välittömästi kuumentamisen päätyttyä.
- Käytä ainoastaan sellaisia astioita ja välinteitä, jotka sopivat käytettäväksi mikroaaltouunissa.
- Noudata erityistä varovaisuutta, mikäli asetat mikroaaltouuniin paperisia, muovisia, puisia tai muuta syttyvää materiaalia sisältäviä esineitä, sillä nämä saattavat syttyä palamaan.

- Älä käytä mikroaaltouunia rasvakeittimessä käytettävän rasvan lämmittämiseen.
- Käytä ainoastaan mikroaaltouunikäyttöön soveltuvia kelmuja ja noudata erityistä varovaisuutta poistaessasi kelmut paikaltaan välttääksesi höyryn aiheuttamat palovammat.
- Mikroaaltouuni ei sovellu tavanomaisen popcornin valmistukseen, käytä uunia ainoastaan mikroaaltouunissa valmistettavan popcornin kuumentamiseen.

Ruonan valmistus

- Erialaisten mikroaaltouunien tehoissa voi olla merkittäviä eroja. Kun käytät tätä uunia ensimmäistä kertaa, huomioi, että se saattaa kuumentaa/kypsentää ruokasi odotettua nopeammin.
- Älä poistu mikroaaltouunin luota sen ollessa käytössä.
- Noudata erityistä varovaisuutta, mikäli käytät uunia runsaasti sokeria ja rasvaa sisältävien ruokien valmistukseen (esim. vanukkaat tai kakut). Sokeri tai rasva saattaa ylikuumentua ja joissakin tapauksissa syttyä palamaan.

VAROITUS: Lapset saavat käyttää mikroaaltouunia vain, mikäli heille on annettu laitteen turvalliseen käyttöön tarvittavat ohjeet ja he ymmärtävät virheelliseen käyttöön liittyvät vaarat. ÄLÄ oleta, että lapsi joka osaa käyttää mikroaaltouunia yhteen käyttötarkoitukseen osaa käyttää sitä ilman ohjausta ja valvontaa myös kaikkiin muihin käyttötarkoituksiin.

Mikroaaltouunia EI SAA missään olosuhteissa käyttää leluna.

Tulipalo

Tulipalon sattuessa:

- Pidä mikroaaltouunin ovi suljettuna.
- Kytke laite pois päältä.
- Irrota laitteen virtajohto seinästä.

Ensiapu

Palovammojen hoito:

- Aseta palovamma nopeasti kylmän juoksevan veden alle vähintään 10 minuutin ajaksi.
- Peitä palanut ihoalue kuivalla ja puhtaalla siteellä. Älä käytä voiteita tai rasvoja.

Mikroaaltouunin puhdistaminen

Mikroaaltouuni tulee puhdistaa säännöllisin väliajoin liasta ja sinne pudonneesta ruoasta.

Jos mikroaaltouunia ei puhdisteta säännöllisesti, seurauksena saattaa olla käyttöään lyhentyminen ja/tai vaaratilanne. (ks. Mikroaaltouunin puhdistaminen)

Älä aseta mitään seuraavista mikroaaltouunin sisään

- Mitään metallia sisältäviä esineitä. Tällaisia ovat mm:
 - Metalliset keittiövälineet
 - Metalliset lautaset tai tarjottimet
 - Metalliset koristeet
 - Metallireunaiset astiat
 - Paistolämpömittari
- Älä koskaan aseta mikroaaltouuniin mitään metallia sisältäviä esineitä, pois lukien alumiinifolio. Mikroaaltoenergia ei kykene kulkemaan metallin lävitse, minkä vuoksi se alkaa kimpoilemaan uunin sisäseinistä ja aiheuttaa kipinöitä.
- Jos havaitset kipinöitä, sammuta mikroaaltouuni välittömästi.
- Huomaathan, että joissakin astioissa saattaa olla metalliset reunukset. Myös tällaiset reunukset saattavat synnyttää kipinöitä.

Astiat

VAROITUS: Tiiviisti suljettuihin astioihin syntyy painetta, joka saattaa purkautua äkillisesti.

Tämän välttämiseksi älä aseta mitään seuraavista mikroaaltouuniin:

- tiiviisti suljetut astiat
 - vakuumpakkaukset
 - kovaksikeitetyt munat
 - pähkinät.
 - avaamattomat pullot
 - tiiviisti suljetut purkit
 - kuorelliset munat
- Muista rikkoa kaikkien hedelmien ja vihannesten (esim. peruna) kuori.
 - Älä koskaan aseta naarmuuntuneita, haljenneita tai muutoin vaurioituneita lasiastioita mikroaaltouuniin. Vaurioitunut lasiastia saattaa räjähtää.
 - Jos käytät mikroaaltouunia muovisissa tai paperisissa astioissa olevien ruokien lämmittämiseen, tarkkaile tällaisia astioita syttymisen varalta.

Viivästynyt kiehuminen

Mikroaaltouunissa lämmitetyt nesteet saattavat kiehahtaa vasta silloin, kun niitä ollaan poistamassa uunista.

Noudata seuraavia varotoimia:

- Sekoita kuumennettavia nesteitä sekä ennen kuumennusta että kuumentamisen jälkeen
- Anna kuumennettavan nesteen seistä hetken ennen kuin poistat sen uunista
- Käytä ylöspäin leveneviä astioita.

Vauvanruoan kuumentaminen

Vauvoille ja pienille lapsille tarkoitetun ruoan kuumentamisessa on noudatettava erityistä varovaisuutta.

- Tarkista ruoan tai nesteen lämpötila aina ennen kuin syötät sen vauvalle.
- Jos käytät tuttipulloa, poista tutti pullon suulta ennen sen lämmittämistä
- Jos lämmität maitoa, muista sekoittaa se ravistamalla.



Kuumat pinnat

Laitteen ulkopinnat kuumenevat käytön aikana. Älä koske mikroaaltouunin ulkopintoihin. Älä säilytä mitään esineitä mikroaaltouunin päällä.



Maadoitusohjeet

VAROITUS:

TÄMÄ LAITE ON MAADOITETTAVA.

- Tämä laite on varustettu maadoitetulla virtajohdolla.
- Virtajohtoon pistoke on kytkettävä sellaiseen pistorasiaan, joka on asennettu ja maadoitettu kaikkien paikallisten sääntöjen ja vaatimusten mukaisella tavalla.

Varoitus!

- Laitteen maadoitusjohtimen kytkeminen virheellisellä tavalla saattaa aiheuttaa sähköiskun vaaran.
- Jos et ole varma laitteen maadoituksesta, ota yhteys valtuutettuun huoltoliikkeeseen tai asianmukaisen sähköalan koulutuksen saaneeseen henkilöön.
- Älä koskaan muuta tai korjaa laitteen mukana toimitettua virtajohtoa.
- Jos et saa laitteen mukana toimitettua virtajohtoa sopimaan pistorasiaasi, ota yhteys asianmukaisen sähköalan koulutuksen saaneeseen henkilöön oikeaa mallia olevan pistorasian asentamiseksi.

VAROTOIMENPITEITÄ MAHDOLLISTEN ALTISTUMISTEN EHKÄISEMISEKSI LIIALLISELLE MIKROAALTOUNIN TEHOLLE

- (a) Älä yritä käyttää tätä uunia sen oven ollessa auki, koska se voi aiheuttaa altistumista haitalliselle mikroaaltoteholle.
On tärkeää, ettei turvallisuuslukkoja rikota tai muokata.
Älä sijoita mitään esineitä uunin etupinnan ja oven
- (b) väliin tai anna liian tai puhdistusaineiden jäämien kerääntyä eristepintoihin.

TÄRKEITÄ TURVALLISUUSOHJEEN VAROITUKSIA

Tulipalon, sähköiskun, henkilövamman tai mikroaaltoteholle altistumisen riskin mahdollisuuden vähentämiseksi laitetta käytettäessä noudata varotoimenpiteitä, mukaan lukien seuraavia:

1. Lapset eivät saa puhdistaa tai ylläpitää laitetta elleivät ole yli 8 vuotiaita ja tarkkailtuja.
2. Lue ja seuraa tarkkoja: "VAROTOIMENPITETÄ MAHDOLLISTEN ALTISTUMISTEN EHKÄISEMISEKSI LIIALLISELLE MIKROAALTOTEHOLLE".
3. Älä keitä ruokaa liian kauan.
4. Älä käytä uunin aukkoa varastointitarkoitukseen.
Älä varastoi tavaroita, kuten leipää, keksiä, jne uunissa.
5. Poista metallia sisältävät kierresulkijat tai kahvat paperiastioista ja muoviastioista ja pusseista ennen niiden sijoittamista uuniin.
6. Asenna tai sijoita tämä uuni vain annettujen asennusohjeiden mukaisesti.
7. Tämä laite on tarkoitettu kotitaloudessa ja vastaavassa käyttökohteessa käytettäväksi, kuten:
 - henkilöstökeittiöalueilla kaupoissa, toimistoissa ja muissa työympäristöissä;

- asiakaskäytössä hotelleissa, motelleissa ja muissa asuntotyyppisissä ympäristöissä;
 - farmitaloissa;
 - aamiaismajoituksessa.
8. Älä varastoi tai käytä tätä laitetta ulkona.
 9. Älä käytä tätä uunia veden lähellä, märässä kellarissa tai lähellä uima-allasta.
 10. Älä anna johdon roikkua pöydän tai tiskin reunan yli.
 11. Virvoitusjuomien mikroaaltolämmitys voi aiheuttaa viivästyneen räjähtävän kiehumisen, siksi on noudatettava huolellisuutta säiliötä käsiteltäessä.
 12. Laitetta ei ole tarkoitettu käytettäväksi ulkoisen ajastimen tai erillisen kauko-ohjausjärjestelmän avulla.
 13. Höyrypuhdistinta ei saa käyttää.
 14. Laite kuumenee käytön aikana. On huolehdittava siitä, että vältetään kuumien elementtien koskettamista uunissa.
 15. Käytä ainoastaan tälle uunille soveltuvaa paahtolämpömittaria. (käyttää lämpötilamittaria.)
 16. VAROITUS: Laite ja sen pinnat muuttuvat kuumiksi käytön aikana. On huolehdittava siitä, että vältetään lämmityselementteihin koskettamista. Alle 8 vuotiaat lapset on pidettävä kaukana, ellei heitä valvota jatkuvasti.
 17. Laitteen takaosa tulee sijoittaa seinää kohden.
 18. Mikroaaltouunia ei saa laittaa kaappiin.

LUE HUOLELLISESTI JA SÄILYTÄ MYÖHEMPÄÄ KÄYTTÖÄ VARTEN

VAMMAUTUMISRISKIN VÄHENTÄMISEKSI HENKILÖILLE, JOTKA TEKEVÄT MAADOITUSASENNUKSEN

VAARA

Sähköiskuvaara Joihinkin sisäkomponentteihin koskemin-
en voi aiheuttaa vakavan henkilövamman tai kuoleman.
Älä pura tätä laitetta.

VAROITUS

Sähköiskuvaaran maadoituksen epäsopiva käyttö voi
aiheuttaa sähköiskun. Älä liitä lähtöön, ennenkuin laite on
sopivasti asennettu ja maadoitettu.

Tämä laite on maadoitettava. Oikosulkun tapauksessa
maadoitus vähentää sähköiskun vaaran antamalla pako-
johdon sähkövirralle.

Kysy neuvoa pätevältä sähkömieheltä tai huoltomieheltä,
jos maadoitusohjeita ei ymmärretä täysin tai jos ilmenee
epäilystä siitä onko laite oikein
maadoitettu.

On tarpeen käyttää pidennysjohtoa, käytä ainoastaan
3-johtoista pidennysjohtoa.

1. Lyhyt virransyöttöjohto annetaan riskin vähentämiseksi,
joka johtuu pidempään johtoon sekaantumisesta tai
sen yli kompastumisesta.
2. Jos käytetään pidempää johtosarjaa tai pidennysjohtoa:
 - 1) Johtosarjan merkitty sähköarvioinnin on oltava
ainakin niin suuri, kuin laitteen sähköarviointi.
 - 2) Pidennysjohdon on oltava maadoitustyyppistä
3-johtoa.
 - 3) Pitkä johto on järjestettävä siten, ettei se veny tiskin
tai pöydän yli, missä lapset eivät pysty vetämään
sitä tai kompastumaan tahattomasti sen yli.

PUHDISTAMINEN

Irrota laite varmasti virransyötöstä.

1. Puhdista uuni sisältä käytön jälkeen hieman kosteaa kangasta käyttämällä.
2. Puhdista varusteet tavanomaiseen tapaan saippuvedellä.
3. Oven karmi ja eriste, sekä naapuriosat on puhdistettava varovasti kostealla kankaalla niiden ollessa likaisia.
4. Älä käytä kovia hankaavia puhdistimia tai teräviä metalliraapimia uunin oven puhdistamiseksi, koska ne voivat naarmuttaa pintaa, joka voi aiheuttaa lasin rikkoutumisen.
5. Puhdistusvinkki--- Ruokatahrat voi poistaa uunin sisäosan seinistä helpommin seuraavan vinkin avulla. Laita puolikas sitruuna astiaan ja lisää 300 ml (1/2 tuopillinen) vettä ja lämmitä 100% mikroaaltoteholla 10 minuutin ajan. Pyyhi uuni puhtaaksi pehmeällä kuivalla liinalla. 10 minutes. Wipe the microwave oven clean using a soft, dry cloth.

TARVIKKEET

VAARA

Henkilövammautumisvaara

On vaarallista kaikille, kuin päteväälle henkilölle, joka suorittaa kaikki palvelut tai korjaustoimin- nat, joihin liittyy kannen poisto, joka suojaa mikroaaltotehoa vastaan altistumista.

Katso ohjeita "Materiaalit, joita voit käyttää mikroaaltouunissa tai joita on vältettävä mikoroaaltouunissa." Voi olla joitakin ei-metallisia varusteita, joita ei ole turvallista käyttää mikroaaltouunissa. Jos on epäilystä voit testata kyseenalaisia varusteita, noudata alla olevaa toimenpidettä.

Varustetesti:

1. Täytä mikroaaltoturvallinen säiliö 1 kupilla kylmää vettä (250ml) yhdessä kyseessä olevilla varusteilla.
2. Keitä maksimivirralla 1 minuutin ajan.
3. Kosketa varustetta varovasti. Jos tyhjä varuste on lämmin, älä käytä sitä mikroaaltokeittämiseen.
4. Älä ylitä 1 minuutin keittoaikaa.

Mikroaaltouunissa käytettäviä materiaaleja

Varusteet	Merkinnät
Ruskistusastia	Noudata valmistajan ohjeita. Ruskistusastian alaosan on oltava ainakin 5mm pyöröpöydän yläpuolella. Väärä käyttö voi aiheuttaa pyöröpöydän rikkoutumisen.
Ruokailuastiat	Vain mikroaaltouunin kestävät. Noudata valmistajan ohjeita. Älä käytä haljennutta tai rikkoutunutta astiaa.
Lasipurkit	Poista aina kansi. Käytä ainoastaan ruoan lämmittämiseksi, kunnes valmis. Useimmat lasipurkit eivät kestä kuunnusta ja voivat rikkoutua.
Lasiastiat	Vain lämmön ja mikroaaltouunin kestäville lasiastioille. Varmista, että astioissa ei ole metallireunuksia. Älä käytä haljenneita tai ai rikkoutuneita astioita.
Uunin kokkauspussit	Noudata valmistajan ohjeita. Älä sulje metallilangalla. Tee viiltoja jotta höyryä pääsisi pois.
Paperilautaset ja kupit	Käyttö vain lyhytaikaiseen kokkaukseen/lämmitykseen. Älä jätä uunია huomiotta kokkauksen aikana.
Paperipyyhkeet	Käytä ruoan peittämiseksi uudelleenlämmittämiseksi ja rasvan imeytymiseksi. Sovella valvontaa vain lyhytaikaiselle keittämiselle.
Pergamenttipaperi	Käytä kantana roiskumisen ehkäisemiseksi tai höyrynkääreenä.
Muovi	Vain mikroaaltouunin kestävät. Noudata valmistajan ohjeita. Muoviastioissa oltava "Mikroaaltoturvallisuus" -symboli. Jotkut muoviastiat pehmenevät, kun ruoka sisällä kuumenee. "Kiehumispussit" ja kierästi suljetut muovipussit on halkaistava, puhkaistava tai avattava kuten pakkauksessa ohjataan.
Muovikääre	Vain mikroaaltoturvallisuudeksi. Käytä ruoan peittämiseksi keittämisen aikana. Älä anna muovikäärön koskea ruokaan.
Lämpömittarit	Vain mikroaaltouunin kestävät.
Vahapaperi	Käytä kantana roiskumisen estämiseksi ja kosteuden säilyttämiseksi.

Mikroaaltouunissa vältettävät materiaalit

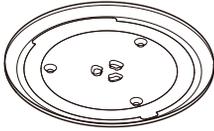
Varusteet	Merkinnät
Alumiinitarjotin	Voi aiheuttaa kipinöintiä. Siirrä ruoka mikroaaltouuniturvalliseen astiaan.
Ruokakartoniki metallikahvalla	Voi aiheuttaa kipinöintiä. Siirrä ruoka mikroaaltouuniturvalliseen astiaan.
Metalli- tai metallilla trimmatut varusteet	Metalli suojaa ruoan mikroaaltoteholta. Metallitrimmaus voi aiheuttaa kipinöintiä.
Metallikiertosisidokset	Voi aiheuttaa kipinöintiä ja voi aiheuttaa tulipalon uunissa.
Paperipussit	Voi aiheuttaa tulipalon uunissa.
Muovivaahto	Muovivaahto voi sulaa tai saastuttaa nesteen sisällä kun altistetaan suurelle lämpötilalle.
Puu	Puu kuivuu mikroaaltouunissa ja voi haljeta tai rikkoutua.

TUOTEKATSAUS

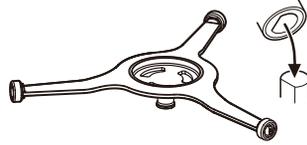
(Jos laitteen ja tämän käyttöohjeen kuvien välillä on eroja, tuote on ensisijainen.)

Poista kaikki pakkausmateriaalit pakkauksesta ja ontelosta.

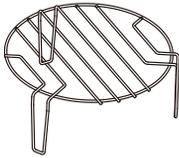
Mikroaaltouunin mukana toimitetaan seuraavat lisävarusteet:



Lasitarjotin



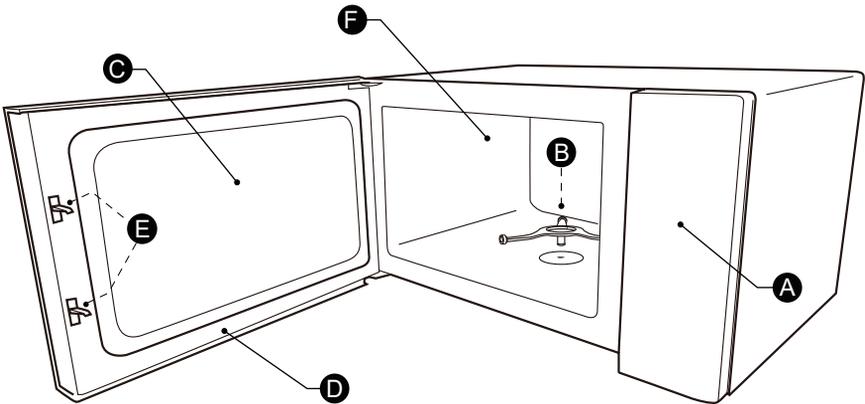
Kääntöpöydän rengas kokoonpano



Grilliritilä (ei voi käyttää mikroaaltotoiminnossa, ja se on asetettava lasialustalle)



Käyttöohjekirja



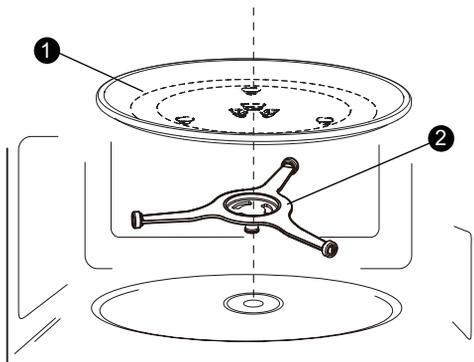
- A) Ohjauspaneeli
- B) Kääntöpöydän rengas kokoonpano
- C) Tarkkailuikkuna

- D) Oven kokoonpano
- E) Turvalukitusjärjestelmä
- F) Mikroaaltouunin ontelo

ENNEN KÄYTTÖÄ

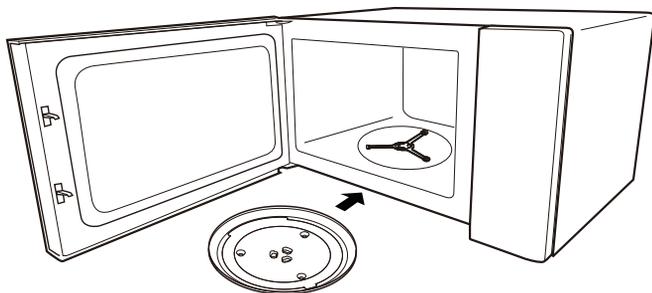
Keittotilan puhdistaminen ja kääntöpöydän asettaminen paikalleen.

Varmista uusissa asennuksissa, että kaikki pakkaukset ja kuljetusteippi on poistettu. Ennen kuin käytät laitetta ruoan valmistukseen ensimmäistä kertaa, sinun on asetettava kääntöpöytä oikein paikalleen ja puhdistettava keittoalue ja lisävarusteet.



1) Lasitarjotin

2) Kääntöpöydän rengaskokoonpano



Huomautuksia:

1. Älä koskaan käytä laitetta ilman levysoitinta. Varmista, että se on kunnolla kiinni. Kääntöpöytä voi kääntyä myötä- tai vastapäivään.
2. Älä koskaan aseta lasialustaa ylösalaisin. Lasialustaa ei saa koskaan rajoittaa.
3. Sekä lasialustaa että pyörimisalustan rengaskokoonpanoa on aina käytettävä kypsennyksen aikana.
4. Kaikki elintarvikkeet ja ruoka-astiat asetetaan aina lasialustalle ruoanvalmistusta varten.
5. Älä koskaan rajoita levysoittimen liikumista.
6. Jos lasialusta tai kääntölevyn rengaskokoonpano murtuu tai rikkoutuu, ota yhteys lähimpään valtuutettuun huoltoliikkeeseen.

ASENNUS

Työtason asennus

Poista kaikki pakkausmateriaali ja tarvikkeet.

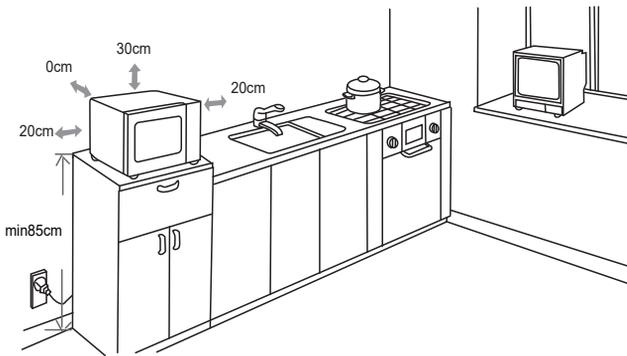
Tutki uuni mahdollisten vaurioiden, kuten kolhujen tai rikkiinäisen luukun, varalta. Älä asenna, jos uuni on vaurioitunut.

Kaappi: Poista mikroaaltouunin kaapin pinnalla mahdollisesti oleva suojakalvo.

Älä poista aaltojohtimen suojusta, joka on kiinnitetty uunin onteloon magnetronin suojaamiseksi.

ASENNUS

1. Valitse tasainen pinta, jossa on riittävästi vapaata tilaa imu- ja/tai poistoaukoille.



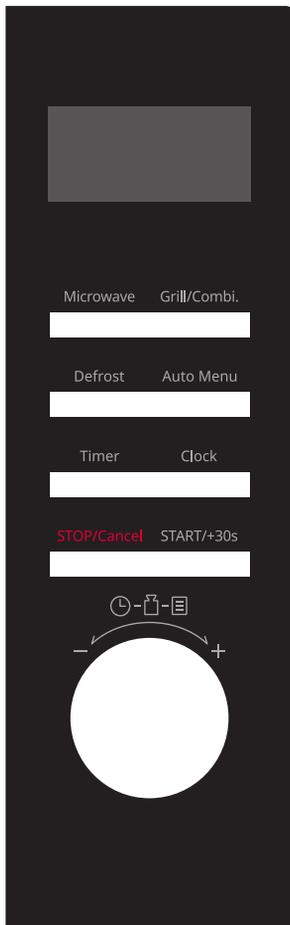
- (1) Pienin asennuskorkeus on 85 cm.
 - (2) Laitteen takapinta on sijoitettava seinää vasten. Jätä uunin yläpuolelle vähintään 30 cm vapaata tilaa, ja uunin ja viereisten seinien väliin on jätettävä vähintään 20 cm vapaata tilaa.
 - (3) Älä irrota jalkoja uunin pohjasta.
 - (4) Tulo- ja/tai poistoaukkojen tukkiminen voi vahingoittaa uunia.
 - (5) Sijoita uuni mahdollisimman kauas radioista ja televisiosta. Mikroaaltouunin käyttö voi aiheuttaa häiriöitä radio- tai TV-vastaanottoon.
2. Kytke uuni tavalliseen kotitalouspistorasiaan. Varmista, että jännite ja taajuus ovat samat kuin arvokilvessä oleva jännite ja taajuus.

VAROITUS: Älä asenna uunia liedien tai muun lämpöä tuottavan laitteen päälle. Jos uuni asennetaan lämmönlähteen lähelle tai sen päälle, se voi vaurioitua ja takuu raukeaa.



Käyttökelpoinen pinta voi olla kuuma käytön aikana.

OHJAUSPANEELI



Näyttö:

Näytössä näkyvät aika, teho ja ilmaisimet

Microwave (Mikroaaltouuni):

Mikroaaltotoiminto ja tehotason asetus

Grilli/Combi (Kombi):

Grillitoiminto tai grilli- ja mikroaaltouunin yhdistelmä

Defrost (Sulatus):

Sulatus ajan tai painon mukaan

Auto Menu (Automaattinen valikko):

Automaattiset valikko vaihtoehdot

Timer (Ajastin):

Ajastimen asetus

Clock (Kello):

Kellon asetus

STOP/Cancel (Peruutus):

Pysäytä tai peruuta ohjelma

START/+30s (+30sek.):

Käynnistä ohjelma tai pikakypsennys täydellä teholla valmiustilassa.

Muiden näppäinten lisäksi, kun säädät tehotasoa, kypsennysaikaa, sulatusaikaa tai painoa jne.

KÄYTTÖ

1. Kellon asettaminen

- (1) Paina "Clock" kerran, jolloin näyttöön tulee "00:00".
- (2) Aseta tunti kääntämällä nuppia, sen pitäisi olla välillä 0-23.
- (3) Vahvasta painamalla "Clock".
- (4) Aseta minuutti kääntämällä nuppia, sen pitäisi olla välillä 0-59.
- (5) Vahvasta painamalla "Clock". Kello on asetettu.

Huomautuksia:

- (1) Vaiheen 4 jälkeen, jos "Clock"-painiketta ei paineta tai jos asetusta ei käytetä 5 minuutin kuluessa, asetus on mitätön.
- (2) Kellossa on 24 tunnin näyttö.
- (3) Jos haluat nollata kellon, toista vaiheet 1 - 5.
- (4) Jos kelloa ei ole asetettu, se ei toimi, kun siihen kytketään virta.

2. Mikroaaltouunissa ruoanlaitto

käytettävissä on 10 tehotasoa.

Taso	10	9	8	7	6	5	4	3	2	1
Virta	100%	90%	80%	70%	60%	50%	40%	30%	20%	10%
Näyttö	P100	P 90	P 80	P 70	P 60	P 50	P 40	P 30	P 20	P 10

- (1) Paina "Microwave" ja näyttöön tulee "P100".
- (2) Paina toistuvasti "Microwave" tai käännä nuppia tehotason asettamiseksi.
- (3) Vahvasta painamalla "START/+30s".
- (4) Säädä kypsennysaika kääntämällä nuppia. Enimmäisaika on "95:00".
- (5) Paina "START/+30s" aloittaaksesi kypsennyksen.

3. Keittiön ajastimen asettaminen

- (1) Paina "Timer" kerran, jolloin näyttöön tulee "00:00".
- (2) Aseta haluamasi aika kääntämällä nuppia. Enimmäisaika on "95:00".
- (3) Vahvasta painamalla "START/+30s". Ajastin alkaa laskea alaspäin.

Huomautuksia:

- (1) Keittiön ajastin on ajastin.
- (2) Keittiöajastimen aikana ei voi asettaa ohjelmia.

4. Grilli ruoanlaitto

- (1) Paina kerran "Grill/Combi." ja näyttöön tulee "G-1".
- (2) Vahvasta painamalla "START/+30s".
- (3) Aseta kypsennysaika kääntämällä nuppia. Enimmäisaika on "95:00".
- (4) Paina "START/+30s" aloittaaksesi kypsennyksen.

Huomautus: Äänimerkki muistuttaa sinua ruoan kääntämisestä grillauksen aikana. Jos mitään ei tapahdu, uuni jatkaa toimintaansa.

5. Yhdistelmäruokailu

- (1) Paina kerran "Grill/Combi." ja näyttöön tulee "G-1". Paina "Grill/Combi." Valitse haluamasi teho toistuvasti, jolloin näyttöön tulevat järjestyksessä "C-1", "C-2".
- (2) Vahvista painamalla "START/+30s".
- (3) Aseta kypsennysaika kääntämällä nuppia. Enimmäisaika on "95:00".
- (4) Paina "START/+30s" aloittaaksesi kypsennyksen.

Huomautus: Yhdistelmäohjeet

Toiminto	Näyttö	Mikroaaltoteho	Grillin teho
Combi. 1	C-1	55 %	45 %
Combi. 2	C-2	36 %	64 %

6. Sulatus painon mukaan

- (1) Paina kerran "Defrost", jolloin näyttöön tulee "dEF1".
- (2) Aseta ruoan paino kääntämällä nuppia. Painoalue on 100-2000 g.
- (3) Aloita sulatus painamalla "START/+30s".

Huomautus: Äänimerkki muistuttaa sinua kääntämään ruokaa sulatuksen aikana. Jos mitään ei tapahdu, uuni jatkaa toimintaansa.

7. Sulatus ajan mukaan

- (1) Paina "Defrost" kahdesti, jolloin näytölle ilmestyy "dEF2".
- (2) Aseta haluamasi sulatusaika kääntämällä nuppia. Ajan vaihteluväli on 0:05-95:00.
- (3) Aloita sulatus painamalla "START/+30s".

Huomautuksia:

- (1) Äänimerkki muistuttaa sinua kääntämään ruokaa sulatuksen aikana. Jos mitään ei tapahdu, uuni jatkaa toimintaansa.
- (2) Oletusteho on P30, eikä sitä voi muuttaa.

8. Monivaiheinen ruoanlaitto

Huomautuksia:

- (1) Monivaiheiseen kypsennykseen voidaan asettaa kaksi kypsennysvaihetta.
- (2) Jos asetat sulatustoiminnon, se toimii automaattisesti ensimmäisessä vaiheessa.
- (3) Keittiöajastinta, automaattista valikkoa, nopeaa kypsennystä ei voi asettaa monivaiheiseksi.
- (4) Voit lisätä kypsennysaikaa monivaiheisen kypsennyksen aikana painamalla "START/+30s".

Esimerkki: Sulata ruokaa 5 minuuttia ja kypsennä sitten 80 %:n mikroaaltoteholla 7 minuuttia:

- (1) Paina "Defrost" kahdesti, jolloin näytölle ilmestyy "dEF2".
- (2) Aseta haluamasi sulatusaika 5 minuutiksi kääntämällä nuppia.
- (3) Paina "Microwave" ja näyttöön tulee "P100".
- (4) Käännä säädintä asettaaksesi P80:n tehotason.
- (5) Paina "START/+30s".
- (6) Aseta kypsennysaika 7 minuutiksi kääntämällä nuppia.
- (7) Paina "START/+30s" aloittaaksesi kypsennyksen.

9. Nopea ruoanlaitto

- (1) Paina valmiustilassa painiketta "START/+30s" kypsennettäksesi ruokaa 100 % teholla 30 sekunnin ajan. Jokainen saman näppäimen painallus voi lisätä aikaa 30 sekuntia, ja enimmäisaika on 95 minuuttia.
- (2) Käännä valmiustilassa nuppia vasemmalle asettaaksesi kypsennysajan 100 %:n teholla. Paina sitten "START/+30s" aloittaaksesi kypsennyksen.

10. Lukitustoiminto lapsille

Voit käyttää tätä toimintoa estämään lapsia käynnistämästä uunia vahingossa.

Lukituksen aktivoiminen:

Paina valmiustilassa "STOP/Cancel" ja pidä sitä painettuna kolmen sekunnin ajan. Pitkä äänimerkki kuuluu ja lukittu-kuvake tulee näkyviin.

Lukituksen poistaminen käytöstä:

Kun lukittu tila on lukittu, paina ja pidä painettuna "STOP/Cancel" kolmen sekunnin ajan, äänimerkki muistuttaa lukituksen poistamisesta, eikä lukituskuvake tule näkyviin.

11. Tiedustelutoiminto

- (1) Jos kello on asetettu, nykyinen kellonaika näkyy kolmen sekunnin ajan painamalla "Clock" keittotilassa.
- (2) Paina mikroaaltouunin kypsennyksen aikana "Microwave" tiedustellaksesi tehotasoa. Paina grilli- ja yhdistelmäkypsennyksessä "Grill/Combi." kysyäksesi nykyistä kypsennystilaa.

12. Automaattinen valikko

- (1) Paina kerran "Auto Menu" ja näyttöön tulee "A-1".
- (2) Paina "Auto Menu" toistuvasti tai käännä säädintä valitaksesi haluamasi valikon. käytettävissä on yhteensä 8 automaattista valikkoa.
- (3) Vahvista painamalla "START/+30s".
- (4) Aseta ruoan paino kääntämällä nuppia.
- (5) Paina "START/+30s" aloittaaksesi kypsennyksen.

Automaattinen valikkokaavio

Valikko	Paino / Tilavuus	Näyttö	Virta
A-1 Automaattinen uudelleen lämmitys	200 g	200	P100
	400 g	400	
A-2 Liha	250 g	250	P100
	350 g	350	
	450 g	450	
A-3 Tuore vihannes	200 g	200	P100
	300 g	300	
	400 g	400	
A-4 Pasta	50g (450 g kylmää vettä)	50	P80
	100g (800 g kylmää vettä)	100	
A-5 Peruna	1kpl (noin 230g)	1	P100
	2kpl	2	
	3kpl	3	
A-6 Kala	250 g	250	P80
	350 g	350	
	450 g	450	
A-7 Juomat	1 annos (120ml)	1	P100
	2 annosta (240ml)	2	
	3 annosta (360ml)	3	
A-8 Popcorn	50 g	50	P100
	100 g	100	

VIANMÄÄRITYS

Normaali	
Mikroaaltouuni häiritsee TV-vastaanottoa	Radio- ja TV-vastaanotto voi häiriintyä mikroaaltouunin käytön aikana. Se on samanlainen kuin pienten sähkölaitteiden, kuten sekoittimen, pölynimurin ja sähkötuulettimen, häiriöt. Kyseinen on normaalia.
Hämärä valo	Pienitehoisessa mikroaaltouunissa valo voi himmentyä. Kyseinen on normaalia.
Oveen kertyvä höyry, kuuma ilma tulee ulos tuuletusaukosta	Ruoanvalmistuksessa ruoasta voi tulla höyryä. Useimmat pääsevät ulos tuuletusaukoista. Osa saattaa kuitenkin kerääntyä viileään paikkaan, kuten oveen. Kyseinen on normaalia.
Mikroaaltouuni käynnistyy vahingossa ilman ruokaa.	Laitetta ei saa käyttää, jos sen sisällä ei ole ruokaa. Se on hyvin vaarallista.

Ongelmia	Mahdollinen syy	Korjaus
Mikroaaltouunia ei voi käynnistää.	(1) Virtajohtoa ei ole kytketty tiukasti.	Irrota pistoke. Kytke sitten pistoke uudelleen 10 sekunnin kuluttua.
	(2) Sulake räjähtää tai katkaisija toimii.	Vaihda sulake tai nollaa katkaisija (ammattitaitoinen henkilökunta korjaa)
	(3) Ongelmia pistorasian kanssa.	Testaa pistorasia muiden sähkölaitteiden kanssa.
Mikroaaltouuni ei lämmitä.	(4) Ovi ei sulkeudu kunnolla.	Sulje ovi hyvin.

TEKNISET TIEDOT

Malli:	POMW5023GB
Nimellisjännite:	230 V~ 50Hz
Nimellisteho (mikroaalto):	1350W
Nimellisteho (mikroaalto):	900W
Nimellisteho (grilli):	1000W
Mikroaaltouunin kapasiteetti:	23L
Tuotteen mitat:	280mm (K) x 469mm (L) x 365mm (S)



Sähkö- ja elektroniikkalaiteromua koskevan direktiivin mukaan sähkö- ja elektroniikkalaiteromu on kerättävä ja käsiteltävä erikseen. Jos sinun on joskus tulevaisuudessa hävitettävä tämä tuote, älä hävitä sitä kotitalousjätteen mukana. Lähetä tämä tuote sähkö- ja elektroniikkalaiteromun keräyspisteisiin, jos niitä on saatavilla.

Power International AS,
PO Box 523, N-1471 Lørenskog, Norway

Power Norjassa:
<https://www.power.no/kundeservice/>
P: 21 00 40 00

Power Tanskassa:
<https://www.power.dk/kundeservice/>
P: 70 33 80 80

Punkt 1 Tanskassa:
<https://www.punkt1.dk/kundeservice/>
P: 70 70 17 07

Power Suomessa:
<https://www.power.fi/tuki/asiakaspalvelu/>
P: 0305 0305

Power Ruotsissa:
<https://www.power.se/kundservice/>
P: 08 517 66 000

ADVARSLER ANGÅENDE SIKKERHED

Almindelig sikkerhed

- Slå fra og tag ud af stikket, inden du tilpasser eller fjerner værktøj/vedhæng efter brug og inden rengøring.
- Hold dine fingre borte fra dele, der bevæger sig, og tilpassede vedhæng.
- Anvend aldrig et beskadiget apparat.
- Anvend aldrig apparatet, når det er tomt.
- Hold hovedledningen uden for børns rækkevidde.
- Hold enheden, hovedstrømledningen og stikket borte fra vand.
- Overskrid aldrig de maksimale kapaciteter.
- Læs medfølgende sikkerhedsinstruktioner, når et vedhæng anvendes.
- Vær forsigtig, når apparatet løftes, da det er tungt.
- Du bør altid få dit apparat kontrolleret af en faguddannet tekniker, dersom det er blevet tabt eller beskadiget for at sikre, at det er sikkert at anvende.
- Børn i alderen fra 3 år og mindre end 8 år, må kun tænde / slukke for apparatet, forudsat at det er blevet placeret eller installeret i dens tilsigtede normale position, og de er opsyn, eller har modtaget instruktion om brugen af apparatet på en sikker måde og forstå farerne.
- Børn bør være under opsyn for at sikre, at de ikke leger med apparatet.
- Anvend kun apparatet til den brug i hjemmet, som det er beregnet til.

Vedligeholdelse af din mikrobølgeovn

ADVARSEL: Det er farligt for enhver anden end en faguddannet tekniker at udføre service eller reparation, som omfatter fjernelsen af et dække, som giver beskyttelse mod udsættelse for mikrobølgeenergi.

ADVARSEL: Hvis døren eller dørforseglingerne er beskadiget, må mikrobølgeovnen ikke anvendes, inden den er blevet repareret af en kvalificeret tekniker.

- Hvis der observeres røg, så sluk mikrobølgeovnen, eller tag den ud af stikket, og hold lågen lukket for at kvæle mulige flammer.
- Hvis hovedledningen er beskadiget, skal den udskiftes af en serviceperson eller en faguddannet tekniker.
- Tag kontakt med din læge inden brug af en mikrobølgeovn, hvis du har en pacemaker.

Brugen af mikrobølgeovnen

- Denne mikrobølgeovn er ikke beregnet til kommerciel brug.
- Den bør aldrig anvendes til at tørre tøj i eller til andre ikke mad-relaterede formål.
- Mikrobølgeovnen bør ikke efterlades uden opsyn, når den er i brug.
- Tilgængelige overfladers temperatur kan være høj, når mikrobølgeovnen er i brug.
- Åbn straks lågen efter, at madlavningsfunktionen er standset for at tillade damp at undslippe for at forhindre, at der samler sig et højt fugtighedsindhold inden i mikrobølgerummet.
- Der skal udvises forsigtighed, når der anvendes papir, plastic, træmaterialer eller andre brændbare materialer i mikrobølgeovnen, da de kan antændes.
- Olje & fedt til friturestegning bør ikke opvarmes i mikrobølgeovnen.

- Anvend kun indpakningsfilm beregnet til mikrobølgebrug, og vær ekstra omhyggelig under fjernelsen af filmen for at undgå dampforbrændinger.
- Opvarm kun popcorn, der er beregnet til mikrobølgebrug.

Brug til madlavning

- Da forskellige mikrobølgeovnes strøm kan variere betydeligt, skal der udvises forsigtighed, når man først anvender en mikrobølgeovn, da den eventuelt kan have maden færdig hurtigere end forventet.
- Lad ikke mikrobølgeovnen være uden opsyn under brug. Vær omhyggelig under madlavning med højt sukkerindhold, såsom julebudding eller frugtkage. Sukkeret eller fedtet kan overopvarmes og i nogle tilfælde gå i brand.

ADVARSEL: Tillad kun børn at bruge mikrobølgeovnen uden opsyn, når der er givet tilstrækkelig instruktion, så barnet er i stand til at bruge mikrobølgeovnen på sikker vis og forstår faremomenterne ved forkert brug. FORUDSÆT IKKE, at fordi barnet har mestret en madlavningsfærdighed, kan han/hun tilberede alt uden nøje overvågen. Mikrobølgeovnen MÅ IKKE behandles eller anvendes som et legetøj.

Brand!

Ved brand:

- Hold lågen til mikrobølgeovnen lukket.
- Sluk for strømmen.
- Afbryd forbindelsen til mikrobølgeovnen fra strømmen i hovedledningen.

Førstehjælp

Behandl skoldning ved:

- Hurtigt at placere skoldningen under koldt, rindende vand i mindst 10 minutter.
- Dæk med en ren, tør forbindelse. Anvend ikke crème, olje eller lotion.

Rengøring af din mikrobølgeovn

Mikrobølgeovnen bør rengøres med jævne mellemrum, og madrester bør fjernes. Svigter man m.h.t. vedligeholdelse af mikrobølgeovnen, så den er i ren tilstand, kan det påvirke mikrobølgeovnens levetid og muligvis resultere i en farlig situation. (Se: rengøring af din mikrobølgeovn)

Brug ikke disse i din mikrobølgeovn

- Metalgenstande skal ikke anvendes i mikrobølgeovnen. Disse omfatter:
 - Metalredskaber til madlavning
 - Metaltallerkener eller -bakker
 - Lukkeanordninger af metal til vinflasker
 - Keramik med metaludsmykninger
 - Termometer til kød
- Brug aldrig udstyr af metal, med undtagelse af aluminiumsfolie i din mikrobølgeovn. Mikrobølgeenergien kan ikke passere gennem metallet, så den stødes bort og slår gnister mod indersiden af mikrobølgeovnen.
- Stands straks mikrobølgeovnen, hvis noget af udstyret forårsager gnister.
- Husk, at der findes keramik med metaludsmykning langs kanten. Selv denne udsmykning kan forårsage gnister.

Beholdere

ADVARSEL: Der opbygges tryk i forseglede beholdere, og dette kan forårsage, at de eksploderer. Anvend derfor ikke følgende i din mikrobølgeovn:

- Forseglede beholdere
 - Lukkede flasker
 - Vakuumbeholdere
 - Forseglede glas
 - Hårdkogte æg
 - Æg i skaller
 - Nødder
- Skræl frugt og grøntsager som kartofler.
 - Brug aldrig ridset, knækket eller beskadiget glas i en mikrobølgeovn. Beskadiget glas kan eksplodere.
 - Hold øje med mikrobølgeovnen p.g.a. muligheden for antændelse, når der opvarmes mad i beholdere af plastic eller papir.

Forsinket kogning

Væsker, der opvarmes i en mikrobølgeovn, kan koge op, når man fjerner dem fra mikrobølgeovnen.

Tag følgende forholdsregler:

- Rør altid om i væsker inden og efter madlavningen.
- Tillad dem at stå.
- Anvend beholdere, der er bredere foroven end ved bunden.

Tilberedning af mad til babyer

Der skal udvises ekstra forsigtighed, når der tilberedes mad eller drikke til babyer og små børn.

- Undersøg altid temperaturen på mad eller væske, inden de gives til babyen.
- Sørg for at sutten er fjernet inden opvarmning, når der bruges en sutteflaske.
- Sørg for at ryste flasken, når der opvarmes mælk.



Varm overflade

Under madlavning vil den ydre overflade blive varm. Rør ikke ved den ydre overflade på mikrobølgeovnen. Vær omhyggelig med ikke at opbevare nogen som helst artikler oven på mikrobølgeovnen.



Instruktioner angående jordforbindelse

ADVARSEL: DETTE APPARAT SKAL JORDFORBINDES.

- Dette apparat er udstyret med en hovedledning, der har et jordforbundet stik.
- Stikket skal sættes i en korrekt hovedledningsstikkontakt, som er installeret og jordforbundet i overensstemmelse med alle lokale standarder og krav.

Advarsel

- Forkert forbindelse af apparatets jordforbindelsesleder kan resultere i risiko for elektrisk stød.
- Kontroller hos en faguddannet elektriker eller serviceperson, hvis du er i tvivl, om apparatet er jordforbundet korrekt.
- Ændr aldrig stikket, der leveres med apparatet.
- Hvis stikket ikke passer korrekt i hovedledningens stikkontakt, så få en faguddannet elektriker til at installere en korrekt hovedledningsstikkontakt.

FORHOLDSREGLER FOR AT UNDGÅ MULIG UDSÆTTELSE FOR OVERDREVEN MIKROBØLGEENERGI

- (a) Brug ikke denne ovn med døren åben, da dette kan resultere i skadelig udsættelse for mikrobølge-energi. Det er vigtigt ikke at ødelægge eller manipulere med sikkerhedsaflysningerne.
- (b) Placér ikke objektet mellem ovnens forside og døren, og tillad ikke snavs eller rester af rengøringsmidler at akkumulere på tætningsflader.

VIGTIG SIKKERHEDSINSTRUKTIONS-ADVARSEL

Følg grundlæggende forholdsregler for at reducere risikoen for brand, elektrisk stød, skade på person eller udsættelse for overdreven mikrobølgeovns-energi, inkl. følgende:

1. Rengøring og brugers vedligeholdelse må ikke udføres af børn, medmindre de er ældre end 8 og under opsyn. Læs og følg den specifikke: "FORHOLDSREGLER FOR
2. AT UNDGÅ MULIG UDSÆTTELSE FOR OVERDREVEN MIKROBØLGE-ENERGI".
Tilbered ikke maden for meget.
3. Brug ikke hullet til ovnen til opbevaringsformål.
4. Opbevar ikke sager som brød, småkager, m.v. inden i ovne.
Fjern wire twist bånd og metalhåndtag fra plastic- eller
5. papirsbeholdere/poser, inden de placeres i ovnen.
Installér eller lokalisér kun denne ovn i overensstemmelse med installationsinstruktionerne,
6. der følger med.
Den tilsigtede brug af udstyret er i husholdninger og lignende anvendelser som:
7. - ansattes køkkenområde i butikker, kontorer og andre arbejdsomgivelser,

- af kunder i hoteller, moteller og andre typer boligområder,
 - landbrug,
 - bed and breakfast-omgivelser.
8. Opbevar eller brug ikke dette udstyr udendørs.
 9. Brug ikke denne ovn tæt ved vand, i en våd kælder eller tæt ved en swimmingpool.
 10. Lad ikke ledningen hænge over kanten af bordet eller disken.
 11. Mikrobølge-opvarmning af drikkevarer kan resultere i opsat udbrydende kogning, og derfor skal der udvises omhyggelighed, når beholderen håndteres.
 12. Apparaterne er ikke tænkt til at blive brugt ved hjælp af et eksternt ur eller et separat fjernkontrol-system.
 13. Damprengøring bør ikke finde sted.
 14. Under brug bliver apparatet meget varmt. Vær omhyggelig med ikke at berøre varmeelementer inden i ovnen.
 15. Anvend kun temperatursonden, der er anbefalet til denne ovn. (for ovne udstyret med en mulighed for at bruge en temperaturfølede sonde.)
 16. ADVARSEL: Apparatet og dets tilgængelige dele bliver varme under brug. Der skal udvises omhyggelighed for at undgå at varmeelementer berøres. Børn på under 8 år skal holdes borte, medmindre de er under fast overvågning.
 17. Bagsideoverfladen af et apparat skal placeres op mod en mur.
 18. Mikrobølgeovnen må ikke places i et skab.

**LAES OMHYGGELIGT OG OPBEVAR TIL
OPSLAG I FREMTIDEN**

FOR AT REDUCERE RISIKOEN FOR SKADE PÅ PERSONER, DER JORDFORBINDER INSTALLATIONEN

FARE

Fare for elektrisk stød ved berøring af nogle af de interne komponenter kan forårsage alvorlig skade på person eller død.

ADVARSEL

Forkert brug af jordforbindelse m.h.t. elektrisk stød kan føre til elektrisk stød. Sæt ikke i en kontakt, inden apparatet er korrekt installeret og jordforbundet.

Apparatet skal være jordforbundet. Ved tilfælde af et elektrisk støds kredsløb reducerer jordforbindelsen risikoen for elektrisk stød ved forsyningen med en udvejsledning for den elektriske strøm.

Konsultér en kvalificeret elektriker eller serviceperson, hvis jordforbindelsesinstruktionerne ikke er helt forstået, eller hvis der eksisterer tvivl m.h.t. om, udstyret er korrekt jordforbundet.

Det er nødvendigt at anvende en forlængerledning, brug kun en forlængerledning med 3-wire ledning.

1. Der leveres med en kort strømforsyningsledning for at reducere risiciene, der resulterer af at blive indviklet i eller at falde over en længere ledning.
2. Hvis et sæt med lang ledning eller forlængerledning anvendes:
 - (1) Den markerede elektriske vurdering på ledningssættet eller forlængerledningen bør være mindst så stor som apparatets elektriske vurdering.
 - (2) Forlængerledningen skal være til jordforbindelse med 3-wire ledning.
 - (3) Den lange ledning bør arrangeres sådan, at den ikke vil dække over diskens top eller bordets overflade, hvor den kan trækkes i af børn eller faldes over ved et uheld.

RENGØRING

Sikr dig, at du tager apparatet ud af stikket til strømforsyningen.

1. Rengør hullet til ovnen efter brug med let fugtig klud.
2. Rengør tilbehøret på den sædvanlige måde med sæbevand.
3. Dørrammen og tætningen og dele i området skal rengøres omhyggeligt med en fugtig klud, når de er snavsede.
4. Anvend ikke strærkt ætsende rensmidler eller skarpe metalskrabere til at rengøre ovndørens glas, da det kan give overfladen skrammer, hvilket kan føre til, at glasset går itu.
5. Rengøringsstip – For lettere rengøring af vægge i hullet, som tilberedt mad kan berøre: Placér en halv citron i en skål, tilføj 300ml (1/2 pint), og opvarm ved 100% mikrobølgestrøm i 10 minutter. Tør ovnen af ved brug af en blød, tør klud.

REDSKABER

OBS

Fare for skade på person

Det er farligt for alle andre end en kompetent person at udføre service eller reparationer, der indebærer fjernelsen af et lag, som giver beskyttelse mod udsættelse for mikrobølge-energi.

Se instruktionerne om "Materialer, som man kan anvende i en mikrobølgeovn, eller som skal undgås i en mikrobølgeovn." Der kan være visse ikke-metalliske redskaber, der ikke er sikre til brug ved anvendelse af mikrobølgeovne. Dersom der er tvivl, kan man teste det pågældende redskab efter proceduren nedenfor.

Redskabstest:

1. Fyld en mikrobølgesikker beholder med 1 kop koldt vand (250ml) sammen med pågældende redskab.
2. Kog ved maks. strøm i et minut.
3. Føl forsigtigt på redskabet. Hvis det tomme redskab er varmt, så anvend det ikke til madlavning med mikrobølgeovn.
4. Overskrid ikke 1 minuts kogetid.

Materialer, man kan anvende i mikrobølgeovne

Redskaber	Bemærkninger
Bruningsfad	Følg producentens instruktioner. Bunden af bruningsfadet skal være mindst 3/16 tomme (5mm) over drejebordet. Forkert brug kan forårsage, at drejebordet går itu.
Tallerkner	Kun mikrobølgesikre. Følg producentens instruktioner. Anvend ikke tallerkner, der er itu eller skårede.
Glas	Fjern altid låg. Brug kun til at opvarme mad, indtil den lige er varm. De fleste glas er ikke modstandsdygtige over for varme og kan gå itu.
Glasvarer	Kun glasvarer til ovn, som er modstandsdygtige over for varme. Anvend ikke tallerkner, der er itu eller skårede.
Poser til bagning i ovn	Følg producentens instruktioner. Luk ikke med metalbånd. Lav flænger for tillade dampen at slippe ud.
Papirtallerkner og -kopper	Brug kun til korttidsmadlavning/opvarmning. Efterlad ikke ovnen uden opsyn under madlavning.
Køkkenrulle	Brug til at dække mad med til genopvarmning og absorbering af fedt. Brug kun med overvågning til korttidsmadlavning.
Pergamentpapir	Brug som låg for at undgå splatning eller som wrap til dampning.
Plastic	Kun mikrobølgesikker. Følg producentens instruktioner. Bør have etiketten "Mikrobølgesikker". Nogle plasticbeholdere bliver bløde, da maden inde i bliver varm. "Kogeposer" og stramt lukkede plasticposer bør flænges, stikkes igennem eller luftes som pakken anviser.
Plastic wrap	Kun mikrobølgesikre. Brug til at dække med under madlavning for at tilbageholde fugtighed. Lad ikke plastic wrap berøre mad.
Termometre	Kun mikrobølgesikre (kød- og slik-termometre).
Vokspapir	Brug til at dække med for at forhindre splatning og tilbageholde fugtighed.

Materialer, som skal undgås i forbindelse med mikrobølgeovne

Redskaber	Bemærkninger
Aluminiumsbakke	Kan forårsage bøjning. Overfør maden til mikrobølgesikker tallerken.
Madkarton med metalhåndtag	Kan forårsage bøjning. Overfør maden til mikrobølgesikker tallerken.
Metal or metaltrimmed utensils	Metal beskytter maden mod mikrobølge-energi. Metalkant kan forårsage bøjning.
Twist ties af metal	Kan forårsage bøjning og kunne forårsage brand i ovnen.
Papirposer	Kan forårsage brand i ovnen.
Plastic foam	Plastic skum kan smelte eller forurene væsken inden i, når det udsættes for høj temperatur.
Træ	Træ vil tørre ud, når det anvendes i mikrobølgeovnen og kan revne eller knække.

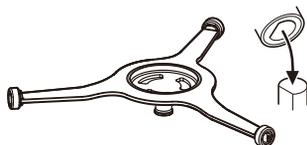
PRODUKTOVERSIGT

(I tilfælde af forskelle mellem apparatet og billederne i denne vejledning, er det produktet, der gælder).

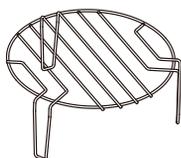
Fjern alt emballagematerialet fra kartonen og ovnrummet.
Din mikrobølgeovn leveres med følgende tilbehør:



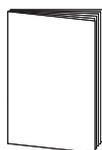
Glasplade



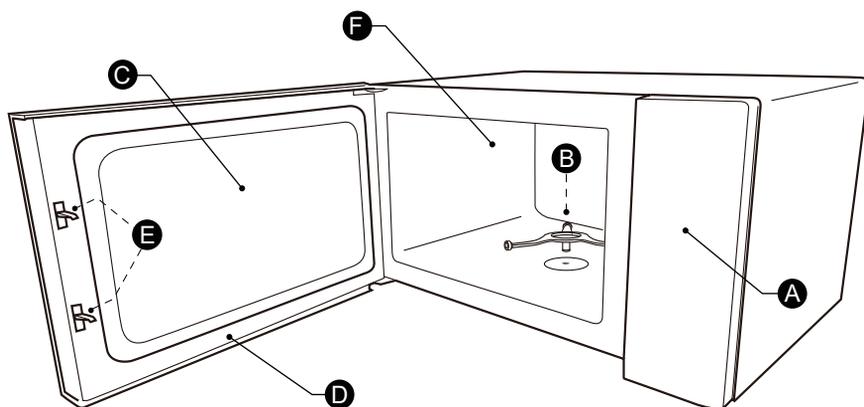
Ring til drejetallerken



Grillstativ (må ikke bruges på mikrobølgefunktionen og skal placeres på glasbakken)



Brugervejledning



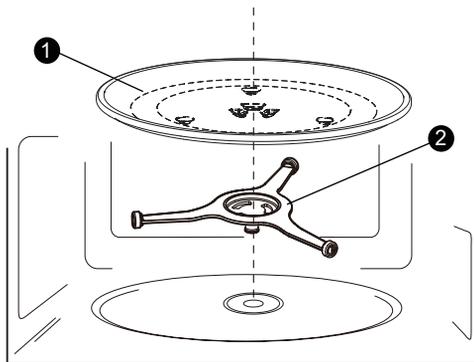
- A) Betjeningspanel
- B) Ring til drejetallerken
- C) Vindue

- D) Lågesamling
- E) Sikkerhedslåsesystem
- F) Ovnrum

FØR BRUG

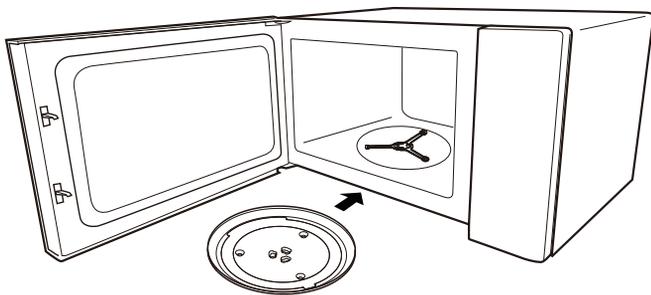
Rengøring af ovnrummet og montering af drejetallerkenen.

Når apparatet først sættes op, skal du sørge for at al emballage og forsendelsestape fjernes. Før du begynder at tilberede mad for første gang, skal du sætte drejetallerkenen på plads og rengøre ovnrummet og tilbehøret.



1) Glasplade

2) Ring til drejetallerken



Bemærkninger:

1. Apparatet må aldrig bruges uden drejetallerken. Sørg for at den sidder ordentligt på plads. Drejetallerkenen skal kunne dreje med eller mod uret.
2. Placer aldrig glasbakken på hovedet. Glasbakken må aldrig begrænses. Den skal altid kunne dreje rundt.
3. Både glasbakken og drejetallerkenringen skal altid bruges under tilberedningen.
4. Alle fødevarer og beholdere til fødevarer skal altid placeres på glasbakken under tilberedningen.
5. Begræns aldrig drejetallerkenen. Den skal altid kunne dreje rundt.
6. Hvis glasbakken eller drejetallerkenringen revner eller går i stykker, skal du kontakte det nærmeste autoriserede servicecenter.

OPSTILLING

Opstilling på en bordplade

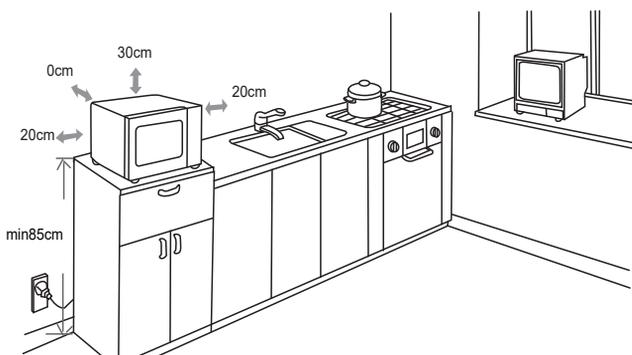
Fjern alle emballagematerialer og tilbehør. Se ovnen efter for eventuelle skader, såsom buler eller ødelagt låge. Apparatet må ikke stilles op, hvis det er beskadiget.

Kabinnet: Fjern al beskyttelsesfilm på ovnkabinettet.

Bølgedækslet, der er fastgjort i ovnrummet, må ikke fjernes, da det beskytter magnetronen.

Opstilling

1. Vælg en plan overflade, hvor der er nok friplads til ventilationsåbningerne.



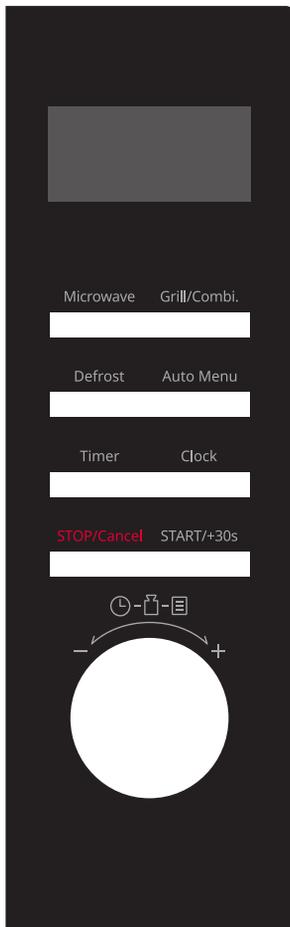
- (1) Den minimale opstillingshøjde er 85 cm.
 - (2) Apparatet skal stilles med bagsiden mod væggen. Der skal være mindst 30 cm fri plads over ovnen og mindst 20 cm fri plads mellem ovnen og væggene ved siden af.
 - (3) Fødderne må ikke tages af ovnen.
 - (4) Hvis ovnens ventilationsåbninger blokeres, kan ovnen tage skade.
 - (5) Placer ovnen så langt væk fra radioer og tv som muligt. Brug af mikrobølgeovnen kan forårsage interferens i din radio- eller tv-modtagelse.
2. Slut mikrobølgeovnen til en almindelig stikkontakt. Sørg for at spændingen og frekvensen i stikkontakten er ens med spændingen og frekvensen, der står på apparatets typeskilt.

ADVERSEL: Mikrobølgeovnen må ikke stilles over en kogeplade eller et andet varmeproducerende apparat. Hvis ovnen stilles i nærheden af en varmekilde, kan den tage skade, hvilket betyder at garantien bortfalder.



Den tilgængelige overflade kan være varm under brug.

BETJENINGSPANEL



Skærm:

Tiden, styrken og indikatorerne vises

Microwave (Mikrobølgeovn):

Mikrobølgefunktion og indstilling af styrke

Grill/Combi (kombi.):

Grillfunktion, eller en kombination af grill og mikrobølger

Combi (Optøning):

Optøning efter tid eller vægt

Auto-menu:

Automenuindstillinger

Timer:

Indstilling af timeren

Clock (Ur):

Indstilling af uret

STOP/Cancel (Annuller):

Stop eller annuller programmet

START/+30s (+30 sek.):

Start et program, eller start en hurtig tilberedning på fuld styrke, når apparatet er på standby.

En tilføjelse til andre knapper, når styrken, tilberednings-tiden, optøningstiden eller vægten indstilles.

BRUG

1. Indstilling af uret

- (1) Tryk én gang på "Clock", hvorefter skærmen viser "00:00".
- (2) Drej knappen for at indstille timerne, som skal være mellem 0-23.
- (3) Tryk på "Clock" for at bekræfte.
- (4) Drej knappen for at indstille minutterne, som skal være mellem 0-59.
- (5) Tryk på "Clock" for at bekræfte. Uret er nu indstillet.

Bemærkninger:

- (1) Hvis der ikke trykkes på "Clock"-knappen efter trin 4, eller hvis der ikke gøres noget inden for 5 minut, indstilles uret ikke.
- (2) Uret vises i et 24-timers format.
- (3) For at nulstille uret, skal du gentage trin 1 til trin 5.
- (4) Hvis uret ikke indstilles, virker det ikke, når apparatet tændes.

2. Tilberedning i mikrobølgeovnen

Ovnen har 10 styrker.

Styrke	10	9	8	7	6	5	4	3	2	1
Effekt	100%	90%	80%	70%	60%	50%	40%	30%	20%	10%
Skærm	P100	P 90	P 80	P 70	P 60	P 50	P 40	P 30	P 20	P 10

- (1) Tryk på "Microwave", hvorefter skærmen viser "P100".
- (2) Tryk gentagne gange på "Microwave", eller drej knappen for at indstille styrken.
- (3) Tryk på "START/+30s" for at bekræfte indstillingen.
- (4) Drej knoppen for at indstille tilberedningstiden. Den maksimale værdi er "95:00".
- (5) Tryk på "START/+30s" for at starte tilberedningen.

3. Indstilling af køkkenuret

- (1) Tryk én gang på "Timer", hvorefter skærmen viser "00:00".
- (2) Drej knoppen for at indstille den ønskede tid. Den maksimale værdi er "95:00".
- (3) Tryk på "START/+30s" for at bekræfte indstillingen. Timeren begynder at tælle ned.

Bemærkninger:

- (1) Køkkenuret er en timer.
- (2) Når timeren bruges, er det ikke muligt at indstille et program.

4. Grillmadlavning

- (1) Tryk én gang på "Grill/Combi.", hvorefter skærmen viser "G-1".
- (2) Tryk på "START/+30s" for at bekræfte indstillingen.
- (3) Drej knoppen for at indstille den ønskede tilberedningstid. Den maksimale værdi er "95:00".
- (4) Tryk på "START/+30s" for at starte tilberedningen.

Bemærk: Alarmen lyder for at minde dig på at maden skal vendes under grillning. Hvis du ikke gør noget, fortsætter ovnen med at køre.

5. Kombinationsmadlavning

- (1) Tryk én gang på "Grill/Combi.", hvorefter skærmen viser "G-1". Tryk på "Grill/Combi." Tryk gentagne gange for at vælge den ønskede styrke, hvorefter "C-1", "C-2" vises i rækkefølge.
- (2) Tryk på "START/+30s" for at bekræfte indstillingen.
- (3) Drej knoppen for at indstille den ønskede tilberedningstid. Den maksimale værdi er "95:00".
- (4) Tryk på "START/+30s" for at starte tilberedningen.

Bemærk: Vejledning til kombineret tilberedning

Funktion	Skærm	Mikrobølgestyrke	Grill-styrke
Kombi. 1	C-1	55%	45%
Kombi. 2	C-2	36%	64%

6. Optøning efter vægt

- (1) Tryk én gang på "Defrost", hvorefter skærmen viser "dEF1".
- (2) Drej knoppen for at indstille fødevarens vægt. Vægten kan sættes fra 100g til 2000g.
- (3) Tryk på "START/+30s" for at starte optøningen.

Bemærk: Alarmen lyder for at minde dig på at maden skal vendes under optøningen. Hvis du ikke gør noget, fortsætter ovnen med at køre.

7. Optøning efter tid

- (1) Tryk to gange på "Defrost", hvorefter skærmen viser "dEF2".
- (2) Drej knoppen for at indstille den ønskede optøningstid. Du kan vælge fra 0:05-95:00.
- (3) Tryk på "START/+30s" for at starte optøningen.

Bemærkninger:

- (1) Alarmen lyder for at minde dig på at maden skal vendes under optøningen. Hvis du ikke gør noget, fortsætter ovnen med at køre.
- (2) Standardstyrken er P30, og dette kan ikke ændres.

8. Tilberedning i flere trin

Bemærkninger:

- (1) Ved tilberedning i flere trin kan du bruge to tilberedningstrin.
- (2) Hvis du bruger optøningsfunktionen, bruges den automatisk i første trin.
- (3) Programmerne Køkkenur, Automenu og Hurtig tilberedning kan ikke bruges ved tilberedning i flere trin.
- (4) Ved tilberedning i flere trin, kan du trykke på "START/+30s" for at forlænge tilberedningstiden.

Eksempel: Hvis du vil optø maden i 5 minutter og derefter tilberede den på 80 % mikrobølgestyrke i 7 minutter, skal du gøre følgende:

- (1) Tryk to gange på "Defrost", hvorefter skærmen viser "dEF2".
- (2) Drej knoppen for at indstille den ønskede optøningstid på 5 minutter.
- (3) Tryk på "Microwave", hvorefter skærmen viser "P100".
- (4) Drej knoppen og sæt styrken på P80.
- (5) Tryk på "START/+30s".
- (6) Drej knoppen for at indstille tilberedningstiden på 7 minutter.
- (7) Tryk på "START/+30s" for at starte tilberedningen.

9. Hurtig tilberedning

- (1) Sørg for at ovnen er på standby, og tryk på "START/+30s" for at tilberede maden på 100 % styrke i 30 sekunder. Hvert tryk på den samme knap, forlænger tilberedningen med 30 sekunder op til 95 minutter.
- (2) Sørg for at ovnen er på standby, og drej knoppen til venstre for at indstille en tilberedningstid på 100 % styrke. Tryk på "START/+30s" for at starte tilberedningen.

10. Børnesikring

Du kan bruge denne funktion til at forhindre børn i at tænde for ovnen ved et uheld.

Sådan slår du børnesikringen til:

Sørg for at ovnen står på standby, og hold "STOP/Cancel" knappen nede i 3 sekunder. Apparatet siger et langt bip, og et lås-ikon vises.

Sådan slår du børnesikringen fra:

Når apparatet er låst, skal du holde "STOP/Cancel" nede i tre sekunder, hvorefter apparatet siger et bip for at vise at apparatet er låst op og lås-ikonet forsvinder.

11. Visning af tids- og tilberedningsoplysningerne

- (1) Hvis uret indstilles, kan du se den aktuelle tid i tre sekunder ved at trykke på "Clock", når apparatet er på tilberedningsfunktionen.
- (2) Når apparatet er på mikrobølgefunktionen skal du trykke på "Microwave" for at se styrken. Når apparatet er på grill- og kombinationsfunktionen skal du trykke på "Grill/Combi." for at se den aktuelle tilberedningsfunktion.

12. Auto Menu (Automenu)

- (1) Tryk én gang på "Auto Menu", hvorefter skærmen viser "A-1".
- (2) Tryk gentagne gange på "Auto Menu" eller drej knoppen for at vælge den ønskede menu.
Du kan vælge mellem 8 automatiske menuer.
- (3) Tryk på "START/+30s" for at bekræfte indstillingen.
- (4) Drej knoppen for at indstille fødevarens vægt.
- (5) Tryk på "START/+30s" for at starte tilberedningen.

Automenu

Menu	Vægt/ Mængde	Skærm	Effekt
A-1 Automatisk opvarmning	200 g	200	P100
	400g	400	
A-2 Kød	250g	250	P100
	350g	350	
	450g	450	
A-3 Friske grøntsager	200 g	200	P100
	300g	300	
	400g	400	
A-4 Pasta	50 g (med 450 g koldt vand)	50	P80
	100g (med 800g koldt vand)	100	
A-5 Kartofler	1 stk. (ca. 230 g)	1	P100
	2 stk.	2	
	3 stk.	3	
A-6 Fisk	250g	250	P80
	350g	350	
	450g	450	
A-7 Drikkevarer	1 portion (120 ml)	1	P100
	2 portioner (240 ml)	2	
	3 portioner (360 ml)	3	
A-8 Popcorn	50g	50	P100
	100g	100	

FEJLFINDING

Normal	
Mikrobølgeovnen forstyrrer tv-mottagelsen	Radio- og tv-mottagelse kan blive forstyrret, når mikrobølgeovnen er i brug. Det svarer til forstyrrelser fra små elektriske apparater som f.eks. røremaskine, støvsuger og elektrisk ventilator. Det er helt normalt.
Dæmpet lys	Ved madlavning på en lav styrke, dæmpes lyset muligvis. Det er helt normalt.
Damp samler sig på lågen, varm luft kommer ud af ventilationsåbningerne	Under tilberedningen kan der komme damp ud af maden. Det meste damp kommer ud af ventilationsåbningerne. Men noget af dampen kan samle sig på et køligt sted, såsom på lågen. Det er helt normalt.
Mikrobølgeovnen starter ved et uheld uden fødevarer i.	Apparatet må ikke startes uden fødevarer i. Dette er meget farligt.

Problem	Mulig årsag	Løsning
Mikrobølgeovnen kan ikke startes.	(1) Ledningen er ikke sat ordentligt i.	Træk stikket ud. Sæt derefter stikket i igen efter 10 sekunder.
	(2) Sikringen springer, eller afbryderen virker ikke.	Udskift sikringen, eller nulstil afbryderen (repareres af fagfolk).
	(3) Problemer med stikkontakten.	Test stikkontakten med andre elektriske apparater.
Mikrobølgeovnen varmer ikke.	(4) Lågen er ikke lukket ordentligt.	Luk lågen ordentligt.

SPECIFIKATIONER

Model:	POMW5023GB
Nominel spænding:	230 V~ 50Hz
Nominel indgangseffekt (mikrobølger):	1350W
Nominel udgangseffekt (mikrobølger):	900W
Nominel indgangseffekt (grill):	1000W
Mikrobølgeovnens kapacitet:	23L
Produktmål:	280mm (H) x 469mm (B) x 365mm (D)



I henhold til direktivet om affald af elektrisk og elektronisk udstyr (WEEE), skal apparatet indsamles og behandles separat. Hvis du på et tidspunkt i fremtiden får brug for at bortskaffe dette produkt, må du IKKE bortskaffe det sammen med husholdningsaffaldet. Send venligst dette produkt til WEEE-indsamlingssteder, hvor det er tilgængeligt.

Power International AS,
PO Box 523, N-1471 Lørenskog, Norway

Power Norge:
<https://www.power.no/kundeservice/>
T: 21 00 40 00

Power Danmark:
<https://www.power.dk/kundeservice/>
T: 70 33 80 80

Punkt 1 Danmark:
<https://www.punkt1.dk/kundeservice/>
T: 70 70 17 07

Power Finland:
<https://www.power.fi/tuki/asiakaspalvelu/>
T: 0305 0305

Power Sverige:
<https://www.power.se/kundservice/>
T: 08 517 66 000

SÄKERHETSVARNINGAR

Allmän säkerhet

- Stäng av och dra ur kontakten innan verktyg/tillbehör monteras eller tas bort, efter användning och innan rengöring.
- Hålla fingrar borta från rörliga delar och monterade tillbehör.
- Använd aldrig ett skadat redskap.
- Använd aldrig redskapet när det är tomt.
- Se till att nätkabeln är utom räckhåll för barn.
- Se till att enheten, nätkabeln och kontakten inte kommer i kontakt med vatten.
- Överskrid aldrig angiven maxkapacitet.
- Läs medföljande säkerhetsanvisningar innan tillbehör används.
- Var försiktig vid lyft av redskapet, det är tungt.
- Se alltid till att redskapet kontrolleras av en kvalificerad tekniker för att säkerställa att det är säkert att använda om det har utsatts för kraftiga slag (t.ex. tappats) eller kan vara skadat.
- Denna maskin kan användas av barn från 8 år och uppåt och av personer med nedsatt fysisk, sensorisk eller psykisk förmåga, eller bristande erfarenhet och kunskap, om de har fått handledning eller instruktioner angående användningen av maskinen på ett säkert sätt och förstår de risker som detta medför.
- Barn skall övervakas för att säkerställa att de inte leker med apparaten.
- Använd bara apparaten i hemmet för de syften den är konstruerats.

Underhåll mikrovågsugnen

VARNING: Det är förenat med fara för andra än kvalificerade tekniker att genomföra service eller reparationer som innebär att ett hölje som skyddar mot mikrovågsstrålning tas bort.

VARNING: Om dörren eller dörrens försegling är skadad får mikrovågsugnen inte användas förrän den har reparerats av en kvalificerad tekniker.

- Om rök observeras, stäng av eller koppla bort mikrovågsugnen från nätet och håll dörren stängd för att kväva eventuella lågor.
- Om nätkabeln är skadad måste den bytas ut av en servicerepresentant eller kvalificerad tekniker.
- Kontakta läkare innan du använder mikrovågsugnen om du har en pacemaker.

Användning av mikrovågsugnen

- Denna mikrovågsugn är inte avsedd för kommersiellt bruk.
- Den får aldrig användas för att torka kläder eller syften som inte rör tillredning av mat.
- Mikrovågsugnen skall aldrig lämnas obevakad under användning.
- Det kan förekomma höga temperaturer på tillgängliga ytor när mikrovågsugnen är i drift.
- För att förhindra ansamling av fukt i mikrovågsugnens innandöme, öppna omedelbart dörren för att släppa ut ånga efter det att ugnen slutat verkat.
- Använd bara köksredskap som lämpar sig för användning med mikrovågsfunktioner.
- Iakttag försiktighet vid användning av papper, plast, trä och andra brännbara material som kan fatta eld i mikrovågsugnen.
- Olja och fetter avsedda för friture får inte upphettas i mikrovågsugnen.

- Använd endast plastfolie som konstruerats för användning i mikrovågsugnar, och iakttag försiktighet för att undvika brännskador från ånga när filmen tas av.
- Poppa bara popcorn avsedda att poppas i mikrovågsugn.

Användning för matlagning

- Effekten kan variera kraftigt mellan olika mikrovågsugnar, var därför försiktig när denna mikrovågsugn används i början då tillagning kan ske fortare än förväntat.
 - Lämna inte mikrovågsugnen utan tillsyn vid användning.
 - Var försiktig vid tillredning av mat med hög sockerhalt eller högt fettinnehåll, såsom plumpudding och frukttårta. Socker och fett kan överhettas och i vissa fall antändas.
- VARNING:** Låt bara barn använda mikrovågsugnen utan tillsyn när de fått erforderliga instruktioner så att de kan använda mikrovågsugnen på ett säkert sätt och förstår riskerna med felaktig användning; ANTA INTE att ett barn som behärskar tillagning av en rätt klarar av att tillaga allt utan noggrann övervakning. Mikrovågsugnen FÅR INTE behandlas eller användas som en leksak.

Brand!

Vid brand:

- Se till att mikrovågsugnens dörr förblir stängd.
- Stäng av strömmen.
- Koppla bort mikrovågsugnen från elnätet.

Första hjälpen

Vid skällning:

- Placera fort det skällade området under rinnande kallt vatten i minst 10 minuter.
- Täck med en ren och torr kompress. Använd inte krämer, oljor eller lotion.

Rengöring av mikrovågsugnen

Mikrovågsugnen skall rengöras regelbundet och matrester avlägsnas. Underlåtenhet att rengöra mikrovågsugnen kan leda till att mikrovågsugnens livslängd förkortas och kan även resultera i hälsofarliga situationer. (Se rengöring av mikrovågsugnen)

Använd inte dessa i mikrovågsugnen

- Metallföremål får inte användas i mikrovågsugnen. Bland dessa saker finns:
 - Köksredskap i metall.
 - Tallrikar och brickor eller tråg i metall
 - Klips med metalltråd i (t.ex. plas tband för att försluta stekpåse)
 - Porslin med metallinläggningar
 - Stektermometer
- Använd aldrig utrustning i metall, förutom aluminiumfolie, i mikrovågsugnen. Energin i mikrovågor kan inte tränga igenom metall så den reflekteras och ger upphov till gnistbildning inuti mikrovågsugnen.
- Stoppa omedelbart mikrovågsugnen om gnistbildning uppstår vid användning.
- Kom ihåg att vissa porslinsartiklar har dekorativa metallinlägg runt kanterna. Gnistbildning kan uppstå till och med på grund av dessa dekorationer.

Behållare

VARNING: I slutna behållare byggs tryck upp som kan leda till att de exploderar. Använd därför inte följande i mikrovågsugnen:

- Slutna behållare
 - Vakuumbehållare
 - Hårdkokta ägg
 - Nötter
 - Flaskor med kork
 - Tillslutna burkar
 - Ägg i sina skal
- Stick alltid hål på skinnet till frukter och grönsaker, som t.ex. potatis.
 - Använd aldrig repat, sprucket eller skadat glas i mikrovågsugnen. Skadad glas kan explodera.
 - När mat hettas upp i plast- eller pappersbehållare, håll ett öga på mikrovågsugnen då det finns möjlighet till antändning.

Fördröjd kokning

Vätskor som hettas upp i en mikrovågsugn kan börja koka när man tar ut dem från mikrovågsugnen.

Vidta följande försiktighetsåtgärder:

- Rör alltid om i vätskor, före och efter att de hettas upp.
- Låt dem stå.
- Använd behållare som är bredare i toppen än i botten.

Att preparera mat för spädbarn

Extra försiktighet måste iakttas när man förbereder mat eller dryck för spädbarn och små barn.

- Kontrollera alltid temperaturen på mat och dryck innan det ges till ett spädbarn.
- Vid användning av nappflaska, se till att själva nappen tas bort före uppvärmningen.
- Vid uppvärmning av mjölk, se till att flaskan skakas.

Uppmärksamma!



Heta ytor

Under tillagning hettas ugnens yttre ytor upp. Vidrör inte mikrovågsugnens ytterhölje. Var noggrann med att inte lämna saker ovanpå mikrovågsugnen.



Anvisningar beträffande jordning

VARNING: DENNA APPARAT MÅSTE JORDAS.

- Denna apparat är utrustad med en nätverkskabel som har en jordad kontakt.
- Stickkontakten måste sättas in i ett lämpligt nätuttag som är installerat och jordat i enlighet med lokala normer och krav.

Varning!

- Felaktig anslutning av apparatens jordade ledare kan innebära risk för elchock.
- Kontrollera med en kvalificerad elektriker eller servicerepresentant om det råder någon osäkerhet huruvida apparaten är ordentligt jordad.
- Modifiera aldrig apparatens kontakt.
- Om kontakten inte passar ordentligt i eluttaget, låt en kvalificerad elektriker installera ett korrekt eluttag.

FÖRSIKTIGHETSÅTGÄRDER FÖR ATT UNDVIKA EXPONERING FÖR MIKROVÅGSENERGI

- (a) Försök inte att använda den här ugnen med luckan öppen eftersom det kan leda till skadlig exponering för mikrovågsenergi. Det är viktigt att inte ta sönder eller mixtra med säkerhetslåsen.
- (b) Placera inte något föremål mellan ugnens framsida och luckan eller låt jord eller rester av rengöringsmedel ansamlas på tätningsytor.

VIKTIGA SÄKERHETSFÖRESKRIFTER

För att minska risken för brand, elektriska stötar, personskador eller exponering för mikrovågsenergi när du använder apparaten, följ dessa grundläggande försiktighetsåtgärder:

1. Rengöring och användarunderhåll bör inte utföras av barn såvida de inte är äldre än 8 år och övervakas.
2. Läs och följ de specifika: "FÖRSIKTIGHETSÅTGÄRDER FÖR ATT UNDVIKA EXPONERING FÖR MIKROVÅGSENERGI".
3. Koka inte mat för länge.
4. Använd inte ugnsutrymmet för förvaring. Förvara inte föremål såsom bröd, kakor etc. inuti ugnen.
5. Ta bort påsförslutare och metallhandtag från behållare/ påsar i papper eller plast innan de placeras i ugnen.
6. Installera eller placera ugnen endast i enlighet med installationsanvisningarna.
7. Denna apparat är avsedd att användas i hushåll och liknande användningsområden såsom:
 - personalkök i butiker, kontor och andra arbetsmiljöer;

- av kunder på hotell, motell och andra bostadsmiljöer;
 - bondgårdar;
 - pensionat och liknande miljöer.
8. Förvara inte eller använd apparaten utomhus.
 9. Använd inte ugnen nära vatten, i en fuktig källare eller nära en simbassäng.
 10. Låt inte sladden hänga över en bordskant eller arbetsyta.
 11. Uppvärmning av drycker i mikrovågsugn kan leda till försenad kokning, och därför måste man vara försiktig vid hantering av behållaren.
 12. Apparaterna är inte avsedda att drivas med hjälp av en extern timer eller ett separat fjärrkontrollsystem.
 13. Ångtvätt får inte användas.
 14. Apparaten blir varm under användning. Försiktighet bör vidtas för att undvika att röra värmeelementen inne i ugnen.
 15. Använd endast temperaturgivare som rekommenderas för denna ugn. (För ugnar försedda med en möjlighet att använda en temperaturgivare.)
 16. **WARNING:** Apparaten och dess tillgängliga delar blir varma under användning. Försiktighet bör vidtas för att undvika att röra värmeelementen. Barn under 8 år bör hållas på avstånd om de inte övervakas ständigt.
 17. Den bakre ytan av apparaten ska placeras mot en vägg.
 18. Mikrovågsugnen får inte placeras i ett skåp.

LÄS NOGA OCH FÖRVARA FÖR FRAMTIDA REFERENS

ATT MINSKA RISKEN FÖR PERSONSKADA JORDNINGSPÅSÄTTNING

FARA

Risk för elektrisk stöt Röra några av de inre komponenterna kan orsaka allvarlig personskada eller dödsfall. Ta inte isär apparaten.

VARNING

Risk för elektrisk stöt Felaktig användning av jordning kan leda till i elektriska stötar. Anslut inte till ett eluttag förrän apparaten är korrekt installerad och jordad.

Apparaten måste jordas.

I händelse av en elektrisk kortslutning minskar jordning risken för elektriska stötar genom att tillhandahålla en avledningsledning för den elektriska strömmen.

Konsultera en kvalificerad elektriker eller servicetekniker om jordningsinstruktionerna inte är helt klara eller om tvivel råder om apparaten är ordentligt jordad.

Om det är nödvändigt att använda en förlängningssladd, använd endast 3-tråd förlängningssladd.

1. En kort elkabel tillhandahålls för att minska de risker som kan uppstå med en längre sladd, t.ex. man trasslar in sig i eller snubblar över den.
2. Om du använder en lång sladd eller förlängningssladd:
 - 1) Strömklassificeringen av sladden eller förlängningssladden bör vara minst lika stor som apparatens strömklassificering.
 - 2) Förlängningssladden måste vara en jordad 3-trådssladd.
 - 3) Den långa sladden bör placeras så att den inte hänger över arbetsbänken eller bordet där barn kan dra i den eller snubbla över den oavsiktligt.

RENGÖRING

Var noga med att koppla bort apparaten från nätet.

1. Rengör ugnsutrymmet efter att ha använt den med en lätt fuktad trasa.
2. Rengör tillbehören på vanligt sätt i tvålatten.
3. Luckan och tätning samt angränsande delar måste rengöras noggrant med en fuktig trasa när de är smutsiga.
4. Använd inte starka frätande rengöringsmedel eller vassa metallskrapor för att rengöra ugnsluckans glas eftersom de kan repa ytan, vilket kan leda till att glaset spricker.
5. Rengöringstips---för lättare rengöring av ugnsutrymmets väggar som maten kan vidröra: Placera en halv citron i en skål, tillsätt 300 ml (1/2 pint) vatten och värm upp på 100% mikrovågseffekt i 10 minuter. Eftertorka ugnen med en mjuk, torr trasa.
10 minutes. Wipe the microwave oven clean using a soft, dry cloth.

KÖKSREDSKAP

FÖRSIKTIGHET

Risk för personskada

Det är farligt för någon annan än en kompetent person att utföra service eller reparationer som innebär avlägsnande av höljet som skyddar mot exponering för mikrovågsenergi.

Se anvisningarna om "Material som kan användas i mikrovågsugn eller undvikas i mikrovågsugn." Det kan finnas vissa icke-metalliska kärl som inte är säkra att använda i mikrovågsugnen. Om du är osäker kan du testa kärlet i fråga genom att följa proceduren nedan.

Test av kärl

1. Fyll en mikrovågssäker behållare med en kopp kallt vatten (250 ml) tillsammans med kärlet i fråga.
2. Koka på högsta effekt i 1 minut.
3. Ta försiktigt på kärlet. Om det tomma kärlet är varmt bör det inte användas i mikrovågsugnen.
4. Överstig inte 1 minut.

Material som du kan använda i mikrovågsugnen

Köksredskap	Anmärkningar
Kärl för halstring	Följ tillverkarens instruktioner. Kärlets botten måste vara minst 3/16 tum (5 mm) ovanför glasplattan. Felaktig användning kan leda till att glasplattan går sönder.
Matservis	Endast om den kan användas i mikrovågsugn. Följ tillverkarens instruktioner. Använd inte skadat eller sprucket gods.
Glasburkar	Ta alltid bort locket. Använd endast för lätt uppvärmning av mat. De flesta glasburkar är inte värmetåliga och kan gå sönder.
Glas	Endast värmetåligt ugnsglas. Kontrollera att det inte finns utsmyckningar i metall. Använd inte skadat eller sprucket gods.
Påsar för ugnsmatlagning	Följ tillverkarens instruktioner. Stäng in med försegling i metall. Gör hål så att ångan kan komma ut.
Papperstallrikar och koppar	Använd endast för kortvarig matlagning/uppvärmning. Lämna inte ugnen utan uppsikt under matlagningen.
Hushållspapper	Använd för att täcka över mat under återuppvärmning och absorbera fett. Använd under uppsikt endast för en kortsiktig matlagning.
Bakplåts papper	Använd för att täcka över för att förhindra stänk eller en förpackning för ångkokning.
Plast	Endast om den kan användas i mikrovågsugn. Följ tillverkarens instruktioner. Bör märkas "Kan användas i mikrovågsugn". Vissa plastbehållare mjuknar när maten inuti blir varm. Gör skårer eller hål i kokpåsar och tätt slutna plastpåsar enligt anvisningarna på förpackningen.
Plastfolie	Endast om den kan användas i mikrovågsugn. Använd för att täcka mat under tillagningen för att behålla fukt. Låt inte plastfolien röra maten.
Termometrar	Endast om den kan användas i mikrovågsugn (kött- och godistermometrar).
Vaxpapper	Använd för att täcka över för att förhindra stänk och behålla fukt.

Material som ska undvikas i mikrovågsugn

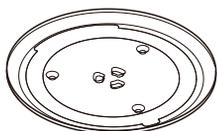
Köksredskap	Anmärkningar
Aluminiumbricka	Kan orsaka gnistbildning. Placera maten på ett fat som kan användas i mikrovågsugn.
Matkartong med metallhandtag	Kan orsaka gnistbildning. Placera maten på ett fat som kan användas i mikrovågsugn.
Metallredskap eller redskap utsmyckade i metall	Metall skyddar maten från mikrovågor. Metallutsmyckning kan orsaka gnistbildning.
Päsförslutare i metall	Kan orsaka gnistbildning och brand i ugnen.
Papperspåsar	Kan orsaka brand i ugnen.
Plastskum	Plastskum kan smälta eller förorena vätskan inuti när den utsätts för hög temperatur.
Trä	Trä torkar ut när den används i mikrovågsugnen och kan gå sönder eller spricka.

PRODUKTÖVERSIKT

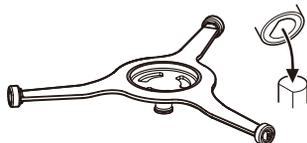
(I händelse av skillnader mellan apparaten och bilderna i denna bruksanvisning är det produkten som gäller)

Ta bort allt förpackningsmaterial från kartongen och ugnsutrymmet.

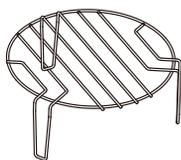
Mikrovågsugnen levereras med följande tillbehör:



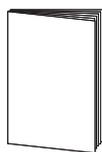
Glastallrik



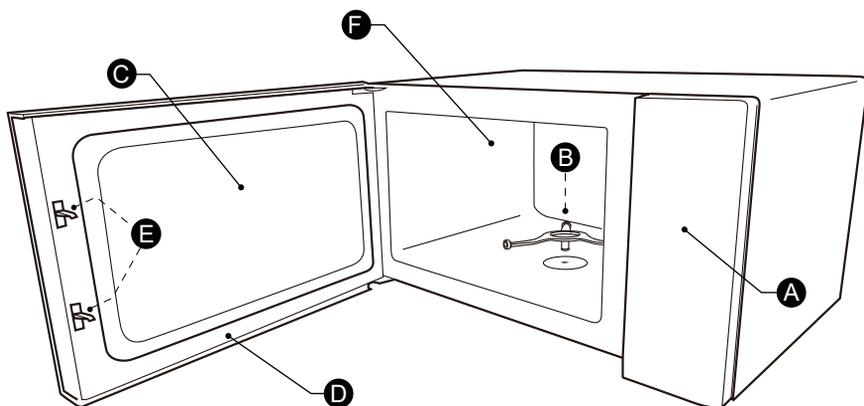
Roterande ring



Grillgaller (kan inte användas i med mikrovågsugnsfunktionen och måste placeras på glastallriken)



Bruksanvisning

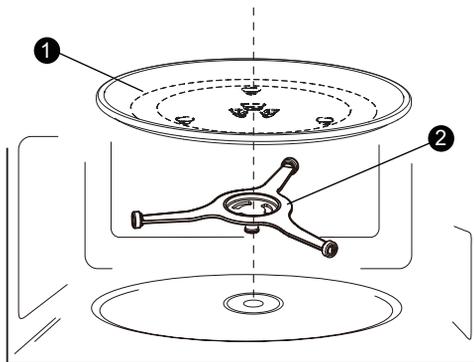


- A) Kontrollpanel
- B) Roterande ring
- C) Observationsfönster

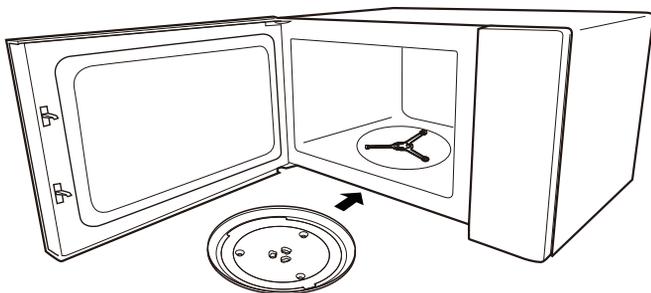
- D) Lucka
- E) Säkerhetsspärrsystem
- F) Mikrovågsugnens utrymme

INNAN FÖRSTA ANVÄNDNINGEN

Rengör matlagingsutrymmet och placera den roterande ringen och tallriken. Vid nyinstallation, se till att all förpackning och transporttejp har avlägsnats. Innan du använder apparaten för att laga mat för första gången måste du placera roterande ringen och tallriken på rätt plats och rengöra matlagingsutrymmet och tillbehören.



- 1) Glastallrik
- 2) Roterande ring



Anmärkningar:

1. Använd aldrig apparaten utan tallriken. Kontrollera att den är ordentligt inkopplad. Tallriken kan snurra medurs eller moturs.
2. Placera aldrig glastallriken upp och ned. Glastallriken får aldrig hindras.
3. Både glastallriken och roterande ringen måste alltid användas vid tillagning.
4. All mat och alla matbehållare placeras alltid på glastallriken för tillagning.
5. Begränsa aldrig den roterande ringens rörelse.
6. Om glastallriken eller roterande ringen spricker eller går sönder, kontakta närmaste auktoriserade serviceverkstad.

INSTALLATION

Installation på köksbänk

Ta bort allt förpackningsmaterial och alla tillbehör.

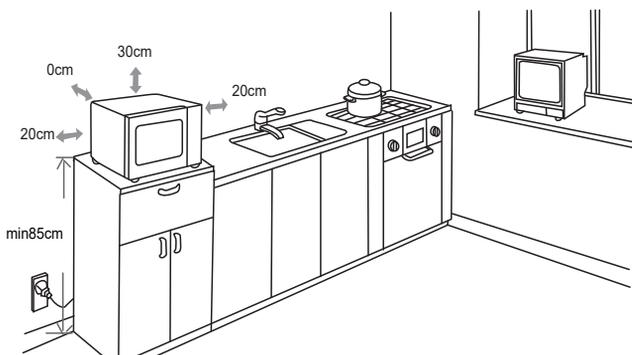
Undersök om ugnen har några skador, t.ex. bucklor eller trasig lucka. Installera inte om ugnen är skadad.

Skåp: Ta bort eventuell skyddsfilm som finns på mikrovågsugnsens skåpsyta.

Avlägsna inte vågledarskyddet som är fäst vid ugnsutrymmet för att skydda magnetronen.

Installation

1. Välj en jämn yta som ger tillräckligt utrymme för inlopps- och/eller utloppsventilerna.



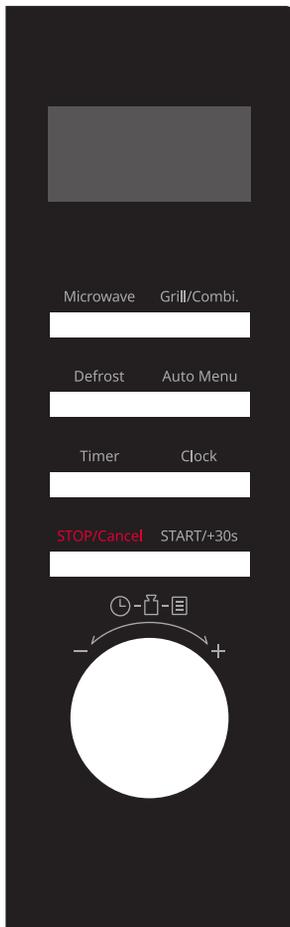
- (1) Minsta installationshöjd är 85 cm.
 - (2) Apparats baksida ska placeras mot en vägg. Lämna ett fritt utrymme på minst 30 cm ovanför ugnen och ett fritt utrymme på minst 20 cm mellan ugnen och intilliggande väggar.
 - (3) Ta inte bort fötterna på ugnens underdel.
 - (4) Om inlopps- och/eller utloppsöppningarna blockeras kan ugnen skadas.
 - (5) Placera apparaten så långt bort från radio- och TV-apparater som möjligt. Användning av mikrovågsugn kan orsaka störningar i din radio- eller TV-mottagning.
2. Anslut ugnen till ett vanligt hushållsuttag. Kontrollera att spänningen och frekvensen är samma som spänningen och frekvensen på märkskylten.

WARNING: Installera inte ugnen över en spishäll eller annan värmealstrande apparat. Om ugnen installeras nära eller över en värmekälla kan den skadas och garantin upphör att gälla.



Den tillgängliga ytan kan vara varm under drift.

KONTROLLPANEL



Display:

Tid, effekt och indikatorer visas

Microwave:

Mikrovågsfunktion och inställning av effektnivå

Grill/Combi.:

Grillfunktion eller grill- och mikrovågs kombination

Defrost (Upptining):

Upptining efter tid eller vikt

Auto Menu:

Alternativ för automatisk meny

Timer:

Inställning av timer

Clock:

Inställning av klocka

STOP/Cancel:

Stoppa eller avbryt program

START/+30s:

Starta program eller snabbstarta tillagning i standby-läge på full effektnivå.



Ett tillägg till andra knappar vid justering av effektnivå, tillagningstid, upptiningstid eller vikt etc.

ANVÄNDNING

1. Ställa in klockan

- (1) Tryck en gång på "Clock" och sedan visas "00:00".
- (2) Vrid på reglaget för att ställa in timmen, den ska ligga inom 0-23.
- (3) Tryck på "Clock" för att bekräfta.
- (4) Vrid på reglaget för att ställa in minuten, den ska ligga inom 0-59.
- (5) Tryck på "Clock" för att bekräfta. Klockan är inställd.

Anmärkningar:

- (1) Om du inte trycker på "Clock" efter steg 4, eller om ingen åtgärd utförs inom 5 minuter, är inställningen ogiltig.
- (2) Klockan visar 24 timmar.
- (3) För att återställa klockan, upprepa steg 1 till steg 5.
- (4) Om klockan inte är inställd kommer den inte att fungera när den strömförsöks.

2. Mikrovågstillagning

10 effektnivåer finns tillgängliga.

Nivå	10	9	8	7	6	5	4	3	2	1
Effekt	100%	90%	80%	70%	60%	50%	40%	30%	20%	10%
Display	P100	P 90	P 80	P 70	P 60	P 50	P 40	P 30	P 20	P 10

- (1) Tryck på "Microwave" och sedan visas "P100".
- (2) Tryck på "Microwave" upprepade gånger eller vrid på reglaget för att ställa in effektnivån.
- (3) Tryck på "START/+30s" för att bekräfta.
- (4) Vrid på reglaget för att justera tillagningstiden. Det maximala tidsvärdet är "95:00".
- (5) Tryck på "START/+30s." för att starta tillagningen.

3. Inställning av kökstimern

- (1) Tryck en gång på "Timer" och därefter visas "00:00".
- (2) Vrid på reglaget för att ställa in önskad tid. Det maximala tidsvärdet är "95:00".
- (3) Tryck på "START/+30s" för att bekräfta. Timern börjar räkna ned.

Anmärkningar:

- (1) Kökstimern är en timer.
- (2) När kökstimern är igång kan inga program ställas in.

4. Grillning

- (1) Tryck en gång på "Grill/Combi." och "G-1" visas.
- (2) Tryck på "START/+30s" för att bekräfta.
- (3) Vrid på reglaget för att ställa in tillagningstiden. Det maximala tidsvärdet är "95:00".
- (4) Tryck på "START/+30s." för att starta tillagningen.

Obs: Summern ljuder för att påminna dig om att vända på maten under grillningen. Om ingen åtgärd vidtas fortsätter ugnen att fungera.

5. Kombinerad matlagning

- (1) Tryck en gång på "Grill/Combi." och "G-1" visas. Tryck på "Grill/Combi." Upprepa för att välja önskad effekt och "C-1", "C-2" visas i tur och ordning.
- (2) Tryck på "START/+30s" för att bekräfta.
- (3) Vrid på reglaget för att ställa in tillagningstiden. Det maximala tidsvärdet är "95:00".
- (4) Tryck på "START/+30s." för att starta tillagningen.

Obs: Instruktioner för kombination

Funktion	Display	Mikrovågseffekt	Grilleffekt
Kombi. 1	C-1	55 %	45 %
Kombi. 2	C-2	36 %	64 %

6. Tina efter vikt

- (1) Tryck en gång på "Defrost" och därefter visas "dEF1" på displayen.
- (2) Vrid på reglaget för att ställa in matens vikt. Viktintervallet är 100 till 2000 g.
- (3) Tryck på "START/+30s" för att starta avfrostningen.

Obs: Summern ljuder för att påminna dig om att vända på maten under upptiningen. Om ingen åtgärd vidtas fortsätter ugnen att fungera.

7. Tina efter Tid

- (1) Tryck två gånger på "Defrost" och sedan visas "dEF2" på skärmen.
- (2) Vrid på reglaget för att ställa in önskad avfrostningstid. Tidsintervallet är 0:05-95:00.
- (3) Tryck på "START/+30s" för att starta avfrostningen.

Anmärkningar:

- (1) Summern ljuder för att påminna dig om att vända på maten under tiningen. Om ingen åtgärd vidtas fortsätter ugnen att fungera.
- (2) Den förinställda effektnivån är P30 och kan inte ändras.

8. Matlagning i flera steg

Anmärkningar:

- (1) Två tillagningssteg kan ställas in vid tillagning i flera steg.
- (2) Om du ställer in avfrostningsfunktionen kommer den att fungera automatiskt i det första steget.
- (3) Kökstimer, automatisk meny och snabbtillagning kan inte ställas in som en av flerstegsfunktionerna.
- (4) Du kan trycka på "START/+30s" för att öka tillagningstiden vid tillagning i flera steg.

Exempel: Tina maten i 5 minuter och tillaga den sedan med 80% mikrovågseffekt i 7 minuter, tillagningsstegen är följande:

- (1) Tryck två gånger på "Defrost" och sedan visas "dEF2" på skärmen.
- (2) Vrid på reglaget för att ställa in önskad avfrostningstid på 5 minuter.
- (3) Tryck på "Microwave" och sedan visas "P100".
- (4) Vrid på reglaget för att ställa in effektnivån för P80.
- (5) Tryck på "START/+30s".
- (6) Vrid på reglaget för att ställa in tillagningstiden på 7 minuter.
- (7) Tryck på "START/+30s." för att starta tillagningen.

9. Snabbtillagning

- (1) I standby-läge, tryck på "START/+30s" för att laga mat med 100% effektnivå i 30 sekunder. Varje tryck på samma knapp kan öka tiden med 30 sekunder och det maximala tidsvärdet är 95 minuter.
- (2) I standby-läge, vrid reglaget åt vänster för att ställa in en tillagningstid med 100% effekt. Tryck sedan på "START/+30s" för att starta tillagningen.

10. Barnlås

Med denna funktion kan du förhindra att barn råkar sätta på ugnen av misstag.

För att aktivera låset:

I standby-läge, tryck och håll ned "STOP/Cancel" i tre sekunder. En lång ljudsignal hörs och låsikonen visas.

För att inaktivera låset:

I låst läge, tryck och håll in "STOP/Cancel" i tre sekunder, en ljudsignal hörs för att påminna om att låsningen är bruten och låsikonen visas inte.

11. Anropsfunktion

- (1) Om klockan har ställts in visas aktuell tid i tre sekunder om du trycker på "Clock" i tillagningsläget.
- (2) Tryck på "Microwave" för att visa effektnivån vid tillagning med mikrovågsugnsfunktionen. Tryck på "Grill/Combi." för att visa aktuellt tillagningsläge vid grill- och kombinationstillagning.

12. Auto Menu (Automatisk meny)

- (1) Tryck en gång på "Auto Menu" och sedan visas "A-1".
- (2) Tryck på "Auto Menu" upprepade gånger eller vrid på reglaget för att välja önskad meny.
Totalt finns 8 automatiska menyer tillgängliga.
- (3) Tryck på "START/+30s" för att bekräfta.
- (4) Vrid på reglaget för att ställa in matens vikt.
- (5) Tryck på "START/+30s." för att starta tillagningen.

Diagram över automatisk meny

Meny	Vikt/volym	Display	Effekt
A-1 Auto. Uppvärmning	200 g	200	P100
	400 g	400	
A-2 Kött	250 g	250	P100
	350 g	350	
	450 g	450	
A-3 Färska grönsaker	200 g	200	P100
	300 g	300	
	400 g	400	
A-4 Pasta	50g (med 450 g kallt vatten)	50	P80
	100g (med 800 g kallt vatten)	100	
A-5 Potatis	1 st (ca 230 g)	1	P100
	2 st	2	
	3 st	3	
A-6 Fisk	250 g	250	P80
	350 g	350	
	450 g	450	
A-7 Dryck	1 portion (120 ml)	1	P100
	2 portioner (240 ml)	2	
	3 portioner (360 ml)	3	
A-8 Popcorn	50 g	50	P100
	100 g	100	

FELSÖKNING

Normal	
Mikrovågsugnen stör TV-mottagningen	Radio- och TV-mottagning kan störas när mikrovågsugnen är i drift. Det liknar störningarna från små elektriska apparater, som matberedare, dammsugare och elektriska fläktar. Detta är normalt.
Dämpat ljus	Vid mikrovågstillagning med låg effekt kan ljuset bli svagt. Detta är normalt.
Ånga samlas på dörren, varm luft kommer ut från ventilen	Vid matlagning kan ånga komma ut ur maten. Det mesta kommer ut genom ventilerna. Men en del kan samlas på svala ställen som luckan. Detta är normalt.
Mikrovågsugnen startar oavsiktligt utan mat i.	Det är förbjudet att köra enheten utan någon mat i den. Det är mycket farligt.

Problem	Möjlig orsak	Åtgärd
Mikrovågsugnen kan inte startas.	(1) Nätkabeln är inte ordentligt inkopplad.	Dra ur kontakten. Sätt sedan i kontakten igen efter 10 sekunder.
	(2) Säkring gick eller krets brytaren utlöstes.	Byt säkring eller återställ krets brytaren (repareras av fackpersonal)
	(3) Problem med utlopp.	Testa uttaget med andra elektriska apparater.
Mikrovågsugnen värmer inte.	(4) Luckan är inte ordentligt stängd.	Stäng luckan ordentligt.

SPECIFIKATIONER

Modell:	POMW5023GB
Märkspänning:	230V~ 50Hz
Nominell ingångseffekt (mikrovågsugn):	1350W
Nominell uteffekt (mikrovågsugn):	900W
Nominell ingångseffekt (Grill):	1000W
Mikrovågsugnens kapacitet:	23L
Produktmått:	280mm (H) x 468mm (B) x 365mm (D)



Enligt direktivet om avfall från elektrisk och elektronisk utrustning (WEEE) ska WEEE samlas in och behandlas separat. Om du vid något tillfälle i framtiden behöver kassera denna produkt får du INTE kassera denna produkt tillsammans med hushållsavfall. Skicka denna produkt till WEEE-insamlingsställen där sådana finns.

Power International AS,
PO Box 523, N-1471 Lørenskog, Norway

Power Norge:
<https://www.power.no/kundeservice/>
T: 21 00 40 00

Power Danmark:
<https://www.power.dk/kundeservice/>
T: 70 33 80 80

Punkt 1 Danmark:
<https://www.punkt1.dk/kundeservice/>
T: 70 70 17 07

Power Finland:
<https://www.power.fi/tuki/asiakaspalvelu/>
T: 0305 0305

Power Sverige:
<https://www.power.se/kundservice/>
T: 08 517 66 000

