

point

25 Liter Microwave Oven

with Real Hot Air and Grill Function

POMW7025GB
User Manual

LIFE MADE EASIER

GB

Thank you for purchasing your new Point Microwave Oven. These operating instructions will help you use it properly and safely. We recommend that you spend some time reading this instruction manual in order that you fully understand all the operational features it offers. Read all the safety instructions carefully before use and keep this instruction manual for future reference.

NO

Takk for at du kjøpte ditt nye Point Mikrobølgeovn. Denne bruksanvisningen vil hjelpe deg med å bruke den på en trygg og riktig måte. Vi anbefaler at du tar deg tid til å lese gjennom hele bruksanvisningen for å bli fortrolig med alle funksjonene som tilbys. Les alle sikkerhetsanvisningene nøye før bruk, og oppbevar bruksanvisningen for fremtidig referanse.

FI

Kiitos, kun valitsit uuden Point-mikroaaltouunin. Nämä käyttöohjeet opastavat sinua käyttämään laitetta oikein ja turvallisesti. Suosittelemme, että käytät hetken tämän käyttöoppaan lukemiseen, jotta ymmärrät täysin, mitä toimintoja laitteessa on. Lue kaikki turvallisuusohjeet huolellisesti ennen laitteen käyttöä ja säilytä käyttöopas myöhempää käyttöä varten.

DK

Tak for købet af dit nye Mikrobølgeovn fra Point. Disse brugervejledninger hjælper dig med at bruge dette apparat rigtigt og sikkert. Vi anbefaler, at du læser denne brugervejledning, så du får en fuld forståelse af hvordan alle funktionerne virker. Læs sikkerhedsforskrifterne grundigt inden brug, og gem denne brugervejledning til senere brug.

SE

Tack för att du har köpt ditt nya Point Mikrovågsugn. Denna bruksanvisning hjälper dig att använda den på ett säkert och korrekt sätt. Vi rekommenderar att du tar dig tid att läsa igenom denna bruksanvisning för att till fullo förstå alla driftfunktioner som den erbjuder. Läs noga igenom alla säkerhetsinstruktioner före användning och spara bruksanvisningen för framtida bruk.

Instruction Manual - English	page	4 - 23
Bruksanvisning - Norsk	side	24 - 43
Käyttöopas - Suomi	sivu	44 - 63
Brugervejledning - Dansk	side	64 - 83
Bruksanvisning - Svenska	sida	84 - 103

GB

NO

FI

DK

SE

PRECAUTIONS TO AVOID POSSIBLE EXPOSURE TO EXCESSIVE MICROWAVE RADIATION

- a) Do not attempt to operate this microwave oven with the door open since this can result in harmful exposure to microwave radiation. It is important not to break or tamper with the safety interlocks.
- b) Do not place any object between the front face and the door of the microwave oven, or allow any oil or food residue to accumulate on sealing surfaces.
- c) **WARNING:** If the door or door sealing is damaged, do not operate the microwave oven until it has been repaired by a competent person.
- d) If the appliance is not maintained well in clean state, its surface could be degraded and this will affect its life span and even lead to a dangerous situation.

IMPORTANT SAFETY INSTRUCTIONS WARNING

To reduce the risk of fire, electric shock, injury or the exposure to excessive microwave oven radiation, follow basic precautions when using your appliance:

1. Read and follow the specific "PRECAUTIONS TO AVOID POSSIBLE EXPOSURE TO EXCESSIVE MICROWAVE RADIATION".
2. This appliance can be used by children aged from 8 years and above and persons with reduced physical, sensory or mental capabilities or lack of experience and knowledge if they have been given supervision or instruction concerning use of the appliance in a safe way and understand the hazards involved. Children shall not play with the appliance.

Cleaning and user maintenance shall not be made by children unless they are older than 8 and are supervised. Children younger than 8 years of age shall be kept away unless they are continuously supervised.

3. Keep the appliance and its supply cord out of reach of children younger than 8 years old.
4. If the supply cord is damaged, it must be replaced by the manufacturer, its service agent or similarly qualified persons in order to avoid a hazard (For appliance with type Y attachment).
5. **WARNING:** To avoid the possibility of electric shock, ensure that the appliance is switched off before replacing the lamp.
6. **WARNING:** The cover gives protection against exposure to microwave radiation, so it is hazardous for anyone other than a competent person to carry out any service or repair operation that involves the removal of it.

7. WARNING: Liquids and other foods must not be heated in sealed containers since they are liable to explode.
8. When heating food in plastic or paper containers, keep an eye on the microwave oven due to the possibility of ignition.
9. Only use utensils that are suitable for microwave ovens when operating.
10. If the microwave oven gives off smoke, switch off or unplug the appliance and keep the door closed in order to stifle any flames.
11. Microwave heating of beverages can result in subsequent eruptive boiling, therefore care must be taken when handling the container.
12. The contents of feeding bottles and baby food jars shall be stirred or shaken, and the temperature shall be checked before consumption, in order to avoid burns to baby.
13. Eggs in their shell and whole hard-boiled eggs should not be heated in microwave ovens, since they may explode, even after microwave heating has ended.
14. The appliance should be cleaned regularly and any food deposits should be removed.
15. Failure to maintain the appliance in a clean condition could lead to deterioration of the surface, and this could affect the life of the appliance and possibly result in a hazardous situation.
16. The appliance must not be installed behind a decorative door in order to avoid overheating. (This is not applicable for appliances with decorative door.)
17. Only use the temperature probe recommended for this appliance (for microwave provided with a facility to use a temperature-sensing probe).

18. The microwave oven shall not be placed in a cabinet unless it has been tested safe to use in a cabinet.
19. This appliance is intended to be used in a household and similar applications such as:
 - staff kitchen areas in shops, offices and other working environments;
 - by clients in hotels, motels and other residential environments;
 - farm houses;
 - simple environment in bed and breakfast kind.
20. The appliance is intended for heating food and beverages. Drying of food or clothing, and heating of warming pads, slippers, sponges, damp cloths and similar may lead to risk of injury, ignition or fire.
21. Metallic containers for food and beverages are not allowed during microwave cooking.
22. The appliance shall not be cleaned with a steam cleaner.
23. The appliance is intended to be used freestanding.
24. The rear surface of appliances shall be placed against a wall.
25. The appliances are not intended to be operated by means of an external timer or separate remote-control system.
26. The temperature of accessible surfaces may be high when the appliance is operating.
27. WARNING: When the appliance is operated in the combination mode, children should only use the appliance under adult supervision.

READ CAREFULLY AND KEEP FOR FUTURE REFERENCE.

**TO REDUCE THE RISK OF INJURY TO PERSONS,
INSTALL GROUNDING.**

DANGER

Electric Shock Hazard

Touching some of the internal components can cause serious personal injury or death. Do not disassemble this appliance.

WARNING

Electric Shock Hazard

Improper use of the grounding can result in electric shock. Do not plug it into an outlet until the appliance is properly installed and grounded.

This appliance must be grounded. In the event of an electrical short circuit, grounding reduces the risk of electric shock by providing an escape wire for the electric current. This appliance is equipped with a power cord having a grounding wire and grounding plug. The appliance must be plugged into an outlet that is properly installed and grounded.

Consult a qualified electrician or service man if the grounding instructions are not completely understood or if any doubt as to whether the appliance is properly grounded. If has to use an extension cord, only use a 3-wire extension cord.

1. A short power-The supply cord is provided to reduce the risks resulting from becoming entangled in or tripping over by a longer cord.

2. If a long cord set or extension cord is used:

- 1) The marked electrical rating of the cord set or extension cord should be at least as powerful as the electrical rating of the appliance.
- 2) The extension cord must be a grounding-type 3-wire cord.
- 3) The long cord should be arranged so that it will not drape over the counter top or table top where children may trip over by the cord.

CLEANING

Be sure to unplug the appliance from the power supply before cleaning.

1. Clean the cavity of the appliance after use with a slightly damp cloth.
2. Clean the accessories in soapy water.
3. The door frame and seal and neighbouring parts must be cleaned carefully with a damp cloth when they are dirty.
4. Do not use harsh abrasive cleaners or sharp metal scrapers to clean the appliance glass door since they can scratch the surface, which may result in shattering of the glass.
5. Cleaning tips---For easier cleaning of the cavity walls that are stained by the food during cooking: Place half a lemon in a bowl, add 300ml (1/2 pint) water and heat on 100% microwave power for 10 minutes. Wipe the oven clean using a soft, dry cloth.

UTENSILS

CAUTION

Personal Injury Hazard

The cover gives protection against exposure to microwave radiation, so it is hazardous for anyone other than a competent person to carry out any service or repair operation that involves the removal of it.

See the instructions on "Materials you can use or to be avoided in microwave oven ." Some non-metallic utensils are not safe to use for microwaving. If any doubt, you are suggested to test following steps below.

UTENSIL TEST:

1. Fill a microwave-safe container with a cup of cold water (250ml), and put the utensil in it.
2. Cook on maximum power for 1 minute.
3. Carefully feel the utensil. If the empty utensil is warm, do not use it for microwave cooking.
4. Do not exceed 1 minute when testing.

Materials you can use in a microwave oven

Utensils	Remarks
Browning dish	Follow the manufacturer's instructions. The bottom of the browning dish must be at least 3/16 inch (5mm) above the turntable. Incorrect usage may cause the turntable to break.
Dinnerware	Microwave-safe only. Follow manufacturer's instructions. Do not use cracked or chipped dishes.
Glass jars	Always remove lid. Use only to heat food until just warm. Most glass jars are not heat resistant and may break.
Glassware	Heat-resistant microwave oven glassware only. Make sure there is no metallic trim. Do not use cracked or chipped dishes.
Microwave oven cooking bags	Follow manufacturer's instructions. Do not close with metal tie. Make slits to allow steam to escape.
Paper plates and cups	Use for short-term cooking/warming only. Do not leave the microwave oven unattended while cooking.
Paper towels	Use to cover food for reheating and absorbing fat. Use with supervision for short-term cooking only.
Parchment paper	Use as a cover to prevent splattering or a wrap for steaming.
Plastic	Microwave-safe only. Follow the manufacturer's instructions. Should be labeled "Microwave Safe". Some plastic containers soften when they get hot. "Boiling bags" and tightly closed plastic bags should be slit, pierced or vented as directed by package.
Plastic wrap	Microwave-safe only. Use to cover food during cooking to retain moisture. Do not allow plastic wrap to touch food.
Thermometers	Microwave-safe only (meat and candy thermometers).
Wax paper	Use as a cover to prevent splattering and retain moisture.

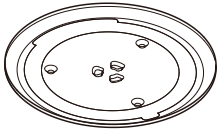
Materials to be avoided in a microwave oven

Utensils	Remarks
Aluminum tray	May cause deforming. Transfer food into a microwave-safe dish.
Food carton with metal handle	May cause deforming. Transfer food into a microwave-safe dish.
Metal or metal-trimmed utensils	Metal shields the food from microwave radiation. Metal trim may cause deforming.
Metal twist ties	May cause deforming and a fire in the cabinet.
Paper bags	May cause a fire in the microwave oven.
Plastic foam	Plastic foam may melt or contaminate the liquid inside when exposed to high temperature.
Wood	Wood will dry out when used in the microwave oven and may split or crack.

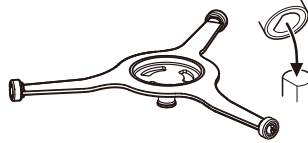
PRODUCT OVERVIEW

(In case of any differences between the appliance and the pictures in this manual, the product will prevail.)

Remove all package materials from the carton and the appliance.
Your microwave oven comes with following accessories:



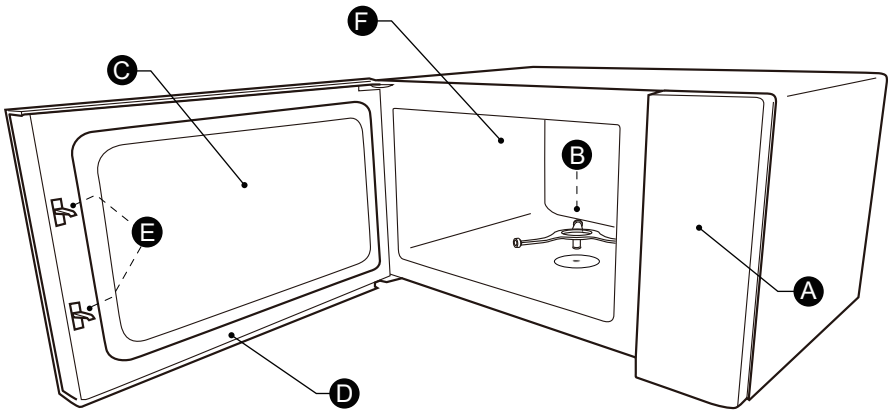
Glass Tray



Turntable Ring Assembly



Instruction Manual



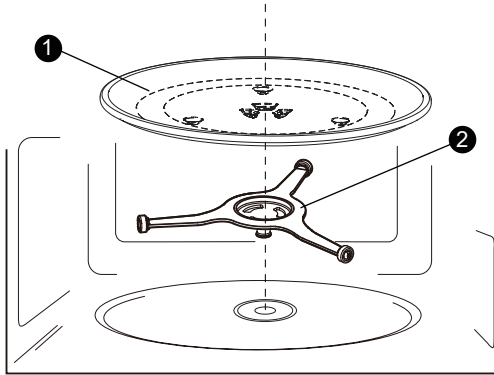
- A) Control panel
- B) Turntable Ring Assembly
- C) Observation window

- D) Door assembly
- E) Safety interlock system
- F) The cavity

BEFORE USE

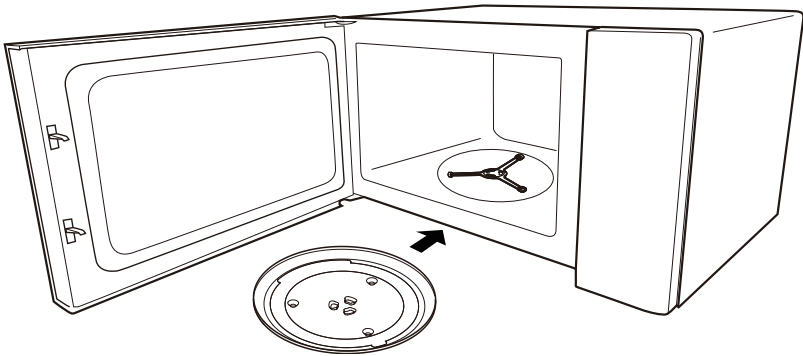
Cleaning the cooking compartment and putting the turntable in place.

For new installations, make sure all packaging and shipping tape has been removed. Before using the appliance to prepare food for the first time, you will need to put the turntable in place correctly. You must clean the cooking compartment and accessories.



1) Glass Tray

2) Turntable Ring Assembly



Notes :

1. Never use the appliance without the turntable. Make sure that it is properly engaged. The turntable can turn clockwise or anti-clockwise.
2. Never place the glass tray upside down. The glass tray should never be restricted.
3. Both glass tray and turntable ring assembly must always be used during cooking.
4. All food and containers of food have to be placed on the glass tray for cooking.
5. Never restrict the movement of the turntable.
6. If glass tray or turntable ring assembly cracks or breaks, contact your nearest authorized service center.

INSTALLATION

Turntable Installation

Remove all packing material and accessories.

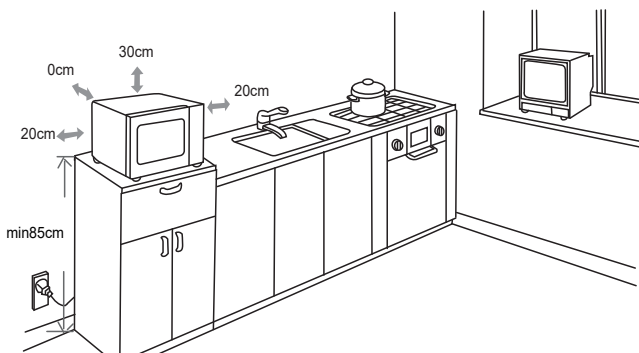
Examine the microwave oven for any damage such as dents or a broken door. Do not install if the microwave oven is damaged.

Cabinet: Remove any protective film found on the microwave oven cabinet surface.

Do not remove the light brown Mica cover that is attached to the microwave oven cavity to protect the magnetron.

Installation

1. Select a level surface that provides enough open space for the intake and / or outlet vents.



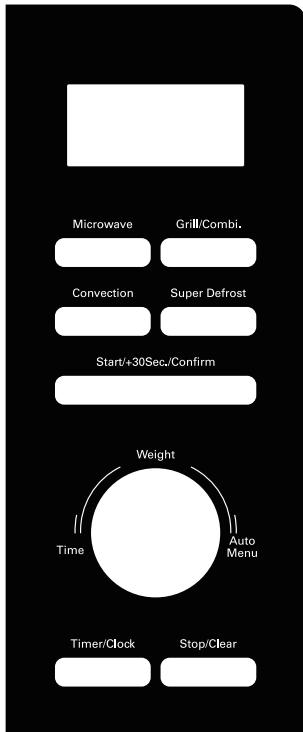
- (1) The minimum installation height is 85cm.
 - (2) The rear surface of the microwave oven should be placed against a wall.
 - (3) Leave a minimum clearance of 30cm above the microwave oven, and a minimum clearance of 20cm between the microwave oven and any adjacent walls.
 - (4) Do not remove the legs from the bottom of the microwave oven.
 - (5) Blocking the intake and/ or outlet openings can damage the microwave oven.
 - (6) Place the microwave oven as far away from radios and TVs as possible. Operation of a microwave oven may cause interference to your radio or TV reception.
2. Plug your microwave oven into a standard household outlet. Be sure the voltage and the frequency are the same as the voltage and the frequency on the rating label.

WARNING: Do not install the microwave oven over a cooktop or other heat-producing microwave oven. If installed near or over a heat source, the microwave oven could be damaged and the warranty will be void.



The accessible surface may be hot during operation.

CONTROL PANEL



Display:

Time, power and indicators are displayed.

Microwave:

Microwave function and power level setting.

Grill/Combi.:

Grill function or grill and microwave combination.

Convection:

Convection function setting.

Super Defrost:

Defrost by time or weight.

Start/+30Sec./Confirm:

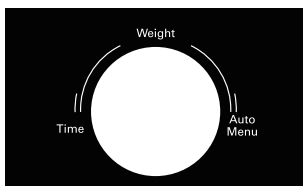
Start/confirm program, or quick start cooking in standby mode at full power level.

Timer/Clock:

Timer or clock setting.

Stop/Clear:

Stop or cancel program.



An addition to other keys when adjusting power level, cooking time, defrosting time or weight, etc.

OPERATION

1. Setting the Clock

- (1) Press “Timer/Clock” twice and then “00:00” will display.
- (2) Turn the knob to set the hour, it should be within 0-23.
- (3) Press “Timer/Clock” to confirm.
- (4) Turn the knob to set the minute, it should be within 0-59.
- (5) Press “Timer/Clock” to confirm. The clock is set.

Notes:

- (1) The clock is a 24-hour display. If the clock is not set, it would not work when powered.
- (2) To reset the clock, please repeat step 1 to step 5.
- (3) After step 4, if the “Timer/Clock” is not pressed and there is no operation within 5 minutes, the setting is invalid.

2. Setting the Kitchen Timer

- (1) Press “Timer/Clock” once and then “00:00” will display.
- (2) Turn the knob to set the desired time. The maximum time value is “95:00”.
- (3) Press “Start/+30Sec./Confirm” to confirm. The timer starts counting down.

Note: No programs can be set during kitchen timer.

3. Microwave Cooking

Power levels

Power Level	100%	80%	50%	30%	10%
Display	P100	P80	P50	P30	P10

- (1) Press “Microwave” and then “P100” will display.
- (2) Press “Microwave” repeatedly or turn the knob to set the power level. The 5 power levels are available.
- (3) Press “Start/+30Sec./Confirm” to confirm the power level.
- (4) Turn the knob to adjust the cooking time. The maximum time value is “95:00”.
- (5) Press “Start/+30Sec./Confirm” to start cooking.

Note: Opening the oven door or pressing “Stop/Clear” during operation will interrupt the current mode.

4. Grill Cooking

- (1) Press "Grill/Combi." and then "G-1" will display, then press "Start/+30Sec./Confirm".
- (2) Turn the knob to set the cooking time. The maximum time value is "95:00".
- (3) Press "Start/+30Sec./Confirm" to start cooking.

Note: When half of the time has passed, the buzzer will sound to remind you to turn the food over. If no operation, the oven will continue working.

5. Combination Cooking

- (1) Press "Grill/Combi." once and then "G-1" will display. And then press "Grill/Combi." repeatedly or turn the knob to choose the power you want, "C-1", "C-2", "C-3" and "C-4" will display in order.
- (2) Press "Start/+30Sec./Confirm" to confirm.
- (3) Turn the knob to set cooking time. The maximum time value is "95:00".
- (4) Press "Start/+30Sec./Confirm" to start cooking.

Instructions	Display	Microwave	Grill	Convection
1	C-1	●		●
2	C-2	●	●	
3	C-3		●	●
4	C-4	●	●	●

6. Convection Cooking with Preheat Function

- (1) Press "Convection" once and then "150 C" will display.
- (2) Press "Convection" repeatedly or turn the knob to set temperature. 10 options are available, including 150, 160, 170, 180, 190, 200, 210, 220, 230, 240 C.
- (3) Press "Start/+30Sec./Confirm" to confirm the temperature.
- (4) Press "Start/+30Sec./Confirm" again to enter preheating setting.
- (5) When preheating is completed, the oven will beep twice. Open the door and place food in the oven.
- (6) Close the oven door.
- (7) Turn the knob to set the cooking time. The maximum time value is "95:00".
- (8) Press "Start/+30Sec./Confirm" to start cooking.

7. Convection Cooking without Preheat Function

- (1) Press “Convection” once and then “150 °C” will display.
- (2) Press “Convection” repeatedly or turn the knob to set temperature. 10 options are available, including 150, 160, 170, 180, 190, 200, 210, 220, 230, 240 °C.
- (3) Press “Start/+30Sec./Confirm” to confirm the temperature.
- (4) Turn the knob to set the cooking time. The maximum time value is “95:00”.
- (5) Press “Start/+30Sec./Confirm” to start cooking.

8. Defrost by Weight

- (1) Press “Super Defrost” once and then the screen will display “dEF1”.
- (2) Turn the knob to set the weight of food. The range of the weight is 100-2000g.
- (3) Press “Start/+30Sec./Confirm” to start defrosting.

Note: The buzzer will sound to remind you to turn the food over during defrosting.
If no operation, the oven will continue working.

9. Defrost by Time

- (1) Press “Super Defrost” twice and then the screen will display “dEF2”.
- (2) Turn the knob to set the desired defrost time. The maximum time value is “95:00”.
- (3) Press “Start/+30Sec./Confirm” to start defrosting.

Notes:

- (1) When half of the time has passed, the buzzer will sound to remind you to turn the food over.
If no operation, the oven will continue working.
- (2) The defrost power is P30 and it cannot be changed.

10. Multi-Stage Cooking

Notes:

- (1) Two cooking stages can be set in multi-stage cooking.
- (2) If you set defrost function, it will work automatically in the first stage.
- (3) Kitchen Timer, Auto menu cannot be set as one of the multi-stage.

Example: Defrost food for 5 minutes and then cook with 80% microwave power for 7 minutes.

- (1) Press “Super Defrost” twice and then the screen will display “dEF2”.
- (2) Turn the knob to set the desired defrost time of 5 minutes.
- (3) Press “Microwave” and then “P100” will display.
- (4) Turn the knob to set the power level of P80.
- (5) Press “Start/+30Sec./Confirm” to confirm the power level.
- (6) Turn the knob to set the cooking time of 7 minutes.
- (7) Press “Start/+30Sec./Confirm” to start cooking.

11. Speedy Cooking

- (1) In standby mode, press “Start/+30Sec./Confirm” to cook food with 100% power level for 30 seconds. Each press on the same key can increase 30 seconds and the maximum time value is 95 minutes.
- (2) In standby mode, turn the knob left to set a cooking time with 100% power. Continue to turn the knob to adjust the cooking time. Then press “Start/+30Sec./Confirm” to start cooking.

12. Lock Function for Children

You can use this function to prevent children from accidentally turning the appliance on.

To activate the lock:

In standby mode, press and hold “Stop/Clear” for three seconds. A beep sounds and the locked icon will display.

To deactivate the lock:

In locked state, press and hold “Stop/Clear” for three seconds a beep will sound to remind dis-lock and the lock icon will not display.

13. Inquiring Function

- (1) If the clock has been set, the current time will display for three seconds by pressing “Timer/Clock” in the cooking state.
- (2) In the microwave cooking state, press “Microwave” to inquire the power level. It will display for three seconds. In the grilling state, the inquiring way can be done by the same way as above.

14. Auto menu

- (1) Turn the knob right to “Auto Menu” and then “A-01” will display.
- (2) Continue to turn the knob to choose the menu you need. 10 auto menus are available.
- (3) Press “Start/+30Sec./Confirm” to confirm.
- (4) Turn the knob to set the weight of food.
- (5) Press “Start/+30Sec./Confirm” to start cooking.

Notes:

- (1) Opening the oven door or pressing “Stop/Clear” during operation will interrupt the current mode.
- (2) It is necessary to turn the knob right first in the standby mode for selecting “Auto Menu”. Turning the knob left first will enter the cooking time of speed cooking.
- (3) The buzzer will sound to remind of turning over the food during the menu of A-10.

Auto menu chart

Menu	Weight / Quantity	Display	Power
A1 AUTO REHEAT	150g	150g	100%
	250g	250g	
	350g	350g	
	450g	450g	
	600g	600g	
A2 POTATO	1pc(about 230g)	1	100%
	2pcs(about 450g)	2	
	3pcs(about 650g)	3	
A3 MEAT	150g	150g	80%
	300g	300g	
	450g	450g	
	600g	600g	
A4 VEGETABLE	150g	150g	100%
	350g	350g	
	500g	500g	
A5 FISH	150g	150g	80%
	250g	250g	
	350g	350g	
	450g	450g	
	650g	650g	
A6 PASTA	50g(with 450g cold water)	50g	80%
	100g(with 800g cold water)	100g	
	150g(with 1200g cold water)	150g	
A7 SOUP	200g	200g	100%
	400g	400g	
	600g	600g	
A8 CAKE	475g	475g	preheat 160 C Convection 160 C
A9 PIZZA	100g	100g	C -4
	200g	200g	
	300g	300g	
A10 CHICKEN	500g	500g	C -4/C-4
	750g	750g	
	1000g	1000g	
	1200g	1200g	

TROUBLE SHOOTING

Normal	
Microwave oven interfering TV reception	Radio and TV reception may be interfered when microwave oven operating. It is similar to the interference of small electrical appliances, like mixer, vacuum cleaner, and electric fan. It is normal.
Dim light	In low power microwave cooking, the light may become dim. It is normal.
Steam accumulating on the door, hot air coming out from the vent	In cooking, steam may come out of food. Most will get out from vents. But some may accumulate on cool place like the door. It is normal.
Microwave oven starts accidentally with no food in.	It is forbidden to run the unit without any food inside. It is very dangerous.

GB

Trouble	Possible Cause	Remedy
Microwave oven cannot be started.	(1) Power cord is not plugged in tightly.	Unplug. Then plug again after 10 seconds.
	(2) Fuse blowing or circuit breaker works.	Replace fuse or reset circuit breaker (repair by professional personnel)
	(3) Trouble with outlet.	Test outlet with other electrical appliances.
Microwave oven does not heat.	Door is not closed well.	Close door well.

SPECIFICATION

Model:	POMW7025GB
Rated Voltage:	230V~ 50Hz
Rated Input Power(Microwave):	1350W
Rated Output Power(Microwave):	900W
Rated Input Power(Grill):	1000W
Rated Input Power(Convection):	2100W
Microwave Oven Capacity:	25L
Product Dimensions:	290mm (H) x 495mm (W) x 439mm (D)



According to Waste of Electrical and Electronic Equipment (WEEE) directive, WEEE should be separately collected and treated. If at any time in future you need to dispose of this product please do NOT dispose of this product with household waste. Please send this product to WEEE collecting points where available.

Power International AS,
PO Box 523, N-1471 Lørenskog, Norway

Power Norge:
<https://www.power.no/kundeservice/>
T: 21 00 40 00

Power Danmark:
<https://www.power.dk/kundeservice/>
T: 70 33 80 80

Punkt 1 Danmark:
<https://www.punkt1.dk/kundeservice/>
T: 70 70 17 07

Power Finland:
<https://www.power.fi/tuki/asiakaspalvelu/>
T: 0305 0305

Power Sverige:
<https://www.power.se/kundservice/>
T: 08 517 66 000

FORHOLDSREGLER FOR Å UNNGÅ MULIG EKSPONERING FOR OVERDREVEN MIKROBØLGEENERGI:

- a) Ikke forsøk å bruke ovnen når døren er åpen, da dette kan føre til skadelig eksponering for mikrobølgeenergi. Det er viktig å ikke ødelegge eller tukle med sikkerhetsfestene.
- b) Ikke plasser gjenstander mellom forsiden og døren på mikrobølgeovnen eller la olje eller matrester samle seg på tetningsflatene.
- c) ADVARSEL: Hvis døren eller dørpakningen er skadet, skal ikke mikrobølgeovnen brukes før den er reparert av fagperson.
- d) Hvis apparatet ikke holdes rent, kan overflaten bli forringet, og dette vil påvirke levetiden og kan til og med føre til en farlig situasjon.

ADVARSEL OM VIKTIGE SIKKERHETSANVISNINGER

For å redusere risikoen for brann, elektrisk støt, skade eller eksponering for overdreven mikrobølgeovnsenergi må grunnleggende forholdsregler følges når man bruker apparatet:

1. Les og følg de spesifikke «FORHOLDSREGLER FOR Å UNNGÅ MULIG EKSPONERING FOR OVERDREVEN MIKROBØLGEENERGI».
2. Dette apparatet kan brukes av barn over 8 år og personer med reduserte fysiske-, sensoriske- eller mentale evner eller mangel på erfaring og kunnskap hvis de er under tilsyn eller har mottatt anvisning om bruk av apparatet på en sikker måte og forstår farene dette innebærer. Barn må ikke leke med apparatet. Barn skal ikke foreta rengjøring og vedlikehold med mindre de er åtte år eller eldre og under tilsyn. Barn under 8 år må holdes unna med mindre de er under konstant tilsyn.
3. Hold apparatet og strømledningen utilgjengelige for barn under 8 år.
4. Hvis strømledningen er skadet, må den skiftes av produsenten, en autorisert serviceagent eller tilsvarende kvalifisert person for å hindre fare. (Gjelder apparat med type Y-tilbehør.)
5. ADVARSEL: For å unngå elektrisk støt må du sørge for at apparatet er slått av før du bytter lampen.
6. ADVARSEL: Dekselet gir beskyttelse mot eksponering for mikrobølgeenergi, så det er farlig for andre enn en kompetent person å utføre service- eller reparasjonsoperasjoner som involverer at det fjernes.
7. ADVARSEL: Væsker og andre matvarer må ikke oppvarmes i lukkede beholdere, da de kan eksplodere.

8. Ved oppvarming av mat i plast- eller papirbeholdere må du holde øye med mikrobølgeovnen, da det kan ta fyr.
9. Bruk kun redskaper som er egnet for bruk i mikrobølgeovn.
10. Hvis mikrobølgeovnen gir fra seg, må du slå av eller koble fra apparatet og holde døren lukket for å kvele eventuelle flammer.
11. Oppvarming av drikkevarer i mikrobølgeovn kan føre til påfølgende eksplosjonsartet koking. Derfor må man være forsiktig når man håndterer beholderen.
12. Innholdet i tåteflasker og babymatglass skal røres eller ristes og temperaturen sjekkes før bruk for å unngå at barn får brannskader.
13. Egg i skallet og hele hardkokte egg skal ikke varmes opp i mikrobølgeovner, da de kan eksplodere selv etter at de er ferdig oppvarmet i mikrobølgeovnen.
14. Apparatet må rengjøres regelmessig, og alle matrester må fjernes.
15. Hvis apparatet ikke holdes rent, kan det føre til nedbrytning av overflaten og muligens redusert levetid og farlige situasjoner.
16. Apparatet må ikke installeres bak en dekorativ dør for å unngå overoppheting. (Dette gjelder ikke for apparater med dekorativ dør.)
17. Bruk kun temperatursonden som er anbefalt for dette apparatet (hvis mikrobølgeovnen har en funksjon for å bruke en temperaturfølede sonde).
18. Mikrobølgeovnen skal ikke plasseres i et skap, med mindre den er testet til å trygt kunne brukes i et skap.

19. Dette apparatet er beregnet for bruk i husholdninger og lignende bruksområder som:
 - personalrom i butikker, på kontorer og andre arbeidsplasser;
 - av gjester i hoteller, moteller og andre bosteder;
 - gårdsbruk;
 - enkle overnattingssteder.
20. Apparatet er beregnet for oppvarming av mat og drikkevarer. Tørking av klær og oppvarming av varmeputer, tøfler, svamper, fuktige kluter og lignende kan medføre personskaade, antennelse eller brann.
21. Mat- og drikkebeholdere i metall skal ikke brukes i mikrobølgeovn.
22. Apparatet skal ikke rengjøres med en damprenser.
23. Apparatet er kun beregnet på frittstående bruk.
24. Baksiden av apparatet skal plasseres mot en vegg.
25. Apparatene er ikke beregnet på drift ved hjelp av et eksternt tidsur eller et separat fjernkontrollsystem.
26. Temperaturen på overflater i nærheten av apparatet kan bli høy når det er i bruk.
27. ADVARSEL: Når apparatet brukes i kombimodus, skal ikke barn bruke apparatet uten oppsyn av voksne.

LES NØYE OG BEHOLD FOR FREMTIDIG REFERANSE.

INSTALLER JORDING FOR Å REDUSERE RISIKOEN FOR SKADE PÅ PERSONER.

FARE

Fare For Elektrisk Støt

Hvis man tar på noen av de interne komponentene, kan det føre til alvorlig personskade eller død. Ikke ta apparatet fra hverandre.

ADVARSEL

Fare For Elektrisk Støt

Feil bruk av jording kan føre til elektrisk støt. Ikke koble til stikkontakt før apparatet er riktig installert og jordet. Dette apparatet må jordes. Ved elektrisk kortslutning reduserer jording risikoen for elektrisk støt ved at det opprettes en utvei for den elektriske strømmen.

Dette apparatet har en strømledning med jordet støpsel. Apparatet må kobles til en stikkontakt som er riktig montert og jordet.

Hør med en kvalifisert elektriker eller installatør hvis du ikke forstår instruksjonene om jording eller hvis du ikke er sikker på om mikrobølgeovnen er forsvarlig jordet. Hvis du må bruke skjøteledning, må du bruke en skjøteledning med jording.

1. Det følger med en **kort strømledning** for å redusere risikoen for at den blir viklet inn i en annen ledning eller at man snubler over den.
2. **Hvis det brukes en lang ledning eller skjøteledning:**
 - 1) I så fall må markert elektrisk verdi til ledningen eller skjøteledningen være minst like stor som apparatets elektriske klassifisering.
 - 2) Skjøteledningen må ha jording.
 - 3) En lang ledning må plasseres slik at den ikke faller over benkeplaten eller bordplaten, der barn kan snuble i den.

RENGJØRING

Trekk alltid støpslet ut av stikkkontakten før du rengjør apparatet.

1. Rengjør utsiden av apparatet med en lett fuktet klut.
2. Rengjør tilbehør i såpevann.
3. Dørkarm og pakning og tilstøtende deler må rengjøres forsiktig med en fuktig klut når de er skitne.
4. Ikke bruk skurende rengjøringsmidler eller skarpe skrapegjenstander av metall til å rengjøre glassdøren til apparatet, da dette kan ripe opp glasset og føre til at glasset knuses.
5. Rengjøringstips---for å enklere rengjøre veggene på innsiden som blir flekkete av maten under tilberedning: Ha en halv sitron i en bolle, tilsett 300 ml (1/2 halvliter) vann og varm opp med 100 % mikrobølgeovn i 10 minutter. Tørk av ovnen med en myk, tørr klut.

REDSKAP

FORSIKTIG

Fare for personskade

Dekselet gir beskyttelse mot eksponering for mikrobølgeenergi, så det er farlig for andre enn en kompetent person å utføre service- eller reparasjonsoperasjoner som involverer at det fjernes.

Se instruksjonene under «Materialer man kan bruke eller som bør unngås i mikrobølgeovn.» Noen ikke-metalliske redskaper er ikke trygge å bruke i mikrobølgeovn. Hvis du er i tvil, anbefales du å teste følgende trinn nedenfor.

TESTE REDSKAP:

1. Fyll en mikrobølgeovnsikker beholder med en kopp kaldt vann (250 ml), og sett redskapet i den.
2. Kok på maksimal kraft i 1 minutt.
3. Kjenn forsiktig på redskapet. Hvis det tomme redskapet er varmt, skal det ikke brukes i mikrobølgeovn.
4. Ikke test i over 1 minutt.

Materialer du kan bruke i mikrobølgeovnen

Redskaper	Merknader
Bruningsfat	Følg produsentens instruksjoner. Bunnen av bruningsfatet må være minst 5 mm over dreieplaten. Feil bruk kan føre til at dreieplaten går i stykker.
Servise	Kun mikrobølgeovnsfast. Følg produsentens instruksjoner. Ikke bruk servise med sprekker eller hakk.
Glassmugger	Ta alltid av lokket. Bruk kun til å varme opp maten til den er varm. De este glasskrukker er ikke varmebestandige og kan gå i stykker.
Glasstøy	Kun varmebestandig glasstøy til mikrobølgeovn. Kontroller at det ikke er metallkant. Ikke bruk servise med sprekker eller hakk.
Kokeposer til mikrobølgeovn	Følg produsentens instruksjoner. Ikke lukk med metallbånd. Lag åpninger slik at damp slipper ut.
Papirtallerkener og kopper	Bruk kun til kortvarig matlaging/oppvarming. Ikke la ovnen stå uten tilsyn under matlaging.
Tørkepapir	Brukes til å dekke til mat for å varme opp og absorbere fett. Bruk kun under tilsyn for kortvarig matlaging.
Pergamentpapir	Bruk som lokk for å forhindre sprut eller som innpakning for damping.
Plast	Kun mikrobølgeovnsfast. Følg produsentens instruksjoner. Bør være merket «Mikrobølgeovnsfast». Noen plastbeholdere mykner når de blir varme. Kokeposer og forseglede plastposer må snittes, perforeres eller ventileres som anvist på pakningen.
Plastfolie	Kun mikrobølgeovnsfast. Brukes til å dekke til maten under tilberedning for å holde på fuktigheten. Ikke la plastfolie berøre maten.
Termometer	Kun mikrobølgeovnsikker (steketermometer).
Vokspapir	Bruk som lokk for å forhindre sprut eller holde på fuktigheten.

NO

Materialer som må unngås i mikrobølgeovnen

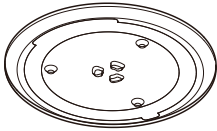
Merknader om redskaper	Merknader
Aluminiumsbrett	Kan forårsake deformering. Legg maten over på et mikrobølgeovnsfast fat.
Mateske med metallhåndtak	Kan forårsake deformering. Legg maten over på et mikrobølgeovnsfast fat.
Bestikk i metall eller med metallkant	Metall beskytter maten mot mikrobølgeenergi. Metallkanter kan forårsake deformering.
Metallbånd	Kan forårsake deformering og brann i skapet.
Papirposer	Kan forårsake brann i mikrobølgeovnen.
Skumplast	Skumplast kan smelte eller forurense væsken inni når den utsettes for høy temperatur.
Treverk	Treverk vil tørke ut når det brukes i mikrobølgeovn og kan splitte eller sprekke.

PRODUKTOVERSIKT

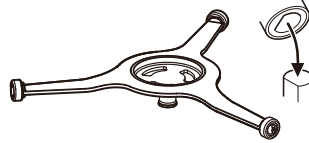
(Hvis det er forskjeller mellom apparatet og bildene i denne håndboken, er det produktet som gjelder.)

Fjern alt emballasjemateriale fra kartongen og apparatet.

Mikrobølgeovnen leveres med følgende tilbehør:



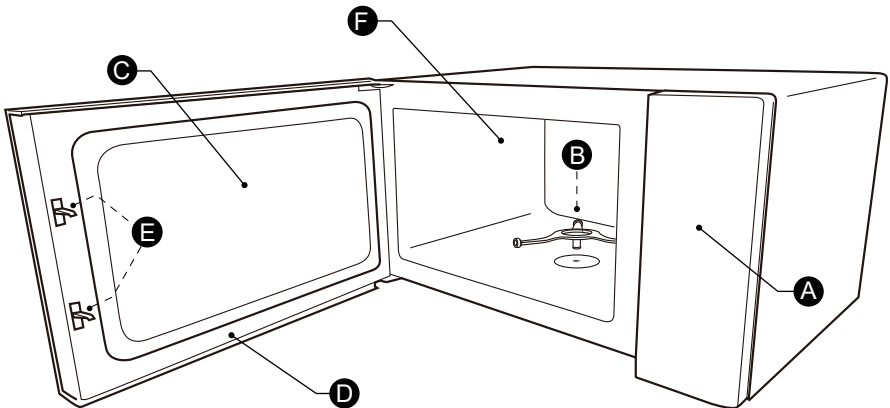
Glassbrett



Dreieplateringenhet



Bruksanvisning



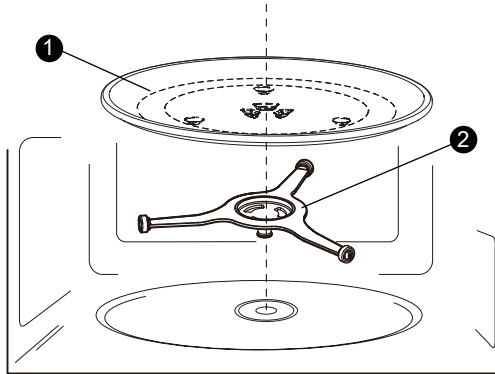
- A) Kontrollpanel
- B) Dreieplate Ringeenhet
- C) Observasjonsvindu

- D) Dørenhet
- E) Sikkerhetssperre system
- F) Ovnsrom

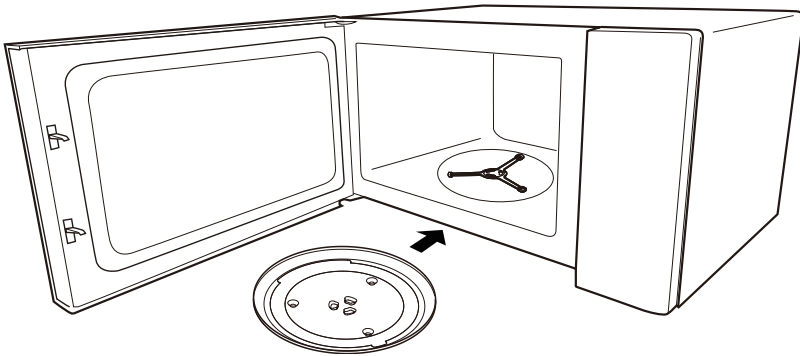
FØR BRUK

Rengjør ovnsrommet og sett på plass dreieplaten.

For nye installasjoner må man sørge for at all emballasje og teip er fjernet. Før du bruker apparatet til å tilberede mat for første gang, må du sette dreieplaten på plass riktig. Du må rengjøre ovnsrommet og tilbehøret.



- 1) Glassbrett
- 2) Dreieplate ringenhet



Merknader:

1. Bruk aldri apparatet uten dreieplaten. Sørg for at den er ordentlig satt på. Dreieplaten kan dreie med eller mot klokken.
2. Sett aldri glassbrettet opp ned. Glassbrettet skal aldri holdes fast.
3. Man må alltid bruke både glassbrett og dreieplateringenheten under matlaging.
4. Mat og matbeholdere må plasseres på glassbrettet for matlaging.
5. Begrens aldri bevegelsen til dreieplaten.
6. Kontakt ditt nærmeste autoriserte servicesenter hvis glassbrettet eller dreieplateringen sprekker eller går i stykker.

INSTALLASJON

Montere dreieplaten

Fjern all emballasje og tilbehør.

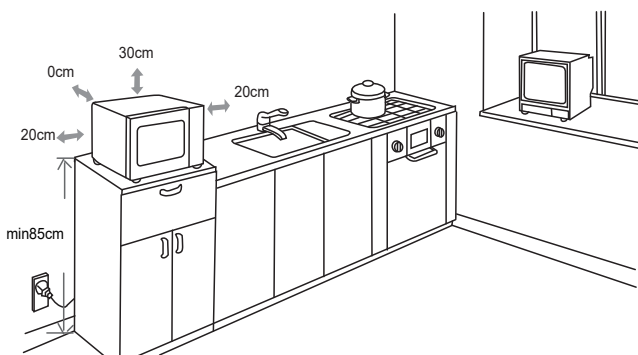
Se etter skader på mikrobølgeovnen, som bulker eller en ødelagt dør. Ikke monter hvis mikrobølgeovnen er skadet.

Skap: Fjern beskyttelsesfilm på overflaten av mikrobølgeovnens kabinett.

Ikke fjern det lysebrune glimmer dekselet som er festet til mikrobølgeovn rommet for å beskytte magnetronen.

Installasjon

1. Velg en jevn overflate med nok åpen plass for inntaks- og/eller utløpsventiler.



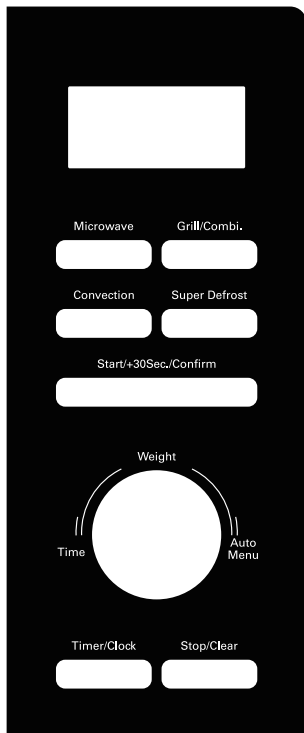
- (1) Minste installasjonshøyde er 85 cm.
 - (2) Baksiden av mikrobølgeovnen skal plasseres mot en vegg.
 - (3) La det være minst 30 cm over mikrobølgeovnen og minst 20 cm mellom mikrobølgeovnen og eventuelle tilstøtende vegger.
 - (4) Ikke fjern benene fra bunnen av mikrobølgeovnen.
 - (5) Hvis inntaks- og/eller utløpsåpningene blir blokkert, kan det skade mikrobølgeovnen.
 - (6) Plasser mikrobølgeovnen så langt unna radioer og TV som mulig. Bruk av mikrobølgeovnen kan forårsake forstyrrelser på radio- eller TV-mottak.
2. Koble mikrobølgeovnen til en vanlig stikkontakt. Sørg for at spenningen og frekvensen er den samme som spenningen og frekvensen på merkeetiketten.

ADVARSEL: Ikke installer mikrobølgeovnen over en platetopp eller annet varmeproduserende apparat. Hvis den installeres nær en varmekilde, kan mikrobølgeovnen bli skadet, og garantien gjøres ugyldig.



Tilgjengelige overflater kan bli varme under drift.

KONTROLLPANEL



Display:

Tid, strøm og indikatorer vises.

Microwave (Mikrobølge):

Mikrobølgefunksjon og innstilling av effektnivå.

Grill/Combi.:

Grillfunksjon eller kombinasjon av grill og mikrobølgeovn.

Convection (Varmluft):

Bruk til å stille inn varmluftsfunksjon.

Super Defrost (Supertining):

Opptining etter tid eller vekt.

Start/+30Sec./Confirm (Bekreft):

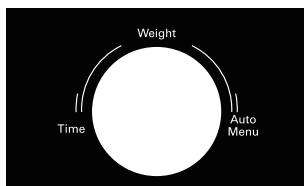
Start/bekreft programmet eller hurtigstart tilberedning fra ventemodus på fullt effektnivå.

Timer/Clock (Tidtaker/Klokke):

Still inn tidtaker eller klokke.

Stop/Clear (Stopp/Tøm):

Stopp eller avbryt programmet.



Brukes med andre knapper til justering av effektnivå, tid for tilberedning, tid eller vekt for opptining osv.

DRIFT

1. Stille inn klokken

- (1) Trykk «Timer/Clock» to ganger, så vises «00:00».
- (2) Vri knotten for å stille inn timen. Den skal være innenfor 0-23.
- (3) Trykk «Timer/Clock» for å bekrefte.
- (4) Vri knotten for å stille inn minuttet. Det skal være innenfor 0-59.
- (5) Trykk «Timer/Clock» for å bekrefte. Klokken er innstilt.

Merknader:

- (1) Klokken viser 24 timer. Hvis klokken ikke er stilt inn, vil den ikke fungere når ovnen er slått på.
- (2) For å tilbakestille klokken gjentar du trinn 1 til trinn 5.
- (3) Hvis ikke «Timer/Clock» trykkes etter trinn 4, og ingenting annet gjøres på 5 minutter, er innstillingen ugyldig.

2. Stille inn tidtakeren

- (1) Trykk «Timer/Clock» én gang, så vises «00:00».
- (2) Vri knotten for å stille inn tiden. Maksimumsverdien for tid er «95:00».
- (3) Trykk «Start/+30Sec./Confirm» for å bekrefte. Tiden begynner å telle ned.

Merk: Ingen programmer kan stilles inn under tidtakeren.

3. Tilberedning med mikrobølger

Effektnivåer

Effektnivå	100%	80%	50%	30%	10%
Display	P100	P80	P50	P30	P10

- (1) Trykk «Microwave» én gang, så vises «P100».
- (2) Trykk «Microwave» flere ganger eller vri knotten for å stille inn effektnivået. Det er 5 effektnivåer.
- (3) Trykk «Start/+30Sec./Confirm» for å bekrefte effektnivået.
- (4) Vri knotten for å justere tilberedningstiden. Maksimumsverdien for tid er «95:00».
- (5) Trykk «Start/+30Sec./Confirm» for å starte tilberedning.

Merk: Hvis man åpner døren eller trykker «Stop/Clear» under drift, vil det avbryte gjeldende modus.

4. Grilltilberedning

- (1) Trykk «Grill/Combi.» så vises «G-1». Trykk deretter «Start/ +30Sec./ Confirm».
- (2) Vri knotten for å stille inn tilberedningstiden. Maksimumsverdien for tid er «95:00».
- (3) Trykk «Start/+30Sec./ Confirm» for å starte tilberedning.

Merk: Når halvparten av tiden har gått, kommer en lyd for å minne deg på å snu maten. Hvis det ikke skjer noe, vil ovnen fortsette.

5. Kombinasjons tilberedning

- (1) Trykk «Grill/Combi.» en gang, så vises «G-1». Trykk deretter «Grill/Combi.» gjentatte ganger eller vri knotten for å velge effekten du ønsker, i rekkefølgen: «C-1», «C-2», «C-3» og «C-4».
- (2) Trykk «Start/+30Sec./ Confirm» for å bekrefte.
- (3) Vri knotten for å stille inn tilberedningstiden. Maksimumsverdien for tid er «95:00».
- (4) Trykk «Start/+30Sec./ Confirm» for å starte tilberedning.

Merk: Kombinasjons veiledning

Instruksjoner	Display	Mikrobølge	Rist	Varmluft
1	C-1	●		●
2	C-2	●	●	
3	C-3		●	●
4	C-4	●	●	●

NO

6. Varmluft med forvarming

- (1) Trykk «Convection» én gang, så vises «150 °C».
- (2) Trykk «Convection» flere ganger eller vri knotten for å stille inn temperaturen. Det er 10 alternativer tilgjengelige: 150, 160, 170, 180, 190, 200, 210, 220, 230, 240 °C.
- (3) Trykk «Start/+30Sec./ Confirm» for å bekrefte temperaturen.
- (4) Trykk «Start/+30Sec./ Confirm» igjen for å gå inn i forvarmingsinnstilling.
- (5) Når forvarmingen er fullført, vil ovnen pipe to ganger. Åpne døren og sett maten i ovnen.
- (6) Lukk døren.
- (7) Vri knotten for å stille inn tilberedningstiden. Maksimumsverdien for tid er «95:00».
- (8) Trykk «Start/+30Sec./ Confirm» for å starte tilberedning.

7. Varmluft uten forvarming

- (1) Trykk «Convection» én gang, så vises «150 °C».
- (2) Trykk «Convection» flere ganger eller vri knotten for å stille inn temperaturen. Det er 10 alternativer tilgjengelige: 150, 160, 170, 180, 190, 200, 210, 220, 230, 240 °C.
- (3) Trykk «Start/+30Sec./ Confirm» for å bekrefte temperaturen.
- (4) Vri knotten for å stille inn tilberedningstiden. Maksimumsverdien for tid er «95:00».
- (5) Trykk «Start/+30Sec./ Confirm» for å starte tilberedning.

8. Tine etter vekt

- (1) Trykk «Super Defrost» én gang, så viser skjermen «dEF1».
- (2) Vri knotten for å stille inn vekten på maten. Vekten kan være mellom 100-2000 g.
- (3) Trykk «Start/+30Sec./ Confirm» for å starte tining.

Merk: Du hører en lyd for å minne deg om å snu maten som tines. Hvis det ikke skjer noe, vil ovnen fortsette.

9. Tine etter tid

- (1) Trykk «Super Defrost» to ganger, så viser skjermen «dEF2».
- (2) Vri knotten for å stille inn opptiningstiden. Maksimumsverdien for tid er «95:00».
- (3) Trykk «Start/+30Sec./Confirm» for å starte tining.

Merknader:

- (1) Når halvparten av tiden har gått, kommer en lyd for å minne deg på å snu maten. Hvis det ikke skjer noe, vil ovnen fortsette.
- (2) Tiningseffekt er P30, og det kan ikke endres.

10. Tilberedning med flere trinn

Merknader:

- (1) I tilberedning med flere trinn kan man stille inn to trinn.
- (2) Hvis man stiller inn opptining, blir dette automatisk første trinn.
- (3) Tidtager og Automeny kan ikke stilles inn som et av trinnene.

Eksempel: Tin maten i 5 minutter og stek deretter med 80 % mikrobølgeeffekt i 7 minutter.

- (1) Trykk «Super Defrost» to ganger, så viser skjermen «dEF2».
- (2) Vri knotten for å stille opptiningstiden til 5 minutter.
- (3) Trykk «Microwave» én gang, så vises «P100».
- (4) Vri knotten for å stille effektnivået til P80.
- (5) Trykk «Start/+30Sec./ Confirm» for å bekrefte effektnivået.
- (6) Vri knotten for å stille inn tilberedningstiden til 7 minutter.
- (7) Trykk «Start/+30Sec./ Confirm» for å starte tilberedning.

11. Hurtigtilberedning

- (1) I ventemodus kan du trykke «Start/+30Sec./ Confirm» for å tilberede mat med 100 % effektnivå i 30 sekunder. Med hvert trykk på samme knapp økes tiden med 30 sekunder opptil 95 minutter.
- (2) I ventemodus dreier du knotten til venstre for å stille inn en tilberedningstid med 100 % effekt. Fortsett å dreie knotten for å justere tilberedningstiden. Trykk deretter «Start/+30Sec./ Confirm» for å starte tilberedning.

12. Barnesikring

Du kan bruke denne funksjonen for å forhindre at barn slår på ovnen ved uhell.

Slik aktiveres barnesikringen:

Hold inne «Stop/Clear» i ventemodus i tre sekunder. Det høres et pip, og låseikonet vises.

Slik deaktiveres barnesikringen:

Hold inne «Stop/Clear» når låst i tre sekunder. Det høres et pip for å minne om å låse opp, og låseikonet vises ikke.

13. Sjekke klokken osv.

- (1) Hvis klokken er stilt inn, vises klokken i tre sekunder når man trykker «Timer/Clock» under tilberedning.
- (2) Under tilberedning med mikrobølger kan du trykke «Microwave» for å se effektnivået. Det vises i tre sekunder. Under grilling kan man sjekke på samme måte som ovenfor.

14. Auto Menu (Automeny)

- (1) Drei knotten mot høyre til «Auto Menu» så vises «A-01».
- (2) Fortsett å dreie knotten for å velge ønsket meny. 10 automenyer er tilgjengelige.
- (3) Trykk «Start/+30Sec./ Confirm» for å bekrefte.
- (4) Vri knotten for å stille inn vekten på maten.
- (5) Trykk «Start/+30Sec./ Confirm» for å starte tilberedning.

Merknader:

- (1) Hvis man åpner døren eller trykker «Stop/Clear» under drift, vil det avbryte gjeldende modus.
- (2) Man må først dreie knotten til høyre i ventemodus for å velge «Auto Menu». Drei bryteren til venstre først for å angi tiden for hurtig tilberedning.
- (3) Det høres et pip for å minne om å snu maten under menyen til A-10.

Automenydiagram

Meny	Vekt / mengde	Display	Effekt
A1 AUTO REHEAT (Automatisk oppvarming)	150 g	150 g	100 %
	250 g	250 g	
	350 g	350 g	
	450 g	450 g	
	600 g	600 g	
A2 POTET	1 stk (ca. 230 g)	1	100 %
	2 stk (ca. 450 g)	2	
	3 stk (ca. 650 g)	3	
A3 KJØTT	150 g	150 g	80 %
	350 g	350 g	
	450 g	450 g	
	600 g	600 g	
A4 GRØNNSAKER	150 g	150 g	100 %
	350 g	350 g	
	500 g	500 g	
A5 FISK	150 g	150 g	80 %
	250 g	250 g	
	350 g	350 g	
	450 g	450 g	
	650 g	650 g	
A6 PASTA	50 g (med 450 g kaldt vann)	50 g	80 %
	100 g (med 800 g kaldt vann)	100 g	
	150 g (med 1200 g kaldt vann)	150 g	
A7 SUPPE	200 g	200 g	100 %
	400 g	400 g	
	600 g	600 g	
A8 KAKE	475 g	475 g	forvarm 160 °C Varmluft 160 °C
A9 PIZZA	100 g	100 g	C-4
	200 g	200 g	
	300 g	300 g	
A10 KYLLING	500 g	500 g	C-4/C-4
	750 g	750 g	
	1000 g	1000 g	
	1200 g	1200 g	

FEILSØKING

Normal	
Mikrobølgeovnen forstyrrer TV-mottak	Radio- og TV-mottak kan bli forstyrret når mikrobølgeovnen er i bruk. Det ligner på forstyrrelse fra små elektriske apparater, som mikser, støvsuger og elektrisk vifte. Dette er normalt.
Svakt lys	Ved matlaging med lav mikrobølgeeffekt kan lampen bli svak. Dette er normalt.
Damp samler seg på døren, og varm luft kommer ut fra ventilen	Ved matlaging kan det komme damp ut av maten. Det meste vil komme seg ut av ventilene. Men noe kan samle seg på et kjølig sted, som døren. Dette er normalt.
Mikrobølgeovnen blir startet ved uhell uten mat i.	Enheten skal ikke brukes uten mat i den. Det er veldig farlig.

Problem	Mulig årsak	Løsning
Mikrobølgeovnen kan ikke startes.	(1) Strømledningen er ikke satt i helt.	Koble fra. Koble deretter til igjen etter 10 sekunder.
	(2) Sikringen går, eller effektbryter er aktivert.	Bytt sikringen eller tilbakestill effektbryteren (reparert av fagperson)
	(3) Problem med stikkkontakten.	Test stikkkontakten med andre elektriske apparater.
Mikrobølgeovn varmer ikke.	Døren er ikke godt lukket.	Lukk døren godt

SPESIFIKASJONER

Modell:	POMW7025GB
Merkespenning:	230V~ 50Hz
Nominell inngangsstrøm (mikrobølge):	1350W
Nominell utgangsstrøm (mikrobølge):	900W
Nominell inngangsstrøm (grill):	1000W
Nominell inngangsstrøm (varmluft):	2100W
Mikrobølgeovnens kapasitet:	25L
Produktets mål:	290mm (H) x 495mm (B) x 439mm (D)



I henhold til direktivet om avfall av elektrisk og elektronisk utstyr (WEEE) skal slikt utstyr samles inn og behandles separat. Hvis du på noe tidspunkt i fremtiden må kvitte deg med dette produktet, skal det IKKE kastes sammen med husholdningsavfall. Send dette produktet til et innsamlingssted for elektrisk og elektronisk avfall.

Power International AS,
Postboks Box 523, N-1471 Lørenskog, Norge

Power Norge:
<https://www.power.no/kundeservice/>
T: 21 00 40 00

Power Danmark:
<https://www.power.dk/kundeservice/>
T: 70 33 80 80

Punkt 1 Danmark:
<https://www.punkt1.dk/kundeservice/>
T: 70 70 17 07

Power Finland:
<https://www.power.fi/tuki/asiakaspalvelu/>
T: 0305 0305

Power Sverige:
<https://www.power.se/kundeservice/>
T: 08 517 66 000

**VAROIMENPITEET LIALLISELLE
MIKROALTOENERGIALLE ALTISTUMISEN VÄLTÄMISEKSI:**

- a) Älä yritä käyttää tätä mikroaaltouunia oven ollessa auki, koska tämä voi johtaa haitalliseen altistumiseen mikroaaltoenergialle. On tärkeää, että turvalukituksia ei rikota tai peukaloida.

- b) Älä aseta mitään esineitä mikroaaltouunin etupinnan ja oven väliin äläkä anna öljyn tai ruoan jäänteiden kerääntyä tiivistepinnoille.

- c) VAROITUS: Jos ovi tai oven tiiviste on vaurioitunut, älä käytä mikroaaltouunia, ennen kuin päteväoitetty henkilö on korjannut sen.

- d) Jos laitetta ei pidetä puhtaana, sen pinta voi vahingoittua, joka vaikuttaa sen käyttöikäen ja voi jopa tuottaa vaaratilanteen.

TÄRKEÄT TURVALLISUUSOHJEET VAROITUS

Vähentääksesi tulipalon, sähköiskun, loukkaantumisen tai liialliselle mikroaaltouunienergialle altistumisen riskiä noudata perustoimia, kun käytät laitetta:

1. Lue ja noudata erityisiä "VAROTOIMENPITEITÄ VÄLTTÄÄ mahdollinen altistuminen liialliselle mikroaaltoenergialle".
2. Tätä laitetta voivat käyttää vähintään 8-vuotiaat lapset ja henkilöt, joilla on heikentyneet fyysiset, sensoriset tai henkiset kyvyt tai joilla ei ole riittävästi kokemusta tai tietoa, jos heitä on valvottu tai opastettu laitteen turvallisessa käytössä ja jos he ymmärtävät siihen liittyvät vaarat. Lapset eivät saa leikkiä laitteella. Lapset eivät saa suorittaa puhdistusta ja käyttäjien huoltoa, elleivät he ole yli 8-vuotiaita ja ellei heitä valvota. Alle 8-vuotiaat lapset on pidettävä poissa, ellei heitä jatkuvasti valvota.
3. Pidä laite ja sen virtajohto poissa alle 8-vuotiaiden lasten ulottuvilta.
4. Jos syöttöjohto on vaurioitunut, valmistajan, sen huoltoedustajan tai vastaavan pätevyyden omaavan henkilön on vaihdettava se vaaran välttämiseksi (Laite, jossa on Y-tyypin kiinnitys).
5. VAROITUS: Sähköiskun välttämiseksi varmista, että laite on sammutettu ennen lampun vaihtamista.
6. VAROITUS: Suojus suojaa mikroaaltoenergialle altistumiselta, joten on vaarallista, että joku muu kuin pätevitetty henkilö suorittaa huolto- tai korjaustoimenpiteitä, joihin liittyy suojuksen poistaminen.
7. VAROITUS: Nesteitä ja muita elintarvikkeita ei saa lämmittää suljetuissa astioissa, koska ne voivat räjähtää.

8. Kun kuumennat muovi- tai paperiastioissa olevaa ruokaa, pidä mikroaaltouunia silmällä syttymismahdollisuuden vuoksi.
9. Käytä käytön aikana vain mikroaaltouuniin soveltuvia välineitä.
10. Jos mikroaaltouuni tuottaa savua, sammuta laite tai irrota se pistorasiasta ja pidä ovi suljettuna liekkien tukahduttamiseksi.
11. Juomien lämmittäminen mikroaaltouunissa voi johtaa myöhemmin purkautuvaan kiehumiseen, joten astiaa käsiteltäessä on oltava varovainen.
12. Syöttöpullojen ja vauvanruokapurkkien sisältöä tulee sekoittaa tai ravistaa ja lämpötila tulee tarkistaa ennen nauttimista, jotta vältetään vauvan palovammoilta.
13. Kuorellisia kananmunia ja kokonaisia kovaksi keitettyjä kananmunia ei saa lämmittää mikroaaltouunissa, koska ne voivat räjähtää, vaikka mikroaaltouunin kuumentaminen olisi päättynyt.
14. Laite on puhdistettava säännöllisesti ja mahdolliset ruokakertymät tulee poistaa.
15. Jos laitetta ei pidetä puhtaana, pinta voi huonontua, joka saattaa vaikuttaa laitteen käyttöikään ja mahdollisesti johtaa vaaratilanteeseen.
16. Laitetta ei saa asentaa koristeoven taakse ylikuumentamisen välttämiseksi. (Tämä ei koske laitteita, joissa on koristeellinen ovi.)
17. Käytä vain tähän laitteeseen suositeltua lämpötila-anturia (mikroaaltouunissa, joissa on mahdollisuus käyttää lämpötila-anturia).

18. Mikroaaltouunia ei saa sijoittaa kaappiin, ellei sitä ole testattu turvallisesti käyttäessä kaapissa.
19. Tämä laite on tarkoitettu käytettäväksi kotitaloudessa ja samanlaisissa tiloissa kuten:
 - henkilöstön keittiötiloissa kaupoissa, toimistoissa ja muissa työympäristöissä;
 - asiakkaiden toimesta hotelleissa ja muissa asuinympäristöissä;
 - maataloilla;
 - bed and breakfast -tyyppinen yksinkertainen ympäristö.
20. Laite on tarkoitettu ruoan ja juomien lämmittämiseen. Ruoan ja vaatteiden kuivaaminen ja lämmittely tyyntyjen, tohveleiden, sienten, kosteiden kankaiden ja vastaavien lämmittäminen voi aiheuttaa loukkaantumis-, syttymis- tai tulipalovaaran.
21. Ruoan ja juomien metalliastioita ei saa käyttää mikroaaltouunissa.
22. Laitetta ei saa puhdistaa höyrypuhdistimella.
23. Laite on tarkoitettu käytettäväksi vapaasti seisovana.
24. Laitteen takapinta on sijoitettava seinää vasten.
25. Laitteita ei ole tarkoitettu käytettäväksi ulkoisen ajastimen tai erillisen kauko-ohjausjärjestelmän avulla.
26. Käyttökelpoisten pintojen lämpötila voi olla korkea, kun laite on toiminnassa.
27. VAROITUS: Kun laitetta käytetään yhdistelmätilassa, lapset saavat käyttää laitetta vain aikuisen valvonnassa.

**LUE HUOLELLISESTI JA SÄILYTÄ MYÖHEMPÄÄ
KÄYTTÖÄ VARTEN.**

HENKILÖIHIN KOHDISTUVAN LOUKKAANTUMISVAARAN VÄHENTÄMISEKSI ASENNA MAADOITUS.

VAARA

Sähköiskun Vaara

Joidenkin sisäisten komponenttien koskettaminen voi aiheuttaa vakavan henkilövahingon tai hengenmenetyksen. Älä pura tätä laitetta.

VAROITUS

Sähköiskun Vaara

Maadoituksen virheellinen käyttö voi aiheuttaa sähköiskun. Älä kytke laitetta pistorasiaan ennen kuin laite on asennettu ja maadoitettu asianmukaisesti.

Tämä laite tulee maadoittaa. Sähköisen oikosulun sattuessa maadoitus vähentää sähköiskun vaaraa, koska se tarjoaa sähkövirralle poistumisjohdon.

Tässä laitteessa on virtajohto, jossa on maadoitusjohto ja maadoituspistoke. Laite on kytkettävä asianmukaisesti asennettuun ja maadoitettuun pistorasiaan.

Ota yhteyttä pätevään sähköasentajaan tai huoltomieheen, jos maadoitusohjeita ei ole täysin ymmärretty tai jos on epäilyksiä siitä, onko laite maadoitettu oikein. Jos joudut käyttämään jatkojohtoa, käytä vain 3-johtimista jatkojohtoa.

1. Lyhyt virransyöttöjohto on tarkoitettu vähentämään vaaraa, joka aiheutuu pidempään johtoon sotkeutumisesta tai siitä kompastumisesta.

2. Jos käytetään pitkää johtosarjaa tai jatkojohtoa:

- 1) Johtosarjan tai jatkojohdon merkityn sähkötehon on oltava vähintään yhtä voimakas kuin laitteen sähköteho.
- 2) Jatkojohdon on oltava maadoitettu 3-johtiminen johto. Pitkä johto on järjestettävä niin, että se ei roiku
- 3) tiskipöydän tai pöydän päälle, jolloin lapset voivat kompastua johtoon.

PUHDISTUS

Muista irrottaa laite virtalähteestä ennen puhdistusta.

1. Puhdista laitteen ontelo käytön jälkeen hieman kostealla liinalla.
2. Puhdista tarvikkeet saippuvedellä.
3. Oven karmi ja tiiviste sekä viereiset osat on puhdistettava huolellisesti kostealla liinalla niiden likaantuessa.
4. Älä käytä kovia hankaavia puhdistusaineita tai teräviä metallikaapimia laitteen lasioven puhdistamiseen, koska ne voivat naarmuttaa pintaa ja johtaa lasin rikkoutumiseen.
5. Puhdistusvihjeitä---Helpottaa ruoan kypsennyksen aikana likaantuneiden ontelon seinämien puhdistamista: Aseta puolikas sitruuna kulhoon, lisää 300 ml (1/2 tuoppi) vettä ja kuumenna 100 %:n mikroaaltoteholla 10 minuutin ajan.

ASTIAT

VAROITUS

Henkilövahinkojen vaara

Suojus suojaa mikroaaltoenergialle altistumiselta, joten on vaarallista, että joku muu kuin pätevytetty henkilö suorittaa huolto- tai korjaustoimenpiteitä, joihin liittyy suojuksen poistaminen.

Katso ohjeet kohdasta "Mikroaaltouunissa käytettävät tai vältettävät materiaalit." Joitakin ei-metallisia välineitä, joita ei ole turvallista käyttää mikroaaltouunissa. Jos olet epävarma, sinun kannattaa suorittaa testi alla olevien

KÄYTTÖTARVIKETESTI:

1. Täytä mikroaaltouuninkestävä astia kupillisella kylmää vettä (250 ml) ja laita astia siihen.
2. Kypsennä maksimiteholla 1 minuutti.
3. Tunnustele välinettä varovasti. Jos tyhjä astia on lämmin, älä käytä sitä mikroaaltouunissa.
4. Älä ylitä 1 minuuttia testauksen aikana.

Mikroaaltouunissa käytettävät materiaalit

Välineet Huomautuksia	Huomautuksia
Ruskistusastia	Noudata valmistajan ohjeita. Ruskistusastian pohjan on oltava vähintään 3/16 tuumaa (± 5 mm) kääntöpöydän yläpuolella. Vääränlainen käyttö voi aiheuttaa levysoittimen rikkoutumisen.
Ruokailuvälineet	Vain mikroaaltouunille. Noudata valmistajan ohjeita. Älä käytä halkeilleita tai lohkeilleita astioita.
Lasipurkit	Poista aina kansi. Käytä vain ruoan lämmittämiseen, kunnes se on lämmintä. Useimmat lasipurkit eivät ole kuumuutta kestäviä ja voivat rikkoutua.rikkoutua.
Lasitavarat	Vain mikroaaltouunin kuumuutta kestävät lasitavarat. Varmista, ettei metallisia koristeita ole. Älä käytä halkeilleita tai lohkeilleita astioita.
Mikroaaltouunin ruoanlaittopussit	Noudata valmistajan ohjeita. Älä sulje metallisiteellä. Tee viiltoja, jotta höyry pääsee poistumaan.
Paperilautaset ja -mukit	Käytä vain lyhytaikaiseen ruoanlaittoon/lämmittämiseen. Älä jätä uunia valvomatta kypsennyksen ajaksi.
Paperipyyhkeet	Käytetään ruoan peittämiseen uudelleenlämmitystä ja rasvan imeytymistä varten. Käytä valvotusti vain lyhytaikaiseen ruoanlaittoon.
Pergamenttipaperi	Käytä peitteenä roiskumisen estämiseksi tai kääreenä höyrytystä varten.
Muovi	Vain mikroaaltouunille. Noudata valmistajan ohjeita. Tulee olla merkintä "Microwave Safe". Jotkin muoviasiat pehmenevät kuumentuessaan. "Kiehumispussit" ja tiiviisti suljetut muovipussit on viilletävä, lävistettävä tai ilmastettava pakkauksen ohjeiden mukaan.
Muovikelmu	Vain mikroaaltouunille. Käytetään ruoan peittämiseen kypsennyksen aikana kosteuden säilyttämiseksi. Älä anna muovikelman koskettaa ruokaa.
Lämpömittarit	Vain mikroaaltouunille soveltuvat (liha- ja karkkilämpömittarit).
Vahapaperi	Käytä suojana roiskumisen estämiseksi ja kosteuden säilyttämiseksi.

Mikroaaltouunissa vältettävät materiaalit

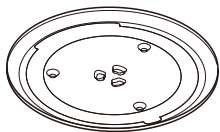
Välineet Huomautuksia	Huomautuksia
Alumiinitarjotin	Saattaa aiheuttaa muodonmuutoksia. Siirrä ruoka mikroaaltouuninkestävään astiaan.
Ruokapakkaus, jossa on metallikahva	Saattaa aiheuttaa muodonmuutoksia. Siirrä ruoka mikroaaltouuninkestävään astiaan.
Metalliset tai metallisilla reunuksilla varustetut astiat ja välineet	Metalli suojaa ruokaa mikroaltoaenergialta. Metalliosat voivat aiheuttaa muodonmuutoksia.
Metalliset nippusiteet	Saattaa aiheuttaa muodonmuutoksia ja tulipalon kaapissa.
Paperipussit	Saattaa aiheuttaa tulipalon mikroaaltouunissa.
Muovivahto	Muovivahto voi sulaa tai saastuttaa sisällä olevan nesteen altistuessaan korkealle lämpötilalle.
Puu	Puu kuivuu, kun sitä käytetään mikroaaltouunissa, ja se voi lohkeilla tai halkeilla.

TUOTEKATSAUS

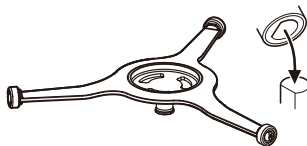
(Jos laitteen ja tämän käyttöohjeen kuvien välillä on eroja, tuote on ensisijainen.)

Poista kaikki pakkausmateriaalit pakkauksesta ja laitteesta.

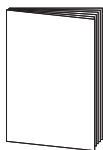
Mikroaaltouunin mukana toimitetaan seuraavat lisävarusteet:



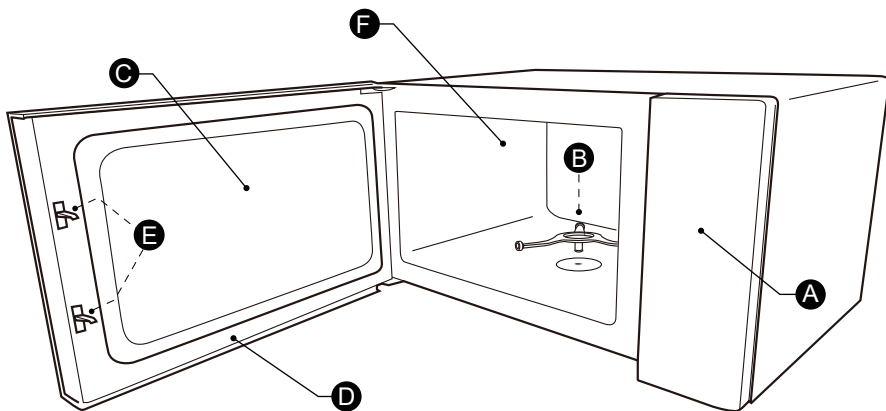
Lasitarjotin



Kääntöpöydän rengas kokoonpano



Käyttöohjeet



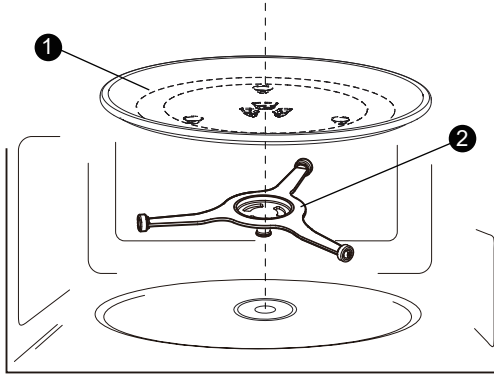
- A) Ohjauspaneeli
- B) Kääntöpöydän rengas kokoonpano
- C) Tarkkailuikkuna

- D) Oven kokoonpano
- E) Turvalukitusjärjestelmä
- F) Ontelo

ENNEN KÄYTTÖÄ

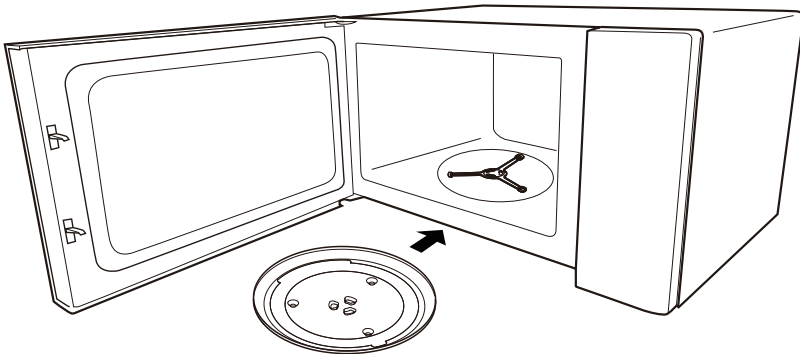
Keittotilan puhdistaminen ja kääntöpöydän asettaminen paikalleen.

Varmista uusissa asennuksissa, että kaikki pakkaukset ja kuljetusteippi on poistettu. Ennen kuin käytät laitetta ruoan valmistukseen ensimmäistä kertaa, sinun on asetettava kääntöpöytä oikein paikalleen. Keittotila ja lisävarusteet on puhdistettava.



1) Lasialusta

2) Kääntöpöydän rengas kokoonpano



Huomautuksia:

1. Älä koskaan käytä laitetta ilman levysoitinta. Varmista, että se on kunnolla kiinni. Kääntöpöytä voi kääntyä myötä- tai vastapäivään.
2. Älä koskaan aseta lasialustaa ylösalaisin. Lasialustaa ei saa koskaan rajoittaa.
3. Sekä lasialustaa että pyörimisalustan rengas kokoonpanoa on aina käytettävä kypsennyksen aikana.
4. Kaikki elintarvikkeet ja ruoka-astiat on asetettava lasialustalle kypsennystä varten.
5. Älä koskaan rajoita levysoittimen liikkumista.
6. Jos lasialusta tai kääntölevyn rengaskokoonpano murtuu tai rikkoutuu, ota yhteys lähimpään valtuutettuun huoltoliikkeeseen.

ASENNUS

Kääntöpöydän asennus

Poista kaikki pakkausmateriaali ja tarvikkeet.

Tutki mikroaaltouuni mahdollisten vaurioiden, kuten kolhujen tai rikkiinäisen luukun varalta.

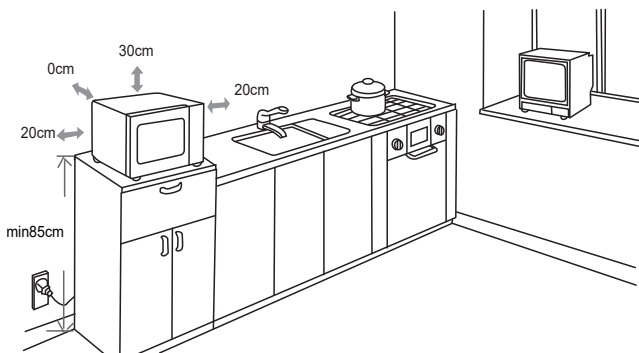
Älä asenna, mikäli mikroaaltouuni on vaurioitunut.

Kaappi: Poista mikroaaltouunin kaapin pinnalla mahdollisesti oleva suojakalvo.

Älä irrota vaaleanruskeaa kiillepeitetä, joka on kiinnitetty mikroaaltouunin onteloon suojaamaan magnetronia.

Asennus

1. Valitse tasainen pinta, jossa on riittävästi vapaata tilaa imu- ja/tai poistoaukoille.



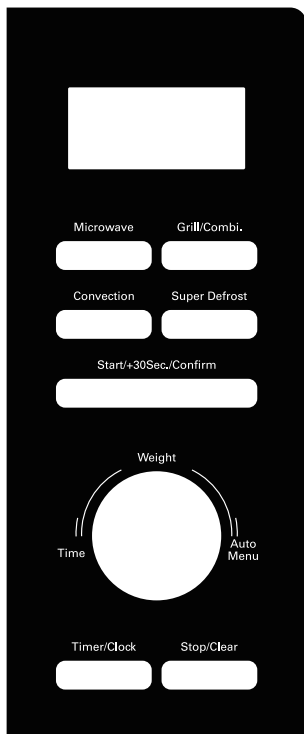
- (1) Pienin asennuskorkeus on 85 cm.
 - (2) Mikroaaltouunin takapinta on sijoitettava seinää vasten.
 - (3) Jätä mikroaaltouunin yläpuolelle vähintään 30 cm ja mikroaaltouunin ja viereisten seinien väliin vähintään 20 cm:n vapaa tila.
 - (4) Älä poista jalkoja mikroaaltouunin pohjasta.
 - (5) Imu- ja/tai poistoaukkojen tukkiminen voi vahingoittaa mikroaaltouunia.
 - (6) Sijoita mikroaaltouuni mahdollisimman kauas radioista ja televisioista. Mikroaaltouunin käyttö voi aiheuttaa häiriöitä radio- tai TV-vastaanottoon.
2. Kytke mikroaaltouuni tavalliseen kotitalouspistorasiaan. Varmista, että jännite ja taajuus ovat samat kuin arvokilvessä oleva jännite ja taajuus.

VAROITUS: Älä asenna mikroaaltouunia keittotason tai muun lämpöä tuottavan mikroaaltouunin päälle. Jos laite asennetaan lämmönlähteen lähelle tai sen päälle, mikroaaltouuni voi vaurioitua ja takuu raukeaa.



Käyttökelpoinen pinta voi olla kuuma käytön aikana.

OHJAUSPANEELI



Näyttö:

Näytössä näkyvät aika, virta ja indikaattorit.

Microwave (Mikroaaltouuni):

Mikroaaltotoiminto ja tehotason asetus.

Grill/Combi.:

Grillitoiminto tai grilli- ja mikroaaltouunin yhdistelmä.

Convection (Konvektio):

Konvektiotoiminnon asetus.

Super Defrost (Supersulatus):

Sulatus ajan tai painon mukaan.

Start/+30Sec./Confirm (Käynnistä/+30 sekuntia/Vahvista):

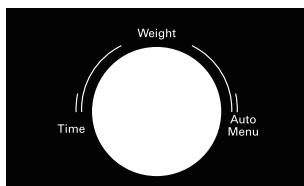
Käynnistä/vahvista ohjelma tai käynnistä pikakypsennys valmiustilassa täydellä teholla.

Timer/Clock (Ajastin/kello):

Ajastimen tai kellon asetus.

Stop/Clear (Seis/Tyhjennä):

Pysäytä tai peruuta ohjelma.



Muiden näppäinten lisäksi, kun säädät tehotasoa, kypsennysaikaa, sulatusaikaa tai painoa jne.

KÄYTTÖ

1. Kellon asettaminen

- (1) Paina "Timer/Clock" kahdesti, jolloin näyttöön tulee "00:00".
- (2) Aseta tunti kääntämällä nuppia, sen pitäisi olla välillä 0-23.
- (3) Vahvasta painamalla "Timer/Clock".
- (4) Aseta minuutti kääntämällä nuppia, sen pitäisi olla välillä 0-59.
- (5) Vahvasta painamalla "Timer/Clock". Kello on asetettu.

Huomautuksia:

- (1) Kellossa on 24 tunnin näyttö. Jos kelloa ei ole asetettu, se ei toimi, kun siihen kytketään virta.
- (2) Jos haluat nollata kellon, toista vaiheet 1 - 5.
- (3) Vaiheen 4 jälkeen, jos "Timer/Clock" -painiketta ei ole painettu eikä 5 minuuttiin ole tapahtunut mitään toimintoa, asetus on mitätön.

2. Keittiön ajastimen asettaminen

- (1) Paina "Timer/Clock" kerran, jolloin näyttöön tulee "00:00".
- (2) Aseta haluamasi aika kääntämällä nuppia. Enimmäisaika on "95:00".
- (3) Vahvasta painamalla "Start/+30Sec./Confirm". Ajastin alkaa laskea alaspäin.

Huomautus: Keittiöajastimen aikana ei voi asettaa ohjelmia.

3. Mikroaaltouunissa ruoanlaitto

Tehotasot

Tehotaso	100%	80%	50%	30%	10%
Näyttö	P100	P80	P50	P30	P10

- (1) Paina "Microwave" ja näyttöön tulee "P100".
- (2) Paina toistuvasti "Microwave" tai käännä nuppia tehotason asettamiseksi. Käytettävissä on 5 tehotasoa.
- (3) Vahvasta tehotaso painamalla "Start/+30Sec./Confirm".
- (4) Säädä kypsennysaika kääntämällä nuppia. Enimmäisaika on "95:00".
- (5) Paina "Start/+30Sec./Confirm" aloittaaksesi kypsennyksen.

Huomautus: Uunin luukun avaaminen tai "Stop/Clear" -painikkeen painaminen käytön aikana keskeyttää nykyisen tilan.

4. Grilli ruoanlaitto

- (1) Paina "Grill/Combi." ja sitten "G-1" tulee näyttöön, paina sitten "Start/+30Sec./ Confirm".
- (2) Aseta kypsennysaika kääntämällä nuppia. Enimmäisaika on "95:00".
- (3) Paina "Start/ +30Sec./ Confirm" aloittaaksesi kypsennyksen.

Huomautus: Kun puolet ajasta on kulunut, summeri muistuttaa sinua kääntämään ruoan. Jos mitään ei tapahdu, uuni jatkaa toimintaansa.

5. Yhdistelmäruokailu

- (1) Paina kerran "Grill/Combi." ja näyttöön tulee "G-1". Paina sitten toistuvasti "Grill/Combi." tai käännä säädintä valitaksesi haluamasi tehon, jolloin näyttöön tulevat järjestyksessä "C-1", "C-2", "C-3" ja "C-4".
- (2) Paina "Start/ +30Sec./ Confirm" vahvistaaksesi.
- (3) Aseta kypsennysaika kääntämällä nuppia. Enimmäisaika on "95:00".
- (4) Paina "Start/ +30Sec./ Confirm" aloittaaksesi kypsennyksen.

Huomautus: Yhdistelmäohjeet

Ohjeet	Näyttö	Mikroaaltouuni	Säleikkö	Konvektio
1	C-1	●		●
2	C-2	●	●	
3	C-3		●	●
4	C-4	●	●	●

6. Konvektiokeittäminen esilämmitystoiminnolla

- (1) Paina kerran "Convection" ja näyttöön tulee "150°C".
- (2) Paina "Convection" toistuvasti tai käännä nuppia lämpötilan asettamiseksi. Saatavana on 10 vaihtoehtoa, mukaan lukien 150, 160, 170, 180, 190, 200, 210, 220, 230, 240 °C.
- (3) Paina "Start/ +30Sec./ Confirm" lämpötilan vahvistamiseksi.
- (4) Paina "Start/ +30Sec./ Confirm" uudelleen siirtyäksesi esilämmitysasetuskeeseen.
- (5) Kun esilämmitys on valmis, uuni tuottaa äänimerkin kaksi kertaa. Avaa luukku ja aseta ruoka uuniin.
- (6) Sulje uunin luukku.
- (7) Aseta kypsennysaika kääntämällä nuppia. Enimmäisaika on "95:00".
- (8) Paina "Start/ +30Sec./ Confirm" aloittaaksesi kypsennyksen.

7. Konvektiokeitto ilman esilämmitystoimintoa

- (1) Paina kerran "Convection" ja näyttöön tulee "150°C".
- (2) Paina "Convection" toistuvasti tai käännä nuppia lämpötilan asettamiseksi. Saatavana on 10 vaihtoehtoa, mukaan lukien 150, 160, 170, 180, 190, 200, 210, 220, 230, 240 °C.
- (3) Paina "Start/ +30Sec./ Confirm" lämpötilan vahvistamiseksi.
- (4) Aseta kypsennysaika kääntämällä nuppia. Enimmäisaika on "95:00".
- (5) Paina "Start/ +30Sec./ Confirm" aloittaaksesi kypsennyksen.

8. Sulatus painon mukaan

- (1) Paina "Super Defrost" kerran, jolloin näytölle tulee "dEF1".
- (2) Aseta ruoan paino kääntämällä nuppia. Painon vaihteluväli on 100-2000 g.
- (3) Paina "Start/ +30Sec./ Confirm" aloittaaksesi sulatuksen.

Huomautus: Äänimerkki muistuttaa sinua kääntämään ruokaa sulatuksen aikana. Jos mitään ei tapahdu, uuni jatkaa toimintaansa.

9. Sulatus ajan mukaan

- (1) Paina "Super Defrost" kahdesti, jolloin näyttöön tulee "dEF2".
- (2) Aseta haluamasi sulatusaika kääntämällä nuppia. Enimmäisaika on "95:00".
- (3) Aloita sulatus painamalla "Start/+30Sec./Confirm".

Huomautuksia:

- (1) Kun puolet ajasta on kulunut, sumneri muistuttaa sinua kääntämään ruoan. Jos mitään ei tapahdu, uuni jatkaa toimintaansa.
- (2) Sulatusteho on P30, eikä sitä voi muuttaa.

10. Monivaiheinen ruoanlaitto

Huomautuksia:

- (1) Monivaiheiseen kypsennykseen voidaan asettaa kaksi kypsennysvaihetta.
- (2) Jos asetat sulatustoiminnon, se toimii automaattisesti ensimmäisessä vaiheessa.
- (3) Keittiöajastinta, Automaattinen-valikkoa ei voi asettaa monivaiheiseksi.

Esimerkki: Sulata ruokaa 5 minuuttia ja kypsennä sitten 80 % :n mikroaaltoteholla 7 minuuttia.

- (1) Paina "Super Defrost" kahdesti, jolloin näyttöön tulee "dEF2".
- (2) Aseta haluamasi sulatusaika 5 minuutiksi kääntämällä nuppia.
- (3) Paina "Microwave" ja näyttöön tulee "P100".
- (4) Käännä säädintä asettaaksesi P80:n tehotason.
- (5) Paina "Start/ +30Sec./ Confirm" tehotason vahvistamiseksi.
- (6) Aseta kypsennysaika 7 minuutiksi kääntämällä nuppia.
- (7) Paina "Start/ +30Sec./ Confirm" aloittaaksesi kypsennyksen.

11. Nopea ruoanlaitto

- (1) Paina valmiustilassa "Start/ +30Sec./ Confirm" kypsennät ruokaa 100 % teholla 30 sekunnin ajan. Jokainen saman näppäimen painallus voi lisätä aikaa 30 sekuntia, ja enimmäisaika on 95 minuuttia.
- (2) Käännä valmiustilassa nuppia vasemmalle asettaaksesi kypsennysajan 100 %:n teholla. Säädä kypsennysaikaa kääntämällä nuppia edelleen. Paina sitten "Start/ +30Sec./ Confirm" aloittaaksesi kypsennyksen.

12. Lukitustoiminto lapsille

Voit käyttää tätä toimintoa estämään lapsia kytkemästä laitetta vahingossa päälle.

Lukituksen aktivoiminen:

Paina valmiustilassa "Stop/Clear" ja pidä sitä painettuna kolmen sekunnin ajan. Äänimerkki kuuluu ja lukittu-kuvake tulee näkyviin.

Lukituksen poistaminen käytöstä:

Paina lukitus tilassa "Stop/Clear" ja pidä sitä painettuna kolmen sekunnin ajan. Äänimerkki muistuttaa lukituksen poistamisesta, eikä lukituskuvake tule näkyviin.

13. Tiedustelutoiminto

- (1) Jos kello on asetettu, nykyinen kellonaika näkyy kolmen sekunnin ajan painamalla "Timer/Clock" keittotilassa.
- (2) Paina mikroaaltouunin kypsennystilassa "Microwave" kysyäksesi tehotasoa. Se näkyy kolme sekuntia. Grillaustilassa tiedustelutapa voidaan tehdä samalla tavalla kuin edellä.

14. Auto menu (Automaattinen valikko)

- (1) Käännä säädin oikealle kohtaan "Auto Menu", jolloin näyttöön tulee "A-01".
- (2) Jatka nupin kääntämistä valitsemalla haluamasi valikko. käytettävissä on 10 automaattista valikkoa.
- (3) Paina "Start/ +30Sec./ Confirm" vahvistaaksesi.
- (4) Aseta ruoan paino kääntämällä nuppia.
- (5) Paina "Start/ +30Sec./ Confirm" aloittaaksesi kypsennyksen.

Huomautuksia:

- (1) Uunin luukun avaaminen tai "Stop/Clear"-painikkeen painaminen käytön aikana keskeyttää nykyisen tilan.
- (2) Säädintä on käännettävä ensin oikealle valmiustilassa, jotta voit valita "Auto Menu" -valikon. Kääntämällä nuppia ensin vasemmalle pääset nopean kypsennyksen kypsennysaikaan.
- (3) Äänimerkki muistuttaa ruoan kääntämisestä A-10-valikon aikana.

Automaattinen valikkokaavio

Valikko	Paino / Määrä	Näyttö	Virta
A1 AUTOMAATTINEN LÄMMITYS	150 g	150 g	100 %
	250 g	250 g	
	350 g	350 g	
	450 g	450 g	
	600 g	600 g	
A2 PERUNA	1kpl (noin 230g)	1	100 %
	2kpl (noin 450g)	2	
	3kpl (noin 650g)	3	
A3 LIHA	150 g	150 g	80 %
	350 g	350 g	
	450 g	450 g	
	600 g	600 g	
A4 VIHANNEKSET	150 g	150 g	100 %
	350 g	350 g	
	500 g	500 g	
A5 KALAT	150 g	150 g	80 %
	250 g	250 g	
	350 g	350 g	
	450 g	450 g	
	650 g	650 g	
A6 PASTA	50 g (450 g kylmää vettä)	50 g	80 %
	100 g (800 g kylmää vettä)	100 g	
	150 g (1200 g kylmää vettä)	150 g	
A7 KEITTO	200 g	200 g	100 %
	400 g	400 g	
	600 g	600 g	
A8 KAKKU	475 g	475 g	esilämmitys 160°C Konvektio 160°C
A9 PIZZA	100 g	100 g	C-4
	200 g	200 g	
	300 g	300 g	
A10 KANA	500 g	500 g	C-4/C-4
	750 g	750 g	
	1000 g	1000 g	
	1200 g	1200 g	

VIANMÄÄRITYS

Normaali	
Mikroaaltouuni häiritsee TV-vastaanottoa	Radio- ja TV-vastaanotto voi häiriintyä mikroaaltouunin käytön aikana. Se on samanlainen kuin pienten sähkölaitteiden, kuten sekoittimen, pölynimurin ja sähkötuulettimen, häiriöt. Kyseinen on normaalia.
Hämärä valo	Pienitehoisessa mikroaaltouunissa valo voi himmentyä. Kyseinen on normaalia.
Oveen kertyvä höyry, kuuma ilma tulee ulos tuuletusaukosta	Ruoanvalmistuksessa ruoasta voi tulla höyryä. Useimmat pääsevät ulos tuuletusaukoista. Osa saattaa kuitenkin kerääntyä viileään paikkaan, kuten oveen. Kyseinen on normaalia.
Mikroaaltouuni käynnistyy vahingossa ilman ruokaa.	Laitetta ei saa käyttää, jos sen sisällä ei ole ruokaa. Se on hyvin vaarallista.

Ongelmia	Mahdollinen syy	Korjaus
Mikroaaltouunia ei voi käynnistää.	(1) Virtajohtoa ei ole kytketty tiukasti.	Irrota pistoke. Kytke sitten pistoke uudelleen 10 sekunnin kuluttua.
	(2) Sulake räjähtää tai katkaisija toimii.	Vaihda sulake tai nollaa katkaisija (ammattitaitoinen henkilökunta korjaa)
	(3) Ongelmia pistorasian kanssa.	Testaa pistorasia muiden sähkölaitteiden kanssa.
Mikroaaltouuni ei lämmitä.	Ovi ei sulkeudu kunnolla.	Sulje ovi hyvin.

TEKNISET TIEDOT

Malli:	POMW7025GB
Nimellisjännite:	230 V~ 50 Hz
Nimellistuloteho (mikroaalto):	1350 W
Nimellislähtöteho (mikroaalto):	900 W
Nimellistuloteho (grilli):	1000 W
Nimellistuloteho (konvektio):	2100 W
Mikroaaltouunin kapasiteetti:	25L
Tuotteen mitat:	290mm (K) x 495mm (L) x 439mm (S)



Sähkö- ja elektroniikkalaiteromua koskevan direktiivin (WEEE) mukaan sähkö- ja elektroniikkalaiteromu on kerättävä ja käsiteltävä erikseen. Jos sinun on joskus tulevaisuudessa hävitettävä tämä tuote, älä hävitä sitä kotitalousjätteen mukana. Lähetä tämä tuote sähkö- ja elektroniikkalaiteromun keräyspisteisiin, jos niitä on saatavilla.

Power International AS,
PO Box 523, N-1471 Lørenskog, Norway

Power Norjassa:
<https://www.power.no/kundeservice/>
P: 21 00 40 00

Power Tanskassa:
<https://www.power.dk/kundeservice/>
P: 70 33 80 80

Punkt 1 Tanskassa:
<https://www.punkt1.dk/kundeservice/>
P: 70 70 17 07

Power Suomessa:
<https://www.power.fi/tuki/asiakaspalvelu/>
P: 0305 0305

Power Ruotsissa:
<https://www.power.se/kundservice/>
P: 08 517 66 000

FORHOLDSREGLER FOR AT UNDGÅ MULIG UDSÆTTELSE FOR OVERDREVEN MIKROBØLGEENERGI:

- a) Forsøg ikke at betjene denne mikrobølgeovn med døren åben, da dette kan resultere i skadelig eksponering for mikrobølgeenergi. Det er vigtigt ikke at ødelægge eller manipulere med sikkerhedslåsene.
- b) Anbring ikke genstande mellem fronten og døren på mikrobølgeovnen, og lad ikke olie eller madrester samle sig på tætningsfladerne.
- c) ADVARSEL: Hvis døren eller dørforseglingen er beskadiget, må mikrobølgeovnen ikke bruges, før den er blevet repareret af en kompetent person.
- d) Hvis apparatet ikke holdes rent, kan dets overflade blive nedbrudt, og det vil påvirke dets levetid og endda føre til en farlig situation.

VIGTIGE SIKKERHEDSINSTRUKTIONER ADVARSEL

For at reducere risikoen for brand, elektrisk stød, personskade eller udsættelse for meget energi fra mikrobølgeovnen skal du følge de grundlæggende forholdsregler, når du bruger dit apparat:

1. Læs og følg de specifikke "FORHOLDSREGLER FOR AT UNDGÅ MULIG EKSPONERING FOR MEGET MIKROBØLGEENERGI".
2. Dette apparat må ikke bruges af børn under 8 år eller af personer med nedsatte fysiske, følelsesmæssige eller mentale evner eller med mangel på erfaring eller viden, hvis de ikke er under opsyn eller er blevet instrueret i, hvordan dette apparat bruges sikkert, og forstår risikoen ved at bruge det. Børn må ikke lege med dette apparat. Rengøring og brugervedligeholdelse må ikke udføres af børn, medmindre de er over 8 år og er under opsyn. Børn under 8 år skal holdes væk, medmindre de er under konstant opsyn.
3. Hold apparatet og dets ledning uden for rækkevidde af børn under 8 år.
4. Hvis ledningen er beskadiget, skal den udskiftes af producenten, dennes serviceagent eller tilsvarende kvalificerede personer for at undgå fare (For apparater med type Y-tilbehør).
5. ADVARSEL: For at undgå risiko for elektrisk stød skal du sørge for, at apparatet er slukket, før du udskifter lampen.
6. ADVARSEL: Dækslet beskytter mod udsættelse for mikrobølgeenergi, så det er farligt for andre end en kompetent person at udføre service eller reparationer, der involverer fjernelse af det.

7. ADVARSEL: Væske og andre fødevarer må ikke opvarmes i forseglede beholdere, da de kan eksplodere.
8. Når du opvarmer mad i plast- eller papirbeholdere, skal du holde øje med mikrobølgeovnen på grund af muligheden for antændelse.
9. Brug kun redskaber, der er egnet til mikrobølgeovne, når du bruger dem.
10. Hvis mikrobølgeovnen afgiver røg, skal du slukke for apparatet eller tage stikket ud og holde lågen lukket for at kvæle eventuelle flammer.
11. Mikrobølgeopvarmning af drikkevarer kan resultere i efterfølgende eruptiv kogning, derfor skal man være forsigtig, når man håndterer beholderen.
12. Indholdet i sutteflasker og krukker med babymad skal omrøres eller rystes, og temperaturen skal kontrolleres før indtagelse for at undgå forbrændinger på barnet.
13. Æg med skal og hele hårdkogte æg bør ikke opvarmes i mikrobølgeovne, da de kan eksplodere, selv efter at mikrobølgeopvarmningen er afsluttet.
14. Apparatet skal rengøres regelmæssigt, og eventuelle madrester skal fjernes.
15. Hvis apparatet ikke holdes rent, kan det føre til, at overfladen forringes, og det kan påvirke apparatets levetid og muligvis resultere i en farlig situation.
16. Apparatet må ikke installeres bag en dekorativ dør for at undgå overophedning. (Dette gælder ikke for apparater med dekorativ dør).
17. Brug kun den temperaturføler, der anbefales til dette apparat (til mikrobølgeovne med mulighed for at bruge en temperaturføler).

18. Mikrobølgeovnen må ikke placeres i et skab, medmindre den er blevet testet sikker til brug i et skab.
19. Dette apparat er beregnet til brug i en husholdning og lignende anvendelser som f.eks:
 - personalekøkkener i butikker, kontorer og andre arbejdspladser;
 - af gæster på hoteller, moteller og andre boligmiljøer;
 - på gårde;
 - enkelt miljø i bed and breakfast-lignende.
20. Apparatet er beregnet til opvarmning af mad og drikkevarer. Tørring af mad eller tøj og opvarmning af varmpuder, hjemmesko, svampe, fugtige klude og lignende kan medføre risiko for personskade, antændelse eller brand.
21. Metalbeholdere til mad og drikkevarer må ikke bruges i mikrobølgeovne.
22. Apparatet må ikke rengøres med en damprenser.
23. Apparatet er beregnet til at blive brugt fritstående.
24. Bagsiden af apparatet skal placeres op ad en væg.
25. Apparatet er ikke beregnet til brug med et eksternt ur eller et separat fjernbetjeningssystem.
26. Temperaturen på de tilgængelige overflader kan være høj, når apparatet er i brug.
27. ADVARSEL: Hvis apparatets kombinationsfunktion bruges, må det kun betjenes af børn, der overvåges af voksne.

**LÆS OMHYGGELIGT OG OPBEVARES AF HENSYN
TIL FREMTIDIG REFERENCE.**

INSTALLER JORDFORBINDELSE FOR AT REDUCERE RISIKOEN FOR PERSONSKADE.

FARE

Fare For Elektrisk Stød

Berøring af nogle af de interne komponenter kan forårsage alvorlig personskade eller død. Skil ikke dette apparat ad.

ADVARSEL

Fare For Elektrisk Stød

Forkert brug af jordforbindelsen kan resultere i elektrisk stød. Sæt ikke stikket i en stikkontakt, før apparatet er korrekt installeret og jordet.

Dette apparat skal jordforbindes. I tilfælde af en elektrisk kortslutning reducerer jordforbindelse risikoen for elektrisk stød ved at give en flugtledning til den elektriske strøm.

Dette apparat er udstyret med en netledning med en jordledning og et jordstik. Apparatet skal tilsluttes en stikkontakt, der er korrekt installeret og jordet.

Kontakt en kvalificeret elektriker eller servicemand, hvis jordforbindelsesinstruktionerne ikke er helt forstået, eller hvis der er tvivl om, hvorvidt apparatet er korrekt jordforbundet. Hvis det er nødvendigt at bruge en forlængerledning, så brug kun en 3-leder forlængerledning.

- 1. En kort strømledning** er beregnet til at reducere risikoen for at blive viklet ind i eller snuble over en længere ledning.
- 2. Hvis der bruges et langt ledningssæt eller en forlængerledning:**
 - 1) Ledningssættets eller forlængerledningens mærkede elektriske effekt skal være mindst lige så kraftig som apparatets elektriske effekt.
 - 2) Forlængerledningen skal være en 3-leder ledning med jordforbindelse.
 - 3) Den lange ledning skal placeres, så den ikke hænger ud over køkkenbordet eller bordpladen, hvor børn kan snuble over ledningen.

RENGØRING

Sørg for at tage stikket ud af stikkontakten, før du rengør apparatet.

1. Rengør apparatets hulrum efter brug med en let fugtig klud.
2. Rengør tilbehøret i sæbevand.
3. Dørkarmen, tætningen og de tilstødende dele skal rengøres forsigtigt med en fugtig klud, når de er snavsede.
4. Brug ikke skrappe rengøringsmidler eller skarpe metalskrabere til at rengøre apparatets glasdør, da de kan ridse overfladen, hvilket kan resultere i, at glasset splintres.
5. Rengøringsstips---For lettere rengøring af hulrummets vægge, der er plettet af maden under tilberedningen: Læg en halv citron i en skål, tilsæt 300 ml (1/2 pint) vand og opvarm på 100 % mikrobølgeeffekt i 10 minutter. Tør ovnen ren med en blød, tør klud.

REDSKABER

FORSIGTIG

Fare For Personskade

Dækslet beskytter mod udsættelse for mikrobølgeenergi, så det er farligt for andre end en kompetent person at udføre service eller reparationer, der involverer fjernelse af det.

Se instruktionerne om "Materialer, du kan bruge, eller som skal undgås i mikrobølgeovnen." Nogle ikke-metalliske redskaber, der ikke er sikre at bruge til mikroovn. Hvis du er i tvivl, anbefales det at teste ved at følge nedenstående trin.

TEST AF REDSKABER:

1. Fyld en mikrobølgesikker beholder med en kop koldt vand (250 ml), og læg redskabet i den.
2. Kog på maksimal effekt i 1 minut.
3. Mærk forsigtigt på redskabet. Hvis det tomme redskab er varmt, må du ikke bruge det til mikrobølgetilberedning.
4. Overskrid ikke 1 minut, når du tester.

Materialer, du kan bruge i mikrobølgeovnen

Bemærkninger om redskaberne	Bemærkninger
Bruningsfad	Følg producentens anvisninger. Bunden af bruningsfadet skal være mindst 3/16 tomme (± 5 mm) over drejetallerkenen. Forkert brug kan få drejetallerkenen til at gå i stykker.
Service	Kun egnet til mikroovn. Følg producentens anvisninger. Brug ikke tallerkener med revner eller skår.
Krucker af glas	Fjern altid låget. Må kun bruges til at opvarme mad, indtil den er varm. De este glaskrucker er ikke varmebestandige og kan gå i stykker.
Glasvarer	Kun varmebestandigt glas til mikrobølgeovnen. Sørg for, at der ikke er metalliske kanter. Brug ikke tallerkener med revner eller skår.
Poser til mikrobølgeovn kogning	Følg producentens anvisninger. Må ikke lukkes med metalbånd. Lav slidser, så dampen kan slippe ud.
Tallerkener og kopper af papir	Må kun bruges til kortvarig tilberedning/opvarmning. Efterlad ikke ovnen uden opsyn under tilberedningen.
Papirhåndklæder	Bruges til at dække mad til genopvarmning og til at absorbere fedt. Må kun bruges under opsyn til kortvarig madlavning.
Pergamentpapir	Bruges som låg for at forhindre stænk eller som omslag til dampning.
Plastik	Kun egnet til mikroovn. Følg producentens anvisninger. Bør være mærket "Microwave Safe". Nogle plastbeholdere bliver bløde, når de bliver varme. "Kogeposer" og tætsluttende plastposer skal rives op, gennembøres eller udluftes som anvist af pakken.
Plastfolie	Kun egnet til mikroovn. Bruges til at dække maden under tilberedningen for at holde på fugten. Lad ikke plastfolien røre ved maden.
Termometre	Må kun bruges i mikroovn (kød- og sliktermometre).
Vokspapir	Bruges som låg for at forhindre stænk og holde på fugten.

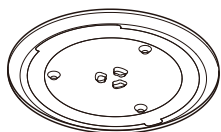
Materialer, der skal undgås i mikrobølgeovnen

Bemærkninger om redskaberne	Bemærkninger
Bakke af aluminium	Kan forårsage deformation. Overfør maden til et mikrobølgesikkert fad.
Madkarton med metalhåndtag	Kan forårsage deformation. Overfør maden til et mikrobølgesikkert fad.
Redskaber af metal eller med metalbesætning	Metal beskytter maden mod mikrobølgeenergi. Metalkanter kan forårsage deformation.
Snore af metal	Kan forårsage deformation og kan forårsage brand i ovnen.
Papirposer	Kan forårsage brand i mikrobølgeovnen.
Plastskum	Plastisk skum kan smelte eller forurene væsken inden i, når det udsættes for høj temperatur.
Træ	Træ vil tørre ud, når det bruges i mikrobølgeovnen, og det kan flække eller revne.

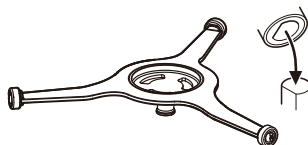
PRODUKTOVERSIGT

(I tilfælde af forskelle mellem apparatet og billederne i denne vejledning, er det produktet, der gælder).

Fjern alt emballagematerialet fra kartonen og ovnrummet.
Din mikrobølgeovn leveres med følgende tilbehør:



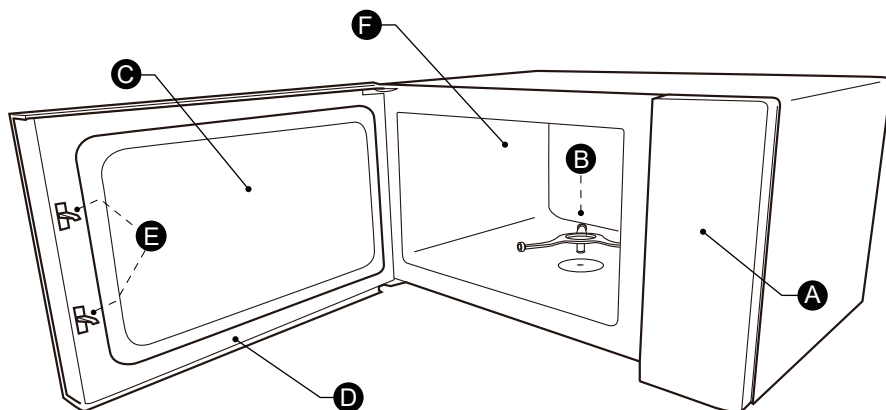
Glasplade



Ring til drejetallerken



Brugervejledning



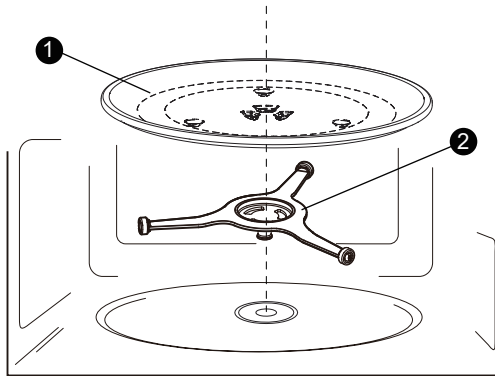
- A) Betjeningspanel
- B) Ring til drejetallerken
- C) Vindue

- D) Lågesamling
- E) Sikkerhedslåsesystem
- F) Ovnrum

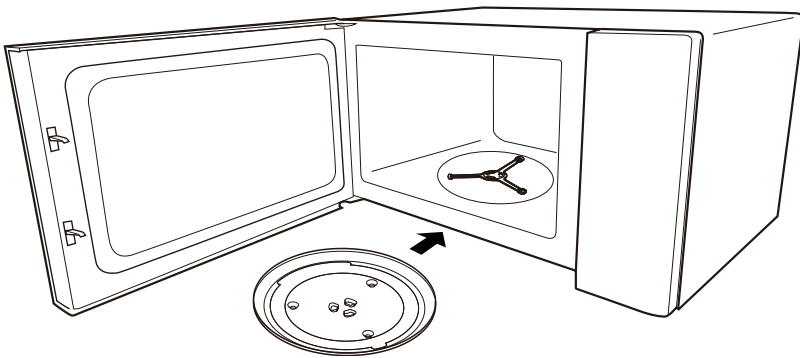
FØR BRUG

Rengøring af ovnrummet og montering af drejetallerkenen.

Når apparatet først sættes op, skal du sørge for at al emballage og forsendelsestape fjernes. Før du begynder at tilberede mad for første gang, skal du sætte drejetallerkenen på plads. Du skal også rengøre ovnrummet og tilbehøret.



- 1) Glasplade
- 2) Ring til drejetallerken



Bemærkninger:

1. Apparatet må aldrig bruges uden drejetallerken. Sørg for at den sidder ordentligt på plads. Drejetallerkenen skal kunne dreje med eller mod uret.
2. Placer aldrig glasbakken på hovedet. Glasbakken må aldrig begrænses. Den skal altid kunne dreje rundt.
3. Både glasbakken og drejetallerkenringen skal altid bruges under tilberedningen.
4. Alle fødevarer og beholdere til fødevarer skal altid placeres på glasbakken under tilberedningen.
5. Begræns aldrig drejetallerkenen. Den skal altid kunne dreje rundt.
6. Hvis glasbakken eller drejetallerkenringen revner eller går i stykker, skal du kontakte det nærmeste autoriserede servicecenter.

OPSTILLING

Montering af drejetallerken

Fjern alle emballagematerialer og tilbehør.

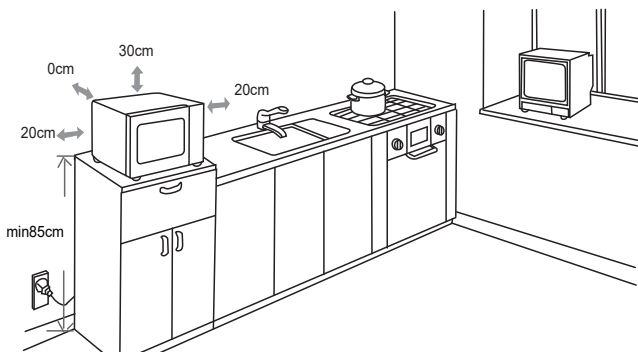
Se mikrobølgeovnen efter for eventuelle skader, såsom buler eller ødelagt låge. Hvis mikrobølgeovnen er beskadiget, må den ikke tages i brug.

Kabinet: Fjern al beskyttelsesfilm på ovnkabinettet.

Fjern ikke det lysebrune glimmerdæksel, der er fastgjort til ovnrummet for at beskytte magnetronen.

Opstilling

1. Vælg en plan overflade, hvor der er nok friplads til ventilationsåbningerne.



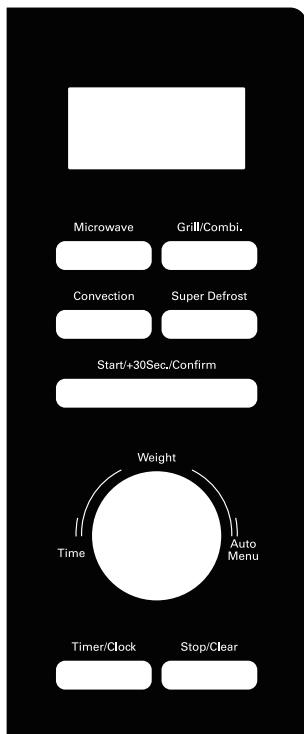
- (1) Den minimale opstillingshøjde er 85 cm.
 - (2) Mikrobølgeovnens bagside skal stilles mod en væg.
 - (3) Der skal være mindst 30 cm fri plads over mikrobølgeovnen og mindst 20 cm fri plads mellem mikrobølgeovnen og væggene ved siden af.
 - (4) Fødderne må ikke tages af på bunden af mikrobølgeovnen.
 - (5) Hvis mikrobølgeovnens ventilationsåbninger blokeres, kan den tage skade.
 - (6) Placer mikrobølgeovnen så langt væk fra radioer og tv som muligt. Brug af mikrobølgeovnen kan forårsage interferens i din radio- eller tv-modtagelse.
2. Sæt mikrobølgeovnen i en almindelig stikkontakt. Sørg for at spændingen og frekvensen i stikkontakten er ens med spændingen og frekvensen, der står på apparatets typeskilt.

ADVERSEL: Mikrobølgeovnen må ikke monteres over en kogeplade eller andre varmeafgivende mikrobølgeovne. Hvis mikrobølgeovnen stilles i nærheden af en varmekilde, kan den tage skade, hvilket betyder at garantien bortfalder.



Den tilgængelige overflade kan blive varm under brug.

BETJENINGSPANEL



Skærm:

Her vises tiden, styrken og indikatorerne.

Microwave (Mikrobølge):

Mikrobølgefunktion og indstilling af styrke.

Grill/Combi. (Grill/Kombi):

Grillfunktion, eller en kombination af grill og mikrobølger.

Convection (Konvektion):

Indstilling af konvektionsfunktionen.

Super Defrost (Super optøning):

Optøning efter tid eller vægt.

Start/+30Sec./Confirm (+ 30 sek./Bekræft):

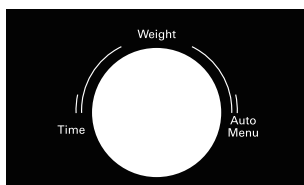
Start/bekræft et program, eller start en hurtig tilberedning på fuld styrke, når apparatet er på standby.

Timer/Clock (Ur):

Indstilling af timeren eller uret.

Stop/Clear (Ryd):

Stop eller annuller et program.



En tilføjelse til andre knapper, når styrken, tilberedningstiden, optøningstiden eller vægten indstilles.

BETJENING

1. Indstilling af uret

- (1) Tryk to gange på "Timer/Clock", hvorefter skærmen viser "00:00".
- (2) Drej knappen for at indstille timerne, som skal være mellem 0-23.
- (3) Tryk på "Timer/Clock" for at bekræfte.
- (4) Drej knappen for at indstille minutterne, som skal være mellem 0-59.
- (5) Tryk på "Timer/Clock" for at bekræfte. Uret er nu indstillet.

Bemærkninger:

- (1) Uret vises i et 24-timers format. Hvis uret ikke indstilles, virker det ikke, når apparatet tændes.
- (2) For at nulstille uret, skal du gentage trin 1 til trin 5.
- (3) Hvis der ikke trykkes på "Timer/Clock"-knappen efter trin 4, eller hvis der ikke gøres noget inden for 5 minut, indstilles uret ikke.

2. Indstilling af køkkenuret

- (1) Tryk én gang på "Timer/Clock"-knappen, hvorefter skærmen viser "00:00".
- (2) Drej knoppen for at indstille den ønskede tid. Den maksimale værdi er "95:00".
- (3) Tryk på "Start/+30Sec./Confirm" for, at bekræfte. Timeren begynder at tælle ned.

Bemærk: Det er ikke muligt at indstille nogen programmer under timeren.

3. Tilberedning i mikrobølgeovnen

Styrkeindstillinger

Styrkeindstilling	100%	80%	50%	30%	10%
Visning	P100	P80	P50	P30	P10

- (1) Tryk på "Microwave", hvorefter skærmen viser "P100".
- (2) Tryk gentagne gange på "Microwave", eller drej knappen for at indstille styrken: Mikrobølgeovnen har 5 styrker.
- (3) Tryk på "Start/+30Sec./Confirm" for, at bekræfte styrken.
- (4) Drej knoppen for at indstille tilberedningstiden. Den maksimale værdi er "95:00".
- (5) Tryk på "Start/+30Sec./Confirm" for, at starte tilberedningen.

Bemærk: Hvis ovnlågen åbnes eller hvis der trykkes på "Stop/Clear" under drift, afbrydes den aktuelle funktion.

4. Grillmadlavning

- (1) Tryk på "Grill/Combi.", hvorefter skærmen viser "G-1", og tryk derefter på "Start/ +30Sec./ Confirm".
- (2) Drej knoppen for at indstille den ønskede tilberedningstid. Den maksimale værdi er "95:00".
- (3) Tryk på "Start/ +30Sec./ Confirm" for at starte tilberedningen.

Bemærk: Når halvdelen af tiden er gået, lyder summeren for at minde dig på at maden skal vendes. Hvis du ikke gør noget, fortsætter ovnen med at køre.

5. Kombinationsmadlavning

- (1) Tryk én gang på "Grill/Combi.", hvorefter skærmen viser "G-1". Og tryk derefter gentagne gange på "Grill/Combi." eller drej knoppen for at vælge den ønskede styrke, hvorefter "C-1", "C-2", "C-3" og "C-4" vises i rækkefølge.
- (2) Tryk på "Start/ +30Sec./ Confirm" for at bekræfte.
- (3) Drej knoppen for at indstille den ønskede tilberedningstid. Den maksimale værdi er "95:00".
- (4) Tryk på "Start/ +30Sec./ Confirm" for at starte tilberedningen.

Bemærk: Vejledning til kombineret tilberedning

Vejledninger	Visning	Mikrobølgeovn	Grill	Konvektion
1	C-1	●		●
2	C-2	●	●	
3	C-3		●	●
4	C-4	●	●	●

6. Konvektionstilberedning med forvarmning

- (1) Tryk én gang på "Convection", hvorefter skærmen viser "150 °C".
- (2) Tryk gentagne gange på "Convection", eller drej knoppen for at indstille temperaturen. Du kan vælge mellem 150, 160, 170, 180, 190, 200, 210, 220, 230 og 240°C.
- (3) Tryk på "Start/ +30Sec./ Confirm" for at bekræfte temperaturen.
- (4) Tryk på "Start/ +30Sec./ Confirm" igen for at indstille forvarmningen.
- (5) Når forvarmningen er færdig, bipper ovnen to gange. Åbn lågen og sæt maden i ovnen.
- (6) Luk ovn-lågen.
- (7) Drej knoppen for at indstille den ønskede tilberedningstid. Den maksimale værdi er "95:00".
- (8) Tryk på "Start/ +30Sec./ Confirm" for at starte tilberedningen.

7. Konvektionstilberedning uden forvarmning

- (1) Tryk én gang på "Convection", hvorefter skærmen viser "150 °C".
- (2) Tryk gentagne gange på "Convection", eller drej knoppen for at indstille temperaturen. Du kan vælge mellem 150, 160, 170, 180, 190, 200, 210, 220, 230 og 240°C.
- (3) Tryk på "Start/ +30Sec./ Confirm" for at bekræfte temperaturen.
- (4) Drej knoppen for at indstille den ønskede tilberedningstid. Den maksimale værdi er "95:00".
- (5) Tryk på "Start/ +30Sec./ Confirm" for at starte tilberedningen.

8. Optøning efter vægt

- (1) Tryk én gang på "Super Defrost", hvorefter skærmen viser "dEF1".
- (2) Drej knoppen for at indstille fødevarens vægt. Vægten kan indstilles til 100-2000g.
- (3) Tryk på "Start/ +30Sec./ Confirm" for at starte optøningen.

Bemærk: Alarmen lyder for at minde dig på at maden skal vendes under optøningen. Hvis du ikke gør noget, fortsætter ovnen med at køre.

9. Optøning efter tid

- (1) Tryk to gange på "Super Defrost", hvorefter skærmen viser "dEF2".
- (2) Drej knoppen for at indstille den ønskede optøningstid. Den maksimale værdi er "95:00".
- (3) Tryk på "Start/+30Sec./Confirm" for, at starte optøningen.

Bemærkninger:

- (1) Når halvdelen af tiden er gået, lyder summeren for at minde dig på at maden skal vendes. Hvis du ikke gør noget, fortsætter ovnen med at køre.
- (2) Standardstyrken er P30, og dette kan ikke ændres.

10. Tilberedning i flere trin

Bemærkninger:

- (1) Ved tilberedning i flere trin kan du bruge to tilberedningstrin.
- (2) Hvis du bruger optøningsfunktionen, bruges den automatisk i første trin.
- (3) Programmerne Køkkenur og Automenu kan ikke bruges ved tilberedning i flere trin.

Eksempel: Hvis du vil optø maden i 5 minutter og derefter tilberede den på 80 % mikrobølgestyrke i 7 minutter, skal du gøre følgende:

- (1) Tryk to gange på "Super Defrost", hvorefter skærmen viser "dEF2".
- (2) Drej knoppen for at indstille den ønskede optøningstid på 5 minutter.
- (3) Tryk på "Microwave", hvorefter skærmen viser "P100".
- (4) Drej knoppen og sæt styrken på P80.
- (5) Tryk på "Start/ +30Sec./ Confirm" for at bekræfte styrken.
- (6) Drej knoppen for at indstille tilberedningstiden på 7 minutter.
- (7) Tryk på "Start/ +30Sec./ Confirm" for at starte tilberedningen.

11. Hurtig tilberedning

- (1) Når apparatet er på standby, skal du trykke på "Start/ +30Sec./ Confirm" for at tilberede maden på 100% styrke i 30 sekunder. Hvert tryk på den samme knap, forlænger tilberedningen med 30 sekunder op til 95 minutter.
- (2) Sørg for at ovnen er på standby, og drej knoppen til venstre for at indstille en tilberedningstid på 100 % styrke. Drej knoppen for at indstille tilberedningstiden. Tryk derefter på "Start/ +30Sec./ Confirm" for at starte tilberedningen.

12. Børnesikring

Du kan bruge denne funktion til at forhindre børn i at tænde for apparatet ved et uheld.

Sådan slår du børnesikringen til:

Sørg for at ovnen står på standby, og hold "Stop/Clear"-knappen nede i 3 sekunder. Apparatet siger et bip, og et lås-ikon vises.

Sådan slår du børnesikringen fra:

Når apparatet er låst, skal du holde "Stop/Clear"-knappen nede i 3 sekunder. Der lyder et bip for at fortælle at låsen er slået fra, og låseikonet forsvinder.

13. Visning af tids- og tilberedningsoplysningerne

- (1) Hvis uret indstilles, kan du se den aktuelle tid i tre sekunder ved at trykke på "Timer/Clock", når apparatet er på tilberedningsfunktionen.
- (2) Når apparatet er på mikrobølgefunktionen, skal du trykke på "Microwave" for at se styrken. Dette vises i tre sekunder. Når apparatet er på grill-funktionen, kan dette vises på samme måde, som beskrevet ovenfor.

14. Automenu

- (1) Drej knoppen til højre og sæt den på "Automenu", hvorefter skærmen viser "A-01".
- (2) Fortsæt med at drej knoppen for at vælge den ønskede menu. Du kan vælge mellem 10 automatiske menuer.
- (3) Tryk på "Start/ +30Sec./ Confirm" for at bekræfte.
- (4) Drej knoppen for at indstille fødevarens vægt.
- (5) Tryk på "Start/ +30Sec./ Confirm" for at starte tilberedningen.

Bemærkninger:

- (1) Hvis ovnlågen åbnes eller hvis der trykkes på "Stop/Clear" under drift, afbrydes den aktuelle funktion.
- (2) Hvis apparatet er på standby, skal knoppen først drejes til højre for at vælge "Automenu". Hvis knappen først drejes til venstre, åbnes tilberedningstiden til hurtig tilberedning.
- (3) Summeren lyder for at minde på at maden skal vendes, når menuen A-10 bruges.

Oversigt over automenuerne

Menu	Vægt/Mængde	Visning	Styrke
A1 AUTOMATISK GENOPVARMNING	150 g	150 g	100 %
	250g	250g	
	350g	350g	
	450g	450g	
	600g	600g	
A2 KARTOFFLER	1 stk. (ca. 230 g)	1	100 %
	2 stk. (ca. 450 g)	2	
	3 stk. (ca. 650g)	3	
A3 KØD	150 g	150 g	80 %
	350g	350g	
	450g	450g	
	600g	600g	
A4 GRØNTSAGER	150 g	150 g	100 %
	350g	350g	
	500g	500g	
A5 FISK	150 g	150 g	80 %
	250g	250g	
	350g	350g	
	450g	450g	
	650g	650g	
A6 PASTA	50 g (med 450 g koldt vand)	50g	80 %
	100g (med 800g koldt vand)	100g	
	150g (med 1200g koldt vand)	150 g	
A7 SUPPE	200g	200g	100 %
	400g	400g	
	600g	600g	
A8 KAGE	475g	475g	forvarm 160°C Konvektion 160°C
A9 PIZZA	100g	100g	C-4
	200g	200g	
	300g	300g	
A10 KYLNING	500g	500g	C-4/C-4
	750g	750g	
	1000g	1000g	
	1200g	1200g	

FEJLFINDING

Normal	
Mikrobølgeovnen forstyrrer tv-modtagelsen	Radio- og tv-modtagelse kan blive forstyrret, når mikrobølgeovnen er i brug. Det svarer til forstyrrelser fra små elektriske apparater som f.eks. røremaskine, støvsuger og elektrisk ventilator. Det er helt normalt.
Dæmpet lys	Ved madlavning på en lav styrke, dæmpes lyset muligvis. Det er helt normalt.
Damp samler sig på lågen, varm luft kommer ud af ventilationsåbningerne	Under tilberedningen kan der komme damp ud af maden. Det meste damp kommer ud af ventilationsåbningerne. Men noget af dampen kan samle sig på et køligt sted, såsom på lågen. Det er helt normalt.
Mikrobølgeovnen starter ved et uheld uden fødevarer i.	Apparatet må ikke startes uden fødevarer i. Dette er meget farligt.

Problem	Mulig årsag	Løsning
Mikrobølgeovnen kan ikke startes.	(1) Ledningen er ikke sat ordentligt i.	Træk stikket ud. Sæt derefter stikket i igen efter 10 sekunder.
	(2) Sikringen springer, eller afbryderen virker ikke.	Udskift sikringen, eller nulstil afbryderen (repareres af fagfolk)
	(3) Problemer med stikkontakten.	Test stikkontakten med andre elektriske apparater.
Mikrobølgeovnen varmer ikke.	Lågen er ikke lukket ordentligt.	Luk lågen ordentligt.

SPECIFIKATIONER

Model:	POMW7025GB
Nominel spænding:	230V~ 50Hz
Nominel indgangseffekt (mikrobølger):	1350W
Nominel udgangseffekt (mikrobølger):	900W
Nominel indgangseffekt (grill):	1000W
Nominel indgangseffekt (konvektion):	2100W
Mikrobølgeovnens kapacitet:	25L
Produktmål:	290mm (H) x 495mm (B) x 439mm (D)



I henhold til direktivet om affald af elektrisk og elektronisk udstyr (WEEE), skal apparatet indsamles og behandles separat. Hvis du på et tidspunkt i fremtiden får brug for at bortskaffe dette produkt, må du IKKE bortskaffe det sammen med husholdningsaffaldet. Send venligst dette produkt til WEEE-indsamlingssteder, hvor det er tilgængeligt.

Power International AS,
PO Box 523, N-1471 Lørenskog, Norway

Power Norge:
<https://www.power.no/kundeservice/>
T: 21 00 40 00

Power Danmark:
<https://www.power.dk/kundeservice/>
T: 70 33 80 80

Punkt 1 Danmark:
<https://www.punkt1.dk/kundeservice/>
T: 70 70 17 07

Power Finland:
<https://www.power.fi/tuki/asiakaspalvelu/>
T: 0305 0305

Power Sverige:
<https://www.power.se/kundeservice/>
T: 08 517 66 000

FÖRSIKTIGHETSÅTGÄRDER FÖR ATT UNDVIKA RISK FÖR EXPONERING FÖR HÖG MIKROVÅGSENERGI:

- a) Försök inte använda denna mikrovågsugn med luckan öppen eftersom detta kan leda till skadlig exponering för mikrovågsenergi. Det är viktigt att inte skada eller manipulera säkerhetsspärrarna.
- b) Placera inga föremål mellan mikrovågsugnens front och lucka och låt inte olja eller matrester ansamlas på tätningssytorna.
- c) VARNING: Om luckan eller lucktätningen är skadad får du inte använda mikrovågsugnen förrän den har reparerats av en behörig person.
- d) Om apparaten inte hålls väl rengjord kan dess yta försämrats, vilket påverkar dess livslängd och till och med kan leda till en farlig situation.

VIKTIGA SÄKERHETSANVISNINGAR VARNING

För att minska risken för brand, elektriska stötar, personskador eller exponering för överdriven mikrovågsugnsenergi, följ grundläggande försiktighetsåtgärder när du använder din apparat:

1. Läs och följ de särskilda "FÖRSIKTIGHETSÅTGÄRDER FÖR ATT UNDVIKA MÖJLIG EXPONERING FÖR EXCESSIV MIKROVÅGENERGI".
2. Denna maskin får användas av barn från 8 år och uppåt och personer med nedsatt fysisk, sensorisk eller mental förmåga eller av personer som saknar erfarenhet och kunskap om det sker under uppsyn eller om de får anvisningar om hur man använder maskinen på ett säkert sätt och är medveten om riskerna. Barn får inte leka med maskinen. Rengöring och användarunderhåll skall inte utföras av barn under 8 år och utan tillsyn. Barn som är yngre än 8 år skall hållas på avstånd om de inte står under ständig uppsikt.
3. Förvara apparaten och dess sladd utom räckhåll för barn under 8 år.
4. Om nätkabeln är skadad måste den bytas ut av tillverkaren, dennes serviceverkstad eller liknande kvalificerade personer för att undvika fara (För apparat med typ Y-tillsats).
5. VARNING: För att undvika risken för elektriska stötar, se till att apparaten är avstängd innan lampan byts ut.
6. VARNING: Skyddet ger skydd mot exponering för mikrovågsenergi och det är farligt för någon annan än en behörig person att utföra service eller reparationer som innebär att skyddet tas bort.

7. VARNING: Vätskor eller andra livsmedel får inte värmas i förslutna behållare eftersom de riskerar att explodera.
8. När du värmer mat i plast- eller pappersbehållare, håll ett öga på mikrovågsugnen eftersom det finns en risk för antändning.
9. Använd endast redskap som är lämpliga för mikrovågsugnar under drift.
10. Om mikrovågsugnen ger ifrån sig rök, stäng av eller dra ut kontakten och håll luckan stängd för att kväva eventuella lågor.
11. Mikrovågsuppvärmning av drycker kan leda till efterföljande eruptiv kokning, därför måste försiktighet iakttas vid hantering av behållaren.
12. Innehållet i nappflaskor och barnmatsburkar ska röras om eller skakas, och temperaturen ska kontrolleras före konsumtion för att undvika brännskador på barnet.
13. Ägg i skal och hela hårdkokta ägg ska inte värmas i mikrovågsugnar eftersom de kan explodera även efter att mikrovågsuppvärmningen har avslutats.
14. Apparaten ska rengöras regelbundet så att alla matrester avlägsnas.
15. Om apparaten inte hålls ren kan det leda till att ytan försämras, vilket kan påverka apparatens livslängd och eventuellt leda till en farlig situation.
16. Apparaten får inte installeras bakom en dekorationslucka, för att undvika överhettning (Detta gäller inte för apparater med dekorativ lucka)
17. Använd endast den temperatursond som rekommenderas för denna apparat (för mikrovågsugnar med möjlighet att använda en temperatursond).

18. Mikrovågsugnen får inte placeras i ett skåp om den inte har testats som säker att använda i ett skåp.
19. Den här apparaten är avsedd för användning i hushåll och liknande användningsområden, exempelvis:
 - personalkök i butiker, på kontor och andra arbetsplatser;
 - av gäster på hotell, motell och andra former av boendemiljöer;
 - gårdshotell;
 - enkel miljö i bed and breakfast-typ.
20. Apparaten är avsedd för uppvärmning av mat och dryck. Att torka mat eller kläder och värma värmedynor, tofflor, svampar, fuktiga kläder och liknande kan leda till risk för personskador, antändning eller brand.
21. Det är inte tillåtet att använda metallbehållare för mat och dryck under tillagning i mikrovågsugn.
22. Apparaten får inte rengöras med ångrengörare.
23. Apparaten är avsedd att användas fristående.
24. Apparatens baksida ska placeras mot en vägg.
25. Apparaterna är inte avsedda att drivas med hjälp av en extern timer eller separat fjärrkontroll.
26. Temperaturen på åtkomliga ytor kan vara hög när apparaten är i drift.
27. VARNING: När apparaten används i kombinationsläget får barn endast använda apparaten under uppsikt av en vuxen.

LÄS NOGA OCH BEHÅLL FÖR FRAMTIDA REFERENS.

FÖR ATT MINSKA RISKEN FÖR PERSONSKADOR, INSTALLERA JORDNING.

FARA

Risk För Elektriska Stötar

Om du vidrör några av de interna komponenterna kan det leda till allvarliga personskador eller dödsfall. Ta inte isär denna apparat.

VARNING

Risk För Elektriska Stötar

Felaktig användning av jordningen kan leda till elektriska stötar. Anslut inte apparaten till ett eluttag förrän den är korrekt installerad och jordad.

Denna apparat måste vara jordad. Vid en kortslutning minskar jordningen risken för elektriska stötar genom att erbjuda en avledning för den elektriska strömmen.

Denna apparat är utrustad med en nätsladd med jordkabel och jordkontakt. Apparaten måste anslutas till ett uttag som är rätt installerat och jordat.

Kontakta en behörig elektriker eller servicetekniker om du inte förstår jordningsanvisningarna eller om du är osäker på om apparaten är korrekt jordad. Om du måste använda en förlängningssladd, använd endast en förlängningssladd med 3 ledningar.

- 1. En kort nätkabel** medföljer för att minska risken för att trassla in sig i eller snubbla över en längre sladd.
- 2. Om en lång sladd eller förlängningssladd används:**
 - 1) Den märkta elektriska kapaciteten för sladdsetsen eller förlängningssladden bör vara minst lika stark som den elektriska kapaciteten för apparaten.
 - 2) Förlängningssladden måste vara en jordad 3-ledarsladd.
 - 3) Den långa sladden bör placeras så att den inte hänger över bänkskivan eller bordsskivan där barn kan snubbla över sladden.

RENGÖRING

Var noga med att koppla bort apparaten från elnätet före rengöring.

1. Rengör apparatutrymmet med en lätt fuktad trasa efter användning.
2. Rengör tillbehören med vatten och såpa.
3. Luckans karm, tätning och angränsande delar måste rengöras noggrant med en fuktig trasa när de är smutsiga.
4. Använd inte starka slipande rengöringsmedel eller vassa metallskrapor för att rengöra apparatens glaslucka eftersom de kan repa ytan, vilket kan leda till att glaset splittras.
5. Rengöringstips---För enklare rengöring av hållrummets väggar som fläckats av maten under tillagningen: Lägg en halv citron i en skål, tillsätt 3 dl vatten och värm på 100% mikrovågseffekt i 10 minuter. Torka rent ugnen med en mjuk, torr trasa.

REDSKAP

FÖRSIKTIGHET

Risk För Personskada

Skyddet ger skydd mot exponering för mikrovågsenergi och det är farligt för någon annan än en behörig person att utföra service eller reparationer som innebär att skyddet tas bort.

Se anvisningarna under "Material som kan användas eller som bör undvikas i mikrovågsugnen." Vissa icke-metalliska redskap är inte säkra att använda i mikrovågsugn. Om du är osäker rekommenderas du att testa följande steg nedan.

TEST AV REDSKAP:

1. Fyll en mikrovågssäker behållare med en kopp kallt vatten (2,5 dl) och lägg i redskapet.
2. Koka på högsta effekt i 1 minut.
3. Känn försiktigt på redskapet. Om det tomma redskapet är varmt, använd det inte för mikrovågstillagning.
4. Överskrid inte 1 minut vid testning.

Material som du kan använda i mikrovågsugnen

Anmärkningar gällande tillbehör	Anmärkningar
Brynfat	Följ tillverkarens anvisningar. Botten på brynfatet måste vara minst 3/16 tum (± 5 mm) över den roterande tallriken. Felaktig användning kan leda till att tallriken går sönder.
Matservis	Endast mikrovågssäker. Följ tillverkarens anvisningar. Använd inte porslin med sprickor eller isor.
Glaskanna	Ta alltid bort locket. Använd endast för att värma mat tills den är varm. De flesta glasburkar är inte värmetåliga och kan gå sönder.
Glas	Endast värmetåligt glas för mikrovågsugn. Kontrollera att det inte finns några metall detaljer. Använd inte porslin med sprickor eller flisor.
Matlagningspåsar för mikrovågsugn	Följ tillverkarens anvisningar. Stäng inte med metallband. Gör slitsar så att ångan kan komma ut.
Papperstallriker och muggar	Får endast användas för kortvarig matlagning/uppvärmning. Lämna inte ugnen utan uppsikt under tillagningen.
Pappershanddukar	Används för att täcka mat som ska värmas upp och absorbera fett. Får endast användas under uppsikt för kortvarig matlagning.
Bakplåts papper	Använd som lock för att förhindra stänk eller som omslag vid ångkokning.
Plast	Endast mikrovågssäker. Följ tillverkarens anvisningar. Bör vara märkt med "Mikrovågssäker". Vissa plastbehållare mjuknar när de blir varma. "Kokpåsar" och tättslutande plastpåsar ska slitsas, stickas hål på eller ventileras enligt förpackningens anvisningar.
Plastfolie	Endast mikrovågssäker. Används för att täcka mat under tillagning för att behålla fukten. Låt inte plastfolien komma i kontakt med maten.
Termometrar	Endast mikrovågssäkra (kött- och sockertermometrar).
Vaxpapper	Använd som lock för att förhindra stänk och behålla fukten.

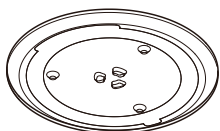
Material som ska undvikas i mikrovågsugn

Anmärkningar gällande tillbehör	Anmärkningar
Aluminiumbricka	Kan orsaka deformation. Överför maten till en mikrovågssäker skål.
Matförpackning med metallhandtag	Kan orsaka deformation. Överför maten till en mikrovågssäker skål.
Redskap av metall eller med metall detaljer	Metall skyddar maten från mikrovågsenergi. Metall delar kan orsaka deformation.
Snoddar av metall	Kan orsaka deformation och brand i skåpet.
Papperspåsar	Kan orsaka brand i mikrovågsugnen.
Skumplast	Skumplast kan smälta eller förorena vätskan inuti när den utsätts för hög temperatur.
Trä	Trä torkar ut när det används i mikrovågsugn och kan falla sönder eller få sprickor.

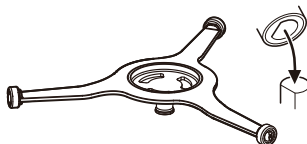
PRODUKTÖVERSIKT

(I händelse av skillnader mellan apparaten och bilderna i denna bruksanvisning är det produkten som gäller)

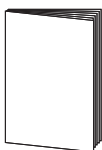
Ta bort allt förpackningsmaterial från kartongen och apparaten.
Mikrovågsugnen levereras med följande tillbehör:



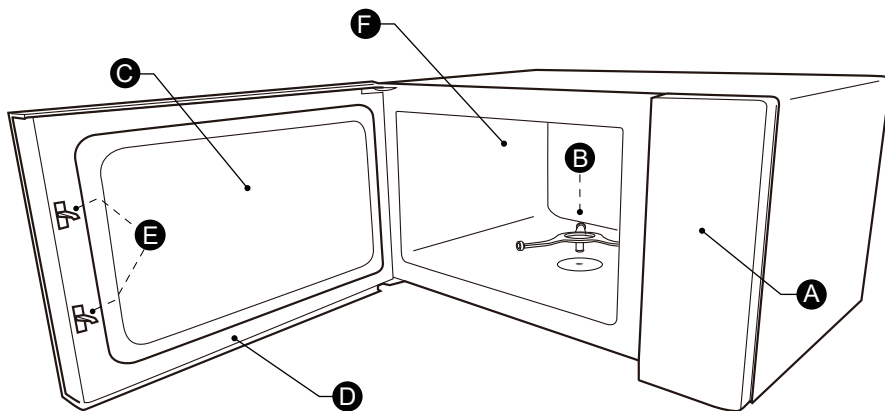
Glastallrik



Roterande ring



Bruksanvisning



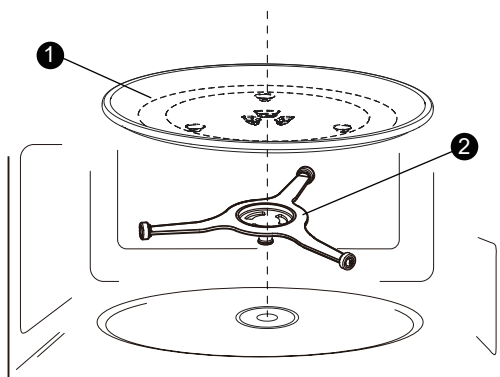
- A) Kontrollpanel
- B) Roterande ring
- C) Observationsfönster

- D) Lucka
- E) Säkerhetsspärrsystem
- F) Ugnsutrymme

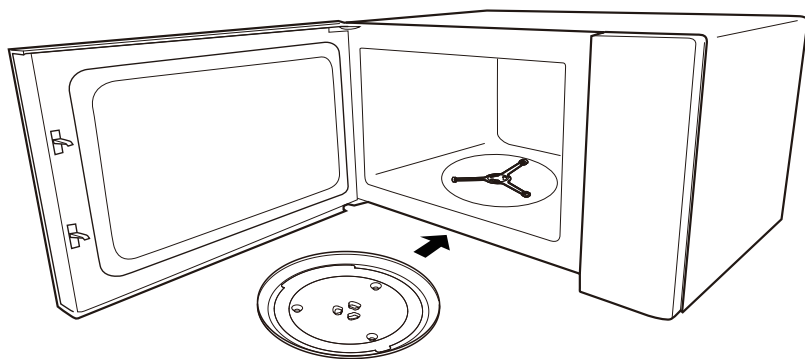
INNAN FÖRSTA ANVÄNDNINGEN

Rengör matlagningsutrymmet och placera den roterande ringen och tallriken.

Vid nyinstallation, se till att all förpackning och transporttejp har avlägsnats. Innan du använder apparaten för att tillaga mat för första gången måste du placera roterande ringen och tallriken på rätt plats. Du måste rengöra ugnsutrymmet och tillbehören.



- 1) Glastallrik
- 2) Roterande ring



Anmärkningar:

1. Använd aldrig apparaten utan tallriken. Kontrollera att den är ordentligt inkopplad. Tallriken kan snurra medurs eller moturs.
2. Placera aldrig glastallriken upp och ned. Glastallriken får aldrig hindras.
3. Både glastallriken och roterande ringen måste alltid användas vid tillagning.
4. All mat och alla matbehållare måste placeras på glastallriken för tillagning.
5. Begränsa aldrig den roterande ringens rörelse.
6. Om glastallriken eller roterande ringen spricker eller går sönder, kontakta närmaste auktoriserade serviceverkstad.

INSTALLATION

Installation av roterande ring

Ta bort allt förpackningsmaterial och alla tillbehör.

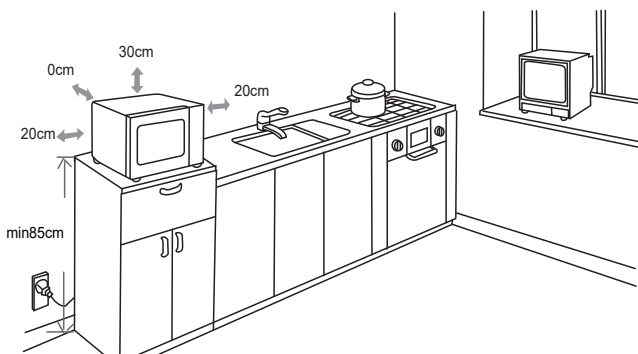
Undersök om mikrovågsugnen har några skador, t.ex. bucklor eller en trasig lucka. Installera inte om mikrovågsugnen är skadad.

Skåp: Ta bort eventuell skyddsfilm som finns på mikrovågsugnens skåpsyta.

Ta inte bort det ljusbruna glimmerhöljet som är fäst i mikrovågsugnens hålrum för att skydda magnetronen.

Installation

1. Välj en jämn yta som ger tillräckligt utrymme för inlopps- och/eller utloppsventilerna.



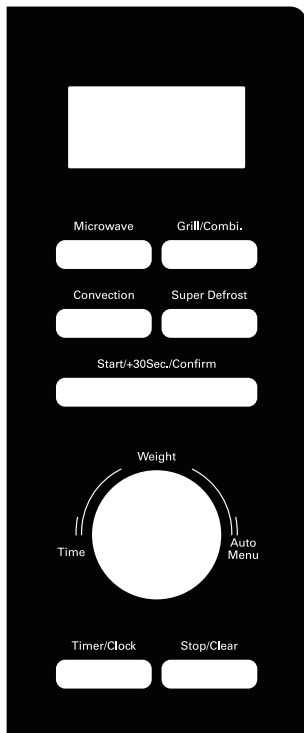
- (1) Minsta installationshöjd är 85 cm.
 - (2) Mikrovågsugnens bakre yta ska placeras mot en vägg.
 - (3) Lämna ett fritt utrymme på minst 30 cm ovanför mikrovågsugnen och ett fritt utrymme på minst 20 cm mellan mikrovågsugnen och intilliggande väggar.
 - (4) Ta inte bort fötterna från mikrovågsugnens underdel.
 - (5) Om inlopps- och/eller utloppsöppningarna blockeras kan mikrovågsugnen skadas.
 - (6) Placera mikrovågsugnen så långt bort från radio- och TV-apparater som möjligt.
Användning av mikrovågsugn kan orsaka störningar i din radio- eller TV-mottagning.
2. Anslut mikrovågsugnen till ett vanligt hushållsuttag. Kontrollera att spänningen och frekvensen är samma som spänningen och frekvensen på märkskylten.

WARNING: Installera inte mikrovågsugnen över en spishäll eller annan värmealstrande mikrovågsugn. Om mikrovågsugnen installeras nära eller över en värmekälla kan den skadas och garantin upphör att gälla.



Den tillgängliga ytan kan vara varm under drift.

KONTROLLPANEL



Display:

Tid, effekt och indikatorer visas.

Microwave:

Mikrovågsfunktion och inställning av effektnivå.

Grill/Combi.:

Grillfunktion eller grill- och mikrovågskombination.

Convection:

Inställning av konvektionsfunktion.

Super Defrost:

Upptining efter tid eller vikt.

Start/+30Sec./Confirm:

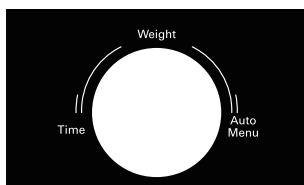
Starta/bekräfta program eller snabbstarta tillagning i standby-läge med full effektnivå.

Timer/Clock:

Inställning av timer eller klocka.

Stop/Clear:

Stoppa eller avbryt program.



Ett tillägg till andra knappar vid justering av effektnivå, tillagningstid, upptiningstid eller vikt etc.

ANVÄNDNING

1. Ställa in klockan

- (1) Tryck två gånger på "Timer/Clock" och sedan visas "00:00".
- (2) Vrid på reglaget för att ställa in timmen, den ska ligga inom 0-23.
- (3) Tryck på "Timer/Clock" för att bekräfta.
- (4) Vrid på reglaget för att ställa in minuten, den ska ligga inom 0-59.
- (5) Tryck på "Timer/Clock" för att bekräfta. Klockan är inställd.

Anmärkningar:

- (1) Klockan visar 24 timmar. Om klockan inte är inställd kommer den inte att fungera när den strömförsörjs.
- (2) För att återställa klockan, upprepa steg 1 till steg 5.
- (3) Efter steg 4, om "Timer/Clock" inte trycks in och det inte sker någon manövrering inom 5 minuter, är inställningen ogiltig.

2. Inställning av kökstimern

- (1) Tryck en gång på "Timer/Clock" och sedan visas "00:00".
- (2) Vrid på reglaget för att ställa in önskad tid. Det maximala tidsvärdet är "95:00".
- (3) Tryck på "Start/+30Sec./Confirm" för att bekräfta. Timern börjar räkna ned.

Obs: Inga program kan ställas in när kökstimern används.

3. Mikrovågstillagning

Effektnivåer

Effektnivå	100%	80%	50%	30%	10%
Display	P100	P80	P50	P30	P10

- (1) Tryck på "Microwave" och sedan visas "P100".
- (2) Tryck på "Microwave" upprepade gånger eller vrid på reglaget för att ställa in effektnivån. 5 effektnivåer är tillgängliga.
- (3) Tryck på "Start/+30Sec./Confirm" för att bekräfta effektnivån.
- (4) Vrid på reglaget för att justera tillagningstiden. Det maximala tidsvärdet är "95:00".
- (5) Tryck på "Start/+30Sec./Confirm" för att starta tillagningen.

Obs: Om du öppnar ugnsluckan eller trycker på "Stop/Clear" under drift avbryts det aktuella läget.

4. Grillning

- (1) Tryck på "Grill/Combi." och sedan visas "G-1", tryck sedan på "Start/ +30Sec./ Confirm".
- (2) Vrid på reglaget för att ställa in tillagningstiden. Det maximala tidsvärdet är "95:00".
- (3) Tryck på "Start/ +30Sec./ Confirm" för att starta tillagningen.

Obs: När halva tiden har gått hörs en ljudsignal som påminner dig om att vända på maten. Om ingen åtgärd vidtas fortsätter ugnen att fungera.

5. Kombinerad matlagning

- (1) Tryck en gång på "Grill/Combi." och "G-1" visas. Tryck sedan på "Grill/Combi." upprepade gånger eller vrid reglaget för att välja önskad effekt, "C-1", "C-2", "C-3" och "C-4" visas i ordning.
- (2) Tryck på "Start/ +30Sec./ Confirm" för att bekräfta.
- (3) Vrid på reglaget för att ställa in tillagningstiden. Det maximala tidsvärdet är "95:00".
- (4) Tryck på "Start/ +30Sec./ Confirm" för att starta tillagningen.

Obs: Instruktioner för kombination

Instruktioner	Display	Mikrovågor	Grill	Värmeströmning
1	C-1	●		●
2	C-2	●	●	
3	C-3		●	●
4	C-4	●	●	●

6. Konvektionsmatlagning med förvärmningsfunktion

- (1) Tryck en gång på "Convection" och därefter visas "150°C".
- (2) Tryck på "Convection" upprepade gånger eller vrid reglaget för att ställa in temperaturen. 10 alternativ finns tillgängliga, inklusive 150, 160, 170, 180, 190, 200, 210, 220, 230, 240°C.
- (3) Tryck på "Start/ +30Sec./ Confirm" för att bekräfta temperaturen.
- (4) Tryck på "Start/ +30Sec./ Confirm" igen för att gå till förvärmningsinställningen.
- (5) När förvärmningen är klar avger ugnen två ljudsignaler. Öppna luckan och ställ in maten i ugnen.
- (6) Stäng ugnsluckan.
- (7) Vrid på reglaget för att ställa in tillagningstiden. Det maximala tidsvärdet är "95:00".
- (8) Tryck på "Start/ +30Sec./ Confirm" för att starta tillagningen.

7. Konvektionsmatlagning utan förvärmningsfunktion

- (1) Tryck en gång på "Convection" och därefter visas "150°C".
- (2) Tryck på "Convection" upprepade gånger eller vrid reglaget för att ställa in temperaturen. 10 alternativ finns tillgängliga, inklusive 150, 160, 170, 180, 190, 200, 210, 220, 230, 240°C.
- (3) Tryck på "Start/ +30Sec./ Confirm" för att bekräfta temperaturen.
- (4) Vrid på reglaget för att ställa in tillagningstiden. Det maximala tidsvärdet är "95:00".
- (5) Tryck på "Start/ +30Sec./ Confirm" för att starta tillagningen.

8. Tina efter vikt

- (1) Tryck en gång på "Super Defrost" och därefter visas "dEF1" på skärmen.
- (2) Vrid på reglaget för att ställa in matens vikt. Viktintervallet är 100-2000 g.
- (3) Tryck på "Start/ +30Sec./ Confirm" för att starta upptiningen.

Obs: Summern ljuder för att påminna dig om att vända på maten under upptiningen. Om ingen åtgärd vidtas fortsätter ugnen att fungera.

9. Tina efter Tid

- (1) Tryck två gånger på "Super Defrost" och därefter visas "dEF2" på skärmen.
- (2) Vrid på reglaget för att ställa in önskad upptiningstid. Det maximala tidsvärdet är "95:00".
- (3) Tryck på "Start/+30Sec./Confirm" för att starta upptiningen.

Anmärkningar:

- (1) När halva tiden har gått hörs en ljudsignal som påminner dig om att vända på maten. Om ingen åtgärd vidtas fortsätter ugnen att fungera.
- (2) Upptiningseffekten är P30 och kan inte ändras.

10. Matlagning i flera steg

Anmärkningar:

- (1) Två tillagningssteg kan ställas in vid tillagning i flera steg.
- (2) Om du ställer in upptiningfunktionen kommer den att fungera automatiskt i det första steget.
- (3) Kökstimer, Auto-meny kan inte ställas in som ett av flera steg.

Exempel: Tina maten i 5 minuter och tillaga den sedan med 80 % mikrovågseffekt i 7 minuter.

- (1) Tryck två gånger på "Super Defrost" och därefter visas "dEF2" på skärmen.
- (2) Vrid på reglaget för att ställa in önskad upptiningstid på 5 minuter.
- (3) Tryck på "Microwave" och sedan visas "P100".
- (4) Vrid på reglaget för att ställa in effektnivån för P80.
- (5) Tryck på "Start/ +30Sec./ Confirm" för att bekräfta effektnivån.
- (6) Vrid på reglaget för att ställa in tillagningstiden på 7 minuter.
- (7) Tryck på "Start/ +30Sec./ Confirm" för att starta tillagningen.

11. Snabbtillagning

- (1) I standby-läge, tryck på "Start/ +30Sec./ Confirm" för att laga mat med 100% effektnivå i 30 sekunder. Varje tryck på samma knapp kan öka tiden med 30 sekunder och det maximala tidsvärdet är 95 minuter.
- (2) I standby-läge, vrid reglaget åt vänster för att ställa in en tillagningstid med 100% effekt. Fortsätt att vrida på reglaget för att justera tillagningstiden. Tryck sedan på "Start/ +30Sec./ Confirm" för att starta tillagningen.

12. Barnlås

Med denna funktion kan du förhindra att barn råkar sätta på apparaten av misstag.

För att aktivera låset:

I standby-läge, tryck och håll ned "Stop/Clear" i tre sekunder. En ljudsignal hörs och låsikonen visas.

För att inaktivera låset:

I låst läge, tryck och håll ned "Stop/Clear" i tre sekunder. En ljudsignal hörs för att påminna om upplåsningen och låsikonen visas inte.

13. Anropsfunktion

- (1) Om klockan har ställts in visas aktuell tid i tre sekunder om du trycker på "Timer/Clock" i tillagningläget.
- (2) Tryck på "Microwave" i tillagningläget för mikrovågsugn för att fråga efter effektnivån. Den visas i tre sekunder. Vid grillning kan det frågande sättet göras på samma sätt som ovan.

14. Auto Menu (Automatisk meny)

- (1) Vrid reglaget åt höger till "Auto Menu" och därefter visas "A-01".
- (2) Fortsätt att vrida på reglaget för att välja den meny du behöver. 10 automatiska menyer är tillgängliga.
- (3) Tryck på "Start/ +30Sec./ Confirm" för att bekräfta.
- (4) Vrid på reglaget för att ställa in matens vikt.
- (5) Tryck på "Start/ +30Sec./ Confirm" för att starta tillagningen.

Anmärkningar:

- (1) Om du öppnar ugnsluckan eller trycker på "Stop/Clear" under drift avbryts det aktuella läget.
- (2) Det är nödvändigt att vrida reglaget åt höger först i standby-läget för att välja "Auto Menu". Vrid först reglaget åt vänster för att ange tillagningstiden för snabbmatlagning.
- (3) Summern ljuder för att påminna om att vända på maten under menyen A-10.

Diagram över automatisk meny

Meny	Vikt / antal	Display	Effekt
A1 AUTOMATISK UPPVÄRMNING	150 g	150 g	100 %
	250 g	250 g	
	350 g	350 g	
	450 g	450 g	
	600 g	600 g	
A2 POTATIS	1 st (ca 230 g)	1	100 %
	2 st (ca 450 g)	2	
	3st (ca 650g)	3	
A3 KÖTT	150 g	150 g	80 %
	350 g	350 g	
	450 g	450 g	
	600 g	600 g	
A4 GRÖNSAKER	150 g	150 g	100 %
	350 g	350 g	
	500 g	500 g	
A5 FISK	150 g	150 g	80 %
	250 g	250 g	
	350 g	350 g	
	450 g	450 g	
	650 g	650 g	
A6 PASTA	50g (med 450 g kallt vatten)	50 g	80 %
	100g (med 800 g kallt vatten)	100 g	
	150g (med 1200 g kallt vatten)	150 g	
A7 SOPPA	200 g	200 g	100 %
	400 g	400 g	
	600 g	600 g	
A8 KAKA	475 g	475 g	förvärmning 160°C Konvektion 160°C
A9 PIZZA	100 g	100 g	C-4
	200 g	200 g	
	300 g	300 g	
A10 KYCKLING	500 g	500 g	C-4/C-4
	750 g	750 g	
	1000 g	1000 g	
	1200 g	1200 g	

FELSÖKNING

Normal	
Mikrovågsugnen stör TV-mottagningen	Radio- och TV-mottagning kan störas när mikrovågsugnen är i drift. Det liknar störningarna från små elektriska apparater, som matberedare, dammsugare och elektriska fläktar. Detta är normalt.
Dämpat ljus	Vid mikrovågs tillagning med låg effekt kan ljuset blir svagt. Detta är normalt.
Ånga samlas på luckan, varm luft kommer ut från ventilen	Vid matlagning kan ånga komma ut ur maten. Det mesta kommer ut genom ventilerna. Men en del kan samlas på svala ställen som luckan. Detta är normalt.
Mikrovågsugnen startar oavsiktligt utan mat i.	Det är förbjudet att köra enheten utan någon mat i den. Det är mycket farligt.

Problem	Möjlig orsak	Åtgärd
Mikrovågsugnen kan inte startas.	(1) Nätkabeln är inte ordentligt inkopplad.	Dra ur kontakten. Sätt sedan i kontakten igen efter 10 sekunder.
	(2) Säkring gick eller krets brytaren utlöstes.	Byt säkring eller återställ krets brytaren (repareras av fackpersonal)
	(3) Problem med utlopp.	Testa uttaget med andra elektriska apparater.
Mikrovågsugnen värmer inte.	Luckan är inte ordentligt stängd.	Stäng luckan ordentligt.

SPECIFIKATIONER

Modell:	POMW7025GB
Märkspänning:	230V~ 50Hz
Nominell ingångseffekt (mikrovågsugn):	1350W
Nominell uteffekt (mikrovågsugn):	900W
Nominell ingångseffekt (Grill):	1000W
Nominell ineffekt (Konvektion):	2100W
Mikrovågsugnens Kapacitet:	25L
Produktmått:	290mm (H) x 495mm (B) x 439mm (D)



Enligt direktivet om avfall från elektrisk och elektronisk utrustning (WEEE) ska WEEE samlas in och behandlas separat. Om du vid något tillfälle i framtiden behöver kassera denna produkt får du INTE kassera denna produkt tillsammans med hushållsavfall. Skicka denna produkt till WEEE-insamlingsställen där sådana finns.

Power International AS,
PO Box 523, N-1471 Lørenskog, Norway

Power Norge:
<https://www.power.no/kundeservice/>
T: 21 00 40 00

Power Danmark:
<https://www.power.dk/kundeservice/>
T: 70 33 80 80

Punkt 1 Danmark:
<https://www.punkt1.dk/kundeservice/>
T: 70 70 17 07

Power Finland:
<https://www.power.fi/tuki/asiakaspalvelu/>
T: 0305 0305

Power Sverige:
<https://www.power.se/kundservice/>
T: 08 517 66 000

