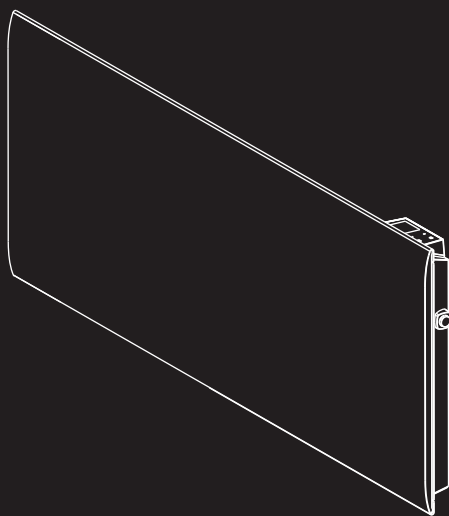


**point**

POPANW1500/ POPANW2000  
User Manual



**LIFE MADE EASIER**

## GB

Thank you for purchasing your new POINT SERIES Panel Heater. These operating instructions will help you use it properly and safely. We recommend that you spend some time reading this instruction manual in order that you fully understand all the operational features it offers. Read all the safety instructions carefully before use and keep this instruction manual for future reference.

## NO

Takk for at du kjøpte ditt nye POINT SERIES panelovn. Denne bruksanvisningen vil hjelpe deg med å bruke den på en trygg og riktig måte. Vi anbefaler at du tar deg tid til å lese gjennom hele bruksanvisningen for å bli fortrolig med alle funksjonene som tilbys. Les alle sikkerhetsanvisningene nøye før bruk, og oppbevar bruksanvisningen for fremtidig referanse.

## FI

Kiitos, kun valitsit uuden POINT-paneelilämmittimen. Nämä käyttöohjeet opastavat sinua käyttämään laitetta oikein ja turvallisesti. Suosittelemme, että käytät hieman aikaa tämän käyttöoppaan lukemiseen, jotta ymmärrät täysin, millaisia toimintoja laitteessa on. Lue kaikki turvallisuusohjeet huolellisesti ennen laitteen käyttöä ja säilytä käyttöopas myöhempää tarvetta varten.

## DK

Tak for købet af dit nye POINT-SERIENS Panelvarmer . Disse brugervejledninger hjælper dig med at bruge dette apparat rigtigt og sikkert. Vi anbefaler, at du læser denne brugervejledning, så du får en fuld forståelse af hvordan alle funktionerne virker. Læs sikkerhedsforskrifterne grundigt inden brug, og gem denne brugervejledning til senere brug.

## SE

Tack för att du har köpt ditt nya Panelvärmare i POINT-SERIEN. Denna bruksanvisning hjälper dig att använda den på ett säkert och korrekt sätt. Vi rekommenderar att du tar dig tid att läsa igenom denna bruksanvisning för att till fullo förstå alla driftfunktioner som den erbjuder. Läs noga igenom alla säkerhetsinstruktioner före användning och spara bruksanvisningen för framtida bruk.

Instruction Manual - English .....	page	4 - 18
Bruksanvisning - Norsk .....	side	19 - 33
Käyttöopas - Suomi .....	sivu	34 - 48
Brugervejledning - Dansk .....	side	49 - 63
Bruksanvisning - Svenska .....	side	64 - 78

GB


NO

FI

DK

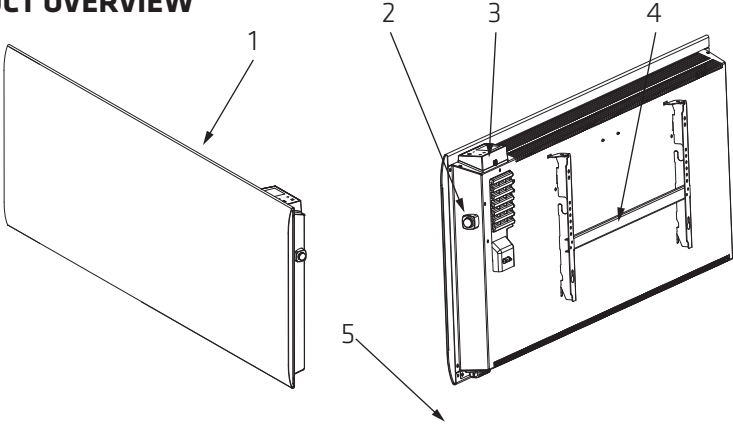
SE

## SAFETY INSTRUCTIONS

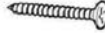

1.  Warning: In order to avoid overheating, do not cover the heater.
2. Do not use the appliance in areas where flammable liquids are stored or where flammable fumes may be present.
3. This appliance can be used by children 8 years and older and persons with reduced physical, sensory or mental capabilities or lack of experience and knowledge if they are supervised or instructed on the safe use of the appliance and understand the risks involved.
4. Cleaning and user maintenance shall not be made by children without supervision.
5. Children younger than 3 years should be kept away unless continuously supervised.
6. Children aged from 3 to 8 years are allowed only to switch on/off the appliance provided that it has been placed or installed in its intended normal operating position and they are supervised or instructed on the safe use of the appliance and understand the risks involved. Children aged from 3 to 8 years are not to plug in, regulate and clean the appliance or perform user maintenance.
7. Children should be supervised to ensure that they do not play with the appliance.
8. Do not use this appliance if it has been dropped.
9. If the mains cable is damaged, it must be replaced by the manufacturer or its service agent or similarly qualified person in order to avoid a hazard.
10. Do not use the appliance if there are visible signs of damage.

11. Ensure that your power supply voltage matches the appliance's rating label.
12. Use the appliance on a horizontal and stable surface, or fix it to the wall, as applicable.
13. **WARNING:** Do not use this heater in small rooms when they are occupied by persons not capable of leaving the room on their own, unless constant supervision is provided.
14. **WARNING:** To reduce the risk of fire, keep textiles, curtains, or any other flammable material a minimum distance of 1 m from the air outlet.
15. **WARNING:** this appliance should be installed so that the bottom of the heater is at least 50 mm above the floor.
16. **Statement:** The appliance is not to be placed immediately below a socket-outlet.
17. Always turn off and unplug the appliance when not in use.
18. Always unplug the appliance and ensure the appliance is completely cold before moving, cleaning, or storing it.
19. When using this appliance – plug directly into the wall socket and not via extension cables or other adaptors as this may cause an overload.
20. **CAUTION** – Some parts of this appliance can become very hot and cause burns. Particular attention has to be given where children and vulnerable people are present.

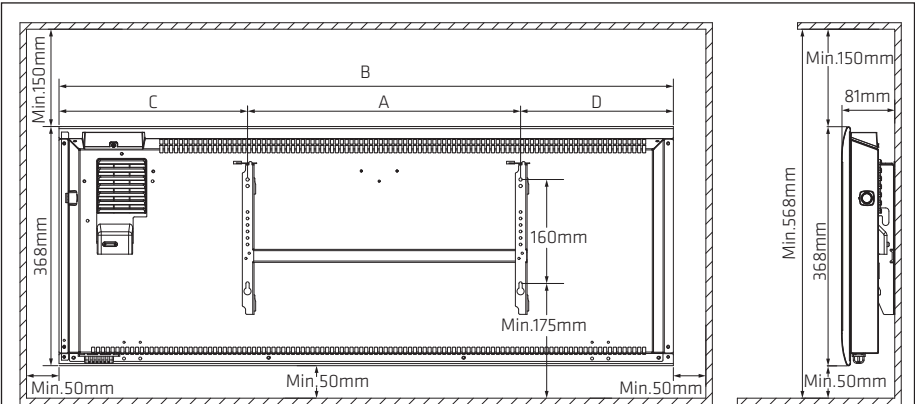
# PRODUCT OVERVIEW



- 1.Body
- 2.Screw
- 3.Control panel
- 4.Wall bracket
- 5.Wall-mounting kits

Description	Drawing	QTY
Screw		4
Plastic plug		4

# INSTALLATION



Model no.	Watt	A	B	C	D
POPANW1500	1500W	420mm	945mm	290mm	235mm
POPANW2000	2000W	490mm	1155mm	360mm	305mm

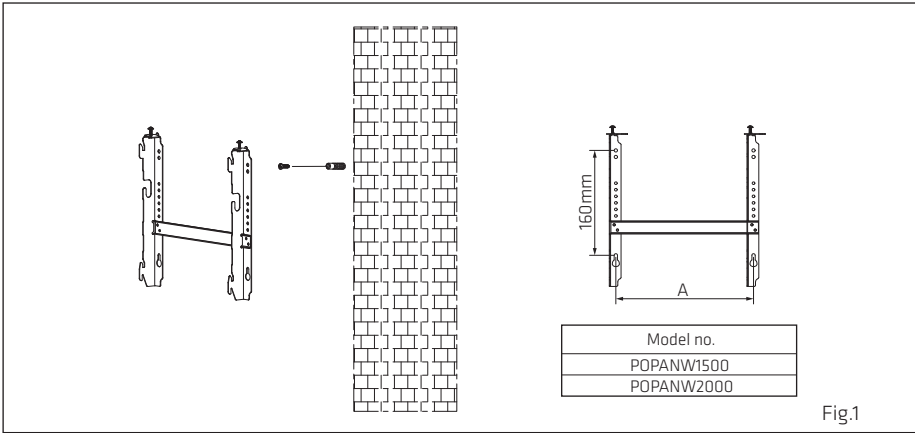


Fig.1

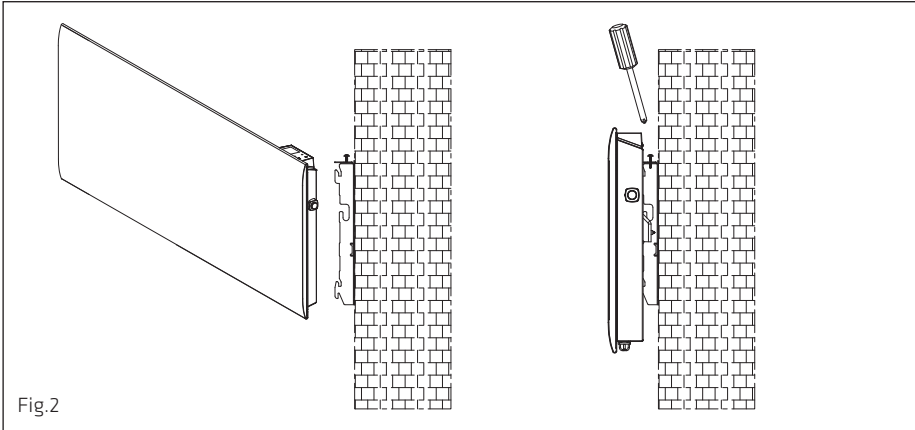
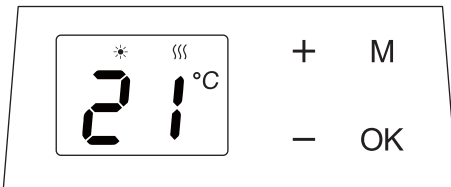


Fig.2

## To hang the heater on the wall:

1. Choose a suitable installation location for the heater. Follow the minimum distances in all directions (Fig 1). Disassemble the wall bracket by loosening the screw (not screw off, only loosen) and sliding the metal pieces out of the hole. Take out the bracket by pulling it down.
2. Verify that the bracket is perfectly horizontal with a spirit level and mark the location of holes on the wall. Drill holes in the wall for the pegs with a suitable drill bit. Insert the pegs into the holes, then screw the wall mount bracket securely onto the wall (Fig 2).
3. Place the heater against the bracket. Fix the heater on the 2 downwards hooks. Pull the heater upwards whilst keeping it in the 2 lower hooks. Fix the heater on the 2 upwards hooks. Pull the heater down. Slide the 2 metal pieces on top into the hole, and fasten the screws to lock the wall mount bracket (Fig 3).

## Use CONTROL PANEL

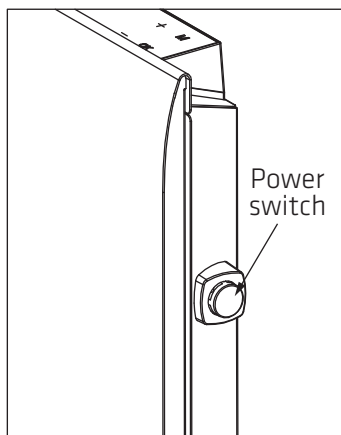


Touch icon	Function
+/-	set the temperature, from 5°C to 35°C, increase/decrease by 1°C each step.
OK	shift modes (Manual, ECO, P1, P2, P3, P4, OF) or confirm.
M	enter setting menu or to cancel.




## OPERATION

1. The first time you plug in, press the on/off switch, the appliance will show 21°C at manual mode as factory default setting.  
Pressing the button will switch the device on or off  
If the button is in the down position, the device is on (1).  
If the button is in the up position, the device is off (0).



When the temperature of the environment is below the set temperature, the heater will start to heat the room, otherwise, no.

The heating indicator icon  will light on only when the product is heating up.

Temperature adjustment:

Press "+" or "-" to set temperature. Min. setting is 5°C, Max. is 35°C.

Pressing and holding "+" or "-" makes the adjustment faster.

2. In the event of a power failure, the heater will resume to work under the same mode and set temperature after the power is resumed.
3. Short press OK to shift among the following modes: manual (NA), ECO, P1, P2, P3, P4, (After flashing 5 seconds, the display will show set temperature), OF.

Manual: the display will show NA, press "+" or "-" to select the temperature manually.

ECO mode: the display will show EC, press "+" or "-" to select the temperature manually.

P1-P4 mode: the default programs are as below. Among them, P1 to P3 are fixed pre-set programs while P4 is a free weekly personalized program.

OF mode: the display show OF. During this mode, the appliance doesn't heat up but clock settings are maintained.

Weekly modes	P1 (5-2)	Monday-Friday				Saturday-Sunday	
	P2 (6-1)	Monday-Saturday				Sunday	
	P3 (7-0)	Monday-Sunday					
	P4 (0-7)	Monday-Sunday					
Time and program setting	Event	4 heating cycles				2 heating cycles	
	Time period	Comfort	Eco	Comfort	Eco	Comfort	Eco
	Time	6:00-9:00	9:00-16:00	16:00-23:00	23:00-6:00	7:00-23:00	23:00-7:00
	Factory setting	21°C	17°C	21°C	17°C	P1/P2/P3:21°C P4:Follow manual mode temperature setting	P1/P2/P3:17°C P4:Follow ECO mode temperature setting

4. Short press or keep pressing the “+” / “-” icon to change the set temperature. Short press “+” / “-” to adjust the temperature, 1°C each step, the temperature range is from 5°C to 35°C. Keep “+” / “-” pressed to increase/decrease the temperature quickly.

5. Setting menu

Short press “M” icon to enter or exit the setting menu.

The setting menu can be used to show the function list of the appliance:

td: time setting

Pr: P4 (free weekly personalized program)

C: temperature calibration

LI: adjustment of screen brightness

AS: adaptive start function

Press “+” or “-” to select from td (time setting), Pr (P4 free weekly personalized program), C (temperature calibration), LI (adjustment of screen brightness), AS (Adaptive start function).

The selected icon will flash.

## Time setting

Press “M” to select “td”, and short press “OK” to enter time setting interface. Press “+” / “-” to set the day of week (choose from d1 to d7). Then press “OK” to save and enter hour setting.

Press “+” / “-” to set the hour (choose from 0 to 23). Then press “OK” to save and enter minute setting.

Press “+” / “-” to set the minute (choose from 00 to 59). Then press “OK” to save and go back to the previous working mode and temperature.

## P4 free weekly personalized program

Short press "M" to select Pr. Short press "OK" to enter the Pr (P4) free weekly program setting interface (the default modifiable program is P4).

You can select 2 set temperature points for each hour of the 24 hours of the day, and each day of the week: COMFORT(☀) and ECO(★).

COMFORT(☀) is the set temperature value; the temperature value of ECO(★) is 4°C lower than the set temperature value.

The default day is d1. You can press "+"/"- to select from d1/d2/d3/d4/d5/d6/d7 (d1-Monday, d2-Tuesday, d3-Wednesday, d4-Thursday, d5-Friday, d6-Saturday, d7 -Sunday). Press "OK" to confirm the day.

The display shows 0 to mean the first hour (0:00-0:59). Short press "+" to select comfort(☀), "-" to select ECO(★), or "OK" to keep the previous setting. After selecting the working mode for the 1st hour, press "OK" to select the working mode of the 2nd hour, and enter the next hour setting. Repeat above until you select the working mode for the 24th hour (23 is displayed on the screen) setting. The heater will then automatically go back to the setting interface of day of the week.

After you finish the setting the day, press "OK" to confirm and repeat same operation for rest of the days.

After you finish the setting of P4, the display will flash for 30 seconds and then go back to the setting menu with the display showing "Pr". "Pr" will then flash for 10 seconds, and then display will go back to the working mode interface.

To check the whole program of P4, keep "+" & "-" pressed for 5 seconds when the display shows "Pr". The screen will show the whole program hour by hour for each day of week.

## Temperature calibration setting

Short press "M" to select "C". Short press "OK" to enter C-temperature calibration setting interface.

"0" will be shown on the display as default. Press "+" / "-" to set the compensation temperature within  $\pm 5^{\circ}\text{C}$ .

Example: the temperature setting on your heater is 24°C. The heater stops heating even though your thermometer says the temperature is only 22°C. In this case, choose the calibration value -2°C.

## **Adjustment of screen brightness:**

Short press “M” to select LI. Press “OK” to enter LI–screen brightness setting interface. You can adjust the brightness of the screen. The default setting value is 3.


Press “+” / “-” to choose from grade 1 to 5. Grade 1 is the darkest while 5 is the brightest.



## **Adaptive start function:**

Short press “M” to select “AS”. Press “OK” to enter Adaptive Start setting interface. The screen will show “on” or “oF”. Press “+” or “-” to change the selection. When “on” is selected, the Adaptive Start function is activated. When “oF” is selected, the function is deactivated. Default setting is “oF”. This feature measures the thermal inertia of the room and turns on the heaters in advance to ensure "comfort" temperature is reached at the set time. This function can turn on the appliance for heating maximum 2 hours in advance.

Remarks: This function applies for P1, P2, P3 programs only.

## **Window detector function**

Press “+” & “OK” for 5 seconds to enter the window detector setting with “” flashing. The display will show “on” or “oF”. Press “+” or “-” to select. If “on” is selected, the window detector function is activated. When “oF” is selected, the window detector function will be deactivated. Press “OK” to save. After 5 seconds without operation, the heater will also automatically save the setting and return to previous working mode. The default factory setting is off.

When “on” is selected, the icon “” will show on the screen. When temperature decrease is detected, the appliance will enter anti-freeze mode (the screen shows 7°C with “” flashing). When temperature increase is detected, it will go back to previous working mode. You can press any button to return to the previous working mode.

## **Child lock**

Press “M” & “-” for 5 seconds until the screen shows “CC”. The child lock is now activated. Repeat same operation to deactivate the child lock function. When child lock is activated, “CC” will flash 3 times and go back to temperature display. Press any icon on the control panel, the screen will show “CC” 3 times and go back to temperature display.

The child lock function will remain in function after resuming operation after a power failure.

## **Display Auto Off**

Activate: press “-” & “OK” for 5 seconds. The screen will flash 3 times and activate the Display Auto Off function. The display switches off if there is no operation within 30 seconds. Press any icon to light the display on again.

Deactivate: repeat the same operation to deactivate this function.

When the Display Auto Off function is activated, press and hold “OK” & “-” simultaneously for over 5 seconds, during the process all icons on the display flash slowly, until all icons on the display go off, the Display Auto Off mode will be deactivated.

## **Memory function**

After power switches off, the heater memorizes the working set temperature before the power failure and continues to work after power resumes. In the event of a power failure, the heater will keep the internal clock running 24 hours. If the power is disconnected for more than 24 hours, when the power is turned on again, the heater will return to the last used temperature, the internal clock will return to the default time and start running again. The screen will flash, indicating that there has been a power outage. The blinking state will continue until any button is pressed to cancel the blinking.

## **Heating icon**

1. When it is detected that the ambient temperature is lower than the set temperature and the heater needs to start working, the heating icon will light up. If the ambient temperature is detected to be higher than the set temperature, the heating icon will turn off.
2. In standby state, the heating icon is not displayed.

## **Reset**

Press and hold “+” and “M” at the same time for more than 5 seconds. The screen will show “rE”. The setting temperature will go back to factory default setting 21°C.

## **Wi-Fi connection**

Insert the power plug and turn on the power switch. Choose “OF” mode by pushing the “OK” button until the “OF” symbol is displayed. Keep pressing

“OK” for more than 5 seconds and the icon “” will flash.

Refer to the “Wi-Fi guide” for further instructions.

### **Troubleshooting**

If the product does not operate or does not operate properly, first check the following list. If the reason for the malfunction is not in the following list, the product may have failed. At this time, it is recommended to send the product to the dealer or have it repaired.

Problem	Possible Cause	Solution
The mains plug is plugged, but the appliance does not work.	The main plug may not be correctly inserted into the mains power socket.	Check whether the plug is properly inserted into the mains power socket.
The heater suddenly stops during heating	The temperature exceeds the threshold of the thermal cut- off.	The system will automatically cut off the power supply. Cool the heater down before using again.

### **CLEANING AND STORAGE**

It is recommended that the heater be cleaned at least one time during the operating season in order to provide the optimum level of performance. ALWAYS TURN THE POWER SWITCH OFF AND UNPLUG THE HEATER BEFORE CLEANING.

Be sure to save the box for off-season storage.

- Turn the heater “OFF”, unplug it and wait for the heater to cool down.
- Use a dry cloth to clean the external surfaces of the heater.
- Do not use any cleaning agents or detergents.
- Never immerse the heater in water.
- Pack the heater in the original carton and store it in a cool and dry place.

## Technical data

Frequency range: WiFi 2.4GHz (2.412-2.472GHz), RF Conducted Power: 6.5dBm

Ref no.	3200233	3200234
Model no.	POPANW1500	POPANW2000
Rated voltage	220-240V~ 50-60Hz	220-240V~ 50-60Hz
Rated power	1500W	2000W
Class	II	II
IP rating	IP24	IP24

Model identifier(s): POPANW1500					
Item	Symbol	Value	Unit	Item	Unit
Heat output				Type of heat input, for electric storage local space heaters only (select one)	
Nominal heat output	$P_{nom}$	1.5	kW	manual heat charge control, with integrated thermostat	NA
Minimum heat output (indicative)	$P_{min}$	-	kW	manual heat charge control with room and/or outdoor temperature feedback	NA
Maximum continuous heat output	$P_{max,c}$	1.5	kW	electronic heat charge control with room and/or outdoor temperature feedback	NA
Auxiliary electricity consumption				fan assisted heat output	NA
At nominal heat output	$e_{lmax}$	0.000	kW	Type of heat output/room temperature control (select one)	
At minimum heat output	$e_{lmin}$	0.000	kW	single stage heat output and no room temperature control	No
In standby mode	$e_{lSB}$	0.0005	kW	Two or more manual stages, no room temperature control	No
				with mechanic thermostat room temperature control	No
				with electronic room temperature control	No
				electronic room temperature control plus day timer	No
				electronic room temperature control plus week timer	Yes
				Other control options (multiple selections possible)	
				room temperature control, with presence detection	No
				room temperature control, with open window detection	Yes
				with distance control option	Yes
				with adaptive start control	No
				with working time limitation	No
				with black bulb sensor	No
Contact details	Power International AS, PO Box 523, N-1 471 Lørenskog, Norway				



Model identifier(s): POPANW2000					
Item	Symbol	Value	Unit	Item	Unit
Heat output				Type of heat input, for electric storage local space heaters only (select one)	
Nominal heat output	$P_{nom}$	2.0	kW	manual heat charge control, with integrated thermostat	NA
Minimum heat output (indicative)	$P_{min}$	-	kW	manual heat charge control with room and/or outdoor temperature feedback	NA
Maximum continuous heat output	$P_{max,c}$	2.0	kW	electronic heat charge control with room and/or outdoor temperature feedback	NA
Auxiliary electricity consumption				fan assisted heat output	NA
At nominal heat output	$e_{lmax}$	0.000	kW	Type of heat output/room temperature control (select one)	
At minimum heat output	$e_{lmin}$	0.000	kW	single stage heat output and no room temperature control	No
In standby mode	$e_{lSB}$	0.0005	kW	Two or more manual stages, no room temperature control	No
				with mechanic thermostat room temperature control	No
				with electronic room temperature control	No
				electronic room temperature control plus day timer	No
				electronic room temperature control plus week timer	Yes
				Other control options (multiple selections possible)	
				room temperature control, with presence detection	No
				room temperature control, with open window detection	Yes
				with distance control option	Yes
				with adaptive start control	No
				with working time limitation	No
				with black bulb sensor	No
Contact details	Power International AS, PO Box 523, N-1 471 Lørenskog, Norway				



This symbol on the product or in the instructions means that your electrical and electronic equipment should be disposed at the end of its life separately from your household waste. There are separate collection systems for recycling in the EU. For more information, please contact the local authority or your retailer where you purchased the product.

Power International AS,  
PO Box 523, N-1471 Lørenskog, Norway

Power Norge:  
<https://www.power.no/kundeservice/>  
T: 21 00 40 00

Expert Danmark:  
<https://www.expert.dk/kundeservice/>  
T: 70 70 17 07

Power Danmark:  
<https://www.power.dk/kundeservice/>  
T: 70 33 80 80

Punkt 1 Danmark:  
<https://www.punkt1.dk/kundeservice/>  
T: 70 70 17 07

Power Finland:  
<https://www.power.fi/tuki/asiakaspalvelu/>  
T: 0305 0305

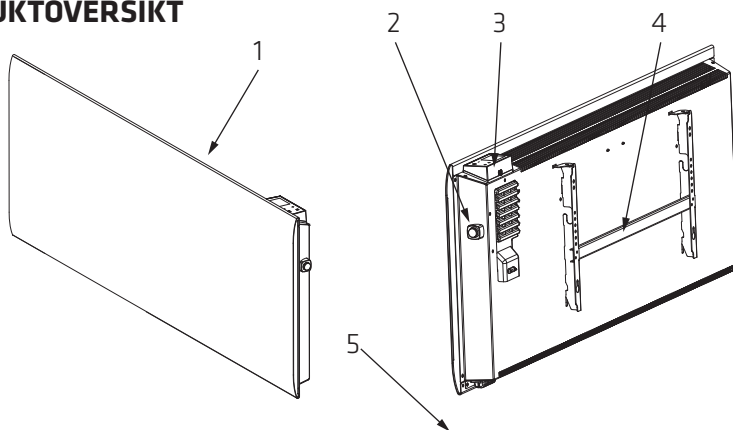
Power Sverige:  
<https://www.power.se/kundservice/>  
T: 08 517 66 000

## SIKKERHETSANVISNINGER

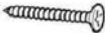

1.  Advarsel: For å unngå overoppheting skal varmeovnen ikke tildekkes.
2. Ikke bruk apparatet i områder der brennbare væsker oppbevares eller det kan være brennbare gasser.
3. Dette apparatet kan brukes av barn over 8 år og av personer med reduserte fysiske, sensoriske eller mentale evner, eller som mangler erfaring og kunnskap, dersom de er under tilsyn eller har blitt instruert om trygg bruk av apparatet og forstår farene dette innebærer.
4. Rengjøring og brukervedlikehold må ikke utføres av barn uten tilsyn.
5. Barn under 3 år skal holdes unna med mindre de er under konstant oppsyn.
6. Barn mellom 3 og 8 år kan slå på/av apparatet forutsatt at det har blitt plassert eller installert i den tiltenkte normale driftsposisjonen og barna er under oppsyn eller har blitt instruert om sikker bruk av apparatet og forstår farene. Barn mellom 3 og 8 år skal ikke koble til, justere eller rengjøre apparatet eller utføre vedlikehold.
7. Barn må være under tilsyn for å sikre at de ikke leker med apparatet.
8. Ikke bruk apparatet hvis det har falt i bakken.
9. Hvis strø姆ledningen er skadet, må den skiftes av produsenten, av produsentens servicerepresentant eller av en tilsvarende kvalifisert person for å unngå fare.
10. Ikke bruk apparatet hvis det har synlige tegn på skader.

11. Sørg for at spenningen samsvarer med merkingen til apparatet.
12. Bruk apparatet en horisontal og stabil overflate, eller fest det på veggen etter behov.
13. ADVARSEL: Ikke bruk apparatet i små rom der det er personer som ikke er i stand til å forlate rommet på egen hånd, med mindre de er under konstant tilsyn.
14. ADVARSEL: For å redusere faren for brann må du holde tekstiler, gardiner og annet brennbart materiale minst 1 m fra luftuttaket.
15. ADVARSEL: Apparatet bør installeres slik at bunnen av varmeovnen er minst 50 mm over gulvet.
16. Erklæring: Apparatet skal ikke plasseres rett under en stikkontakt.
17. Slå alltid av apparatet og trekk ut støpselet når det ikke er i bruk.
18. Trekk støpslet ut av stikkontakten og kontroller at apparatet er helt kaldt før du flytter, rengjør eller lagrer det.
19. Når du bruker apparatet må det kobles direkte i vegguttaket og ikke via skjøteledninger eller andre adaptere, da dette kan føre til overbelastning.
20. ADVARSEL – Noen deler av produktet kan bli svært varme og forårsake brannskader. Dersom barn eller sårbare mennesker er til stede, må du være ekstra forsiktig.

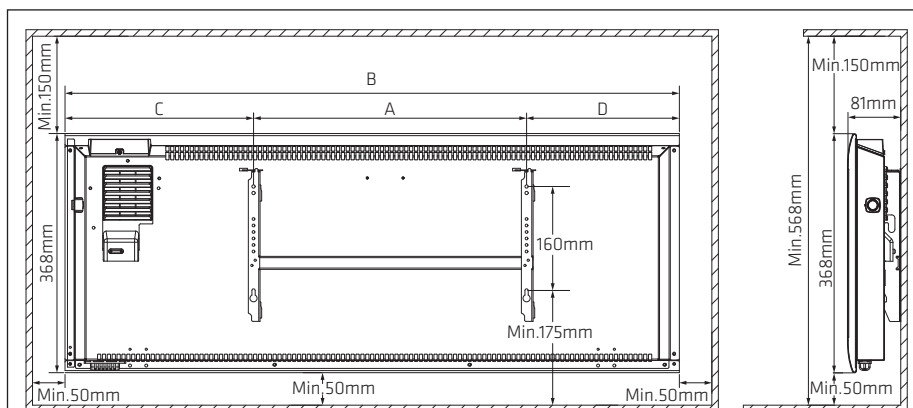
## PRODUKTOVERSIKT



- 1.Hoveddel
- 2.Bryter
- 3.Kontrollpanel
- 4.Veggbrakett
- 5.Sett for veggmontering

Beskrivelse	Tegning	Antall
Skrue		4
Plastplugg		4

## INSTALLATION



NO

Modellnr.	Watt	A	B	C	D
POPANW1500	1500W	420mm	945mm	290mm	235mm
POPANW2000	2000W	490mm	1155mm	360mm	305mm

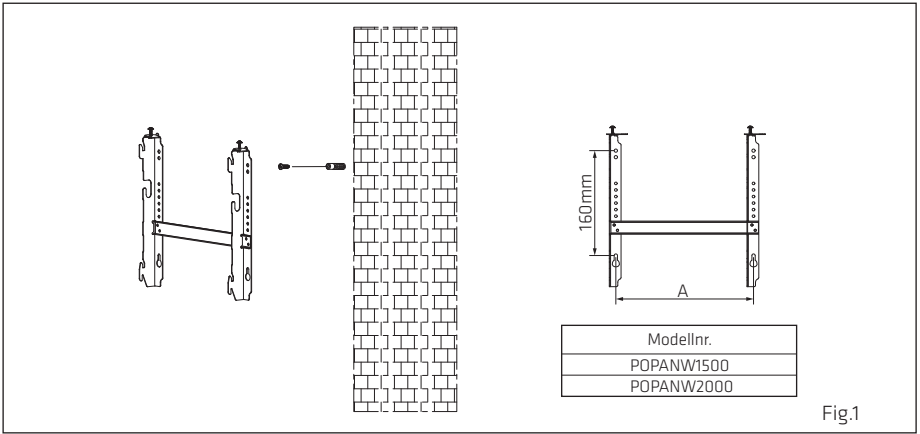


Fig.1

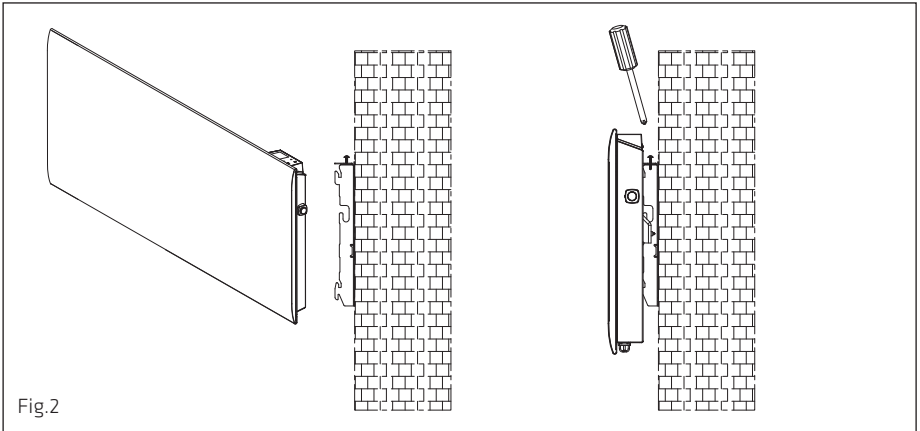


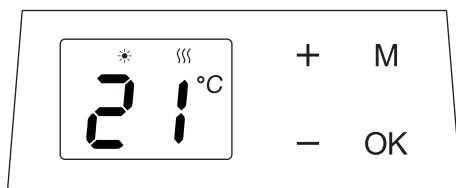
Fig.2

## Henge varmeovnen på veggen:

1. Velg et passende sted å montere varmeovnen. Følg minimumsavstandene i alle retninger (fig 1). Demonter veggbraketten ved å løsne skruen (ikke skru av, bare løsne) og skyve metallbitene ut av hullet. Ta ut braketten ved å trekke den ned.
2. Kontroller med vater at braketten er helt vannrett, og marker plasseringene til hull på veggen. Bor hull i veggen for tappene med en egnet borrebit. Sett tappene inn i hullene, og skru veggfestebarketten godt fast på veggen (fig 2).
3. Plasser varmeovnen mot braketten. Fest varmeovnen på de 2 nedovervendte krokene. Trekk varmeovnen oppover mens du holder den i de 2 nedre krokene. Fest varmeovnen på de 2 oppovervendte krokene. Trekk varmeovnen ned. Skyv de 2 metallstykkene på toppen inn i hullet, og fest skruene for å låse veggfestebarketten (fig 3).

## Bruk

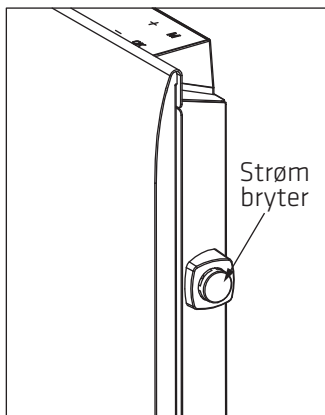
### KONTROLLPANEL



Trykk ikonet	Funksjon
+/-	Still inn temperaturen fra 5 til 35 °C i trinn på 1 °C.
OK	skift modus (Manuell, ECO, P1, P2, P3, P4, OF) eller bekreft.
M	gå inn i innstillingsmenyen eller avbryt.

## DRIFT

1. Første gang du kobler til kan du trykke av/på-bryteren, så viser apparatet 21°C i manuell modus som fabrikkinnstilling.  
Trykk knappen for å slå enheten på eller av  
Hvis knappen er i ned-posisjon er enheten på (1).  
Hvis knappen er i opp-posisjon er enheten på (0).



Når temperaturen i omgivelsene er under innstilt temperatur, vil varmeovnen begynne å varme opp rommet, ellers nei.

Indikatoren for oppvarming  $\{\{\{\}$  lyser kun når produktet varmes opp.

### Temperaturjustering

Trykk «+» eller «-» for å stille inn temperaturen. Temperaturen kan stilles til minimum 5 °C og maksimalt 35 °C. Man kan holde nede «+» eller «-» for å justere raskere.

2. Ved strømbrudd vil varmeovnen fortsette å fungere i samme modus og innstilt temperatur når strømmen kommer tilbake.
3. Trykk OK kort for å skifte mellom følgende moduser: manuell (NA), ØKO P1, P2, P3, P4, (Displayet blinker først i 5 sekunder, så vises innstilt temperatur), OF.

Manuell: displayet viser NA. Trykk «+» eller «-» for å velge temperatur manuelt.

ØKO-modus: displayet viser EC. Trykk «+» eller «-» for å velge temperatur manuelt.

P1-P4-modus: Standardprogrammene er som nedenfor. Blant dem er P1 til P3 satt fast til forhåndsinnstilte programmer, mens P4 er et fritt ukentlig tilpasset program.

OF-modus: displayet viser OF. I denne modusen varmes ikke apparatet opp, men klokkeinnstillingene opprettholdes.



Ukentlige moduser	P1 (5-2)	Mandag-fredag				Lørdag-søndag	
	P2 (6-1)	Mandag-lørdag				Søndag	
	P3 (7-0)	Mandag-søndag					
	P4 (0-7)	Mandag-søndag					
Tid-og programinnstilling	Hendelse	4 oppvarmingssykluser				2 oppvarmingssykluser	
	Tidsperiode	Komfort	Øko	Komfort	Øko	Komfort	Øko
	Tid	6:00-9:00	9:00-16:00	16:00-23:00	23:00-6:00	7:00-23:00	23:00-7:00
	fabrikkinnstilling	21°C	17°C	21°C	17°C	P1/P2/P3:21°C P4:Følg temperaturinnstilling i manuell modus	P1/P2/P3:17°C P4:Følg temperaturinnstilling i ØKO modus

4. Trykk kort eller hold inne «+»- / «-»-ikonet for å endre innstilt temperatur. Trykk «+» / «-» kort for å justere temperaturen med trinn på 1 °C. Temperaturområdet er fra 5°C til 35 °C. Hold inne «+» / «-» for å øke/reducere temperaturen raskt.

5. Innstillingsmeny

Trykk «M»-ikonet kort for å gå inn eller ut av innstillingsmenyen.

På innstillingsmenyen kan man se vise funksjonslisten til apparatet:

td: tidsinnstilling

Pr: P4 (fritt ukentlig tilpasset program)

C: temperaturkalibrering

LI: justering av skjermens lysstyrke

AS: adaptiv start-funksjon

Trykk «+» eller «-» for å velge mellom td (tidsinnstilling), Pr (P4 fritt ukesprogram), C (temperaturkalibrering), LI (justering av skjermens lysstyrke), AS (Adaptiv start-funksjon).

Det valgte ikonet blinker.

## Tidsinnstilling

Trykk «M» for å velge «td», og trykk «OK» kort for å gå inn i grensesnittet for å stille inn tid.

Trykk «+» / «-» for å stille inn ukedag (velg fra d1 til d7). Trykk deretter «OK» for å lagre og gå inn i innstilling av time.

Trykk «+» / «-» for å stille inn timen (velg fra 0 til 23). Trykk deretter «OK» for å lagre og gå inn i innstilling av minutt.

Trykk «+» / «-» for å stille inn minutt (velg fra 00 til 59). Trykk deretter «OK»

for å lagre og gå tilbake til forrige driftsmodus og temperatur.

## **P4 fritt ukentlig tilpasset program**

Trykk «M» kort for å velge Pr. Trykk «OK» kort for å gå inn i grensesnittet for å stille inn Pr (P4) fritt ukesprogram (standardprogram som kan endres er P4).

Du kan velge 2 innstilte temperaturpunkter for hver time av døgnet 24 timer og hver ukedag: KOMFORT (☀) og ØKO (★).

KOMFORT (☀) er den innstilte temperaturverdien; temperaturverdien til ØKO (★) er 4 °C lavere enn innstilt temperaturverdi.

Standard dag er d1. Du kan trykke «+»/«-» for å velge mellom d1/d2/d3/d4/d5/d6/d7 (d1-mandag, d2-tirsdag, d3-onsdag, d4-torsdag, d5-fredag, d6-lørdag, d7-søndag). Trykk «OK» for å bekrefte dagen.

Displayet viser 0, som betyr den første timen (0:00-0:59). Trykk «+» kort for å velge komfort (☀), «-» for å velge ØKO (★) eller «OK» for å beholde den forrige innstillingen. Når driftsmodus er valgt for den første timen, trykk «OK» for å velge driftsmodus for den 2. timen og gå videre til å stille inn neste time. Gjenta som ovenfor til driftsmodus for for 24. time er valgt (23 vises på skjermen). Varmeovnen går da automatisk tilbake til innstillingsgrensesnittet for ukedag.

Når du er ferdig med å stille inn dagen, trykker du «OK» for å bekrefte og gjentar samme operasjon for resten av dagene.

Når du er ferdig med å stille inn P4, vil displayet blinke i 30 sekunder før det går tilbake til innstillingsmenyen og displayet viser «Pr». «Pr» vil da blinke i 10 sekunder, så går det tilbake til grensesnittet for driftsmodus.

Du kan se hele programmet til P4 ved å holde inne «+» og «-» i 5 sekunder når displayet viser «Pr». Skjermen viser hele programmet time for time for hver ukedag.

## **Stille inn temperaturkalibrering:**

Trykk «M» kort for å velge «C». Trykk «OK» kort for å gå inn i C-grensesnittet for temperaturkalibrering.

«0» vises på displayet som standard. Trykk «+» / «-» for å stille inn kompensasjonstemperaturen innenfor ±5 °C.

Eksempel: Temperaturen på varmeovnen er satt til 24 °C. Varmeovnen slutter å varme selv om termometeret sier at temperaturen bare er 22 °C. Da velger du kalibreringsverdien -2 °C.

## Justere skjermens lysstyrke:

Trykk «M» kort for å velge LI. Trykk «OK» for å gå inn i LI-grensesnittet for å stille inn skjermens lysstyrke. Du kan justere lysstyrken på skjermen.

Standard innstillingsverdi er 3.

Trykk «+» / «-» for å velge fra nivå 1 til 5. Nivå 1 er mørkest, mens 5 er lysest.

## Adaptiv start-funksjon:


Trykk «M» kort for å velge «AS». Trykk «OK» for å gå inn i grensesnittet for å stille inn adaptiv start. Skjermen viser «on» eller «oF». Trykk «+» eller «-» for å endre valget. Når «on» er valgt, er funksjonen for adaptiv start aktivert.



Når «oF» er valgt, er funksjonen deaktivert. Standardinnstillingen er «oF».

Denne funksjonen måler den termiske tregheten i rommet og slår på varmeovnene på forhånd for å sikre at «komfort»-temperaturen nås ved det angitte tidspunktet. Denne funksjonen kan slå på apparatet for oppvarming maksimalt 2 timer i forveien.

Merknader: Denne funksjonen gjelder kun for programmene P1, P2 og P3.

## Påvisning av i\windu

Hold inne «+» og «OK» i 5 sekunder for å starte påvisning av vindu, så blinker «». Skjermen viser «on» eller «oF». Trykk «+» eller «-» for å velge. Hvis «on» er valgt, blir funksjonen for påvisning av vindu aktivert. Når «oF» er valgt, deaktiveres påvisning av vindu. Trykk «OK» for å lagre. Etter 5 sekunder uten drift lagrer varmeovnen også automatisk innstillingen og går tilbake til forrige driftsmodus. Standard fabrikkinnstilling er av.

Når «på» er valgt, vises ikonet «» på skjermen. Når temperaturen reduseres, går apparatet inn i frostbeskyttelsesmodus (skjermen viser 7 °C, og «» blinker). Når det oppdages en økning i temperatur, går den tilbake til forrige driftsmodus. Trykk hvilken som helst knapp for å gå tilbake til forrige driftsmodus.

## Barnesikring:

Trykk «M» og «-» i 5 sekunder til skjermen viser «CC». Barnesikringen er nå aktivert. Gjenta samme handling for å deaktivere barnesikringen.

Når barnesikringen er aktivert, blinker «CC» 3 ganger og går tilbake til å vise temperaturen. Trykk et ikon på kontrollpanelet, så viser skjermen «CC» 3 ganger og går tilbake til å vise temperaturen.

Barnesikringen forblir på når driften gjenopptas etter strømbrudd.

## Display automatisk av

Aktiver: trykk «-» og «OK» i 5 sekunder. Skjermen blinker 3 ganger, og aktivere funksjonen som slår av displayet automatisk aktiveres. Displayet slår seg av automatisk hvis ingenting gjøres på 30 sekunder. Trykk et hvilket som helst ikon for å slå på skjermen igjen.

Deaktiver: Gjenta samme operasjon for å deaktivere funksjonen.

Når funksjonen er aktivert, kan du holde inne «OK» og «-» samtidig i over 5 sekunder. Alle ikonene på displayet blinker sakte til de slukkes, så blir funksjonen for å slå av displayet automatisk deaktivert.

## Minnefunksjon

Når strømmen slås av, husker varmeovnen temperaturen den var stilt inn før strømbryddet og fortsetter når strømmen kommer tilbake. Ved strømbrydd holder varmeovnen den interne klokken i 24 timer. Hvis strømmen er frakoblet i mer enn 24 timer, og strømmen slås på igjen, går varmeovnen tilbake til sist brukte temperatur, og den interne klokken går tilbake til standardtid og begynner å gå igjen. Skjermen blinker, noe som indikerer at det har vært et strømbrydd. Den fortsetter å blinke frem til en knapp trykkes, hvorpå blinkingen avbrytes.

## Oppvarmingsikon


1. Når det oppdages at omgivelsestemperaturen er under innstilt temperatur og varmeovnen må komme i gang, lyser varmeikonet. Hvis det oppdages at omgivelsestemperaturen er høyere enn den innstilte temperaturen, slukkes oppvarmingsikonet.

2. I ventemodus vises ikke oppvarmingsikonet.

## Tilbakestill

Hold inne «+» og «M» samtidig i mer enn 5 sekunder. Skjermen viser «rE». Den innstilte temperaturen går tilbake til fabrikkinnstillingen, 21 °C.

## Wi-Fi-forbindelse

Sett inn støpselet og slå på strømbryteren. Velg «OF»-modus ved å trykke «OK»-knappen til «OF»-symbolet vises. Hold inne «OK» i mer enn 5 sekunder, så blinker ikonet «».

Se «Wi-Fi-veiledning» for flere instruksjoner.

## Feilsøking

Hvis produktet ikke fungerer, eller ikke fungerer som det skal, sjekker du

først følgende liste. Hvis årsaken til funksjonsfeilen ikke står på listen nedenfor, kan produktet ha en feil. I så fall bør du sende produktet til forhandleren eller få det reparert.

Problem	Mulig årsak	Løsning
Støpselet er koblet til, men apparatet fungerer ikke.	Støpselet er kanskje ikke satt riktig inn i stikkkontakten.	Sjekk at støpselet er satt riktig inn i stikkkontakten.
Varmeovnen stopper plutselig under oppvarming.	Temperaturen er over grensen for termisk avslåing.	Systemet kutter strømforsyningen automatisk.

## RENGJØRING OG OPPBEVARING

Varmeovnen bør rengjøres minst én gang i løpet av sesongen for å gi optimal ytelse.

SLÅ ALLTID AV STRØMBRYTEREN OG KOBLE UT VARMEOVNEN FØR RENGJØRING.

Ta vare på esken for oppbevaring utenfor sesongen.

- Slå varmeovnen «AV», trekk ut støpselet, og vent på at varmeovnen avkjøles.
- Bruk en tørr klut til å rengjøre de utvendige overflatene på varmeovnen.
- Ikke bruk rengjøringsmidler eller vaskemidler.
- Varmeovnen skal aldri senkes i vann.
- Pakk varmeovnen inn i originalemballasjen, og oppbevar den på et kjølig og tørt sted.

## Tekniske data

Frekvensområde: WiFi 2,4 GHz (2,412-2,472 GHz). RF ledet strøm: 6,5 dBm

Referansenummer	3200233	3200234
Modellnr.	POPANW1500	POPANW2000
Merkespenning	220-240V~ 50-60Hz	220-240V~ 50-60Hz
Merkeeffekt	1500W	2000W
Merkeeffekt	II	II
IP lukitus	IP24	IP24

Modellidentifikator(er): POPANW1500					
Element	Symbol	Verdi	Enhet	Element	Enhet
Varmeeffekt				Type varmeinngang, kun for elektriske lokale luftpåvarmere (velg én)	
Nominell varmeeffekt	$P_{nom}$	1,5	kW	manuell varmekontroll med integrert termostat	IA
Minimum varme	$P_{min}$	-	kW	manuell varmekontroll med rom og/ eller utetemperaturtilbakekobling	IA
utgang (veiledende)	$P_{max,c}$	1,5	kW	elektronisk varmekontroll med rom og/ eller utetemperaturtilbakekobling	IA
Auksiliært elektrisitetsforbruk				vifteassistert varmeeffekt	IA
Ved nominell varmeeffekt	$e_{lmax}$	0,000	kW	Type varmeeffekt/romtemperaturkontroll (velg én)	
Ved minimum varmeeffekt	$e_{lmin}$	0,000	kW	enkeltrinn varmeeffekt og ingen romtemperaturkontroll	Nei
I ventemodus	$e_{lSB}$	0,0005	kW	To eller flere manuelle trinn, ingen romtemperaturkontroll	Nei
				med mekanisk termostatromtemperaturkontroll	Nei
				med elektronisk romtemperaturkontroll	Nei
				elektronisk romtemperaturkontroll pluss dagtidtaker	Nei
				elektronisk romtemperaturkontroll pluss uketidtaker	Ja
				Andre kontrollalternativer (flere valg mulig)	
				romtemperaturkontroll med nærværspåvisning	Nei
				romtemperaturkontroll med åpent vindu-påvisning	Ja
				med alternativ for avstandskontroll	Ja
				med adaptiv startkontroll	Nei
				med arbeidstidsbegrensning	Nei
				med svart pære-sensor	Nei
Kontakt detaljer	Power International AS, Postboks 523, N-1471 Lørenskog, Norge				

Modellidentifikator(er): POPANW2000					
Element	Symbol	Verdi	Enhet	Element	Enhet
Varmeeffekt				Type varmeinngang, kun for elektriske lokale luftoppvarmere (velg én)	
Nominell varmeeffekt	$P_{nom}$	2,0	kW	manuell varmekontroll med integrert termostat	IA
Minimum varme	$P_{min}$	-	kW	manuell varmekontroll med rom og/ eller utetemperaturtilbakekobling	IA
utgang (veiledende)	$P_{max,c}$	2,0	kW	elektronisk varmekontroll med rom og/ eller utetemperaturtilbakekobling	IA
Auksiliært elektrisitetsforbruk				vifteassistert varmeeffekt	IA
Ved nominell varmeeffekt	$e_{lmax}$	0,000	kW	Type varmeeffekt/romtemperaturkontroll (velg én)	
Ved minimum varmeeffekt	$e_{lmin}$	0,000	kW	enkeltrinn varmeeffekt og ingen romtemperaturkontroll	Nei
I ventemodus	$e_{lSB}$	0,0005	kW	To eller flere manuelle trinn, ingen romtemperaturkontroll	Nei
				med mekanisk termostatromtemperaturkontroll	Nei
				med elektronisk romtemperaturkontroll	Nei
				elektronisk romtemperaturkontroll pluss dagtidtaker	Nei
				elektronisk romtemperaturkontroll pluss uketidtaker	Ja
				Andre kontrollalternativer (flere valg mulig)	
				romtemperaturkontroll med nærværs-påvisning	Nei
				romtemperaturkontroll med åpent vindu-påvisning	Ja
				med alternativ for avstandskontroll	Ja
				med adaptiv startkontroll	Nei
				med arbeidstidsbegrensning	Nei
				med svart pære-sensor	Nei
Kontakt detaljer	Power International AS, Postboks 523, N-1471 Lørenskog, Norge				





Dette symbolet på produktet eller i anvisningene betyr at det elektriske og elektroniske utstyret må leveres atskilt fra husholdningsavfall når det ikke lenger skal brukes.

Det finnes egne innsamlingssystemer for resirkulering i EU.

Du får nærmere informasjon ved å kontakte lokale myndigheter eller forhandleren du kjøpte produktet hos.

Power International AS,  
Postboks 523, N-1471 Lørenskog, Norge

Power Norge:  
<https://www.power.no/kundeservice/>  
T: 21 00 40 00

Expert Danmark:  
<https://www.expert.dk/kundeservice/>  
T: 70 70 17 07


Power Danmark:  
<https://www.power.dk/kundeservice/>  
T: 70 33 80 80

Punkt 1 Danmark:  
<https://www.punkt1.dk/kundeservice/>  
T: 70 70 17 07

Power Finland:  
<https://www.power.fi/tuki/asiakaspalvelu/>  
T: 0305 0305

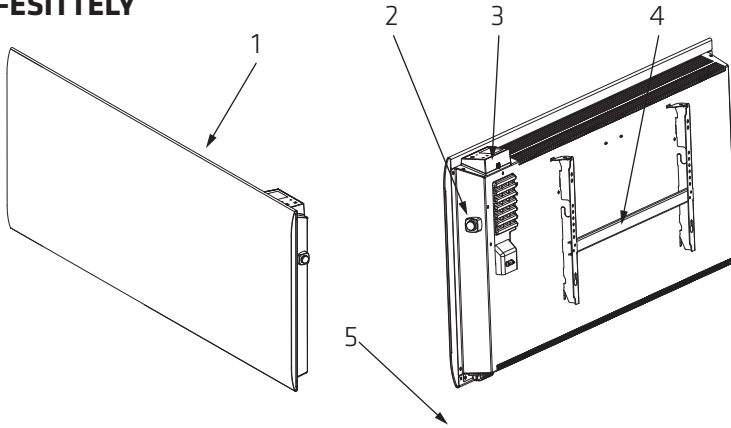
Power Sverige:  
<https://www.power.se/kundservice/>  
T: 08 517 66 000

## TURVALLISUUSOHJEET

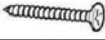

1.  Varoitus: Älä peitä lämmitintä ylikuumenemisen välttämiseksi.
2. Älä käytä laitetta paikoissa, joissa säilytetään syttyviä nesteitä tai joissa saattaa olla syttyviä höyryjä.
3. Tätä laitetta voivat käyttää vähintään 8-vuotiaat lapset ja henkilöt, joilla on alentuneet fyysiset tai henkiset kyvyt tai aistit, tai joilla ei ole kokemusta ja tietoa, jos heitä valvotaan tai ohjeistetaan laitteen turvalliseen käyttöön ja he ymmärtävät siihen liittyvät riskit.
4. Lapset eivät saa suorittaa puhdistustoimia tai käyttäjän kunnossapitotöitä ilman valvontaa.
5. Alle 3-vuotiaat lapset tulee pitää poissa, ellei heitä valvota jatkuvasti.
6. 3–8-vuotiaat lapset saavat kytkeä laitteen päälle/pois päältä vain, jos se on asetettu tai asennettu sille tarkoitettuun normaaliin käyttöasentoon ja heitä valvotaan tai heitä opastetaan laitteen turvalliseen käyttöön ja he ymmärtävät siihen liittyvät riskit. 3–8-vuotiaat lapset eivät saa kytkeä laitetta pistorasiaan, säätää ja puhdistaa laitetta tai suorittaa käyttäjän huoltotoimenpiteitä.
7. Lapsia tulee valvoa sen varmistamiseksi, etteivät he leiki laitteella.
8. Älä käytä tätä laitetta, jos se on pudonnut.
9. Jos verkkojohto on vaurioitunut, valmistajan tai sen huoltoedustajan tai vastaavan pätevyyden omaavan henkilön on vaihdettava se vaaran välttämiseksi.

10. Älä käytä laitetta, jos siinä on näkyviä vaurioita.
11. Varmista, että virtalähteesi jännite vastaa laitteen arvokilpeä.
12. Käytä laitetta vaakasuoralla ja vakaalla alustalla tai kiinnitä se seinään tarpeen mukaan.
13. VAROITUS: Älä käytä tätä lämmitintä pienissä huoneissa, jos niissä on henkilöitä, jotka eivät voi poistua huoneesta yksin, ellei jatkuvaa valvontaa ole järjestetty.
14. VAROITUS: Tulipalon vaaran vähentämiseksi pidä tekstiilit, verhot tai muut syttyvät materiaalit vähintään 1 metrin etäisyydellä ilmanpoistoaukosta.
15. VAROITUS: tämä laite tulee asentaa niin, että lämmittimen pohja on vähintään 50 mm lattian yläpuolella.
16. Varoitus: Laitetta ei saa sijoittaa välittömästi pistorasian alle.
17. Sammuta ja irrota laite pistorasiasta aina, kun sitä ei käytetä.
18. Irrota laite aina pistorasiasta ja varmista, että laite on täysin kylmä ennen sen siirtämistä, puhdistamista tai varastointia.
19. Kun käytät tätä laitetta, kytke se suoraan pistorasiaan, älä jatkojohtojen tai muiden sovittimien kautta, koska se voi aiheuttaa ylikuormituksen.
20. VAROITUS - Jotkin tämän laitteen osat voivat kuumentua hyvin kuumiksi ja aiheuttaa palovammoja. Erityistä huomiota on kiinnitettävä lapsiin ja heikossa asemassa oleviin henkilöihin.

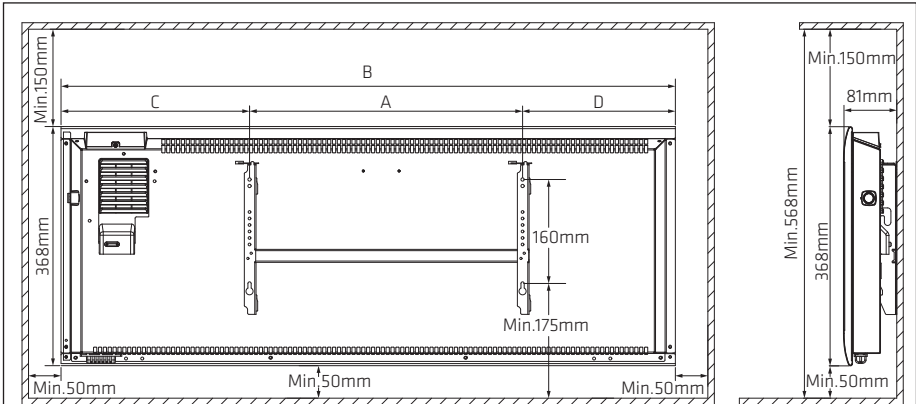
## TUOTE-ESITTELY



- 1. Runko
- 2. Kytkin
- 3. Ohjauspaneeli
- 4. Seinäteline
- 5. Seinäsennustarvikkeet

Kuvaus	Kuva	Määrä
Ruuvi		4
Muovitulppa		4

## ASENNUS



Mallinumero	Watt	A	B	C	D
POPANW1500	1500W	420mm	945mm	290mm	235mm
POPANW2000	2000W	490mm	1155mm	360mm	305mm

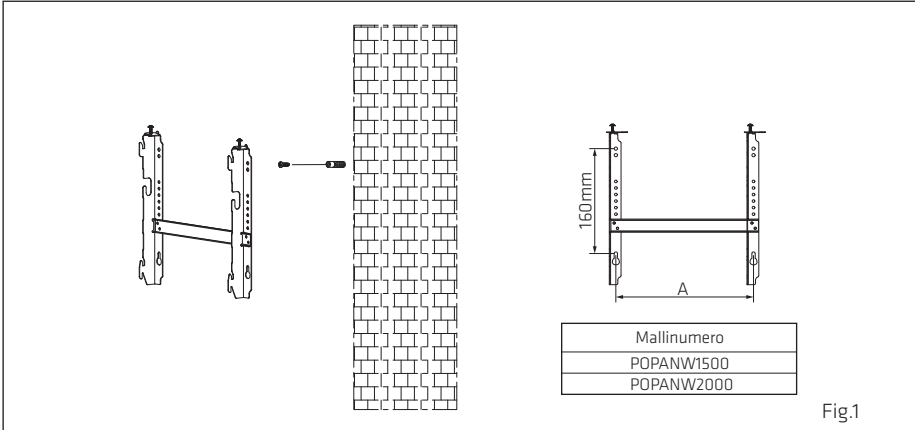


Fig.1

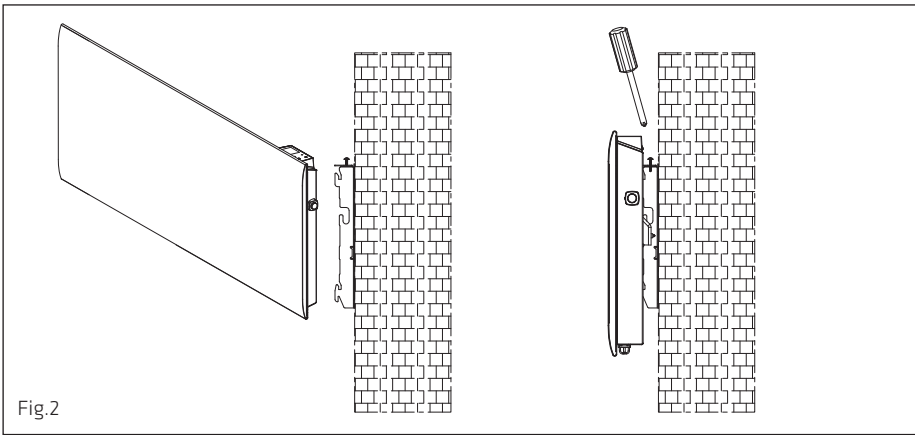


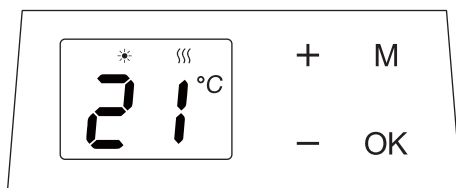
Fig.2

## Lämmittimen ripustaminen seinälle:

1. Valitse lämmittimelle sopiva asennuspaikka. Noudata vähimmäisetäisyyksiä kaikkiin suuntiin (kuva 1). Pura seinäkiinnike löysäämällä ruuvia (älä ruuvaa irti, vain löysää) ja liu'uttamalla metalliosat ulos reiästä. Irrota kannatin vetämällä sitä alas.
2. Varmista vesivaa'alla, että kannatin on täysin vaakasuora, ja merkitse reikien sijainti seinään. Poraa seinään reiät tappeja varten sopivalla poranterällä. Työnnä tapit reikiin ja ruuvaa sitten seinäkiinnike tukevasti seinään (kuva 2).
3. Aseta lämmitin telinettä vasten. Kiinnitä lämmitin kahteen alaspäin olevaan koukkuun. Vedä lämmitintä ylöspäin pitäen sitä 2 alemmassa koukussa. Kiinnitä lämmitin kahteen ylöspäin suuntautuvaan koukkuun. Vedä lämmitin alas. Työnnä 2 päällä olevaa metallikappaletta reikään ja kiinnitä ruuvit seinäkiinnikkeen lukitsemiseksi (kuva 3).

## Käyttö

### OHJAUSPANEELI



Kosketusikoni	Toiminto
+ / -	asetta lämpötila 5-35°C, porrastus 1°C
OK	vaihda tiloja (Manual, ECO, P1, P2, P3, P4, OF) tai vahvistä
M	siirry asetusvalikkoon tai peruuta

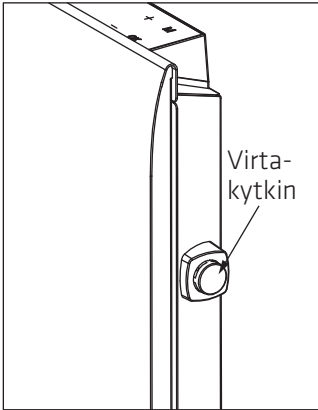
## KÄYTTÖ

1. Kun kytket laitteen pistorasiaan ensimmäisen kerran, paina virtakytkintä. Laite näyttää 21°C manuaalisessa tilassa tehdasasetuksena.

Painikkeen painaminen kytkee laitteen päälle tai pois päältä

Jos painike on ala-asennossa, laite on päällä (1).

Jos painike on yläasennossa, laite on pois päältä (0).



Kun ympäristön lämpötila on alle asetetun lämpötilan, lämmitin alkaa lämmittää huonetta, muuten ei.

Lämmityksen merkkivalo  $\{\{\{\}$  syttyy vain, kun tuote lämpenee.

Lämpötilan säätö:

Aseta lämpötila painamalla "+" tai "-". Min. asetetus on 5°C, max. on 35°C.

Painamalla pitkään "+" tai "-" nopeuttaa säätöä.

2. Sähkökatkon sattuessa lämmitin jatkaa toimintaansa samassa tilassa ja asetetussa lämpötilassa, kun virta on palannut.
3. Paina lyhyesti OK vaihtaaksesi seuraavien tilojen välillä: manuaalinen (NR), ECO, P1, P2, P3, P4, (5 sekunnin vilkkumisen jälkeen näytössä näkyy asetettu lämpötila), OF.

Manuaalinen: näytössä näkyy NA, paina "+" or "-" valitaksesi lämpötila manuaalisesti.

ECO-tila: näytössä näkyy EC, paina "+" or "-" valitaksesi lämpötila manuaalisesti.

P1-P4-tila: oletusohjelmat ovat alla. Niistä P1-P3 ovat kiinteitä esiasetettuja ohjelmia, kun taas P4 on vapaasti muokattava, viikoittainen ohjelma.

OF-tila: näytössä näkyy OF. Tämän tilan aikana laite ei lämpene, mutta kellon asetukset säilyvät.

Viikoittaiset tilat	P1 (5-2)	Maanantai-Perjantai				Lauantai-Sunnuntai	
	P2 (6-1)	Maanantai-Lauantai				Sunnuntai	
	P3 (7-0)	Maanantai- Sunnuntai					
	P4 (0-7)	Maanantai- Sunnuntai					
Ajan ja ohjelman asetus	Tapahtuma	4 lämmityssykliä				2 lämmityssykliä	
	Työtila	Comfort	Eco	Comfort	Eco	Comfort	Eco
	Aika	6:00-9:00	9:00-16:00	16:00-23:00	23:00-6:00	7:00-23:00	23:00-7:00
	Tehdasa- setus	21°C	17°C	21°C	17°C	P1/P2/P3:21°C P4:Seuraa manuaalista lämpötilan asetusta	P1/P2/P3:17°C P4:Seuraa ECO tila lämpötilan asetusta

4. Paina lyhyesti tai pidä painettuna "+" / "-" -kuvaketta muuttaaksesi asetettua lämpötilaa. Paina lyhyesti "+" / "-" säätääksesi lämpötilaa 1 °C: n portain, lämpötila-alue on 5°C–35°C. Pidä "+" / "-" painettuna lisätäksesi/ laskeaksesi lämpötilaa nopeasti.

5. Asetusvalikko

Paina lyhyesti M-kuvaketta siirtyäksesi asetusvalikkoon tai poistuaaksesi siitä.

Asetusvalikkoa voidaan käyttää laitteen toimintoluettelon näyttämiseen:  
td: ajan asetus

Pr: P4 (vapaasti säädettävä, viikoittainen ohjelma)

C: lämpötilan kalibrointi

LI: näytön kirkkauden säätö

AS: mukautuva käynnistystoiminto

Paina "+" tai "-" valitaksesi td (aikaasetus), Pr (vapaasti säädettävä, viikoittainen ohjelma P4), C (lämpötilakalibrointi), LI (näytön kirkkauden säätö), AS (Mukautuva käynnistystoiminto).

Valittu kuvake vilkkuu.

## Ajan asetus

Paina "M" valitaksesi "td" ja paina lyhyesti "OK" siirtyäksesi ajan asetusliittymään.

Paina "+" / "-" asettaaksesi viikonpäivän (d1-d7). Paina sitten "OK" tallentaaksesi ja syöttääksesi tuntiasetukset.

Paina "+" / "-" asettaaksesi tunnit (0-23). Paina sitten "OK" tallentaaksesi ja syöttääksesi minuuttiasetuksen.

Paina "+" / "-" asettaaksesi minuutit (00-59). Paina sitten "OK"



tallentaaksesi ja palataksesi edelliseen toimintatilaan ja lämpötilaan.

## **P4 vapaasti säädettävä, viikoittainen ohjelma**

Paina lyhyesti "M" valitaksesi Pr. Paina lyhyesti "OK" siirtyäksesi Pr (P4) vapaasti säädettävän, viikoittaisen ohjelman asetusliittymään (muokattava oletusohjelma on P4).

Voit valita 2 lämpötila-asetusta jokaiselle tunnille vuorokauden 24 tunnin aikana ja jokaiselle viikonpäivälle: COMFORT(☀️) and ECO(★).

COMFORT(☀️) on asetettu lämpötila-arvo; ECO(★) lämpötila-arvo on 4°C asetettua lämpötila-arvoa alhaisempi.

Oletuspäivä on d1. Voit painaa "+" / "-" valitaksesi vaihtoehtoista d1/d2/d3/d4/d5/d6/d7 (d1-maanantai, d2-tiistai, d3-keskiviikko, d4-torstai, d5-perjantai, d6-lauantai, d7 - sunnuntai). Paina "OK" vahvistaaksesi päivä. Näytössä näkyy 0, mikä tarkoittaa ensimmäistä tuntia (0:00-0:59). Paina lyhyesti "+" valitaksesi COMFORT(☀️), "-" valitaksesi ECO(★), tai "OK" säilyttääksesi edellisen asetuksen. Kun työtila on valittu 1 paina "OK" valitaksesi 2. tunnin työtilan ja syötä seuraava tuntiasetus. Toista yllä olevaa, kunnes valitset 24. tunnin (näytöllä näkyy 23) työtilan. Lämmitin palaa sitten automaattisesti viikonpäivän asetusliittymään.

Kun olet määrittänyt päivän, paina "OK" vahvistaaksesi ja toista sama toimenpide muina päivinä.

Kun olet tehnyt P4-asetuksen, näyttö vilkkuu 30 sekuntia ja palaa sitten asetusvalikkoon, jossa näytössä näkyy "Pr". "Pr" vilkkuu sitten 10 sekuntia, ja sitten näyttö palaa työtilan käyttöliittymään.

Voit tarkistaa P4:n koko ohjelman pitämällä "+" ja "-" painettuna 5 sekunnin ajan, kun näytössä näkyy "Pr". Näytöllä näkyy koko ohjelma tunti kerrallaan jokaisena viikonpäivänä.

## **Lämpötilan kalibrointi-asetus:**

Paina lyhyesti "M" valitaksesi "C". Paina lyhyesti "OK" siirtyäksesi C- eli lämpötilakalibroinnin asetusliittymään.

"0" näkyy näytössä oletuksena. Paina "+" / "-" asettaaksesi kompensointilämpötilan  $\pm 5$  °C:n tarkkuudella.

Esimerkki: lämmittimesi lämpötila-asetus on 24°C. Lämmitin lopettaa lämmittämisen, vaikka lämpömittaris ilmoittaa lämpötilan olevan vain 22°C. Valitse tässä tapauksessa kalibrointi-arvo -2°C.

## Näytön kirkkauden säätö:

Paina lyhyesti "M" valitaksesi LI. Paina "OK" siirtyäksesi LI- eli näytön kirkkauden asetusliittymään. Voit säätää näytön kirkkautta.

Oletusasetusarvo on 3.

Paina "+" / "-" valitaksesi asteen 1-5. Aste 1 on tummin ja 5 on kirkkain.


## Mukautuva käynnistystoiminto:



Paina lyhyesti "M" valitaksesi "AS". Paina "OK" siirtyäksesi mukautuvan käynnistystoiminnon asetusliittymään. Näytössä näkyy "on" tai "oF". Paina "+" tai "-" muuttaaksesi valintaa. Kun "on" on valittuna, mukautuva käynnistystoiminto aktivoituu. Kun "oF" on valittuna, toiminto ei ole käytössä. Oletusasetus on "oF".

Tämä ominaisuus mittaa huoneen lämpöinertian ja kytkee lämmittimet päälle etukäteen varmistaakseen, että "COMFORT" saavutetaan asetettuna aikana. Tämä toiminto voi käynnistää laitteen lämmittämään enintään 2 tuntia etukäteen.

Huomautuksia: Tämä toiminto koskee vain P1-, P2- ja P3-ohjelmia.

## Ikkunan avauksen tunnistintoiminto

Paina "+" ja "OK" 5 sekuntia siirtyäksesi ikkunantunnistimen asetuksiin ja  vilkkuu. Näytössä näkyy "on" tai "oF". Paina "+" tai "-" valitaksesi. Jos "on" on valittuna, ikkunantunnistustoiminto aktivoituu. Kun "oF" on valittuna, ikkunan ilmaisintoiminto poistetaan käytöstä. Paina "OK" tallentaaksesi. 5 sekunnin käyttämättömyyden jälkeen lämmitin tallentaa automaattisesti asetuksen ja palaa edelliseen toimintatilaan. Tehdasasetus on pois päältä.

Kun "on" on valittuna, kuvake  Kun lämpötilan lasku havaitaan, laite siirtyy jäätyminenestotilaan (näytössä näkyy 7°C ja  vilkkuu). Kun lämpötilan nousu havaitaan, laite palaa edelliseen toimintatilaan. Voit palata edelliseen työtilaan painamalla mitä tahansa painiketta.

## Lapsilukko:

Paina "M" ja "-" 5 sekunnin ajan, kunnes näytössä näkyy "CC". Lapsilukko on nyt aktivoitu. Toista sama toimenpide poistaaksesi lapsilukon käytöstä. Kun lapsilukko on aktivoitu, "CC" vilkkuu 3 kertaa ja palaa lämpötilanäyttöön. Paina mitä tahansa kuvaketta ohjauspaneelissa, näytössä näkyy "CC" 3 kertaa ja palaa lämpötilanäyttöön.

Lapsilukkotoiminto pysyy käytössä sen jälkeen, kun se palaa toimintaan

sähkökatkon jälkeen..

## **Näytön automaattinen sammuminen**

Aktivoi: paina “-” ja “OK” 5 sekunnin ajan. Näyttö välähtää 3 kertaa ja aktivoi näytön automaattisen sammutustoiminnon. Näyttö sammuu, jos mitään toimintoa ei tehdä 30 sekunnin kuluessa. Paina mitä tahansa kuvaketta syyttääksesi näytön uudelleen.

Deaktivointi: toista sama toimenpide poistaaksesi tämän toiminnon käytöstä.

Kun näytön automaattinen sammutustoiminto on aktivoitu, paina “OK” ja “-” samanaikaisesti yli 5 sekunnin ajan, prosessin aikana kaikki näytön kuvakkeet vilkkuvat hitaasti, kunnes ne sammuvat ja näytön automaattinen sammutustila poistetaan käytöstä.

## **Muistitoiminto**

Kun virta katkeaa, lämmitin tallentaa muistiin asetetun työlämpötilan ennen sähkökatkoa ja jatkaa toimintaansa virran palattua. Sähkökatkon sattuessa lämmitin pitää sisäisen kellon käynnissä 24 tuntia. Jos virta on katkaistu yli 24 tunniksi, kun virta kytketään uudelleen päälle, lämmitin palaa viimeksi käytettyyn lämpötilaan, sisäinen kello palaa oletusaikaan ja alkaa taas toimia. Näyttö vilkkuu osoittaen, että sähkökatkos on tapahtunut. Vilkkuminen jatkuu, kunnes mitä tahansa painiketta painetaan vilkkumisen lopettamiseksi.

## **Lämmityskuvake**


1. Kun havaitaan, että ympäristön lämpötila on asetettua lämpötilaa alhaisempi ja lämmittimen on aloitettava toiminta, lämmityskuvake syttyy. Jos ympäristön lämpötilan havaitaan olevan korkeampi kuin asetettu lämpötila, lämmityskuvake sammuu.

2. Valmiustilassa lämmityskuvaketta ei näytetä.

## **Nollaus**

Pidä “+” ja “M” painettuna samanaikaisesti yli 5 sekuntia. Näytössä näkyy “rE”. Asetuslämpötila palaa tehtaan oletusasetukseen 21°C.

## **WiFi-yhteys**

Liitä virtapistoke ja kytke virtakytkin päälle. Valitse “OF”-tila painamalla “OK”-painiketta, kunnes “OF”-symboli tulee näkyviin. Pidä “OK”-painiketta painettuna yli 5 sekuntia, jolloin kuvake “” vilkkuu.

Katso lisätietoja "Wi-Fi-oppaasta

## Vianetsintä

Jos tuote ei toimi tai toimi kunnolla, tarkista ensin seuraava luettelo. Jos vian syy ei ole seuraavassa luettelossa, tuote on saattanut rikkoutua. Tässä vaiheessa on suositeltavaa lähettää tuote jälleenmyyjälle tai korjata se.

Ongelma	Mahdollinen syy	Ratkaisu
Virtapistoke on kytketty, mutta laite ei toimi.	Virtapistoketta ei ehkä ole kytketty oikein pistorasiaan.	Tarkista, että pistoke on kytketty oikein pistorasiaan.
Lämmitin pysähtyy äkillisesti lämmityksen aikana	Lämpötila ylittää lämpökatkaisun kynnyksen.	Järjestelmä katkaisee automaattisesti virransyötön. Jäähdytä lämmitin ennen kuin käytät sitä uudelleen.

## PUHDISTUS JA VARASTOINTI

Suosittelemme, että lämmitin puhdistetaan vähintään kerran käyttökauden aikana, jotta saavutetaan optimaalinen suorituskyky.

**KYTKE AINA VIRTAKYTKIN POIS PÄÄLTÄ JA IRROTA LÄMMITTIMEN PISTOKE PISTORASIASTA ENNEN PUHDISTUSTA.**

Muista säästää laatikko sesongin ulkopuolella säilytystä varten.

- Kytke lämmitin pois päältä, irrota se pistorasiasta ja odota, että lämmitin jäähtyy.
- Puhdista lämmittimen ulkopinnat kuivalla liinalla.
- Älä käytä puhdistus- tai pesuaineita.
- Älä koskaan upota lämmitintä veteen.
- Pakkaa lämmitin alkuperäiseen laatikkoon ja säilytä sitä viileässä ja kuivassa paikassa.

## Tekniset tiedot

Taajuusalue: WiFi 2.4GHz (2.412-2.472GHz), RF-johtoteho: 6.5 dBm

Refno.	3200233	3200234
Malli no.	POPANW1500	POPANW2000
Jännite	220-240V~ 50-60Hz	220-240V~ 50-60Hz
Teho	1500W	2000W
Luokka	II	II
IPluokitus	IP24	IP24

Mallin tunniste/tunnisteeet: POPANW1500					
Nimike	Symboli	Arvo	Yksikkö	Nimike	Kyllä/Ei
Lämmöntuotto				Lämmöntuoton tyyppi, vain sähkövaraaville paikallislämmittimille (valitse yksi)	
Nimellinen lämmöntuotto	$P_{nom}$	1.5	kW	manuaalinen lämmönsäätö, integroidulla termostaatilla	NA
Min lämmöntuotto (ohjeellinen)	$P_{min}$	-	kW	manuaalinen lämmön varauksen hallinta huoneen ja/tai ulkolämpötilan palautteella	NA
Max jatkuva lämmöntuotto	$P_{max,c}$	1.5	kW	elektroninen lämmönsäätö huoneen ja/tai ulkolämpötilan palautteella	NA
Ylimääräinen sähkönkulutus				puhaltimen avustama lämmöntuotto	NA
Nimellislämpöteholla	$e_{lmax}$	0.000	kW	Lämmöntuotannon tyyppi / huonelämpötilan säätö (valitse yksi)	
Pienimmällä lämpöteholla	$e_{lmin}$	0.000	kW	yksivaiheinen lämmöntuotto eikä huonelämpötilan säätöä	Ei
Valmiustilassa	$e_{SB}$	0.0005	kW	kaksi tai useampia manuaalivaiheita, ei huonelämpötilan säätöä	Ei
				huonelämpötilan säätö mekaanisella termostaatilla	Ei
				elektronisella huonelämpötilan säätimellä	Ei
				elektroninen huonelämpötilan säätö plus päivän ajastin	Ei
				elektroninen huonelämpötilan säätö plus viikkoajastin	Kyllä
				Muut ohjausvaihtoehdot (useat valinnat mahdollisia)	
				huoneen lämpötilan säätö läsnäolotunnistuksella	Ei
				huonelämpötilan säätö, avoimen ikkunan tunnistus	Kyllä
				etäohjausmahdollisuus	Kyllä
				mukautuva käynnistysohjaus	Ei
				työajan rajoitus	Ei
				"Black Bulb" -anturi (ilman ja säteilyn lämpötila-anturi)	Ei
Contact details	Power International AS, PO Box 523, N-1 471 Lørenskog, Norway				

Mallin tunniste/tunnistheet : POPANW2000					
Nimike	Symboli	Arvo	Yksikkö	Nimike	Kyllä/Ei
Lämmöntuotto				Lämmöntuoton tyyppi, vain sähkövaraaville paikallislämmittimille (valitse yksi)	
Nimellinen lämmöntuotto	$P_{nom}$	2.0	kW	manuaalinen lämmönsäätö, integroidulla termostaatilla	NA
Min lämmöntuotto (ohjeellinen)	$P_{min}$	-	kW	manuaalinen lämmön varauksen hallinta huoneen ja/tai ulkolämpötilan palautteella	NA
Max jatkuva lämmöntuotto	$P_{max,c}$	2.0	kW	elektroninen lämmönsäätö huoneen ja/tai ulkolämpötilan palautteella	NA
Ylimääräinen sähkönkulutus				puhaltimen avustama lämmöntuotto	NA
Nimellislämpöteholla	$e_{lmax}$	0.000	kW	Lämmöntuotannon tyyppi / huonelämpötilan säätö (valitse yksi)	
Pienimmällä lämpöteholla	$e_{lmin}$	0.000	kW	yksivaiheinen lämmöntuotto eikä huonelämpötilan säätöä	Ei
Valmiustilassa	$e_{SB}$	0.0005	kW	kaksi tai useampia manuaalivaiheita, ei huonelämpötilan säätöä	Ei
				huonelämpötilan säätö mekaanisella termostaatilla	Ei
				elektronisella huonelämpötilan säätimellä	Ei
				elektroninen huonelämpötilan säätö plus päivän ajastin	Ei
				elektroninen huonelämpötilan säätö plus viikkoajastin	Kyllä
				Muut ohjausvaihtoehdot (useat valinnat mahdollisia)	
				huoneen lämpötilan säätö läsnäolotunnistuksella	Ei
				huonelämpötilan säätö, avoimen ikkunan tunnistus	Kyllä
				etäohjausmahdollisuus	Kyllä
				mukautuva käynnistysohjaus	Ei
				työajan rajoitus	Ei
				"Black Bulb" -anturi (ilman ja säteilyn lämpötila-anturi)	Ei
Contact details	Power International AS, PO Box 523, N-1 471 Lørenskog, Norway				



Tämä tuotteessa tai ohjeissa oleva symboli tarkoittaa, että sähkö- ja elektroniikkalaitteesi tulee hävittää käyttöikänsä päätyttyä erillään kotitalousjätteestä. EU:ssa on erilliset kierrätysjärjestelmät. Lisätietoja saat paikalliselta viranomaiselta tai jälleenmyyjältä, jolta ostit tuotteen.

Power International AS,  
PO Box 523, N-1471 Lørenskog, Norway

Power Norjassa:  
<https://www.power.no/kundeservice/>  
P: 21 00 40 00

Expert Tanskassa:  
<https://www.expert.dk/kundeservice/>  
P: 70 70 17 07

Power Tanskassa:  
<https://www.power.dk/kundeservice/>  
P: 70 33 80 80


Punkt 1 Tanskassa:  
<https://www.punkt1.dk/kundeservice/>  
P: 70 70 17 07

Power Suomessa:  
<https://www.power.fi/tuki/asiakaspalvelu/>  
P: 0305 0305

Power Sverige:  
<https://www.power.se/kundservice/>  
P: 08 517 66 000

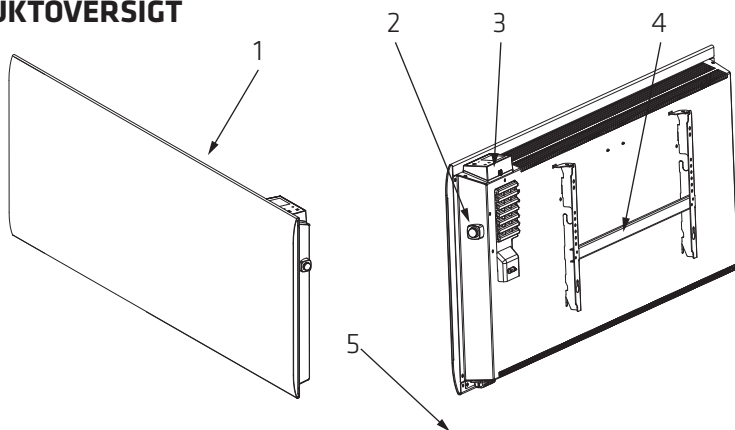


## SIKKERHEDSINSTRUKTIONER

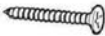

1.  Advarsel: For at undgå overophedning, må varmeapparatet ikke tildækkes.
2. Apparatet må ikke bruges i områder, hvor der opbevares brændbare væsker, eller hvor der kan være brændbare dampe.
3. Dette apparat må ikke bruges af børn under 8 år eller af personer med nedsatte fysiske, følelsesmæssige eller mentale evner eller med mangel på erfaring eller viden, hvis de ikke er under opsyn eller er blevet instrueret i, hvordan dette apparat bruges sikkert, og forstår risikoen ved at bruge det.
4. Rengøring og vedligeholdelse må ikke udføres af børn uden opsyn.
5. Børn under 3 år skal holdes væk fra apparatet, medmindre de er under konstant opsyn.
6. Børn i alderen fra 3-8 år må kun tænde/slukke apparatet, forudsat at det er placeret eller installeret et sted, hvor det må og at børnene er under opsyn eller er blevet vejledt i, hvordan apparatet bruges på en sikker måde, og at de forstår hvilke farer, der er involveret. Børn i alderen fra 3-8 år må ikke tilslutte, regulere eller rengøre apparatet eller udføre vedligeholdelsesarbejde på apparatet.
7. Børn skal være under opsyn, så de ikke leger med apparatet.
8. Apparatet må ikke bruges, hvis det tabes på jorden.
9. Hvis ledningen beskadiges, skal den skiftes af producenten, dennes servicerepræsentant eller en tilsvarende kvalificeret fagmand, så enhver fare undgås.

10. Apparatet må ikke bruges, hvis der er nogen synlige tegn på skader.
11. Sørg for, at spændingen i strømforsyningen passer med værdierne på mærkepladen.
12. Dette apparat skal bruges på en vandret og stabil overflade, eller det skal spændes fast på en væg, alt efter hvad der er relevant.
13. ADVARSEL: Brug ikke dette varmeapparat i små værelser med personer, der ikke selv er i stand til at forlade værelset, medmindre det er under konstant opsyn.
14. ADVARSEL: For at mindske brandrisikoen, skal du holde tekstiler, gardiner eller andet brandfarligt materiale mindst 1 meter fra luftudgangen.
15. ADVARSEL: Dette apparat skal opstilles således, at bunden på apparatet er mindst 50 mm over gulvet.
16. Erklæring: Apparatet må ikke placeres lige under en stikkontakt.
17. Sluk altid apparatet og træk stikket ud af stikkontakten, når det ikke er i brug.
18. Træk altid stikket ud af stikkontakten og sørg for, at apparatet er helt koldt, inden det flyttes, rengøres eller gemmes væk.
19. Under brug af dette apparat, skal stikket altid sluttes direkte til stikkontakten. Brug ikke en forlængerledning eller andre adaptere, da dette kan overbelaste apparatet.
20. FORSIGTIG - Nogle dele af dette produkt kan blive meget varme og give brandsår. Vær særlig opmærksom, hvis børn og sårbare personer er til stede.

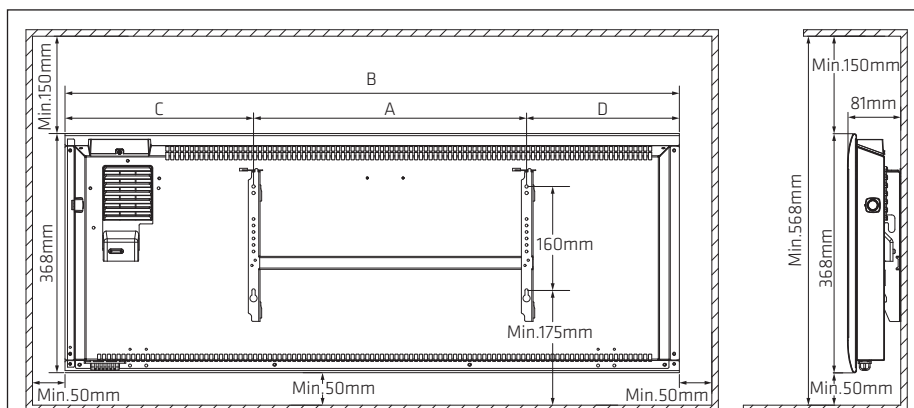
## PRODUKTOVERSIGT



- 1.Kabinet
- 2.Tænd/sluk-knap
- 3.Betjeningspanel
- 4.Vægbeslag
- 5.Væghængssæt

Beskrivelse	Tegning	Antal
Skrue		4
Plastikprop		4

## INSTALLATION



Modelnummer	Watt	A	B	C	D
POPANW1500	1500W	420mm	945mm	290mm	235mm
POPANW2000	2000W	490mm	1155mm	360mm	305mm

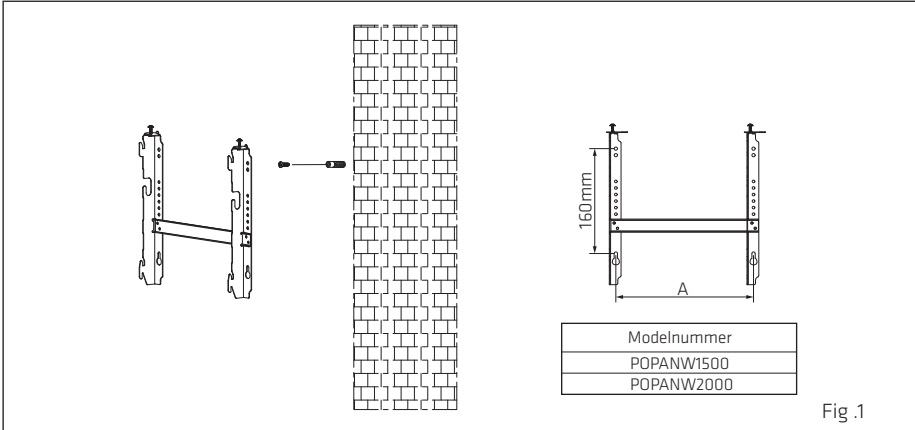


Fig.1

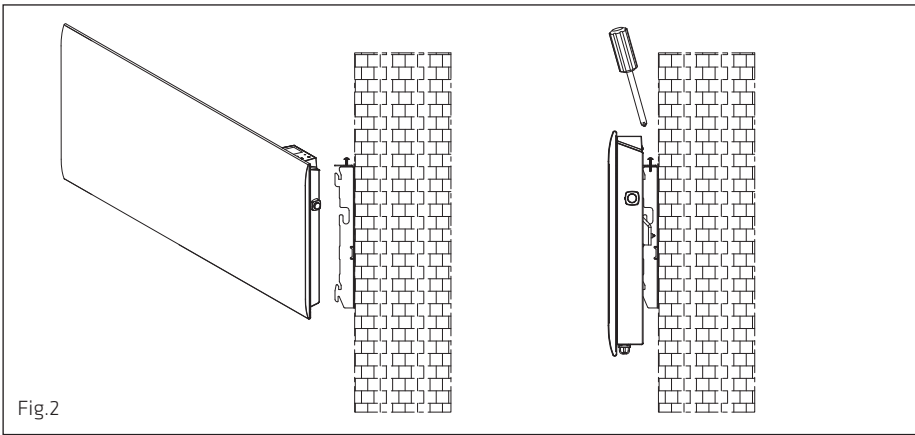
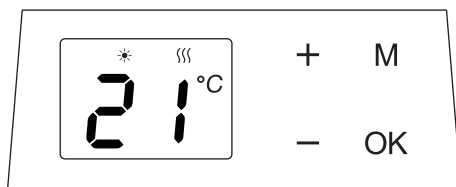


Fig.2

## Sådan hænges varmeapparatet på væggen:

1. Vælg et passende monteringssted til varmeapparatet. Følg minimumsafstandene i alle retninger (fig. 1). Skil vægbeslaget ad ved, at løsne skruen (den må ikke skrues helt af, kun løsnes) og tryk metalstykkerne ud af hullet. Tag beslaget ud ved, at trække det nedad.
2. Sørg for, at beslaget er helt vandret med et vaterpas, og marker hullerne på væggen. Bor hullerne i væggen til pløkkene med et passende bor. Sæt pløkkene i hullerne, og skru derefter vægmonteringsbeslaget fast på væggen (fig. 2).
3. Placer varmeapparatet mod beslaget. Spænd varmeapparatet fast på de 2 nedadgående kroge. Træk varmeapparatet opad, samtidig med at du holder det i de 2 nederste kroge. Spænd varmeapparatet fast på de to opadgående kroge. Træk varmeapparatet ned. Tryk de 2 metalstykker for oven ind i hullet, og spænd skruerne for at låse vægmonteringsbeslaget fast (fig. 3).

## Brug BETJENINGSPANEL



Berøringsikon	Funktion
+/-	Indstil temperaturen fra 5-35°C. Skru temperaturen op/ned med 1°C trin.
OK	Skift funktion (Manuel, Energibesparende, P1, P2, P3, P4, OF) eller bekræft funktionen.
M	Åbn indstillingsmenuen, eller annuller en funktion.

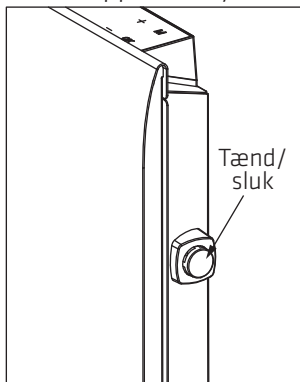
## BRUG

1. Når apparatet tilsluttes for første gang, skal du trykke på tænd/sluk-knappen, hvorefter apparatet som standard viser 21 °C og står på den manuelle funktion.

Tryk på denne knap, for at tænde og slukke apparatet

Hvis knappen er trykket ned, er apparatet tændt (1).

Hvis knappen er trykket op, er apparatet slukket (0).



Hvis temperaturen i rummet er under den indstillede temperatur, varmer apparatet rummet op, og hvis temperaturen er over, varmer apparatet ikke. Varmeindikator-ikonet {{{ lyser kun, når produktet varmer op.

Temperaturindstilling:

Brug "+" og "-" til, at indstille temperaturen. Den laveste indstilling er 5°C. Den højeste indstilling er 35°C. Hvis du holder "+" eller "-" nede, justeres temperaturen hurtigere.

2. I tilfælde af strømsvigt, starter varmeapparatet på den samme funktion og indstillede temperatur, som det stod på, før strømmen blev afbrudt.
3. Tryk på OK for, at skifte mellem følgende funktioner: Manuel (NA), ECO, P1, P2, P3, P4, (Når skærmen har blinket i 5 sekunder, viser den indstillede temperatur), OF.

Manuel: Skærmen viser NA. Brug "+" og "-" til, at vælge temperaturen manuelt.

Energibesparende-funktion: Skærmen viser EC. Brug "+" og "-" til, at vælge temperaturen manuelt.

P1-P4-funktion: Standardprogrammerne er som vist nedenfor. Blandt dem er P1 til P3 faste forudindstillede programmer, og P4 er et ugentligt tilpasset program.

OF-funktion: Skærmen viser OF (SLUK). Apparatet varmer ikke på denne indstilling, men ur-indstillingerne beholdes.

Ugentlige funktioner	P1 (5-2)	Mandag-fredag				Lørdag-søndag	
	P2 (6-1)	Mandag-lørdag				Søndag	
	P3 (7-0)	Mandag-søndag					
	P4 (0-7)	Mandag-søndag					
Tid- og program-indstilling	Begivenhed	4 opvarmningsforløb				2 opvarmningsforløb	
	Tidsperiode	Komfort	Energibesparende	Komfort	Energibesparende	Komfort	Energibesparende
	Tid	6:00-9:00	9:00-16:00	16:00-23:00	23:00-6:00	7:00-23:00	23:00-7:00
	fabriksindstilling	21°C	17°C	21°C	17°C	P1/P2/P3:21°C P4:Følg den manuelle temperaturindstilling	P1/P2/P3:17°C P4:Følg den Energibesparende funktion temperaturindstilling

4. Kort én gang eller gentagne gange på "+" / "-" for, at ændre den indstillede temperatur. Tryk på "+" / "-" for at justere temperaturen en 1°C for hvert tryk. Temperaturområdet er fra 5°C-35°C. Hold "+" / "-" nede for, at skrue hurtigere op/ned for temperaturen.

#### 5. Indstillingsmenu

Tryk på "M"-ikonet for, at åbne eller afslutte indstillingsmenuen.

Indstillingsmenuen kan bruges til, at se apparatets funktionsliste:

td: Tidsindstilling

Pr: P4 (ugentlig tilpasset program)

C: temperaturkalibrering

Ll: Justering af skærmens lysstyrke

AS: Adaptiv startfunktion

Brug "+" og "-" til, at vælge mellem td (tidsindstilling), Pr (P4 ugentlig tilpasset program), C (temperaturkalibrering), Ll (justering af skærmens lysstyrke), AS (Adaptiv start-funktion).

Det valgte ikon blinker.

### Tidsindstilling:

Tryk på "M" for, at vælge "td", og tryk på "OK" for at åbne tidsindstillingen.

Brug "+" / "-" til, at indstille ugedagen (vælg fra d1 til d7). Tryk derefter på "OK" for at gemme indstillingen, og gå videre til indstilling af timerne.

Brug "+" / "-" til, at indstille timerne (vælg mellem 0-23). Tryk derefter på "OK" for, at gemme indstillingen, og gå videre til indstilling af minutterne.

Brug "+" / "-" til, at indstille minutterne (vælg mellem 00-59). Tryk derefter på "OK" for at gemme indstillingen, og gå tilbage til den forrige

driftsfunktion og temperatur.

## **P4 ugentlig tilpasset program**

Tryk på "M" for, at vælge Pr. Tryk på "OK" for, at åbne Pr (P4) ugentlige programindstillingen (standardprogrammet, der kan ændres, er P4).

Du kan vælge 2 indstillede temperaturpunkter for hver time af døgnets 24 timer og hver dag i ugen: KOMFORT (☀️) og ECO (★).

KOMFORT (☀️) er den indstillede temperaturværdi. Temperaturværdien på ECO (★) er 4°C lavere end den indstillede temperaturværdi.

Standarddagen er d1. Du kan bruge "+" / "-" til, at vælge mellem

d1/d2/d3/d4/d5/d6/d7 (d1-mandag, d2-tirsdag, d3-onsdag, d4-torsdag, d5-fredag, d6-lørdag, d7-søndag). Tryk på "OK" for, at bekræfte dagen.

Skærmen viser 0, hvilket er den første time (0:00-0:59). Tryk på "+" for, at vælge Komfort (☀️), "-" for at vælge Energibesparende (★) eller "OK" for at beholde den forrige indstilling. Når du har valgt driftsfunktionen til den 1.

time, tryk på "OK" for at vælge driftsfunktionen til den 2. time, og gå videre til den næste timeindstilling. Gentag ovenstående trin, indtil du vælger driftsfunktionen til den 24. time (23 vises på skærmen). Varmeapparatet går derefter automatisk tilbage til indstillingen af ugedagene.

Når du er færdig med at indstille dagen, skal du trykke på "OK" for at bekræfte dit valg. Gør derefter det samme på resten af dagene.

Når du er færdig med indstillingen af P4, blinker skærmen i 30 sekunder, hvorefter den går tilbage til indstillingsmenuen og viser "Pr". "Pr" blinker derefter i 10 sekunder, hvorefter skærmen går tilbage til driftsfunktionen.

For at se hele programmet i P4, skal du holde "+" & "-" nede i 5 sekunder, når skærmen viser "Pr". Skærmen viser hele programmet time for time for hver ugedag.

## **Temperaturkalibrering:**

Tryk på "M" for, at vælge "C". Tryk på "OK" for, at åbne C-temperaturkalibreringen.

"0" vises som standard på skærmen. Brug "+" / "-" til, at indstille kompensationstemperaturen inden for ±5 °C.

Eksempel: Temperaturen på varmeapparatet er sat på 24°C. Varmeapparatet holder op med at varme, selvom dit termometer siger, at temperaturen kun er 22°C. I dette tilfælde skal du vælge kalibreringsværdien -2°C.



## Justering af skærmens lysstyrke:

Tryk på "M" for, at vælge LI. Tryk på "OK" for at åbne LI-skærmens lysstyrkeindstilling. Her kan skærmens lysstyrke justeres.

Standardindstillingen er 3.


Brug "+" / "-" til, at vælge mellem klasse 1 til 5. Klasse 1 er den mørkeste, og 5 er den lyseste.



## Adaptiv start-funktion:

Tryk på "M" for, at vælge "AS". Tryk på "OK" for, at åbne Adaptiv Start-indstillingen. Skærmen viser "on" (Til) eller "oF" (Fra). Brug "+" og "-" til, at ændre dit valg. Når "on" (Til) vælges, slås Adaptiv Start-funktionen til. Når "oF" (Fra) vælges, slås funktionen fra. Standardindstillingen er "oF" (Fra). Denne funktion måler rummets termiske inertie og tænder for varmeapparatet på forhånd, så "komfort"-temperaturen nås på det indstillede tidspunkt. Denne funktion kan tænde apparatet og sætte det til, at varme op til 2 timer i forvejen.

Bemærkninger: Denne funktion kan kun bruges på programmerne P1, P2 og P3.

## Registrering af vinduer

Hold "+" & "OK" nede i 5 sekunder for, at åbne vindue-registreringsfunktionen, hvorefter  blinker. Skærmen viser "on" (Til) eller "oF" (Fra). Brug "+" og "-" til, at vælge med. Hvis "on" (Til) vælges, slås vindue-registreringsfunktionen til. Hvis "oF" (Fra) vælges, slås vindue-registreringsfunktionen fra. Tryk på "OK", for at gemme. Efter 5 sekunder uden brug, gemmer varmeapparatet automatisk indstillingen og går tilbage til tidligere driftsfunktion. Denne indstilling er som standard slået fra.

Når indstillingen slås "on", vises  på skærmen. Hvis temperaturen falder, går apparatet på anti-frost-funktionen (skærmen viser 7°C og  blinker). Hvis temperaturen stiger, går apparatet tilbage til den tidligere driftsfunktion. Du kan trykke på en vilkårlig knap, for at gå tilbage til den tidligere driftsfunktion.

## Børnesikring:

Hold "M" og "-" nede i 5 sekunder, indtil skærmen viser "CC". Børnesikringen er nu slået til. Gør det samme, for at slå børnesikringen fra.

Når børnesikringen slås til, blinker "CC" 3 gange og apparatet går tilbage til temperaturvisningen. Tryk på et vilkårligt ikon på betjeningspanelet, hvorefter skærmen viser "CC" 3 gange og apparatet går tilbage til

temperaturvisningen.

Hvis der opstår strømsvigt og apparatet slukkes og tændes, er børnesikringen stadig slået til.

### **Automatisk slukning af skærmen**

Denne funktion slås til ved, at holde "-" & "OK" nede i 5 sekunder. Skærmen blinker 3 gange, og hvorefter automatisk slukning af skærmen slås til.

Skærmen slukker automatisk, hvis apparatet ikke bruges i 30 sekunder. Tryk på et vilkårligt ikon for, at tænde skærmen igen.

Denne funktion slås fra på samme måde som den slås til.

Når Automatisk slukning af skærmen slås til, skal du holde "OK" & "-" nede på samme tid i over 5 sekunder. Alle ikonerne på skærmen blinker langsomt, hvorefter skærmen slukker. Automatisk slukning af skærmen er nu slået fra.

### **Hukommelsesfunktion**

Når strømmen er slukket, husker varmeapparatet den indstillede driftstemperatur før strømmen afbrydes. Når apparatet tændes igen, står det på samme indstilling. I tilfælde af strømsvigt, holdes apparatets interne ur kørende i 24 timer. Hvis strømmen afbrydes i over 24 timer, står apparatet på den sidst brugte temperatur, når det tændes igen, og dets interne ur går tilbage til standardtiden. Skærmen blinker, hvilket indikerer, at der har været en strømafbrydelse. Skærmen bliver ved med at blinke, indtil der trykkes på en vilkårlig knap.

### **Opvarmningsikon**

1. Når apparatet registrerer, at temperaturen i rummet er lavere end den indstillede temperatur, og det skal begynde at varme, begynder varmeikonet at lyse. Hvis apparatet registrerer, at temperaturen i rummet er højere end den indstillede temperatur, slukker varmeikonet.

2. Varmeikonet vises ikke, når apparatet er på standby.

### **Nulstil**

Hold "+" og "M" nede på samme tid i mindst 5 sekunder. Skærmen viser "rE". Den indstillede temperatur går tilbage til fabriksindstillingen på 21°C.

### **Wi-Fi-forbindelse**

Tilslut strømkablet og tænd på kontakten. Vælg "OF" (FRA) ved at trykke på "OK"-knappen, indtil "OF"-symbolet vises. Tryk gentagne gange på "OK" i mindst 5 sekunder, hvorefter ikonet "📶" begynder at blinke.

Se "Wi-Fi-vejledningen" for yderligere vejledninger.

## Fejlfinding

Hvis produktet ikke virker, eller det ikke virker ordentligt, skal du se følgende liste. Hvis årsagen til fejlen ikke er på følgende liste, er produktet muligvis beskadiget. I dette tilfælde, anbefales det at sende produktet til forhandleren eller få det repareret.

Problem	Mulig årsag	Løsning
Strømsstikket er sat i stikkontakten, men apparatet virker ikke.	Stikket er muligvis ikke sat ordentligt i stikkontakten.	Tjek at stikket sidder korrekt i stikkontakten.
Varmeapparatet stopper pludseligt, mens det varmer.	Temperaturen overstiger grænsen for overophedning.	Systemet afbryder automatisk for strømforsyningen til apparatet.

## RENGØRING OG OPBEVARING

Det anbefales at rengøre varmeapparatet mindst en gang per sæson, for at det kan fungerer optimalt.

**SLUK ALTID PÅ STIKKONTAKTEN OG TRÆK STIKKET UD AF STIKKONTAKTEN FØR RENGØRING.**

Gem emballagen til opbevaring udenfor sæson.

- Stil varmeapparatet på "SLUK", træk stikket ud af stikkontakten og vent, indtil varmeapparatet er kølet af.
- Rengør varmeapparatets overflade med en tør klud.
- Brug ikke nogen rengøringsmidler eller rensesvesker.
- Varmeapparatet må aldrig komme i vand.
- Pak varmeapparatet i originalemballagen og opbevar det et køligt og tørt sted.

## Tekniske data

Frekvensområde: Wi-Fi 2,4 GHz (2,412-2,472 GHz). RF ledet strøm: 6,5 dBm

Referencenummer	3200233	3200234
Modelnummer	POPANW1500	POPANW2000
Nominel spænding	220-240V~ 50-60Hz	220-240V~ 50-60Hz
Nominel effekt	1500W	2000W
Nominel effekt	II	II
IPklassificering	IP24	IP24

Modelidentifikation: POPANW1500					
Apparat	Symbol	Værdi	Enhed	Apparat	Enhed
Opvarmningseffekt				Type af varmeinput. Kun til elektriske rumopvarmere (vælg en)	
Nominel varmeeffekt	$P_{nom}$	1,5	kW	manuel indstilling af varmeafgivelse med indbygget termostat	Ikke relevant
Minimum varme	$P_{min}$	-	kW	manuel indstilling af varmeafgivelse med feedback fra rum og/eller udendørs temperatur	Ikke relevant
udgang (vejledende)	$P_{max,c}$	1,5	kW	elektronisk indstilling af varmeafgivelse med feedback fra rum og/eller udendørs temperatur	Ikke relevant
Supplerende elforbrug				blæserassisteret varmeeffekt	Ikke relevant
Ved nominel varmeeffekt	$e_{lmax}$	0,000	kW	Type af varmeeffekt/rumtemperaturstyring (vælg en)	
Ved minimum varmeeffekt	$e_{lmin}$	0,000	kW	enkelt-trins varmeeffekt uden rumtemperaturstyring	Nej
På standby	$e_{lsb}$	0,0005	kW	To eller flere manuelle trin, ingen rumtemperaturstyring	Nej
				med mekanisk termostatbaseret rumtemperaturstyring	Nej
				med elektronisk rumtemperaturstyring	Nej
				elektronisk rumtemperaturstyring samt dagtimer	Nej
				elektronisk rumtemperaturstyring samt ugetimer	Ja
				Andre styringsmuligheder (flere valg muligt)	
				rumtemperaturstyring, med tilstedeværelsesregistrering	Nej
				rumtemperaturstyring, med registrering af åbent vindue	Ja
				med afstandsstyring (tilbehør)	Ja
				med adaptiv startstyring	Nej
				med begrænset driftstid	Nej
				med sort pære-sensor	Nej
Kontaktoplysninger	Power International AS, PO Box 523, N-1471 Lørenskog, Norway				

Modelidentifikation: POPANW2000					
Apparat	Symbol	Værdi	Enhed	Apparat	Enhed
Opvarmningseffekt				Type af varmeinput. Kun til elektriske rumopvarmere (vælg en)	
Nominel varmeeffekt	$P_{nom}$	2,0	kW	manuel indstilling af varmeafgivelse med indbygget termostat	Ikke relevant
Minimum varme	$P_{min}$	-	kW	manuel indstilling af varmeafgivelse med feedback fra rum og/eller udendørs temperatur	Ikke relevant
udgang (vejledende)	$P_{max,c}$	2,0	kW	elektronisk indstilling af varmeafgivelse med feedback fra rum og/eller udendørs temperatur	Ikke relevant
Supplerende elforbrug				blæserassisteret varmeeffekt	Ikke relevant
Ved nominel varmeeffekt	$e_{lmax}$	0,000	kW	Type af varmeeffekt/rumtemperaturstyring (vælg en)	
Ved minimum varmeeffekt	$e_{lmin}$	0,000	kW	enkelt-trins varmeeffekt uden rumtemperaturstyring	Nej
På standby	$e_{lsb}$	0,0005	kW	To eller flere manuelle trin, ingen rumtemperaturstyring	Nej
				med mekanisk termostatbaseret rumtemperaturstyring	Nej
				med elektronisk rumtemperaturstyring	Nej
				elektronisk rumtemperaturstyring samt dagtimer	Nej
				elektronisk rumtemperaturstyring samt ugetimer	Ja
				Andre styringsmuligheder (flere valg muligt)	
				rumtemperaturstyring, med tilstedeværelsesregistrering	Nej
				rumtemperaturstyring, med registrering af åbent vindue	Ja
				med afstandsstyring (tilbehør)	Ja
				med adaptiv startstyring	Nej
				med begrænset driftstid	Nej
				med sort pære-sensor	Nej
Kontaktoplysninger	Power International AS, PO Box 523, N-1471 Lørenskog, Norway				



■

Dette symbol på produktet eller i vejledningen betyder, at det udtjente elektriske eller elektroniske udstyr ikke må bortskaffes sammen med husholdningsaffald.

I EU-lande findes der separate genbrugsordninger.

Kontakt de lokale myndigheder eller forhandleren for yderligere oplysninger.

Power International AS,  
PO Box 523, N-1471 Lørenskog, Norway

Power Norge:  
<https://www.power.no/kundeservice/>  
T: 21 00 40 00

Expert Danmark:  
<https://www.expert.dk/kundeservice/>  
T: 70 70 17 07


Power Danmark:  
<https://www.power.dk/kundeservice/>  
T: 70 33 80 80

Punkt 1 Danmark:  
<https://www.punkt1.dk/kundeservice/>  
T: 70 70 17 07

Power Finland:  
<https://www.power.fi/tuki/asiakaspalvelu/>  
T: 0305 0305

Power Sverige:  
<https://www.power.se/kundservice/>  
T: 08 517 66 000

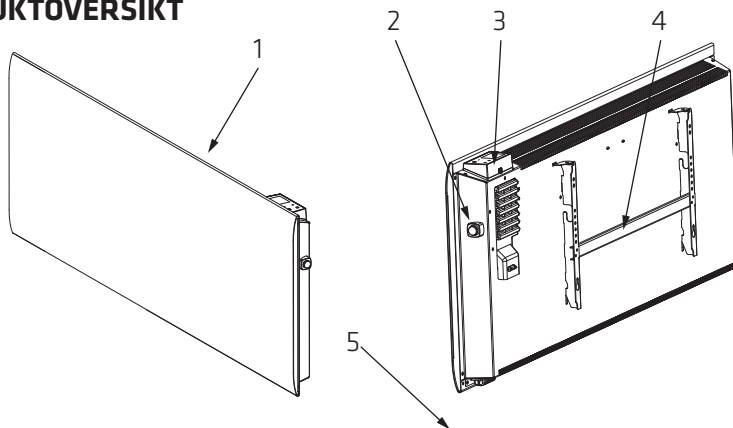
## SÄKERHETSINSTRUKTIONER

1.  Varning: För att undvika överhettning får värmaren inte täckas över.
2. Använd inte apparaten i områden där brandfarliga vätskor förvaras eller där brandfarliga ångor kan förekomma.
3. Denna apparat kan användas av barn från 8 år och äldre och personer med nedsatt fysisk, sensorisk eller mental förmåga eller bristande erfarenhet och kunskap om de övervakas eller instrueras i säker användning av apparaten och förstår de risker som är förknippade med den.
4. Rengöring och underhåll bör inte utföras av barn utan tillsyn.
5. Barn under 3 år bör hållas borta om de inte är under ständig uppsikt.
6. Barn i åldern 3-8 år får endast slå på/av apparaten under förutsättning att den har placerats eller installerats i det avsedda normala driftläget och att de övervakas eller instrueras om säker användning av apparaten och förstår riskerna. Barn i åldern 3-8 år får inte koppla in, reglera och rengöra apparaten eller utföra underhåll.
7. Barn bör hållas under uppsikt så att de inte leker med apparaten.
8. Använd inte apparaten om den har tappats.
9. Om nätkabeln är skadad så måste den ersättas av tillverkaren, dess servicerepresentant eller av motsvarande behörig person, för att undvika fara.
10. Använd inte apparaten om det finns synliga tecken på skador.

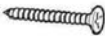



11. Se till att spänningen i strömförsörjningen stämmer överens med apparatens märkskylt.
12. Använd apparaten på en horisontell och stabil yta eller fäst den på väggen.
13. VARNING: Använd inte kaminen i små rum med många personer som inte kan lämna rummet på egen hand, om det inte finns ständig uppsikt.
14. VARNING: För att minska risken för brand bör du hålla textilier, gardiner eller annat brännbart material på minst 1 m avstånd från luftutloppet.
15. VARNING: Den här apparaten ska installeras så att värmarens botten är minst 50 mm över golvet.
16. Uttalande: Apparaten får inte placeras omedelbart under ett eluttag.
17. Stäng alltid av och dra ut kontakten när apparaten inte används.
18. Dra alltid ut apparatens kontakt och se till att enheten svalnat helt innan den flyttas, rengörs eller sätts i förvaring.
19. När du använder den här apparaten ska du ansluta den direkt till vägguttaget och inte via förlängningskablar eller andra adaptrar, eftersom detta kan orsaka överbelastning.
20. VARNING – Några delar på apparaten kan bli väldigt varma och orsaka brännskador. Var speciellt uppmärksam där barn och känsliga personer finns i närheten.

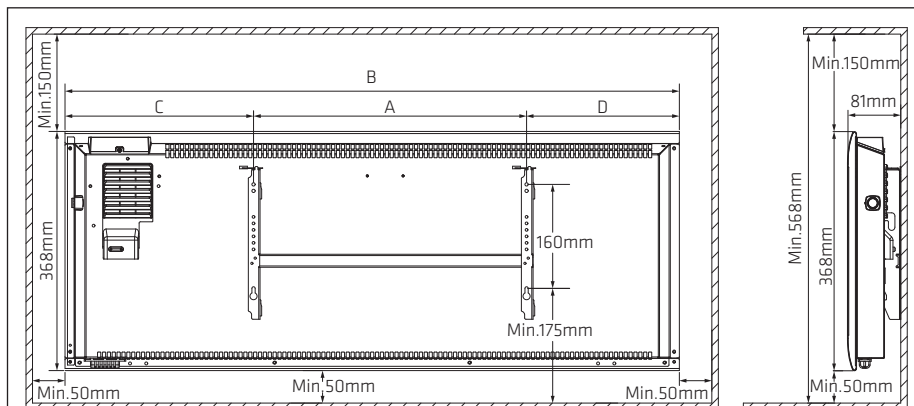
## PRODUKTÖVERSIKT



- 1. Huvuddel
- 2. Knapp
- 3. Kontrollpanel
- 4. Väggfäste
- 5. Sats för väggmontering

Beskrivning	Ritning	Antal
Skruv		4
Plastplugg		4

## INSTALLATION



Modellnr.	Watt	A	B	C	D
POPANW1500	1500W	420mm	945mm	290mm	235mm
POPANW2000	2000W	490mm	1155mm	360mm	305mm

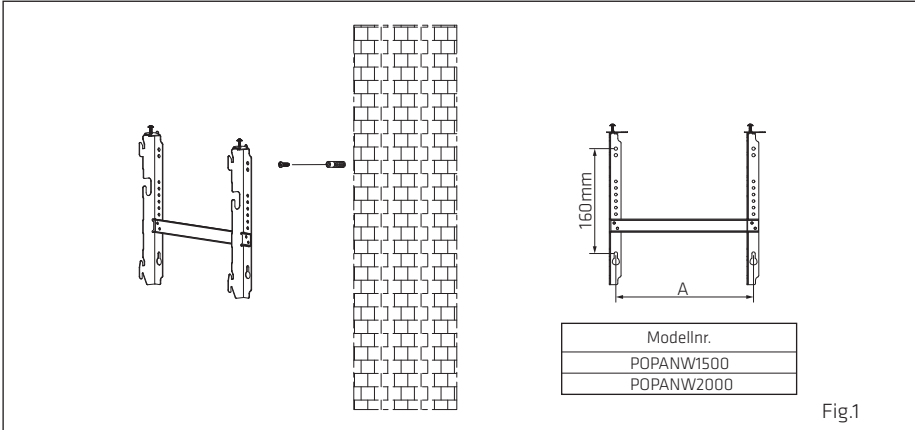


Fig.1

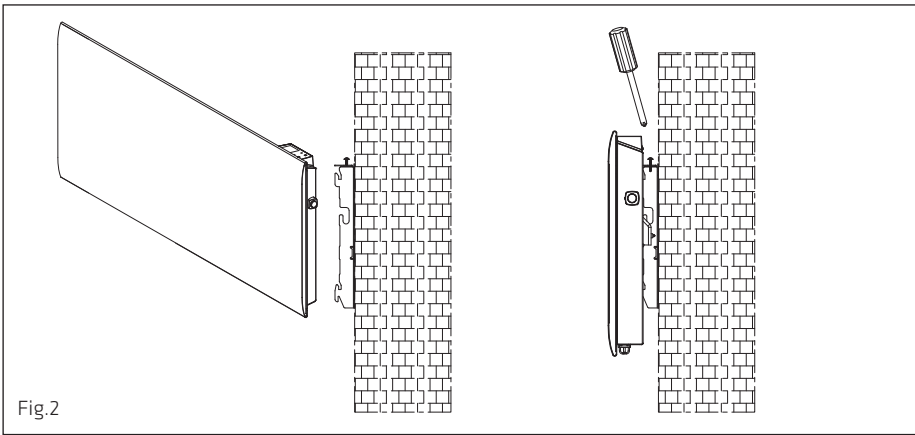


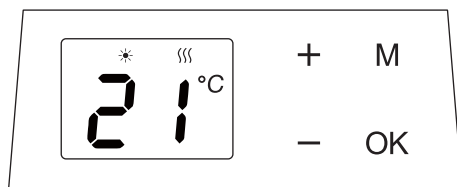
Fig.2

## För att hänga upp värmaren på väggen:

1. Välj en lämplig installationsplats för värmaren. Följ de minsta avstånden i alla riktningar (fig. 1). Demontera väggfästet genom att lossa skruven (skruva inte av, bara lossa) och dra ut metalldelarna ur hålet. Ta ut fästet genom att dra det nedåt.
2. Kontrollera att fästet är helt horisontellt med ett vattenpass och markera hålens placering på väggen. Borra hål i väggen för pluggarna med en lämplig borr. Sätt in pluggarna i hålen och skruva sedan fast väggfästet ordentligt på väggen (fig. 2).
3. Placera värmaren mot fästet. Fäst värmaren på de 2 nedåtriktade hakarna. Dra värmaren uppåt och håll den i de två nedre hakarna. Fäst värmaren på de 2 uppåtriktade hakarna. Dra ner värmaren. Skjut in de två metallbitarna ovanpå i hålet och fäst skruvarna för att låsa väggfästet (fig. 3).

## Användning

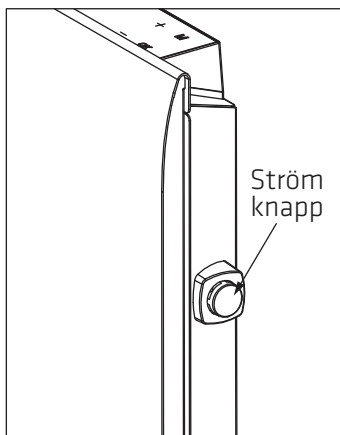
### KONTROLLPANEL



Pekikon	Funktion
+/-	ställ in temperaturen, från 5 °C till 35 °C, öka/minskas med 1 °C i varje steg.
OK	växlingslägen (Manuell, ECO, P1, P2, P3, P4, OF) eller bekräfta.
M	gå in i inställningsmenyn eller avbryta.

## ANVÄNDNING

1. Första gången du ansluter apparaten och trycker på strömbrytaren kommer apparaten att visa 21°C i manuellt läge som fabriksinställning. Genom att trycka på knappen slås enheten på eller av. Om knappen är i nedåtvänt läge är enheten på (1). Om knappen är i uppåtvänt läge är enheten avstängd (0).




När temperaturen i omgivningen är lägre än den inställda temperaturen börjar värmaren värma rummet, annars inte.

Värmeindikatorn  lyser endast när produkten värms upp.

Temperaturjustering:

Tryck på "+" eller "-" för att ställa in temperaturen. Min. inställning är 5 °C, max. är 35 °C. Om du håller ned "+" eller "-" går justeringen snabbare.

2. Vid ett strömavbrott kommer värmaren att fortsätta att fungera i samma läge och med samma inställda temperatur när strömmen återupptas.
3. Tryck kort på OK för att växla mellan följande lägen: manuellt (  ), ECO, P1, P2, P3, P4, (Efter att ha blinkat i 5 sekunder visas den inställda temperaturen på displayen), OF.

Manuellt: På displayen visas NA, tryck på "+" eller "-" för att välja temperatur manuellt.

ECO-läge: På displayen visas EC, tryck på "+" eller "-" för att välja temperatur manuellt.

P1-P4-läge: Standardprogrammen är följande. Bland dem är P1 till P3 fasta förinställda program medan P4 är ett fritt veckoprogram som är personligt anpassat.

OF läge: På displayen visas OF. I detta läge värms inte apparaten upp men klockinställningarna bibehålls.

Veckolägen	P1 (5-2)	Måndag-fredag				Lördag-söndag	
	P2 (6-1)	Måndag-lördag				Söndag	
	P3 (7-0)	Måndag-söndag					
	P4 (0-7)	Måndag-söndag					
Inställning av tid och program	Händelse	4 uppvärmningscykler				2 opvarmningsforløb	
	Tidsperiod	Komfort	Eco	Komfort	Eco	Komfort	Eco
	Tid	6:00-9:00	9:00-16:00	16:00-23:00	23:00-6:00	7:00-23:00	23:00-7:00
	fabriksinställning	21°C	17°C	21°C	17°C	P1/P2/P3:21°C P4:Följ temperaturinställningen i manuellt läge	P1/P2/P3:17°C P4:Följ temperaturinställningen i ECO läge

- Tryck kort på eller fortsatt att trycka på ikonen "+" / "-" för att ändra den inställda temperaturen. Tryck kort på "+" / "-" för att justera temperaturen, 1 °C i varje steg, temperaturområdet är från 5 °C till 35 °C. Håll "+" / "-" intryckt för att snabbt öka/minska temperaturen.
- Inställningsmeny  
Tryck kort på "M"-ikonen för att komma in i eller lämna inställningsmenyn. Inställningsmenyn kan användas för att visa apparatens funktionslista:  
td: tidsinställning  
Pr: P4 (fritt och personligt anpassat veckoprogram)  
C: temperaturkalibrering  
LI: justering av skärmens ljusstyrka  
AS: adaptiv startfunktion

Tryck på "+" eller "-" för att välja mellan td (tidsinställning), Pr (P4 fritt veckoprogram), C (temperaturkalibrering), LI (justering av skärmens ljusstyrka), AS (Adaptiv startfunktion).

Den valda ikonen blinkar.

### Tidsinställning:

Tryck på "M" för att välja "td" och tryck kort på "OK" för att komma in i tidsinställningsläget.

Tryck på "+" / "-" för att ställa in veckodagen (välj mellan d1 till d7). Tryck sedan på "OK" för att spara och ange timinställningen.

Tryck på "+" / "-" för att ställa in timma (välj mellan 0 och 23). Tryck sedan på "OK" för att spara och ange minutinställningen.

Tryck på "+" / "-" för att ställa in minut (välj mellan 00 och 59). Tryck sedan

på "OK" för att spara och gå tillbaka till föregående driftläge och temperatur.

## **P4 fritt och personligt anpassat veckoprogram**

Tryck kort på "M" för att välja Pr. Tryck kort på "OK" för att komma till inställningen av Pr (P4) fritt veckoprogram (det ändringsbara programmet är P4 som standard).

Du kan välja 2 inställda temperaturpunkter för varje timme av dygnets 24 timmar och varje veckodag: KOMFORT (☀) och ECO (★).

KOMFORT (☀) är det inställda temperaturvärdet; temperaturvärdet för ECO (★) är 4 °C lägre än det inställda temperaturvärdet.

Standarddagen är d1. Du kan trycka på "+" / "-" för att välja mellan

d1/d2/d3/d4/d5/d6/d7 (d1-måndag, d2-tisdag, d3-onsdag, d4-torsdag, d5-fredag, d6-lördag, d7-söndag). Tryck på "OK" för att bekräfta dagen.

På displayen visas 0 för den första timmen (0:00-0:59). Tryck kort på "+" för att välja Comfort (☀), "-" för att välja ECO (★) eller "OK" för att behålla den tidigare inställningen. När du har valt arbetsläge för den första timmen tryck på "OK" för att välja arbetsläge för den andra timmen och gå in i nästa timinställning. Upprepa ovanstående tills du väljer arbetsläge för den 24:e timmen (23 visas på skärmen). Värmaren återgår då automatiskt till det inställningen av veckodag.

När du är klar med inställningen av veckodag trycker du på "OK" för att bekräfta och upprepar samma åtgärd för resten av dagarna.

När du har avslutat inställningen av P4 blinkar displayen i 30 sekunder och går sedan tillbaka till inställningsmenyn och displayen visar "Pr". "Pr" blinkar sedan i 10 sekunder och displayen återgår sedan till inställningen av driftläge. Om du vill kontrollera hela programmet i P4 håller du "+" och "-" intryckta i 5 sekunder när displayen visar "Pr". På skärmen visas hela programmet timme för timme för varje veckodag.

## **Inställning av temperaturkalibrering :**

Tryck kort på "M" för att välja "C". Tryck kort på "OK" för att komma in i inställningen för kalibrering av C-temperatur.

"0" visas på displayen som standard. Tryck på "+" / "-" för att ställa in kompenstationstemperaturen inom ±5 °C.

Exempel: temperaturinställningen på din värmare är 24 °C. Värmaren slutar att värma trots att termometern visar att temperaturen bara är 22 °C. I det här fallet väljer du kalibreringsvärdet -2 °C.

## Justering av skärmens ljusstyrka:

Tryck kort på "M" för att välja LI. Tryck på "OK" för att komma till inställningen LI-skärmens ljusstyrka. Du kan justera skärmens ljusstyrka. Standardvärdet är 3.

Tryck på "+" / "-" för att välja mellan nivå 1 till 5. Nivå 1 är den mörkaste och nivå 5 den ljusaste.


## Adaptiv startfunktion:



Tryck kort på "M" för att välja AS. Tryck på "OK" för att komma till inställningen av adaptiv start. Skärmen kommer att visa "on" eller "oF". Tryck på "+" eller "-" för att ändra valet. När "on" väljs aktiveras den adaptiva startfunktionen. När "oF" väljs är funktionen inaktiverad. Standardinställningen är "oF".

Denna funktion mäter rummets termiska tröghet och slår på värmarna i förväg för att se till att "komforttemperaturen" uppnås vid den inställda tiden. Denna funktion kan slå på apparaten för uppvärmning högst 2 timmar i förväg.

Anmärkningar: Den här funktionen gäller endast för P1-, P2- och P3-programmen.

## Fönsterdetektorfunktion

Tryck på "+" och "OK" i 5 sekunder för att komma in i inställningen för fönsterdetektorn och "  " blinkar. På displayen visas "on" eller "oF". Tryck på "+" eller "-" för att välja. Om "on" väljs aktiveras fönsterdetektorfunktionen. När "oF" väljs, inaktiveras fönsterdetektorfunktionen. Tryck på "OK" för att spara. Efter 5 sekunder utan användning sparar värmaren automatiskt inställningen och återgår till det tidigare driftläget. Fabriksinställningen är som standard avstängd.

När "on" har valts visas ikonen "  " på skärmen. När en temperatursänkning upptäcks går apparaten in i frysskyddsläge (på skärmen visas 7 °C och "  " blinkar). När en temperaturökning upptäcks återgår den till det tidigare driftläget. Du kan trycka på vilken knapp som helst för att återgå till föregående driftläge.

## Barnlås:

Tryck på "M" och "-" i 5 sekunder tills skärmen visar "CC". Barnlåset är nu aktiverat. Upprepa samma åtgärd för att inaktivera barnlåsfunktionen.



När barnlåset är aktiverat blinkar "CC" tre gånger och återgår till temperaturvisningen. Tryck på någon ikon på kontrollpanelen, skärmen visar "CC" 3 gånger och återgår till temperaturvisningen. Barnlåset förblir aktivt när du återupptar driften efter ett strömavbrott.

### **Automatisk avstängning av display**

Aktivera: Tryck på "-" och "OK" i 5 sekunder. Skärmen blinkar 3 gånger och aktiverar funktionen Automatisk avstängning av display. Displayen stängs av om det inte sker någon åtgärd inom 30 sekunder. Tryck på någon ikon för att tända displayen igen.

Inaktivera: Upprepa samma procedur för att inaktivera funktionen.

När funktionen Automatisk avstängning av display är aktiverad trycker du på och håller in "OK" och "-" samtidigt i över 5 sekunder, under processen blinkar alla ikoner på displayen långsamt tills alla ikoner på displayen slocknar och läget Automatisk avstängning av display kommer att inaktiveras.

### **Minnesfunktion**

Efter att strömmen har slagits av, memorerar värmaren den inställda arbetstemperaturen före strömavbrottet och fortsätter att fungera efter att strömmen återupptagits. I händelse av strömavbrott håller värmaren den interna klockan igång i 24 timmar. Om strömmen är bortkopplad i mer än 24 timmar och slås på igen, kommer värmaren att återgå till den senast använda temperaturen och den interna klockan återgår till standardtiden och börja fungera igen. Skärmen blinkar och visar att det har varit ett strömavbrott. Det blinkande läget fortsätter tills du trycker på någon knapp för att avbryta blinkandet.

### **Ikon för uppvärmning**


1. När det upptäcks att omgivningstemperaturen är lägre än den inställda temperaturen och värmaren måste börja arbeta, tänds ikonen för uppvärmning. Om omgivningstemperaturen upptäcks vara högre än den inställda temperaturen, släcks värmeikonen.

2. I standby-läge visas inte värmesymbolen.

### **Återställ**

Tryck och håll in "+" och "M" samtidigt i mer än 5 sekunder. På skärmen visas "rE". Inställningstemperaturen återgår till fabriksinställningen 21 °C.

### **WiFi-anslutning**

Sätt i nätkontakten och slå på strömbrytaren. Välj läget "OF" genom att trycka på knappen "OK" tills symbolen "OF" visas. Fortsätt att trycka på "OK" i mer än 5 sekunder och ikonen "  " blinkar. Se "Wi-Fi-guide" för ytterligare instruktioner.

## Felsökning

Om produkten inte fungerar som den ska, kontrollera först följande lista. Om orsaken till felet inte finns med i följande lista kan produkten ha gått sönder. Då rekommenderas att du skickar produkten till återförsäljaren eller låter reparera den.

Problem	Möjlig orsak	Lösning
Nätkontakten är inkopplad men apparaten fungerar inte.	Kontakten är kanske inte rätt isatt i vägguttaget.	Kontrollera om kontakten är rätt isatt i vägguttaget.
Värmaren stoppar plötsligt under uppvärmning	Temperaturen överskrider gränsen för termosäkring.	Systemet stänger automatiskt av strömmen.

## RENGÖRING OCH FÖRVARING

Vi rekommenderar att värmaren rengörs minst en gång under användningssäsongen för att prestera optimalt.

STÄNG ALLTID AV STRÖMMEN OCH DRA UT KONTAKTEN INNAN VÄRMAREN RENGÖRS.

Spara förpackningen för att förvara värmaren.

- Stäng "AV" värmaren, dra ut kontakten och vänta tills den svalnat.
- Använd en torr trasa för att rengöra värmarens utsida.
- Använd inte rengörings- eller tvättmedel.
- Doppa aldrig värmaren i vatten.
- Packa värmaren i originalförpackningen, och förvara på en sval och torr plats.

## Tekniske data

Frekvensområde: Wi-Fi 2,4 GHz (2,412-2,472 GHz). RF ledet strøm: 6,5 dBm

Ref nr.	3200233	3200234
Modellnr.	POPANW1500	POPANW2000
Märkspänning	220-240V~ 50-60Hz	220-240V~ 50-60Hz
Märkeffekt	1500W	2000W
Märkeffekt	II	II
IPklassning	IP24	IP24

Modellidentifierare: POPANW1500					
Artikel	Symbol	Värde	Enhet	Artikel	Enhet
Värmeut effekt				Typ av ineffekt för värme, för elektrisk värmelagrande rumselement enbart (välj en)	
Nominell värmeut effekt	$P_{nom}$	1,5	kW	manuell värmeladdningskontroll med inbyggd termostat	I/T
Lägsta värme	$P_{min}$	-	kW	manuell värmeladdningskontroll med feedback för rums- och/eller utomhustemperatur	I/T
utmatning (vägledande)	$P_{max,c}$	1,5	kW	elektrisk värmeladdningskontroll med feedback för rums- och/eller utomhustemperatur	I/T
Förbrukning av tillsatsel				fläktassisterad värmeut effekt	I/T
Vid nominell värmeut effekt	$e_{lmax}$	0,000	kW	Typ av värmeut effekt/rumstemperaturkontroll (välj en)	
Vid minimal värmeut effekt	$e_{lmin}$	0,000	kW	värmeut effekt i ett steg och ingen kontroll av rumstemperatur	Nej
I pausläge	$e_{lsb}$	0,0005	kW	Två eller flera manuella steg, ingen rumstemperaturkontroll	Nej
				med mekanisk termostatkontroll av rumstemperatur	Nej
				med elektrisk rumstemperaturkontroll	Nej
				elektrisk rumstemperaturkontroll plus tidsinställning för dygn	Nej
				elektrisk rumstemperaturkontroll plus tidsinställning för vecka	Ja
				Andra kontrollalternativ (flera möjliga val)	
				rumstemperaturkontroll, med närvaroidentifiering	Nej
				rumstemperaturkontroll, med identifiering av öppet fönster	Ja
				med avståndskontroll	Ja
				med anpassbar startkontroll	Nej
				med driftstidsbegränsning	Nej
				med svartkuletermometer	Nej
Kontaktuppgifter	Power International AS, PO Box 523, N-1471 Lørenskog, Norway				

Modellidentifierare: POPANW2000					
Artikel	Symbol	Värde	Enhet	Artikel	Enhet
Värmeut effekt				Typ av ineffekt för värme, för elektrisk värmelagrande rumselement enbart (välj en)	
Nominell värmeut effekt	$P_{nom}$	2,0	kW	manuell värmeladdningskontroll med inbyggd termostat	I/T
Lägsta värme	$P_{min}$	-	kW	manuell värmeladdningskontroll med feedback för rums- och/eller utomhustemperatur	I/T
utmatning (vägledande)	$P_{max,c}$	2,0	kW	elektrisk värmeladdningskontroll med feedback för rums- och/eller utomhustemperatur	I/T
Förbrukning av tillsatsel				fläktassisterad värmeut effekt	I/T
Vid nominell värmeut effekt	$e_{lmax}$	0,000	kW	Typ av värmeut effekt/rumstemperaturkontroll (välj en)	
Vid minimal värmeut effekt	$e_{lmin}$	0,000	kW	värmeut effekt i ett steg och ingen kontroll av rumstemperatur	Nej
I pausläge	$e_{lsb}$	0,0005	kW	Två eller flera manuella steg, ingen rumstemperaturkontroll	Nej
				med mekanisk termostatkontroll av rumstemperatur	Nej
				med elektrisk rumstemperaturkontroll	Nej
				elektrisk rumstemperaturkontroll plus tidsinställning för dygn	Nej
				elektrisk rumstemperaturkontroll plus tidsinställning för vecka	Ja
				Andra kontrollalternativ (flera möjliga val)	
				rumstemperaturkontroll, med närvaroidentifiering	Nej
				rumstemperaturkontroll, med identifiering av öppet fönster	Ja
				med avståndskontroll	Ja
				med anpassbar startkontroll	Nej
				med driftstidsbegränsning	Nej
				med svartkuletermometer	Nej
Kontaktuppgifter	Power International AS, PO Box 523, N-1471 Lørenskog, Norway				



Denna symbol på produkten eller i instruktionerna betyder att dina elektriska och elektroniska apparater ska källsorteras när de är förbrukade och att de inte får slängas i hushållssoporna.

Det finns särskilda insamlingssystem för återvinning inom EU.

För ytterligare information, kontakta din kommun eller din återförsäljare där du köpte produkten.

Power International AS,  
PO Box 523, N-1471 Lørenskog, Norway

Power Norge:  
<https://www.power.no/kundeservice/>  
T: 21 00 40 00

Expert Danmark:  
<https://www.expert.dk/kundeservice/>  
T: 70 70 17 07

Power Danmark:  
<https://www.power.dk/kundeservice/>  
T: 70 33 80 80

Punkt 1 Danmark:  
<https://www.punkt1.dk/kundeservice/>  
T: 70 70 17 07

Power Finland:  
<https://www.power.fi/tuki/asiakaspalvelu/>  
T: 0305 0305

Power Sverige:  
<https://www.power.se/kundservice/>  
T: 08 517 66 000



