

point

Washing Machine

10kg

POWM510MKA

User Manual

LIFE MADE EASIER

GB

Thank you for purchasing your new POINT WASHING MACHINE. These operating instructions will help you use it properly and safely. We recommend that you spend some time reading this instruction manual in order that you fully understand all the operational features it offers. Read all the safety instructions carefully before use and keep this instruction manual for future reference.

NO

Takk for at du kjøpte din nye POINT VASKEMASKIN. Denne bruksanvisningen vil hjelpe deg med å bruke den på en trygg og riktig måte. Vi anbefaler at du tar deg tid til å lese gjennom hele bruksanvisningen for å bli fortrolig med alle funksjonene som tilbys. Les alle sikkerhetsanvisningene nøye før bruk, og oppbevar bruksanvisningen for fremtidig referanse.

FI

Kiitos, kun valitsit uuden POINT-PESUKONEEN. Nämä käyttöohjeet opastavat sinua käyttämään laitetta oikein ja turvallisesti. Suosittelemme, että käytät hieman aikaa tämän käyttöoppaan lukemiseen, jotta ymmärrät täysin, mitä toimintoja laitteessa on. Lue kaikki turvallisuusohjeet huolellisesti ennen laitteen käyttöä ja säilytä käyttöopas myöhempää tarvetta varten.

DK

Tak for købet af din nye VASKEMASKINE FRA POINT. Disse brugervejledninger hjælper dig med at bruge dette apparat rigtigt og sikkert. Vi anbefaler, at du læser denne brugervejledning, så du får en fuld forståelse af hvordan alle funktionerne virker. Læs sikkerhedsforskrifterne grundigt inden brug, og gem denne brugervejledning til senere brug.

SE

Tack för att du har köpt din nya POINT tvättmaskin. Denna bruksanvisning hjälper dig att använda den på ett säkert och korrekt sätt. Vi rekommenderar att du tar dig tid att läsa igenom denna bruksanvisning för att till fullo förstå alla driftfunktioner som den erbjuder. Läs noga igenom alla säkerhetsinstruktioner före användning och spara bruksanvisningen för framtida bruk.

Instruction manual - english	page	4	-	49
Bruksanvisning - norsk	side	50	-	95
Käyttöohjeet - suomi	sivu	96	-	141
Brugsanvisning - dansk	side	142	-	187
Bruksanvisning - svenska	side	188	-	233

GB

NO

FI

DK

SE

SAFETY INFORMATION

1. The manufacturer reserves the right to make any modifications to the product which might be deemed necessary or useful without informing about it in this manual.
2. Before operating your new washing machine, please read this instruction manual carefully, and keep it for future reference. If you lose it accidentally, ask customer service for an e-copy.
3. Please make sure the socket is grounded securely, and the water source connection is reliable.
4. This appliance is not to be used by persons (including children) with reduced physical, sensory, or mental capabilities, or lack of experience and knowledge, unless they are supervised or instructed concerning the use of the appliance by a person responsible for their safety.
5. This appliance can be used by children aged 8 years and above as well as persons with reduced physical, sensory, or mental capabilities, or lack of experience and knowledge if they are supervised or instructed on safe use of the appliance and understand the risks involved. Children should not play with the appliance. Cleaning and user maintenance should not be carried out by children without supervision.
6. Children should be supervised to ensure that they do not play with the appliance.
7. If the supply cord is damaged, it must be replaced by the manufacturer, their service agent, or similarly qualified persons in order to avoid accidents.
8. The new hose sets supplied with the appliance should be used and old ones should not be reused.
9. If the appliance has ventilation openings in the base, a carpet should not obstruct the openings.

10. Children younger than 3 years should be kept away unless continuously supervised.
11. The maximum permissible inlet water pressure, 1 MPa, is for appliances intended to be connected to the water mains. The minimum permissible inlet water pressure is 0.1 MPa if this is necessary for the correct operation of the appliance.
12. The maximum washing capacity is 10 kg.
13. For private domestic use only.
14. This appliance is intended to be used in households and similar applications such as:
 - Staff kitchen areas in shops, offices, and other working environments;
 - farm houses;
 - by clients in hotels, motels, and other residential type environments;
 - bed and breakfast type environments;
 - areas for communal use in blocks of flats or in launderettes.

BEFORE USING THE WASHING MACHINE

1. Remove the packaging and inspect
 - After unpacking, ensure that the washing machine is undamaged. If in doubt, do not use the washing machine. Contact the After-Sales Service or your local retailer.
 - Check that the accessories and supplied parts are all included.
 - Keep the packaging materials (plastic bags, polystyrene parts, etc.) out of reach of children, as they are potentially dangerous.
2. Remove the transportation bolts
 - The washing machine is fitted with transportation bolts to avoid any possible damage to the interior during transportation. Before using the machine, it is imperative that the transportation bolts are removed.
 - After their removal, cover the openings with the 4 enclosed plastic caps.
3. Install the washing machine
 - Install the appliance on a solid and level floor surface, preferably in a corner of the room.
 - Ensure that all four feet are stable and resting on the floor and then check that the washing machine is perfectly level (use a spirit level).
 - Ensure that the ventilation openings in the base of the washing machine (if available on your model) are not obstructed by a carpet or other material.
4. Water inlet
 - Connect the water supply inlet hose in accordance with the regulations of your local water company.
 - Water Inlet- Depending on models
 - Single Inlet - Cold water only
 - Dual Inlet - Hot and cold water
 - Water Tap 3/4 threaded hose connector

5. Drain


- Connect the drain hose to the water lock or hook it over the edge of the sink using the supplied "U" bend.
- If the washing machine is connected to an integrated drainage system, ensure that the latter is equipped with a vent to avoid water from being taken in and drained out simultaneously (siphoning effect).
- Fix the drain hose securely to prevent scalding during machine drainage.

6. Electrical connection

- Electrical connections must be carried out by a qualified technician in compliance with the manufacturer's instructions and current standard safety regulations.
- Data regarding voltage, power consumption, and protection requirements is given on the front wall of the door opening.
- The appliance must be connected to the mains by means of a socket that is grounded in accordance with current regulations. The machine must be grounded by law. The manufacturer assumes no responsibility for damage caused to property or injury to persons or animals due to non-compliance with the directions given above.
- Do not use extension leads or extension sockets. Make sure the capacity of the socket is powerful enough to run the machine during heating.
- Before any maintenance on the washing machine, disconnect it from the mains supply.
- After installation, ensure you can always disconnect the appliance from the mains supply, either by accessing the mains plug or using a double-pole switch.
- Do not operate the washing machine if it has been damaged during transport. Inform After-Sales Service.
- Mains cable replacement is only to be carried out by After-Sales Service.
- The appliance must only be used in the household for its intended purpose.

PRECAUTIONS AND GENERAL RECOMMENDATIONS

1. Packaging

- The packaging material is entirely recyclable, and marked with the recycling symbol . Adhere to current local regulations when disposing of packaging material.

2. Disposing of Packaging and Scrapping Old Washing Machines

- The washing machine is built from reusable materials. It must be disposed of in compliance with current local waste disposal regulations.
- Before scrapping, remove all detergent residue, break the door hook, and cut off the power cable so that the washing machine is made unusable.
- This appliance is marked according to the European directive on Waste from



Electrical and Electronic Equipment (WEEE). By ensuring that this product is disposed of correctly, you will help prevent potential negative consequences for the environment and human health, which could otherwise be caused by inappropriate waste handling of this product. The

symbol on the product, or on the documents accompanying the product, indicates that this appliance may not be treated as household waste. Instead, it should be handed over to the applicable collection point for the recycling of electrical and electronic equipment. Disposal must be carried out in accordance with local environmental regulations for waste disposal. For more detailed information about treatment, recovery, and recycling of this product, please contact your local city office, your household waste disposal service, or the shop where you purchased the product.

3. Location and Surroundings

- Do not store flammable fluids near the appliance.

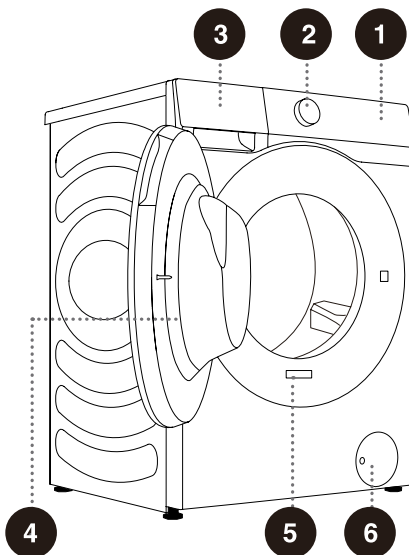
4. Safety

- Do not leave the appliance plugged in when not in use. Never plug or unplug the power from the mains supply if your hands are wet.
- Turn off the tap.
- Before any cleaning and maintenance, switch off the machine or disconnect it from the mains.
- Clean the outside of the washing machine with a damp cloth. Do not use abrasive detergents.
- Never open the door forcibly or use it as a step.

DESCRIPTION OF THE WASHING MACHINE

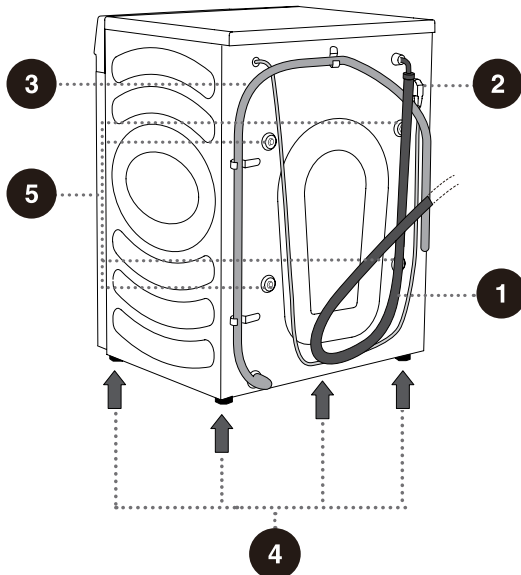
FRONT


- 1 Control unit
- 2 Programme selector knob
- 3 Detergent compartment
- 4 Door
- 5 Rating plate
- 6 Pump filter cover



BACK

- 1 Water supply hose
- 2 Power cord
- 3 Water discharge hose
- 4 Adjustable feet
- 5 Blocking rods/screws



 The illustrations in this manual are for reference purpose only. As our products are subject to continual improvement, the appearance, color and functional parts of your actual product may vary from the illustrations.

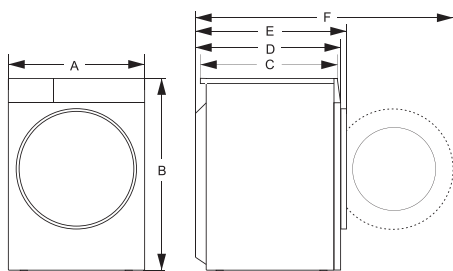
TECHNICAL SPECIFICATIONS

(DEPENDING ON THE MODEL)

Rating plate with basic information about the washing machine is fitted on the front wall of the washing machine door opening (see chapter »WASHING MACHINE DESCRIPTION«).

Maximum load	10 kg
Water Pressure	0.1-1MPa
Rated Voltage	220-240V~
Rated power	1750W
Frequency	50Hz
Grade Of Waterproof	IPX4

Dimensions(mm)



Index	Dimension(mm)
A	595
B	845
C	560
D	590
E	620
F	1100

INSTALLATION AND CONNECTION

⚠ Remove all packaging. When removing the packaging, make sure not to damage the appliance with a sharp object. Keep the packaging material (plastic bags, other plastic parts etc.) out of reach of children.

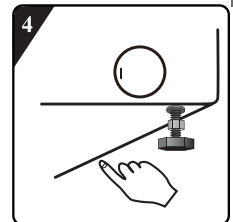
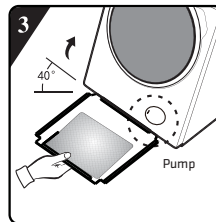
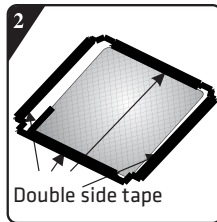
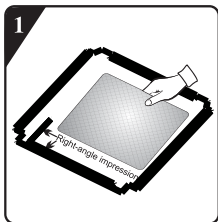
Check for any damage on the appliance. If you suspect the appliance is damaged, do not use it and immediately contact the service unit.

The appliance is supplied with a support set that includes:

- Instructions for use;
- 4 plastic plugs;
- Supply hose;
- Drain hose holder;
- Wrench;
- Noise reduction board.

Make sure all of the above is supplied.

HOW TO INSTALL THE NOISE REDUCTION BOARD



1 Before installing the noise reduction board, align and paste the acoustic absorption wool with and along the right-angle impression on the noise reduction board (this procedure is unnecessary for some of the models without acoustic absorption wool).

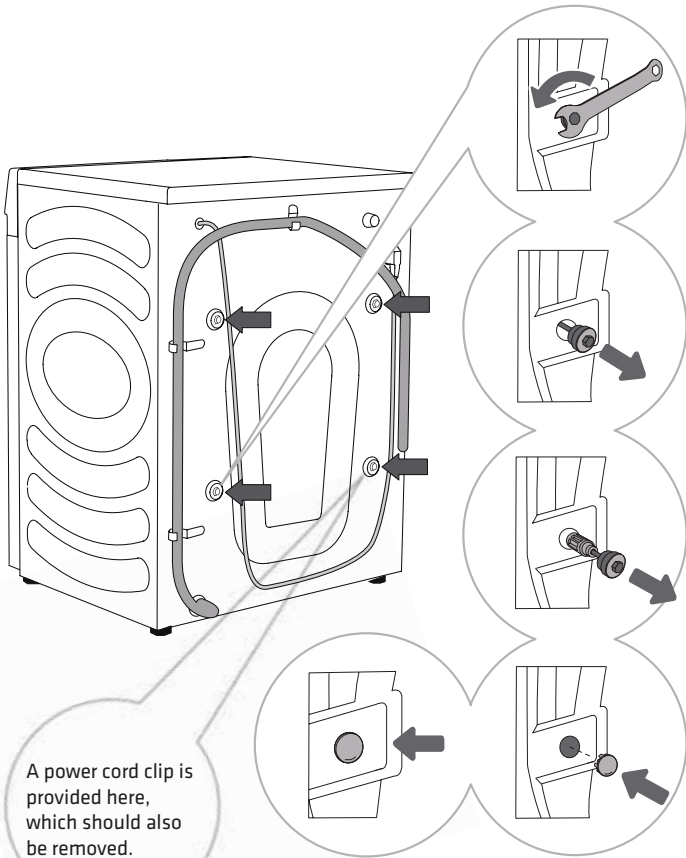
3 Incline the machine to an angle of 40° and let the side with right-angle notch face towards front of the appliance, as shown in the figure. Insert the side with oblique-angle notch between two foot screws at back of the appliance completely in place. Then, install the noise reduction board and ensure that it contacts with bottom of the appliance closely.

2 Remove surface paper on double sided tape at four sides of the bottom plate.

4 Press the double sided tape on four sides manually to secure the noise reduction board to the machine body firmly.

REMOVING THE BLOCKING SCREWS/RODS

⚠ Before the first use of the appliance, transport screws/rods must be removed. A blocked appliance may be damaged when it is switched on for the first time. Warranty shall be void in cases of such damage.



1 Move aside the hoses and use a fitting spanner to undo the 4 screws on the back of the appliance by turning them counter clockwise, as indicated by the arrow. Undo them by approximately 30 mm.

2 Pull all 4 transport screws/rods horizontally.

3 Pull out the transport screws/rods complete with the rubber and the plastic part.

4 Cover the four holes through which the blocking screws/rods were inserted with plastic plugs. The plastic plugs are supplied in the bag with the washing machine instruction manual (the support set).

A power cord clip is provided here, which should also be removed.

💡 Save the transport screws/rods in case you have to transport the appliance again later (to reinstall the blocking screws/rods, follow the above procedure in reverse order).

MOVING AND TRANSPORT AFTER INSTALLATION

⚠ If you wish to move the washing machine after it has been installed, the blocking screws/rods have to be re-installed to prevent vibration damage to the washing machine during transport (see chapter» INSTALLATION AND CONNECTION/Removing the blocking screws/rods«). If you lost the blocking screws/rods, they can be ordered from the manufacturer.

Pack all the packaging material (plastic bags, other plastic parts etc.).

⚠ After transport, the washing machine should be left to stand still for at least two hours before it is connected to the power mains, so that it can reach room temperature. The appliance should be installed and connected by a trained technician.

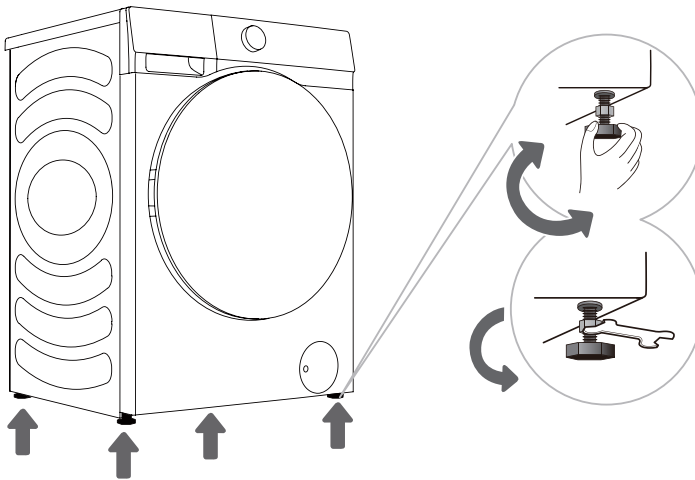
⚠ Carefully read the instructions for use before connecting the washing machine. Repair or any warranty claim resulting from incorrect connection or use of the washing machine shall not be covered by the warranty.

SELECTING THE ROOM

⚠ The washing machine must stand level and stable on a solid ground. Ground on which the washing machine is placed must have a concrete base. It should be clean and dry; otherwise, the washing machine may slide. Also, clean the bottom surface of adjustable feet.

ADJUSTING THE WASHING MACHINE FEET

Use a spirit level and the supplied spanner.



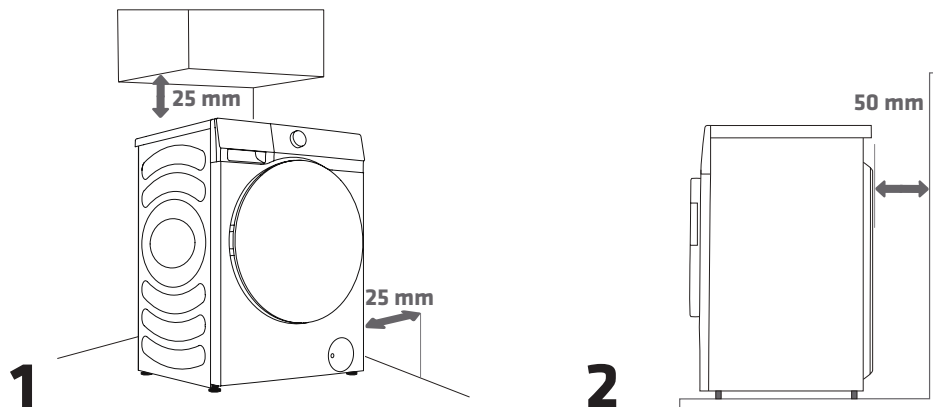
1 Rotate the adjustable feet to level the washing machine lengthwise and crosswise. The feet allow levelling by +/- 2 cm.

2 After adjusting the height of the feet, firmly tighten the jam nuts (counter nuts) using the supplied spanner by turning them towards the bottom of the washing machine (see figure).

⚠ Incorrect levelling of the washing machine with the adjustable legs may cause vibration, appliance sliding across the room, and loud operation. Incorrect levelling of the washing machine is not subject to warranty.

⚠ Sometimes, unusual or louder noise may appear during appliance operation; these are mostly the result of improper installation.

Washing machine installation clearances



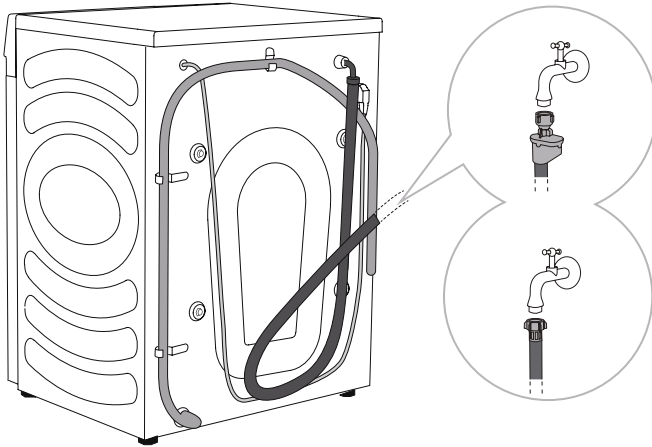
⚠ The washing machine may not be in contact with a wall or adjacent furniture. For optimum washing machine operation, we recommend observing the clearances from the walls as indicated in the figure.

In case of failure to observe the minimum required clearances, safe and correct washing machine operation cannot be ensured. Moreover, overheating can also occur (figures 1 and 2).

⚠ Installing the washing machine under a countertop is not recommended.

CONNECTING TO WATER SUPPLY

Attach the hose to the water tap by screwing it onto the thread.



A AQUA STOP

B REGULAR CONNECTION

⚠ For normal washing machine operation, the pressure in the water mains should be between 0.1-1 MPa (1-10 bar; 1-10 kp/cm²; 10-100 N/cm²). Minimum dynamic water pressure can be determined by measuring the water flow. In 15 seconds, 3 litres of water should flow from a fully open tap.

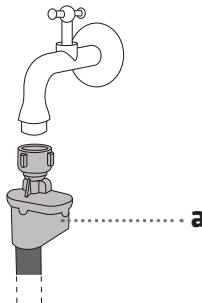
⚠ Tighten the water supply hose by hand, firmly enough for the hose to have a good seal (max. 2 Nm). After connecting the hose, the seal must be checked for any leaks. Do not use pliers or similar tools when connecting the hose as this could damage the nut thread.

⚠ Only use the water supply hose supplied with the appliance. Do not use any used or other hoses.

⚠ Make sure the hose is not damaged. If the hose is degraded, brittle, or cracked, it has to be replaced.

AQUA STOP (ONLY WITH SOME MODELS)

If an internal tube or hose is damaged, a shut-off system is activated that cuts the water supply to the washing machine. In such case, the control glass (a) will turn red. Replace the water supply hose.



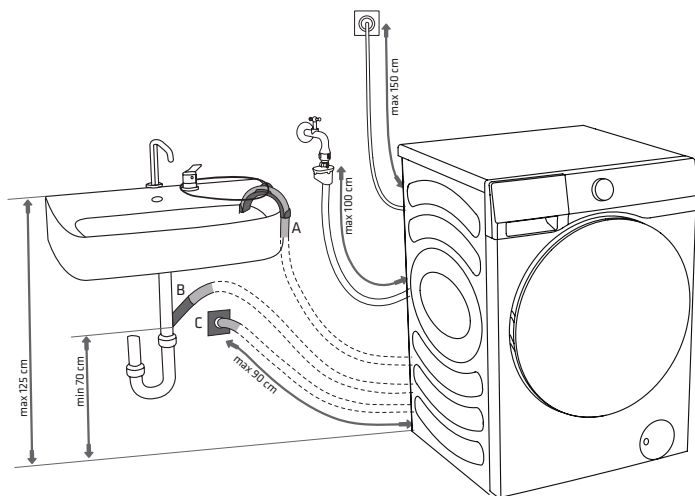
⚠ Do not dip the water supply hose with the Aqua stop system in water as it contains an electric valve.

⚠ The water supply hose can be connected without a non-return valve.

⚠ When connecting the water supply hose, make sure to connect it in a way that allows adequate and unobstructed water supply.

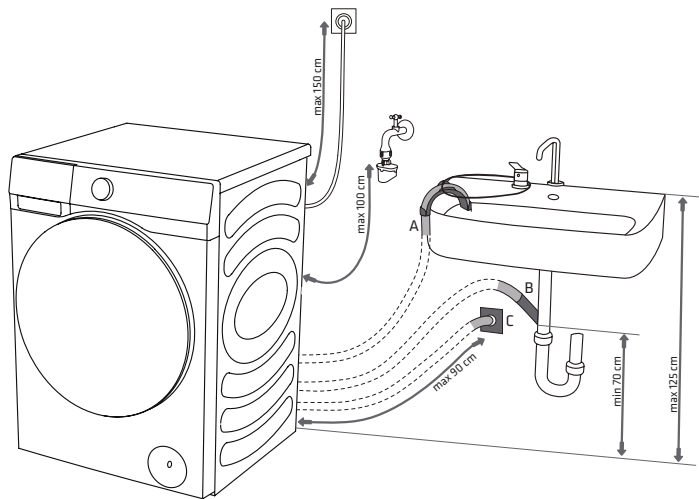
CONNECTING AND SECURING THE WATER DISCHARGE HOSE

Feed the water discharge hose into a washbasin or a bathtub, or connect it directly to a drain (discharge hose minimum diameter 4 cm). The vertical distance from the floor to the end of the discharge hose may be no more than 100 cm and no less than 60 cm. It can be attached in three ways (A, B, C).

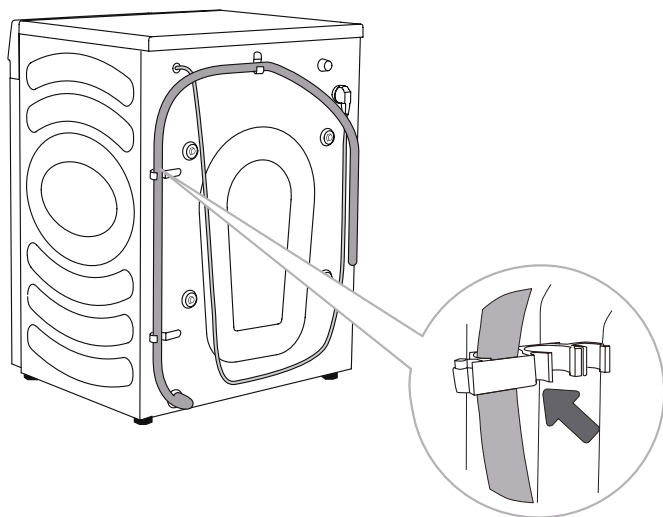


A Discharge hose end may be placed over a sink or a bathtub. Use a string fed through the opening in the elbow support to attach the hose and prevent it from slipping to the floor.

B Discharge hose may also be attached directly to the sink drain. A sink that is too small is not acceptable. Be careful as the drained water may be hot.



C Discharge hose can also be attached to a wall drain with a trap; such trap should be properly installed to allow cleaning.

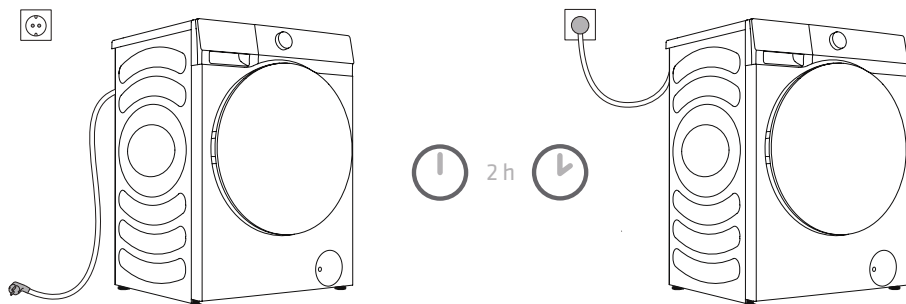


D The discharge hose has to be attached and affixed to the pin on the back of the washing machine, as shown in the figure.

⚠ Make sure the drain hose is not damaged.

⚠ If the discharge hose is not correctly attached, safe and correct washing machine operation cannot be ensured.

CONNECTING THE APPLIANCE TO THE POWER MAINS



⚠ Before connecting the washing machine to the power mains, wait for at least 2 hours until it reaches room temperature.

Connect the washing machine to a grounded power outlet. After installation, the wall outlet should be freely accessible. The outlet should be fitted with an earth contact (in compliance with the relevant regulations).

Information on your washing machine is indicated on the rating plate.

⚠ We recommend using over-voltage protection to protect the appliance in case of a lightning strike.

⚠ The washing machine may not be connected to the power mains using an extension cord.

⚡ Do not connect the washing machine to an electrical outlet intended for an electric shaver or hair dryer.

⚡ Do not plug or unplug the appliance when your hands are wet.

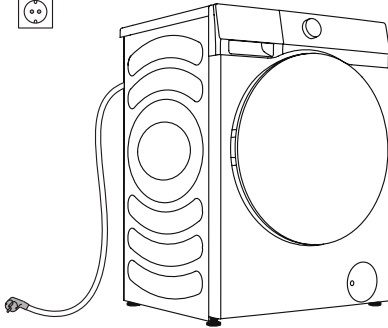
⚡ Any repair and maintenance pertaining to safety or performance should be done by trained experts.

⚡ A damaged power cord may only be replaced by a person authorized by the manufacturer.

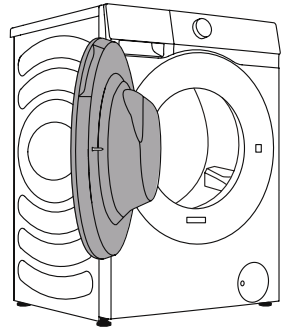
BEFORE USING THE APPLIANCE FOR THE FIRST TIME

Make sure the washing machine is disconnected from the power mains; then, open the door towards you (figures 1 and 2).

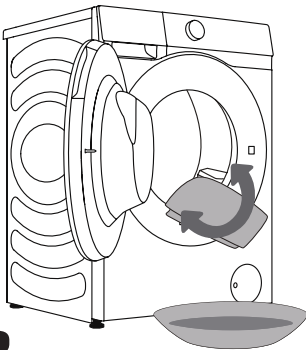
Before using the appliance for the first time, clean the drum using a soft and moist cotton cloth, or use the Drum Clean program. In such case, connect the appliance to the power mains and open the water tap. There should not be any laundry in the drum; the drum should be empty (Figures 3 and 4).



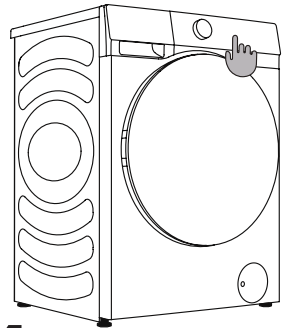
1



2



3


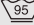
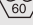

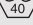























4

⚠ Do not use any solvents or cleaning agents that could damage the washing machine (please observe the recommendations and warnings provided by the cleaning agent manufacturers).

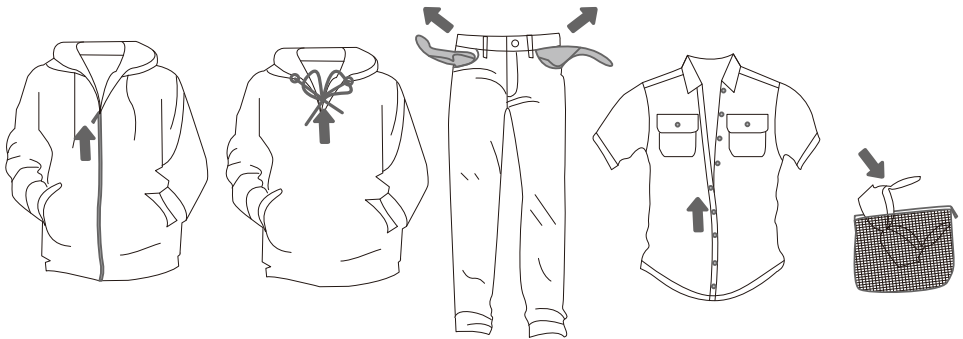
WASHING PROCESS, STEP BY STEP (1-6)

STEP 1: HEED THE LABELS ON THE LAUNDRY

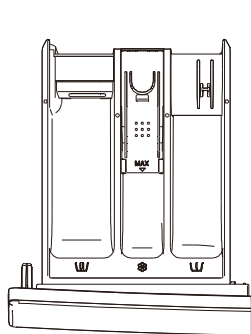
Normal wash; Sensitive laundry	Max. washing temp. 95°C  	Max. washing temp. 60°C  	Max. washing temp. 40°C  	Max. washing temp. 30°C  	Hand wash only 	Do not wash 
Bleaching	Bleaching in cool water 			Bleaching not allowed 		
Dry cleaning	Dry cleaning with all agents 	Petroleum solvent R11, R113 	Dry cleaning in kerosene, pure alcohol, and R113 	Dry cleaning not allowed 		
Ironing	Hot ironing, max. 200°C 	Hot ironing, max. 150°C 	Hot ironing, max. 110°C 	Ironing not allowed 		
Drying	Dry flat (place on a flat surface) 	Drip dry  Line dry 	High temperature  Low temperature 	Do not tumble dry 		

STEP 2: PREPARING THE WASHING PROCESS

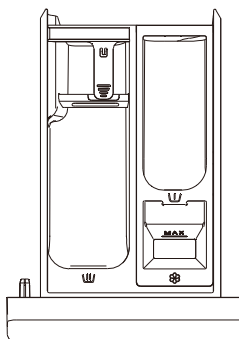
1. Sort the laundry by type of fabric, colour, soiling, appliance load, and allowed washing temperature (see PROGRAMME TABLE).
2. Close the buttons and zippers, tie any ribbons, and turn the pockets inside out; remove any metal clips that could damage the laundry and washing machine interior, or clog the drain.
3. Place very sensitive clothes and small items in a special-purpose laundry washing bag.



► ADDING OF DETERGENT/SOFTENER






Style ①




Style ②

(The detergent compartment style depends on the model)

Symbols of detergent dispenser compartments

	prewash
	main wash
	softener

☼ We recommend adding powder detergent immediately before the washing cycle. If you add it sooner, make sure the detergent compartment in the dispenser tray is completely dry before adding the powder detergent: otherwise, the powder detergent may cake before the start of the washing process.

☼ Pour the softener into the detergent compartment, into the compartment with the symbol . Observe the recommendation on the softener packaging.

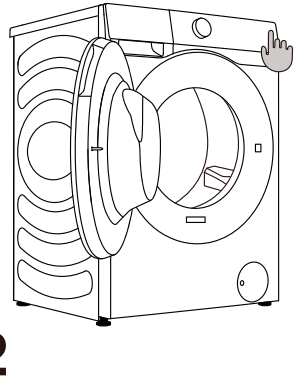
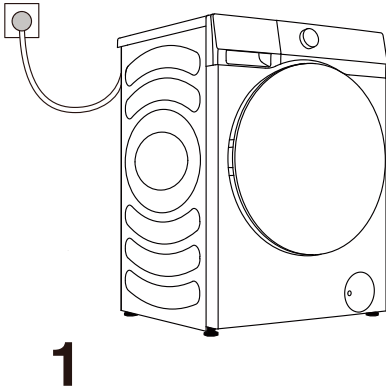
☼ Do not fill the softener compartment over the Max indicated level. Otherwise, the softener will be added to the laundry too soon, leading to poorer washing effect.

☼ Keep detergents and additives out of reach of children.

SWITCHING ON THE WASHING MACHINE

Use the power cord to connect the washing machine to power mains, and connect the washing machine to water supply.

Turn the appliance on by press the button "POWER" (figures 1 and 2).

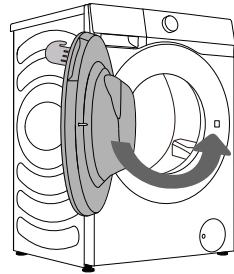
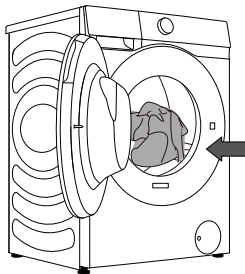
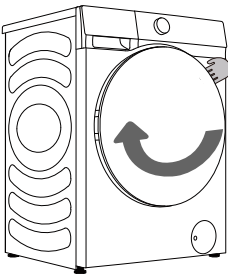


LOADING THE WASHING MACHINE

Open the washing machine door by pulling the handle towards you (figure 1).

Insert the laundry into the drum (after making sure the drum is empty) (figure 2).

Close the washing machine door (figure 3). The door is closed when you hear a click.

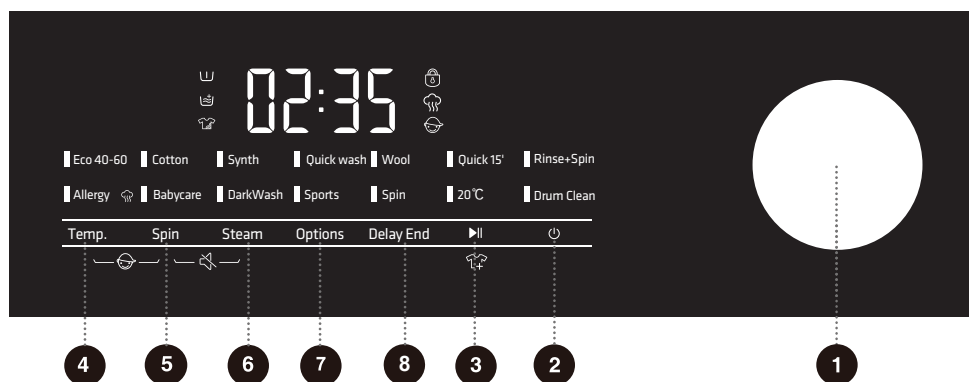


⚠ Never try to forcefully open the door. Moreover, do not open the door during washing machine operation.

Do not overload the drum! See PROGRAMME TABLE and observe your nominal load as indicated on the rating plate.

If the washing machine drum is too full, the laundry will not be washed as thoroughly.

CONTROL UNIT



1 PROGRAM SELECTOR

Turn the dial to select a program.

2 POWER

Press to turn on/off the machine.

3 START/PAUSE

Start/Pause the whole machine program running.

4 TEMP.

Press to change the water temperature.

5 SPIN

Press to change the spinning speed for the current program.

6 STEAM

Press to select Steam function.

7 OPTIONS

Press this button to select additional functions.

8 DELAY END

Delay End lets you set the end time of the current cycle.

4 + 5 CHILD LOCK

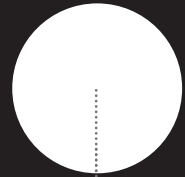
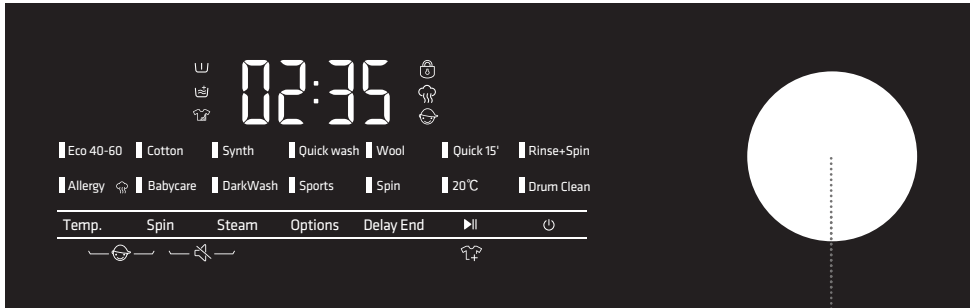
Press these two keys at the same time to enable or disable the Child Lock function.

5 + 6 MUTE

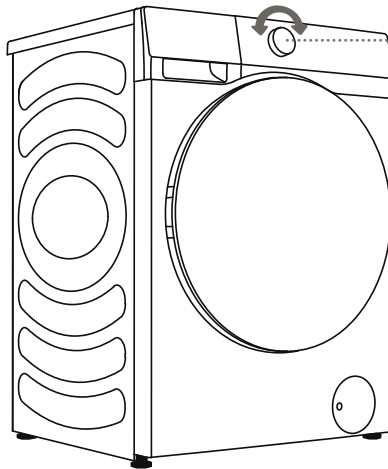
Press these two keys at the same time to switch off or restore the acoustic signals.

STEP 3: CHOOSING THE WASHING PROGRAMME

Choose the programme by rotating the programme selector knob (1) to the left or right (depending on the type of laundry and how heavily soiled it is). **See programme table.**



1



1

⚠ During operation, the programme selector knob will not rotate automatically.

PROGRAMME TABLE

Programme	Max. load	Max spinning rate (rpm)	Programme description
Eco 40-60 —	10kg	1400	Normally soiled cotton laundry.
Cotton (--, 20°C, 30°C, 40°C, 60°C, 90°C)	10kg	1400	Heavily and moderately soiled cotton, or linen. For very heavily soiled items, select the "Prewash" function.
Synth (--, 20°C, 30°C, 40°C, 60°C)	5kg	1400	For fabrics that are made of polyester (diolen, trevira), polyamide (perlon, nylon), or the like.
Quick wash (--, 20°C, 30°C, 40°C, 60°C)	5kg	1400	Mixed loads of moderately soiled cotton and synthetic fabrics. Program running time will be 58 min when you choose 0°C-40°C, and 78 min when you choose 60°C.
Wool (--, 20°C, 30°C, 40°C)	2kg	600	The program is suitable for machine washable wool.
Quick 15' (--, 20°C, 30°C, 40°C)	2kg	800	The program is suitable for cotton and mixed fabrics. It is suitable for lightly soiled or new clothes. Note that the washing time will increase if default settings are modified.
Rinse+Spin —	10kg	1400	This program is defaulted to two rinses and spins.
Allergy (60°C)	2kg	1400	It is suitable for high temperature resistant fabrics that are less prone to fading. The process effectively removes allergens, such as pollen, mites, and parasites, through the use of high-temperature steam.
Babycare (40°C, 60°C, 90°C)	2kg	1400	It is suitable for baby clothes, underwear, and similar items, as it sterilizes and disinfects using high-temperature steam.
Dark Wash (--, 20°C, 30°C, 40°C, 60°C)	5kg	1000	Suitable for machine washable clothes of dark colors.
Sports (--, 20°C, 30°C, 40°C)	4kg	1000	The program is suitable for sportswear and leisure wear made from microfibre fabrics.

Programme	Max. load	Max spinning rate (rpm)	Programme description
Spin —	10kg	1 400	In this program, you can select the duration and spinning rate manually.
20 °C (20 °C)	10kg	1 400	The program is suitable for cotton clothes with light stains, energy saving.
Drum Clean (90 °C)	/	800	The program is used for cleaning the drum and removing any residues of detergent and bacteria that can accumulate and develop especially when you use programmes with low washing temperatures. The drum has to be empty. Run this programme at least once a month.

NOTE:

- 1) Water Temperature: Select the appropriate water temperature for chosen wash programme. Always follow garment manufacturer's care label or instructions when washing to avoid damage to clothes.
- 2) Actual water temperature may differ from the declared program temperature.
- 3) The washing effect depends on water pressure, water hardness, water inlet temperature, room temperature, type and amount of load, degree of soiling utilized detergent, fluctuations in the main electricity supply and chosen additional options.
- 4) Neutral (non sudsing) detergent is recommended.
- 5) if you add a considerable amount of laundry during the wash, the laundry could be washed less effectively, since the washing machine initially sensed a lower weight of the load of laundry and added a smaller amount of water. Insufficient amount of water relative to the amount of laundry could also cause damage to the laundry (rubbing of dry laundry), and washing time can be longer.

- ☼ Maximum amount of laundry for washing, in kg (for the cotton programme), is indicated on the rating plate.
- ☼ Maximum or nominal load applies to laundry prepared pursuant to the IEC 60456 standard.
- ☼ For better washing effect, we recommend loading the drum to 2/3 when using the cotton programmes.

CHOOSING THE DETERGENTS AND ADDITIVES

Always choose highly efficient detergents that do not foam and which are intended for front-loading appliances.

The choice of detergent depends on the type, soil level, laundry colour, and washing temperature.

☹️ White residues (streaks etc.) on black laundry may appear if you are using modern phosphate-free detergents. In such case, brush the streaks and use a liquid detergent.

Only use detergent intended for appliances for household use.

Descaling agents may damage the appliance. Do not wash the clothes that were cleaned with solvents or flammable substances.

Observe the manufacturer's instructions on detergent dosing.

Excessive amount of detergent may result in foaming that in turn impairs washing efficiency. If the appliance senses excessive foaming, it may prevent the spin cycle from taking place. If the amount of detergent is too small, the laundry may no longer be white after a while. It could also result in accumulation of limescale in the drum and the pipes.

STEP 4: SELECTING ADDITIONAL SETTINGS AND FUNCTIONS

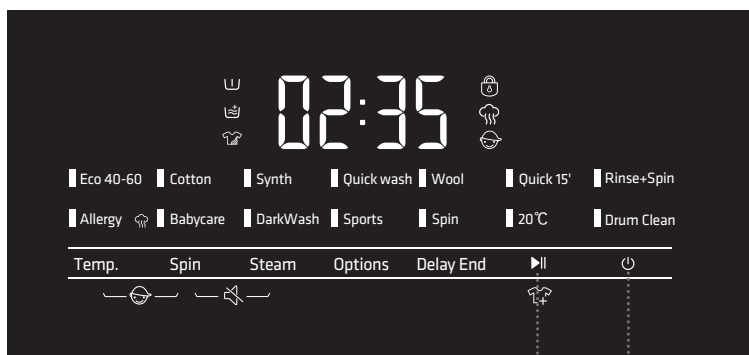
Most programmes feature basic settings, but these settings can be changed.

Adjust the settings by pressing the relevant function button (before pressing the START/PAUSE button).

💡 Activate/deactivate the functions by pressing the desired function (before pressing the START/PAUSE button).

💡 Certain settings cannot be selected with some programmes. Such settings will not be lit, and when the corresponding button is pressed, an acoustic signal will be emitted (see FUNCTION TABLE).

The additional settings and functions can only be set in the standby mode of the applicable program, that is, before the program starts running, and cannot be selected after the program runs.



2 Power

For powering on/off the washing machine.

When the washing machine is in standby, press and hold the Power key to enter the power-off state.

In standby mode, or in the program end interface or Wash retry reminder interface, if no operation is performed within 2min, the washing machine will shut down automatically.

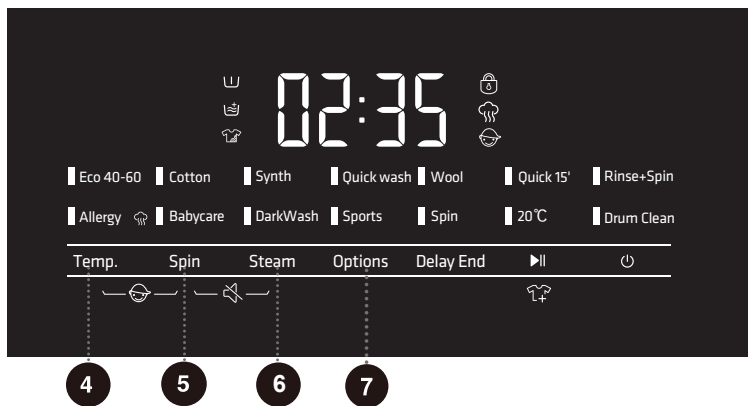
In power-off state, all displays and outputs will be off, and remote startup is not supported.

3 Start/Pause

For starting a program, or suspending a running program.

If the machine door isn't closed or the door lock is not engaged, the washing machine will not start, and an alarm will be displayed on the screen.

After a program is started, or when the pause state is selected, the set functions and parameters cannot be changed. Press and hold the Power button to turn off the machine, and then restart it to reset the parameter.



4 Temp.


Changing the temperature for the selected program. Each program has a preset temperature that can be changed by pressing the position TEMP. (--indicates cold wash). The temperature is displayed on the display unit above the button.

5 Spin

Use this to adjust the spinning rate. With preset or selected spinning rate, the selected spinning rate will be lit on the display unit.

6 Steam

Press to add "Steam" function, press twice to cancel the function, and cycle in sequence.

Programs with the steam icon "  " can use the steam function. The Allergy and Baby care programs come with the steam function by default and it can not be deactivated.

7 Options

At standby state, press "Options" button to select additional function for current program. Select only one function for each press, and then corresponding icon flashes. After starting up, program cannot be changed.

Pre-wash

Select this function to conduct pre-wash so as to enhance washing effects and better remove stains. This function is suitable for heavy dirt clothes.

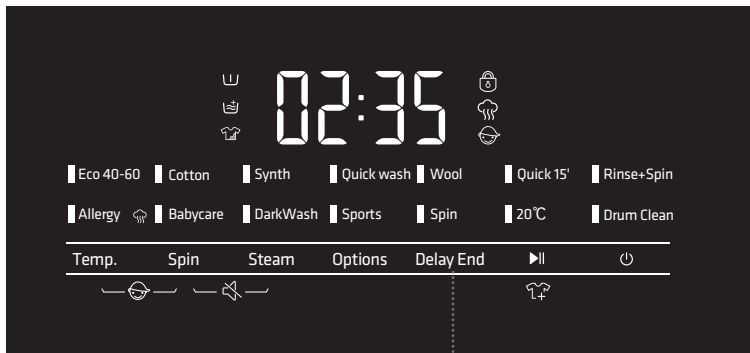
When selecting the pre-wash function, please add detergent to the prewash compartment of the detergent dispenser.

Extra Rinse

After set the function of extra rinse, the program runs the rinsing process once again before running the softening, and the total running time of the program increases accordingly.

Intensive

This function can be used to increase the intensive wash time and enhance the wash intensity.



8

Delay End

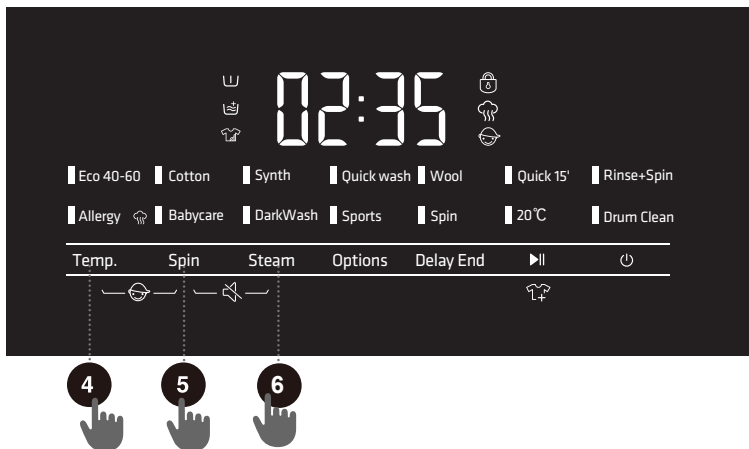
Use this feature to schedule washing at a convenient time.

Press this key to set the Delay End time. This key is only valid in standby mode. After the Delay End function is selected, each time the Delay End key is pressed, the time increases by 1h. The maximum selectable time range is 24 hours.

The Delay End time is the end time, that is, it includes the washing time, so the Delay End time must be greater than the washing time. Based on your settings, the start time of the cycle will be determined by the machine's internal logic. Press to choose a preset unit of hours.

When the reservation process is operated, the icon of 'reservation time' will be on. When the reservation process is finished, the icon of 'reservation time' will be off.

If the Delay End function was chosen before starting a program, it can be canceled by pressing any other function key. Once the program has started, you need to press and hold the Power button to turn off and restart the machine to cancel the Delay End function.



4 + 5 Child Lock

This is a safety feature. To activate it, simultaneously press "Temp.+Spin" buttons for 2 seconds, Child Lock icon will light up, and then Child Lock is set up. Repeat the same operation, the Child Lock will be released.

When the Child Lock is set, all function buttons will be shielded except the Power function.

After completing program, child lock will automatically unlock.


5 + 6 Mute

Use this to switch off or restore the acoustic signals.

When the machine is in the state of holding, pause or operation, press "Spin+Steam" buttons for 2 seconds, the display will show "bEEP oFF" icon. All the buzzing will be turned off except the alarms.

When the machine is in the mute state, repeat the same operation until the display show "bEEP on" icon. All the buzzing will be activated.

Door Lock

When the program has started, door lock icon "  " will light up, door lock will set up. Do not force the door open at this time to avoid injury.

When the machine is paused or after the program is end, if the unlocking conditions are met, the door lock will be automatically released, door lock icon will light off.

FUNCTION TABLE

PROGRAMMES	DETERGENT COMPARTMENT			TEMP.	SPIN	STEAM	PRE WASH	EXTRA RINSE	INTENSIVE	DELAY END	CHILD LOCK	MUTE
	PREWASH	MAIN WASH	SOFTENER									
Eco 40-60	-	✓	•	-	•	-	-	-	-	•	•	•
Cotton	✓	✓	•	•	•	•	•	•	•	•	•	•
Synth	✓	✓	•	•	•	•	•	•	•	•	•	•
Quick wash	✓	✓	•	•	•	-	•	•	•	•	•	•
Wool	-	✓	•	•	•	-	-	•	-	•	•	•
Quick 15'	-	✓	•	•	•	-	-	•	-	•	•	•
Rinse+Spin	-	-	•	-	•	-	-	•	-	•	•	•
Allergy	✓	✓	•	-	•	○	•	•	•	•	•	•
Babycare	✓	✓	•	•	•	○	•	•	•	•	•	•
Dark Wash	✓	✓	•	•	•	-	•	•	•	•	•	•
Sports	✓	✓	•	•	•	-	•	•	•	•	•	•
Spin	-	-	-	-	•	-	-	-	-	•	•	•
20°C	✓	✓	•	-	•	-	•	•	•	•	•	•
Drum Clean	-	-	-	-	-	-	-	-	-	•	•	•

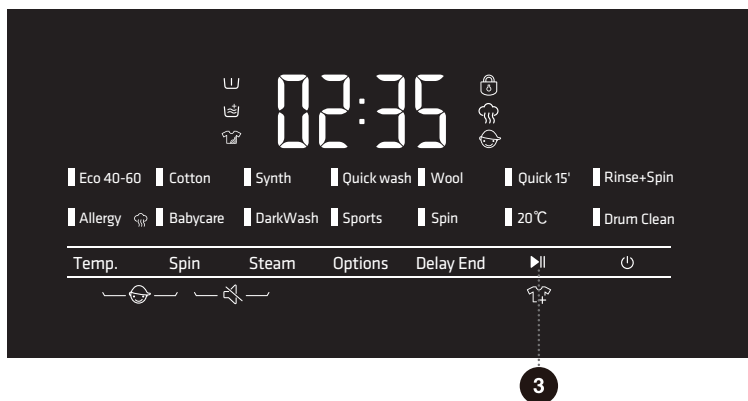
- Optional functions
- Can not be selected
- ✓ Detergent required
- Function non-cancellable

TIME OPTIMIZATION DURING THE PROGRAMME PROGRESS

In the early stage of the washing programme, the washing machine uses advanced technology to detect the amount of laundry. After load detection, the washing machine adjusts the programme duration.

STEP 5: STARTING THE WASHING PROGRAMME

Once you have selected the programme and extra functions, and added the detergent into the detergent compartment, press the **START/PAUSE** button.



After pressing the **START/PAUSE** button, child lock can be activated or deactivated, and sound signal can be set; other settings, however, cannot be changed.

When the program starts, "----" will appear on the display unit, which indicates that the laundry is being weighed. Program duration (hours : minutes) will be adjusted automatically according to the laundry weight.

After the start of the programme, Door Lock "🔒" will be lit on the display unit. When the program is complete, the icon will disappear.

If you press the **START/PAUSE** button during program operation, and all conditions are met for you to open the door, then the "🔒" will disappear as well.

If the "🔒" flashes, this means that the door can not be opened; in such case, do not attempt to open the door by force.

💡 If anything is flashing on the display unit, the washing machine door is open or not closed correctly. Close the washing machine door and press the **START/PAUSE** button again to resume the washing programme.

STEP6: END OF THE WASHING PROGRAMME

An acoustic signal will indicate the end of the washing process; the display will read »End«. The appliance will switch off automatically if you do not perform any action within 2 minutes.



1. Open the washing machine door.
2. Take out the laundry from the drum.
3. Close the door!
4. Shut off the water supply tap.
5. Unplug the power cord from the outlet.

ENTER THE AFTER-SALES QUERY MODE

1. In the OFF mode, press the "Temp." + "Steam" + "⏻" to enter the after-sales inquiry mode.
2. It displays the number of operation cycles.
3. Press "Steam" to switch cycles or fault codes.
4. When querying fault codes, press the "Temp." to page up and the "Spin" to page down.
5. Press the "⏻" button for 3 seconds, you will exit query mode.

INTERRUPTIONS AND CHANGING THE PROGRAMME

CHANGE OF WASHING PROGRAMME

To stop and cancel a washing programme, press the button "POWER" for 2 seconds.

To select a new programme, choose the programme by rotating the knob and select extra functions. Press the start/pause button, without adding the detergent again.

MANUAL INTERRUPTION

To stop and cancel a washing programme, press the button "POWER" for 2 seconds.

PAUSE BUTTON

The washing programme can always be stopped by pressing the START/PAUSE button. The washing programme is temporarily paused when the time remaining is flashing on the display unit. If there is no water in the drum and water temperature is not too high, then the door will unlock, and they can be opened. To resume the washing program, first close the door and then press the key **START/PAUSE** button.

ADDING/REMOVING LAUNDRY DURING WASHING MACHINE OPERATION

During a pause, the time on the display will blink. If the conditions are met, the door lock will automatically release, allowing you to open the door to add or remove clothes. If the conditions for opening the door are not met, the door can not be opened.

After adding clothes midway, press start/pause button and the washing program will resume running.

⚠ If you add a considerable amount of laundry during the wash, the laundry could be washed less effectively, since the washing machine initially sensed a lower weight of the load of laundry and added a smaller amount of water. Insufficient amount of water relative to the amount of laundry could also cause damage to the laundry (rubbing of dry laundry), and washing time can be longer.

⚠ Washing time will resume from the point at which the washing programme was interrupted.

⚠ When the program is suspended in spin state and then restarted, it will run again from the initial state of spin.

ERRORS

In case of an error or fault, the programme will be interrupted.

Flashing signal lights and an acoustic signal will warn about such occurrence (see TROUBLESHOOTING TABLE), and the error will be indicated on the display (F:XX).

POWER SUPPLY FAILURE

In case of a power supply failure (power outage), the washing programme is interrupted. When power supply is restored, the program is resumed in the stage in which it was interrupted.

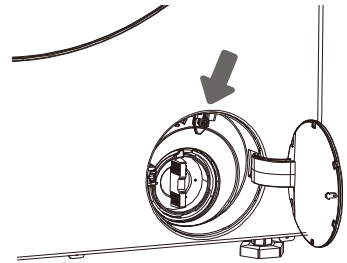
EMERGENCY DOOR OPENING

⚠ If there is still water in the machine after a power outage, make sure not to open the door before you manually drain the water from the machine via the pump filter.

In case of failure to open the door due to power outage or other special circumstances, the door lock lever at the drainage pump door can be used for emergency opening.

Note:

1. Do not operate when the machine is working normally;
2. Before operation, please make sure that the inner barrel has stopped turning, without high temperature, and the water level is lower than the clothing inlet. If the water level is higher than the clothing inlet, drain off water through the drain-away pipe (if available) or by slowly unscrewing the filter.
3. Operation method: Open the cover of drainage pump door, pull down the lock lever with the help of a tool, and then the door can be opened (indicated in the figure).



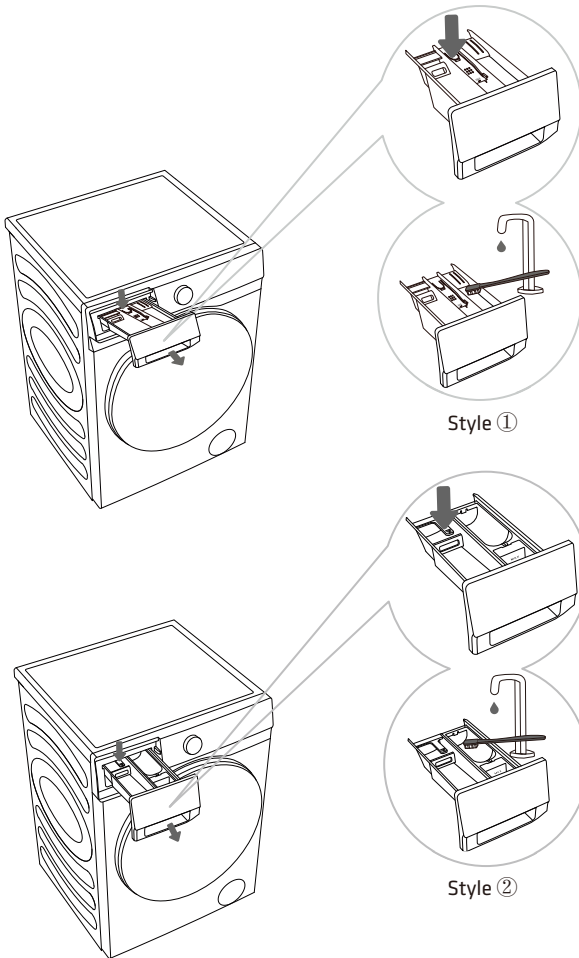
MAINTENANCE & CLEANING

⚠ Before cleaning, unplug the washing machine from the power mains.

☹ Children should not clean the washing machine or perform maintenance tasks without proper supervision!

CLEANING THE DETERGENT COMPARTMENT

☹ Clean the detergent compartment regularly.

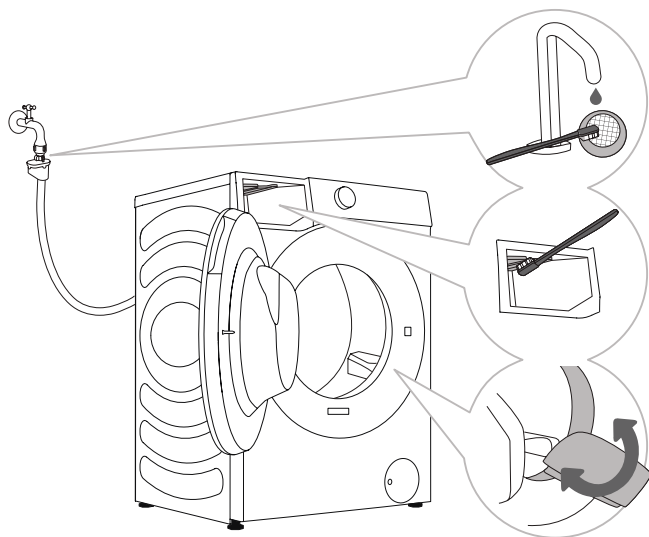


1 To remove the detergent compartment, press the small tab.

2 Clean the detergent compartment under running water using a brush, and dry it. Also, remove any detergent residue. Remove the conditioner insert (softener insert) from the detergent compartment. Wash all parts under running water, and put conditioner insert (softener insert) into detergent compartment and re-insert them into the machine.

☹ Do not wash the detergent compartment in a dishwasher.

CLEANING THE WATER SUPPLY HOSE, DETERGENT DISPENSER HOUSING, AND RUBBER DOOR GASKET

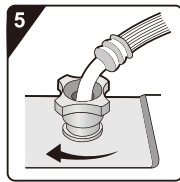
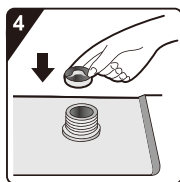
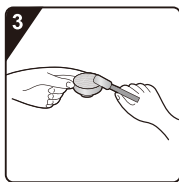
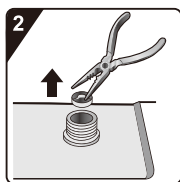
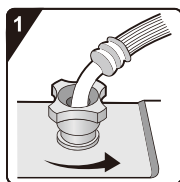


1 Clean the net filter often under running water.

2 Use a brush to clean the entire detergent dispenser section, especially the nozzles on the upper side.

3 After every wash, wipe the rubber door seal to extend its useful life.

CLEANING THE WATER INLET FILTER REGULARLY




1 Close the tap and unscrew the inlet hose on the rear of the appliance.

2 Pull off the mesh filter from the appliance connection with universal pliers.

3 Clean the internal mesh filter.

4 Refit the mesh filter again.

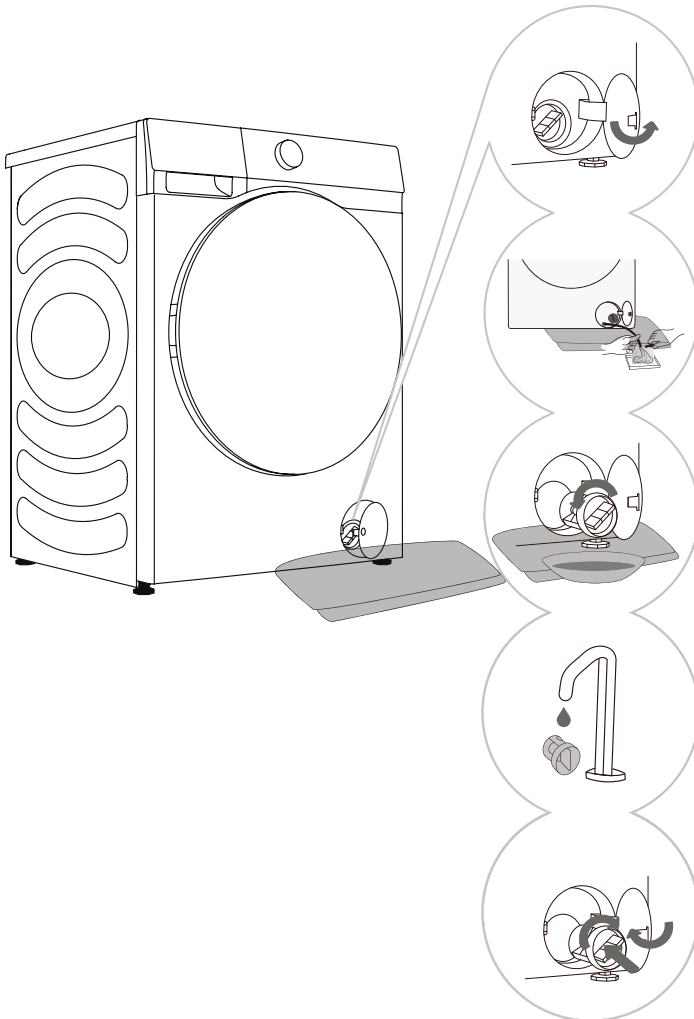
5 Screw the inlet hose on. Turn on the tap and ensure that the connections are completely water-tight.

 The water inlet filter collects lime or any sediment that may be in water that is supplied to the appliance. Clean the inlet filter every six months or so, or more often if the water is very hard or contains traces of limescale.

CLEANING THE PUMP FILTER

⚠ During cleaning, some water may be spilled. It is therefore recommended to place an absorbent cloth on the floor.

Make sure the water has cooled down before you release it from the appliance.



1 Open the pump filter cap.

Style 1: Press the door cover and automatically pop open.
Style 2: Open the pump filter cap using a suitable tool.
The style depends on the model.

2 Place a towel under the filter door.

If the machine has an emergency drain pipe, pull out emergency drain pipe of machine. Put end of emergency drain pipe into a container.

If the machine doesn't have an emergency drain pipe, place a container under the pump filter.

The style depends on the model.

Rotate emergency drain pipe plug and remove it after it becomes loose until water runs off naturally. Reinstall emergency drain pipe plug.

3 Rotate the pump filter slowly in the counterclockwise direction. Pull out and remove the pump filter.

4 Clean the pump filter under running water.

5 Replace the pump filter as shown in the figure and fasten it by rotating in the clockwise direction.

For a good seal, the filter gasket surface should be clean.

⚠ The pump filter must be timely cleaned, especially after washing very fleecy, woolly, or very old laundry.

⚠ Also clean the pump filter if the appliance can not start the spinning cycle or when there is debris in the pump (buttons, coins, hair pins or clips etc.).

CLEANING THE WASHING MACHINE EXTERIOR

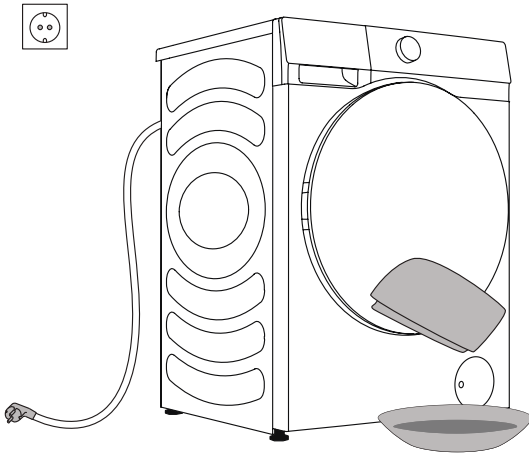
⚠ Always disconnect the washing machine from the power mains before cleaning.

Clean the washing machine exterior and display unit using a soft damp cotton cloth and water. Then, use a soft dry cloth to dry the appliance.

⚠ Do not use any solvents, abrasive cleaners, or cleaning agents that could damage the appliance (please observe the recommendations and warnings provided by the cleaning agent).

If necessary, wipe the appliance door with a damp cloth, and then dry with a dry soft cloth as well.

⚡ Do not clean the washing machine with a jet of water!



TROUBLESHOOTING

WHAT TO DO...?

The washing machine shall automatically control the operation of particular functions during the washing cycle. If any irregularity is identified, this will be indicated by reporting (F:XX) on the display. The washing machine will report the error until it is switched off. Disturbances from the environment (e.g. the power grid) may result in various error reports (see TROUBLESHOOTING TABLE). In such case:

- Switch off the washing machine and wait for a few seconds.
- Switch on the washing machine and repeat the washing programme.
- Most errors during operation can be resolved by the user (see TROUBLESHOOTING TABLE).
- If the error persists, call an authorized service unit.
- Repairs should only be carried out by an adequately trained person.
- Repair or any warranty claim resulting from incorrect connection or use of the washing machine shall not be covered by the warranty. In such cases, the costs of repair shall be charged to the user.

⚡ The warranty does not cover the errors or failures resulting from disturbances from the environment (lightning strike, power grid failures, natural disasters etc.).

TROUBLESHOOTING AND ERROR TABLE

Problem/error	Indication on the display unit and problem description	What to do?
F01	Water inflow fault	Check the following: <ul style="list-style-type: none"> • Is the water supply tap open and is the pressure too low? • Is the water supply hose pinched? • Is the filter on the water supply hose clogged • Is the hose frozen? Press the "start/pause" button again after exclusion.
F03	Drainage fault	Check the following: <ul style="list-style-type: none"> • Is the hose pinched, does the water flow through it? • Is the filter on the drain hose clogged • Is the hose frozen? Press the "start/pause" button again after exclusion.
F04/F05/F06/ F07/F23	Electronic module fault	Switch off the appliance; Press the "Power" for 2 seconds. Press the "start/pause" button again. If the error reoccurs, call a service technician.
F24	Water level reaches overflow level	Stop the programme by pressing the "start/pause" button. Restart the programme. If the appliance continues to pump water into the tub, close the water tap and call a service technician.
F13	Error while locking the door	Door is closed, but it cannot be locked. Switch off the washing machine. Switch it back on and restart the washing programme. If the error reoccurs, call a service technician.
F14	Error while locking the door	Door is closed, but it cannot be unlocked. Turn off the appliance, then turn it back on. If the error reoccurs, call a service technician.
Unb	Unbalance alarm	Unbalance alarm shall be solved by the following methods <ol style="list-style-type: none"> 1. Laundry winding Press the "Power" for 2 seconds to shut down the washing machine, open the door, shake the clothes and put them back into the washing machine, then select the single dewatering program to try again. 2. Too light-weighted laundry Press the "Power" for 2 seconds for shutdown, open the door, put in one or two towels, and then select the single dewatering program to try again.

RECOMMENDATIONS FOR WASHING AND ECONOMIC USE OF YOUR WASHING MACHINE

Wash new coloured garments separately the first time.

Wash heavily soiled laundry in smaller amounts, with more powder detergent or with a pre-wash cycle.

Apply a special stain remover on stubborn stains before the wash. We recommend referring to STAIN REMOVAL TIPS.

If you often wash laundry at low temperatures and with liquid detergents, bacteria may spawn which can cause odour in the washing machine. To prevent such odour, we recommend occasionally running the Drum Clean.

We recommend avoiding washing very small amounts of laundry as this will lead to excessive use of energy and poorer washing machine performance.

Loosen any folded laundry before putting it into the drum.

Only use detergents for machine washing.

Add powder or liquid detergents as instructed by the manufacturer, according to the washing temperature and selected washing programme.

When using highly concentrated detergents, use special-purpose dosing cups (supplied with the detergent) and place them directly in the appliance drum.

If water hardness exceeds 14°dH, water softener should be used. Heater damage resulting from incorrect use of water softeners shall not be covered by the warranty. Check the information on water hardness with your local water supply company or authority.

Use of chlorine-based bleaches is not recommended as they can damage the heater.

If you use a descaling agent, bleach, or dye, only use the kind that is suitable for use in the appliance.

Do not use solvents or similar chemicals (e.g. paint thinner, turpentine, gasoline etc.)!

Do not add hardened lumps of powder detergent into the detergent dispenser as this may clog the piping in the washing machine.

When using thick liquid laundry care products, we recommend diluting them with water to prevent clogging the detergent compartment drain.

Liquid detergents are intended for washing programmes without a prewash cycle.

STAIN REMOVAL TIPS

Before using special-purpose stain removers, try using the natural methods that do not harm the environment on less stubborn stains.

However, prompt action is required! Soak the stain with an absorbent sponge or a paper towel; then, rinse with cold (lukewarm) water - but never with hot water!

Stains	Stain removal
Mud	When the stain is dry, first scrape it off the garment before washing it in the washing machine. If the stain is stubborn, soak it with an enzyme-based stain remover before the wash. If the stain is not stubborn, wash the laundry with liquid detergent or powder detergent and water before the wash.
Antiperspirant	Before washing in the washing machine, apply liquid detergent onto the laundry. Apply stain removers on any stubborn stains. Alternatively, use oxygen-based bleach for the wash.
Tea	Soak or rinse the laundry in cold water and add stain remover if necessary.
Chocolate	Soak or rinse the laundry with lukewarm soapy water. Then, apply lemon juice and rinse.
Ink	Before washing in the washing machine, apply stain removers on the stain. You may also use denatured alcohol. Turn the garment inside out and place a paper towel under the stain. Use the alcohol on the back side of the stain. At the end of the process, thoroughly rinse the garment.
Felt tip pens	Dilute some starch in water and apply it to the stain. When it dries, scrape it off with a brush; then, wash the garment in the washing machine.
Baby food (urine, mud, food stains)	Before washing in the washing machine, soak the stains in lukewarm water for at least half an hour. For easier stain removal, add an enzyme-based stain remover.
Grass	Before washing in the washing machine, soak the laundry in an enzyme-based stain remover. Grass stains can also be removed by soaking (for approx. 1 hour) in diluted lemon juice or distilled vinegar.
Eggs	Soak the garment in an enzyme-based stain remover. Soak in cold water for at least 30 minutes or a few hours if the stains are stubborn. Then, wash in the washing machine.
Coffee	Soak the garment in salt water. If the stain is not fresh, soak it with a mixture of glycerine, ammonia and alcohol.
Shoe polish	Apply cooking oil to the stain and rinse.

Stains	Stain removal
Blood	Fresh stain - rinse the garment with cool water and wash it in the washing machine. Dried stain - soak the garment in an enzyme-based stain remover. Then, wash in the washing machine. If the stain does not vanish, try to remove it with a bleach suitable for your garment.
Glue, chewing gum	Place the garment in a bag and put it in the freezer until the stain hardens. Then, remove it with a blunt knife. Then, dilute the stain with a prewash stain remover and rinse thoroughly. Then, wash the laundry as usual.
Makeup	Use a stain remover for the prewash; then, wash in the washing machine.
Butter	Before washing in the washing machine, apply stain remover to the stain. Then, rinse with hot water (as hot as the fabric will allow).
Milk	Soak the garment in an enzyme-based stain remover. Soak for at least 30 minutes or a few hours if the stains are stubborn. Then, wash in the washing machine.
Fruit juice	Apply a mixture of salt and water on the stain. Leave to take effect for a while, then rinse. You can apply sodium bicarbonate, distilled vinegar or lemon juice on the stain before washing in the washing machine. For old stains, use glycerine. After 20 minutes, rinse with cold water, then wash the laundry in the washing machine.
Wine	Soak the laundry in cold water for at least 30 minutes. Also, use a stain remover. Then, wash in the washing machine.
Wax	Put the garment into the freezer until the wax hardens. Then, scrape it off. Remove the remaining wax by placing a paper towel onto the stain, and then heat it with an iron until the paper absorbs the wax.
Sweat	Before washing in the washing machine, rub liquid detergent thoroughly into the stain.

TYPICAL CONSUMPTION TABLE

Programme Instructions

1. The Eco 40-60 programme is able to clean normally soiled cotton laundry declared to be washable at about 40°C to 60°C together in the same cycle, and that this programme is used to assess the compliance with the EU ecodesign legislation.
2. The power consumption of the off-mode is 0.49W.
3. The most efficient programmes in terms of energy consumption are generally those that perform at lower temperatures and longer duration.
4. Loading the household washing machine up to the capacity indicated by the manufacturer for the respective programmes will contribute to energy and water savings.
5. Correct use of detergent, softeners and other additives. Do not apply excessive detergent. This may affect the washing results adversely.
6. Periodic cleaning, including optimal frequency, and limescale prevention and procedure.
7. Noise and remaining moisture content are influenced by the spinning speed: the higher the spinning speed in the spinning phase the higher the noise and the lower the remaining moisture content.
8. The product information and QR code are reflected in the energy consumption label. The product registration information can be obtained by scanning the QR code.
9. The information of standard programmes.

Program	Selected Temperature (°C)	Rated Capacity (kg)	Maximum temperature in drum (°C)	Program duration (h:min)	Energy consumption (kWh/cycle)	Water consumption (litres/cycle)	Remaining moisture content (%)	Maximum speed reached (rpm)
Eco40-60 full load	-	10.0	31	3:59	0.680	62.0	53.00	1400
Eco40-60 half load	-	5.0	26	3:00	0.410	47.0	53.00	1400
Eco40-60 1/4 load	-	2.5	24	2:20	0.230	34.0	55.00	1400
20°C	20	10.0	20	1:50	0.250	100.0	56.00	1400
Cotton	60	10.0	58	3:29	2.280	130.0	56.00	1400
Synth	40	5.0	40	2:23	1.000	82.0	38.00	1400
Quick 15'	20	1.0	20	0:15	0.060	33.0	65.00	800

The values given for programmes other than the Eco 40-60 programme are indicative only.

☼ Maximum or nominal load applies to laundry prepared pursuant to the IEC 60456 standard.

⚠ Due to deviations in terms of type and amount of laundry, spinning, power supply oscillation, and environment temperature and humidity, the programme duration and power consumption values measured at the end user may differ from the ones stated in the table.

We reserve the right to any changes and errors in the instructions for use.

Power International AS,
PO Box 523, N-1471 Lørenskog, Norway

Power Norge:
<https://www.power.no/kundeservice/>
T: 21 00 40 00

Power Danmark:
<https://www.power.dk/kundeservice/>
T: 70 33 80 80

Punkt 1 Danmark:
<https://www.punkt1.dk/kundeservice/>
T: 70 70 17 07

Power Finland:
<https://www.power.fi/tuki/asiakaspalvelu/>
T: 0305 0305

Power Sverige:
<https://www.power.se/kundservice/>
T: 08 517 66 000

SIKKERHETSINFORMASJON

1. Produsenten forbeholder seg retten til endringer på produktet som kan anses som nødvendige eller nyttige uten å opplyse om det i bruksanvisningen.
2. Før du bruker den nye vaskemaskinen, må du lese bruksanvisningen nøye og ta vare på den for fremtidig oppslag. Hvis du har mistet den ved uhell, ber du kundeservice om å sende den elektronisk eller på papir.
3. Sørg for at stikkkontakten er jordet og at vannforsyningen er pålitelig.
4. Dette apparatet skal ikke brukes av personer (inklusive barn) med reduserte fysiske evner, sansevner eller mentale evner, eller som mangler erfaring og kunnskap, med mindre de er under oppsyn eller har fått instruksjoner som gjelder bruk av apparatet av en person som er ansvarlig for deres sikkerhet.
5. Dette apparatet kan brukes av barn over 8 år og personer med reduserte fysiske-, sensoriske- eller mentale evner eller mangel på erfaring og kunnskap hvis de er under tilsyn eller har mottatt anvisning om bruk av apparatet på en sikker måte og forstår farene dette innebærer. Barn må ikke leke med apparatet. Rengjøring og brukervedlikehold må ikke utføres av barn uten tilsyn.
6. Barn må være under tilsyn for å sikre at de ikke leker med apparatet.
7. Hvis strømledningen er skadet, må den skiftes av produsenten, produsentens servicerepresentant eller en tilsvarende kvalifisert person for å unngå fare.
8. De nye slangesettene som følger med apparatet, skal brukes, og de gamle slangesettene skal ikke brukes.

9. På apparater som har ventilasjonsåpninger i bunn må man passe på at åpningene ikke blokkeres av et teppe.
10. Barn under 3 år skal holdes unna med mindre de er under konstant oppsyn.
11. Maksimalt tillatt vanninntakstrykk er 1 MPa for apparater beregnet på å kobles til vannforsyning. Minste tillatte trykk på vanninntakstrykk er 0,1 MPa hvis dette er nødvendig for riktig drift av apparatet.
12. Maksimal vaskekapasitet er 10 kg.
13. Kun for privat husholdningsbruk..
14. Dette apparatet er beregnet for bruk i husholdninger og lignende bruksområder som:
 - Personalrom i butikker, på kontorer og andre arbeidsplasser
 - gårdsbruk;
 - av gjester i hoteller, moteller og andre bosteder;
 - enkle overnattingssteder;
 - fellesområder i boligblokker eller i vaskerier.

FØR BRUK AV VASKEMASKINEN

1. Fjerne emballasjen og inspisere

- Kontroller at vaskemaskinen er uskadet etter utpakking. Hvis du er i tvil, må du ikke bruke vaskemaskinen. Kontakt kundeservice eller din lokale forhandler.
- Kontroller at alt tilbehør og medfølgende deler er på plass.
- Hold emballasje (plastposer, isopor osv.) utilgjengelig for barn, da de kan være farlige.

2. Fjern transportboltene

- Vaskemaskinen har transportbolter for å unngå eventuelle skader på innsiden under transport. Før du bruker maskinen, er det viktig at transportboltene fjernes.
- Når de er fjernet, dekker du til åpningene med de 4 plasthettene som følger med.

3. Installere vaskemaskinen

- Installer apparatet på en solid og jevn gulvflate, helst i et hjørne av rommet.
- Sørg for at alle de fire føttene står støtt og hviler på gulvet, og kontroller deretter at vaskemaskinen er helt vannrett (bruk vater).
- Sørg for at ventilasjonsåpningene i bunnen av vaskemaskinen (hvis modellen har det) ikke er blokkert av teppe eller annet materiale.

4. Vanninntak

- Koble til vanntilførselsslangen i henhold til reglene til det lokale vannselskapet.
- Vanninntak - avhengig av modell:
 - Enkelt inntak - kun kaldt vann
 - Dobbelt inntak - varmt og kaldt vann
- Vannkran: slangekobling med 3/4 gjenging

5. Tapping

- Koble tappeslangen til vannlåsen, eller hekt den over kanten av en vask med den medfølgende «U»-bøyen.
- Hvis vaskemaskinen er koblet til et integrert tappesystem, må du sørge for at systemet har en ventil for å unngå at vann tas inn og tappes ut samtidig (heverteffekt).
- Fest tappeslangen godt for å unngå skålding når maskinen tappes.

6. Elektrisk tilkobling

- Tilkobling til elektrisitet må utføres av en kvalifisert tekniker i samsvar med produsentens instruksjoner og gjeldende standard sikkerhetsforskrifter.
- Data om spenning, strømforbruk og beskyttelseskrav er gitt på frontveggen til døråpningen.
- Apparatet skal kobles til strømmettet med en stikkontakt som er jordet i henhold til gjeldende forskrifter. Vaskemaskinen skal være jordet etter forskrift. Produsenten fraskriver seg alt ansvar for eiendoms- eller personskaide grunnet manglende overholdelse av instruksjonene som står ovenfor.
- Ikke bruk skjøteledninger eller grenuttak. Sørg for at stikkontakten har nok kapasitet til å drive maskinen under oppvarming.
- Før man utfører vedlikehold på vaskemaskinen, må den kobles fra strømmettet.
- Etter installasjon må man sørge for at det går an å koble fra strøm gjennom stikkontakten eller en topolet bryter.
- Ikke bruk vaskemaskinen hvis den har blitt skadet under transport. Kontakt kundeservice.
- Strømledningen kan kun erstattes av kundeservice.
- Apparatet skal kun brukes i husholdning til tiltenkt formål.

FORHOLDSREGLER OG GENERELLE ANBEFALINGER

1. Emballasje

- Emballasjen kan resirkuleres i sin helhet og er merket med resirkuleringssymbolet ♻. Følg gjeldende lokale forskrifter når du kaster emballasjen.

2. Kaste emballasje og deponere gamle vaskemaskiner

- Vaskemaskinen er laget med gjenbrukbare materialer. Den må deponeres i samsvar med gjeldende lokale forskrifter for avfallshåndtering.
- Før deponering må du fjerne alle vaskemiddelrester, knuse dørkroken og skjære av strømledningen slik at vaskemaskinen ikke kan brukes.



- Dette apparatet er merket i henhold til EU-direktiv om kassert elektrisk og elektronisk utstyr (WEEE-direktivet). Ved å sørge for at produktet avhendes på riktig måte vil du bidra til å motvirke de negative konsekvensene som feilaktig avfallshåndtering av dette produktet kan medføre for miljøet og menneskers helse.

Symbolet på produktet eller på dokumentene som følger med det, viser at produktet ikke skal behandles som husholdningsavfall. Det må i stedet leveres til et egnet innsamlingssted for resirkulering av elektrisk og elektronisk utstyr. Apparatet må avfallsbehandles i overensstemmelse med gjeldende lokale forskrifter for avfallsbehandling. Du får nærmere informasjon om behandling, gjenvinning og resirkulering av produktet ved å ta kontakt med kommuneadministrasjonen, renovasjonsselskapet eller butikken der du kjøpte produktet.

3. Plassering og omgivelser

- Ikke oppbevar brannfarlig gass eller væske nær apparatet.

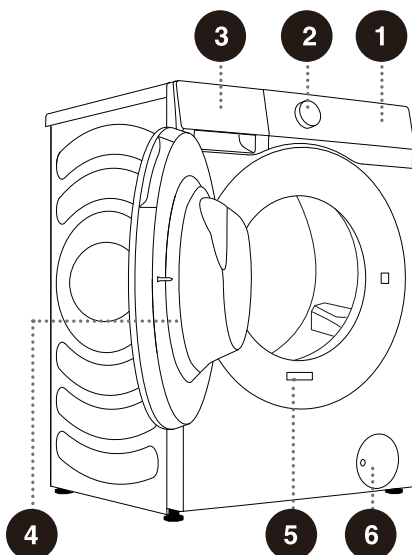
4. Sikkerhet

- La ikke apparatet stå uten tilsyn når det ikke er i bruk. Koble aldri til eller fra stikkkontakten hvis hendene er våte.
- Slå av kranen.
- Før rengjøring og vedlikehold må du slå av maskinen eller koble fra stikkkontakten.
- Rengjør utsiden av vaskemaskinen med en fuktet klut. Ikke bruk skurende rengjøringsmidler.
- Aldri åpne døren med makt eller stå på den.

BESKRIVELSE AV VASKEMASKINEN

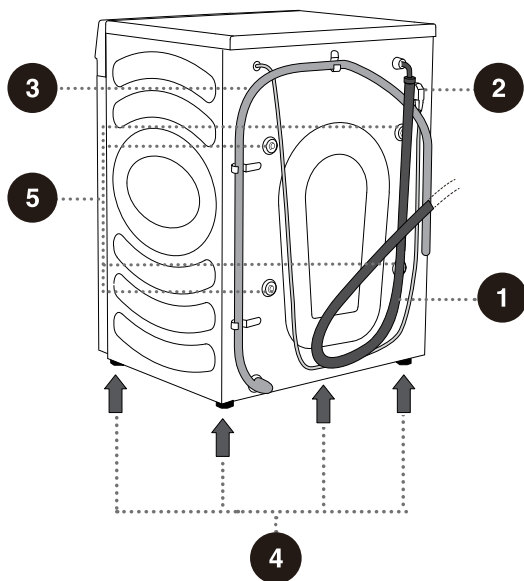
FRONT

- 1 Kontrollenhet
- 2 Programvalgknott
- 3 Vaskemiddelkammer
- 4 Dør
- 5 Merkeskilt
- 6 Pumpefilterdeksel



TILBAKE

- 1 Vanntilførselsslange
- 2 Strømledning
- 3 Vannutløpsslange
- 4 Justerbar fot
- 5 Blokkerende stenger/skruer



NO

⚠ Illustrasjonene i denne manualen er kun for referanse. Siden produktene våre er gjenstand for kontinuerlig forbedring, kan utseende, farge og funksjonelle delene på ditt faktiske produkt variere fra illustrasjonene.

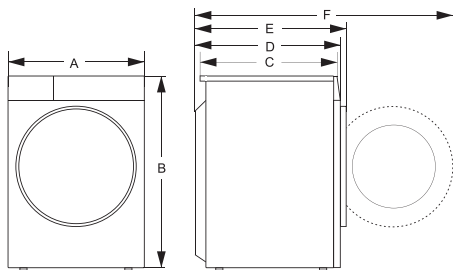
TEKNISKE SPESIFIKASJONER

(AVHENGIG AV MODELL)

Typeskilt med grunnleggende informasjon om vaskemaskinen er montert på frontveggen til vaskemaskinens døråpning (se kapittelet «VASKEMASKINBESKRIVELSE»).

Maksimal last	10 kg
Vanntrykk	0,1-1 MPa
Nominell spenning	220-240 V~
Nominell effekt	1750 W
Frekvens	50 Hz
Grad av vanntett	IPX4

Dimensjoner (mm)



Indeks	Dimensjoner (mm)
A	595
B	845
C	560
D	590
E	620
F	1100

INSTALLASJON OG TILKOBLING

⚠ Fjern all emballasjen. Når du fjerner emballasjen, pass på at du ikke skader apparatet med en skarp gjenstand. Hold emballasjematerialet (plastposer, andre plastdeler osv.) utilgjengelig for barn.

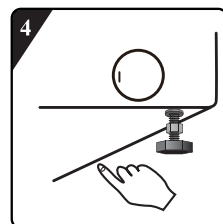
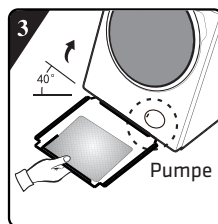
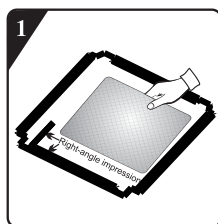
Kontroller apparatet for skader. Hvis du mistenker at apparatet er skadet, må du ikke bruke det og kontakte serviceenheten umiddelbart.

Apparatet leveres med et støttesett som inkluderer:

- Instruksjoner for bruk
- 4 plastikkplugger
- Tilførselsslange
- Avløpsslangeholder
- Skift nøkkel
- Støyreduksjonstavle

Sørg for at alt det ovennevnte er levert.

SLIK INSTALLERES STØYREDUKSJONSTAVLEN



1 Før du installasjon av støyreduksjonsplaten, må du sentrere og lime på den akustiske absorpsjonsullen med og langs det rettvinklede avtrykket på støyreduksjonsplaten (denne prosedyren er unødvendig for noen av modellene uten akustisk absorpsjonsull).

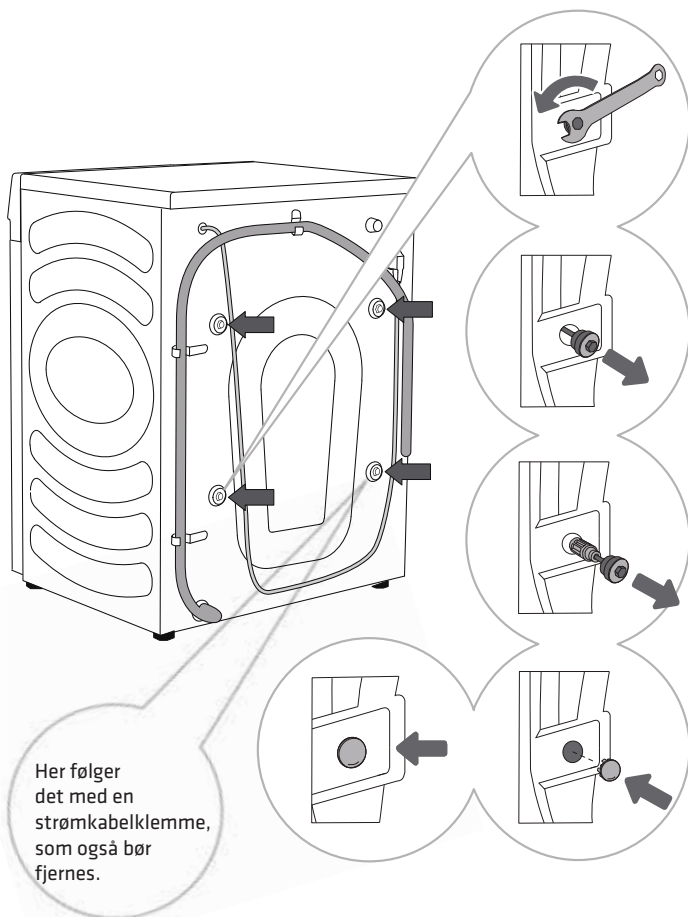
3 Hell maskinen til en vinkel på 40° og la siden med rettvinklet hakk vende mot fronten av apparatet, som vist på figuren. Sett siden med skråvinkelhakk mellom to fotskruer på baksiden av apparatet helt på plass. Installer deretter støyreduksjonsplaten og sørg for at den er i tett kontakt med bunnen av apparatet.

2 Fjern overflatepapiret med dobbeltsidig tape på fire sider av bunnplaten.

4 Trykk manuelt på den dobbeltsidige på fire sider manuelt for å feste støyreduksjonskortet godt til maskinhuset.

FJERN BLOKKERINGSSKRUE/STENGER

⚠ Før første gangs bruk av apparatet, må transportskruer/stenger fjernes. Et blokkert apparat kan bli skadet når det slås på for første gang. Garantien blir ugyldig i tilfelle slik skade.



1 Flytt slangene til side og bruk en skrunøkkel til å løsne de 4 skruene på baksiden av apparatet ved å vri dem mot klokken, som vist med pilen. Løsne dem med ca. 30 mm.

2 Trekk ut alle 4 transportskruene/stengene horisontalt.

3 Trekk ut transportskruene/stengene komplett med gummen og plastdelen.

4 Dekk til de fire hullene som blokkeringsskruene/stengene ble satt inn gjennom med plastpluggene. Plastpluggene leveres i posen med vaskemaskinens bruksanvisning (støttesettet).

⚠ Ta vare på transportskruene/stengene i tilfelle du må transportere apparatet igjen senere (følg prosedyren ovenfor i motsatt rekkefølge for å sette tilbake blokkeringsskruene/stengene).

FLYTTING OG TRANSPORT ETTER INSTALLASJON

☞ Hvis du ønsker å flytte vaskemaskinen etter at den er installert, må blokkeringsskruene/stengene monteres på nytt for å unngå vibrasjonsskader på vaskemaskinen under transport (se kapittelet «INSTALLASJON OG TILKOBLING / Fjerne blokkeringsskruer/stenger»). Har du mistet blokkeringsskruene/stengene kan de bestilles hos produsenten.

Pakk sammen alt emballasjemateriale (plastposer, andre plastdeler osv.).

⚠ Etter transport bør vaskemaskinen stå stille i minst to timer før den kobles til strømmettet, slik at den kan nå romtemperatur. Apparatet skal installeres og kobles til av en kvalifisert tekniker.

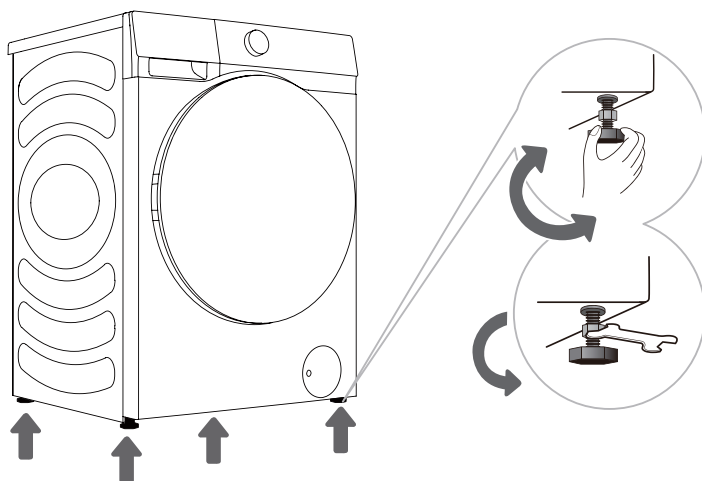
⚠ Les bruksanvisningen nøye før du kobler til vaskemaskinen. Reparasjoner eller garantikrav som følge av feil tilkobling eller bruk av vaskemaskinen dekkes ikke av garantien.

VALG AV ROM

- ⚠ Vaskemaskinen må stå jevnt og stabilt på fast underlag. Gulvet som vaskemaskinen plasseres på må ha betongunderlag. Det må være rent og tørt; ellers kan vaskemaskinen skli. Rengjør også undersiden av de justerbare føttene.

JUSTERING AV VASKEMASKINENS FØTTER

Bruk et vater og den medfølgende skiftenøkkelen.



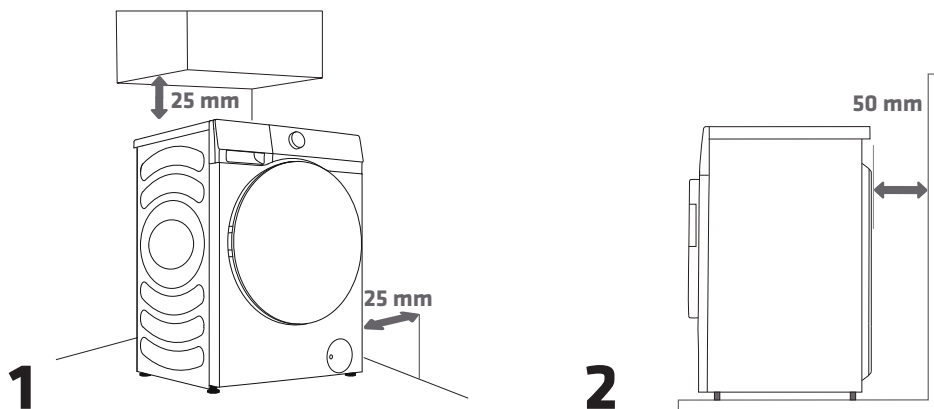
1 Drei de justerbare føttene for å nivellere vaskemaskinen på langs og på tvers. Føttene tillater nivellering med +/- 2 cm.

2 Etter å ha justert høyden på føttene, strammes låsemutterne (kontramutterne) godt med den medfølgende nøkkelen ved å dreie dem mot bunnen av vaskemaskinen (se figuren).

- ⚠ Feil nivellering av vaskemaskinens justerbare ben kan føre til vibrasjoner, at apparatet sklir over gulvet og høy støy ved drift. Feil nivellering av vaskemaskinen dekkes ikke av garantien.

- ⚠ Noen ganger kan det oppstå uvanlig eller høyere støy under bruk av apparatet. Dette er for det meste et resultat av feil installasjon.

Avstander for installasjon av vaskemaskinen

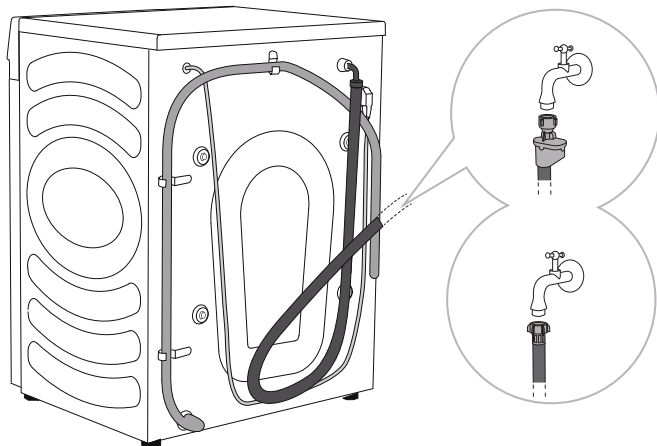


⚠ Vaskemaskinen må ikke komme i kontakt med en vegg eller tilstøtende møbler. For optimal bruk av vaskemaskinen, anbefaler vi å observere avstanden til vegg som vist på figuren. Ved unnlattelse av å overholde minimumskravene, kan sikker og korrekt drift av vaskemaskinen ikke garanteres. Dessuten kan overoppheting også forekomme (figur 1 og 2).

⚠ Det anbefales ikke å installere vaskemaskinen under en benkeplate.

KOBLE TIL VANNFORSYNING

Fest slangen til vannkranen ved å skru den på gjengen.



A AQUASTOP

B VANLIG
TILKOBLING

• For normal vaskemaskindrift bør trykket i vannledningen være mellom 0,1–1 MPa (1–10 bar; 1–10 kp/cm²; 10–100 N/cm²). Minste dynamiske vanntrykk kan avgjøres ved å måle vannstrømmen. I løpet av 15 sekunder skal 3 liter vann renne fra en helt åpen kran.

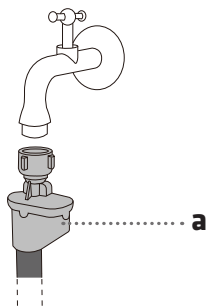
• Stram vanntilførselsslangen for hånd, godt nok til at slangen har en god tetning (maks. 2 Nm). Etter tilkobling av slangen må tetningen kontrolleres for eventuelle lekkasjer. Ikke bruk tang eller lignende verktøy når du kobler til slangen, siden dette kan skade muttergjengen.

• Bruk kun vanntilførselsslangen som følger med apparatet. Ikke bruk brukte eller andre slanger.

• Sørg for at slangen ikke er skadet. Hvis slangen er nedbrutt, sprø eller sprukket, må den skiftes ut.

AQUASTOP (KUN PÅ ENKELTE MODELLER)

Hvis et internt rør eller en slange er skadet, aktiveres et avstengningssystem som kutter vanntilførselen til vaskemaskinen. I slike tilfeller blir kontrollglasset (a) rødt. Bytt vanntilførselsslangen.



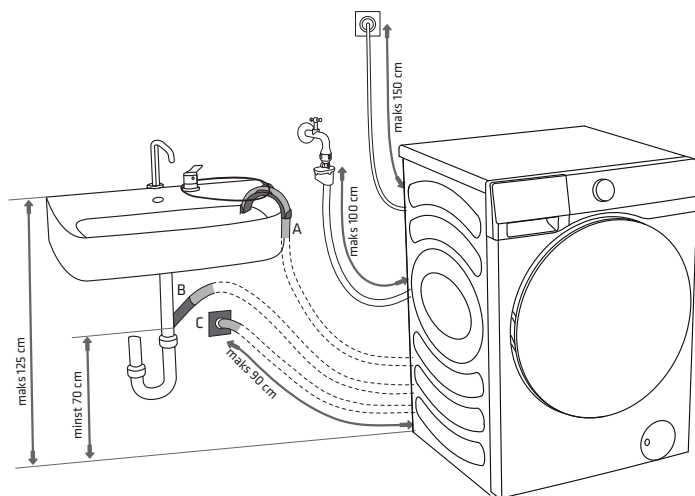
⚠ Ikke dypp vanntilførselsslangen med Aquastop-systemet i vann, siden den inneholder en elektrisk ventil.

⚠ Vanntilførselsslangen kan kobles til uten tilbakeslagsventil.

⚠ Ved tilkobling av vanntilførselsslangen, må du sørge for å koble den på en måte som tillater tilstrekkelig og uhindret vanntilførsel.

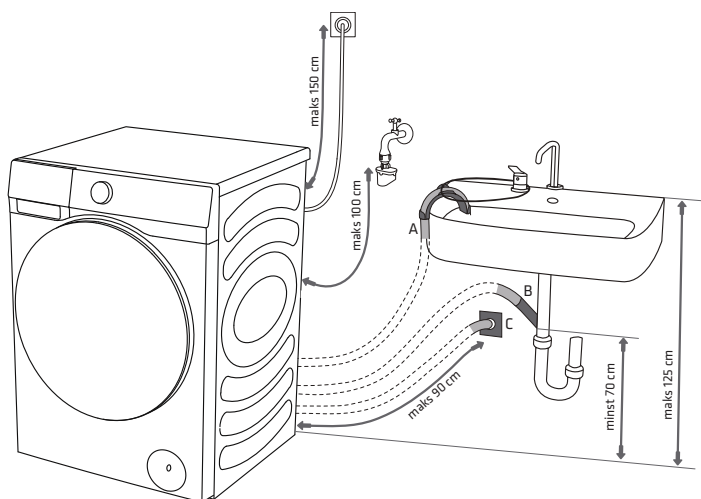
TILKOBLING OG SIKRING AV VANNUTSLØPSSLANGEN

Før vannavløpsslangen inn i en servant eller et badekar, eller koble den direkte til et avløp (avløpsslange med minstediameter på 4 cm). Den vertikale avstanden fra gulvet til enden av utløpsslangen kan ikke være mer enn 100 cm og ikke mindre enn 60 cm. Den kan festes på tre måter (A, B, C).

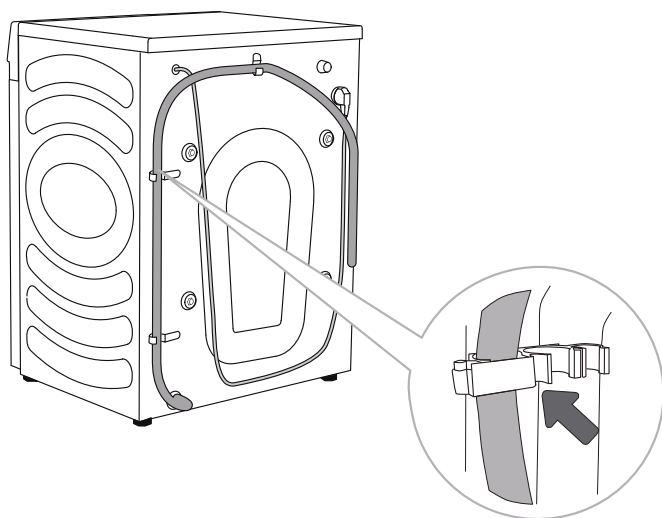


A Enden av utløpsslangen kan plasseres over en vask eller et badekar. Bruk en snor som føres gjennom åpningen i albuestøtten for å feste slangen og forhindre at den sklir til gulvet.

B Utløpsslangen kan også festes direkte til vaskens avløp. En vask som er for liten er ikke egnet. Vær forsiktig, det drenerte vannet kan være varmt.



C Utløpsslangen kan også festes til et veggsluk med et festeløsning. Denne bør være riktig installert for å muliggjøre rengjøring.

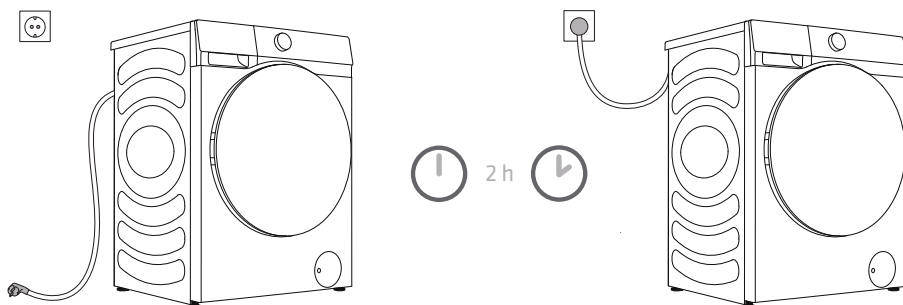


D Utløpsslangen må festes og kobles til tappen på baksiden av vaskemaskinen, som vist på figuren.

⚠ Sørg for at avløpsslangen ikke er skadet.

⚠ Hvis utløpsslangen ikke er riktig festet, kan det ikke garanteres sikker og korrekt drift av vaskemaskinen.

KOPLE APPARATET TIL STRØMFORSYNINGEN



⚠ Vent i minst 2 timer til vaskemaskinen når romtemperatur før den kobles til strømmettet.

Koble vaskemaskinen til en jordet stikkontakt. Etter installasjonen må stikkontakten være fritt tilgjengelig. Stikkontakten skal være utstyrt med jordkontakt (i samsvar med gjeldende forskrifter).

Informasjon om vaskemaskinen er angitt på typeskiltet.

⚠ Vi anbefaler å bruke overspenningsvern for å beskytte apparatet i tilfelle lynnedslag.

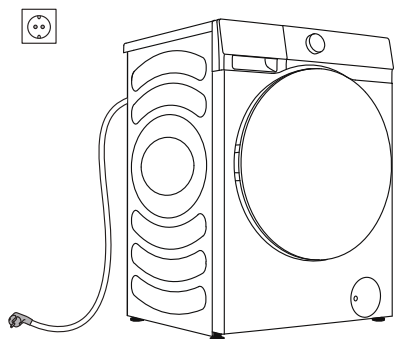
⚠ Vaskemaskinen kan ikke kobles til strømmettet med en skjøteledning.

- ⚡ Ikke koble vaskemaskinen til en stikkontakt beregnet for en elektrisk barbermaskin eller hårføner.
- ⚡ Ikke koble til eller koble fra apparatet når hendene er våte.
- ⚡ Enhver reparasjon og vedlikehold knyttet til sikkerhet eller ytelse bør utføres av kvalifiserte eksperter.
- ⚡ En skadet strømledning må kun skiftes ut av en person som er autorisert av produsenten.

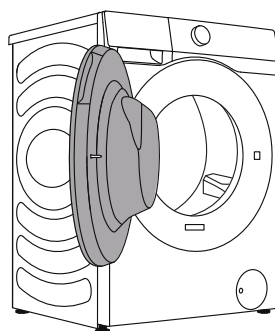
FØR APPARATET BRUKES FOR FØRSTE GANG

Sørg for at vaskemaskinen er koblet fra strømnettet; åpne deretter døren mot deg (figur 1 og 2).

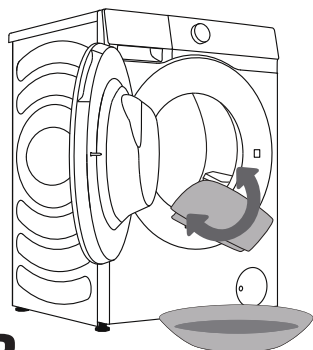
Før du bruker apparatet for første gang, rengjør du trommelen med en myk og fuktig bomullsklut eller bruker Rengjøring av trommel-programmet. Koble i så fall apparatet til strømnettet og åpne vannkranen. Det skal ikke være noe tøy i trommelen; trommelen skal være tom (figur 3 og 4).



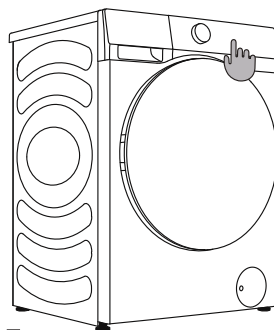
1



2



3



4

⚠ Ikke bruk løsemidler eller rengjøringsmidler som kan skade vaskemaskinen (følg anbefalingene og advarslene fra rengjøringsmiddelproduzentene).

VASKEPROSESS, TRINN FOR TRINN (1-6)

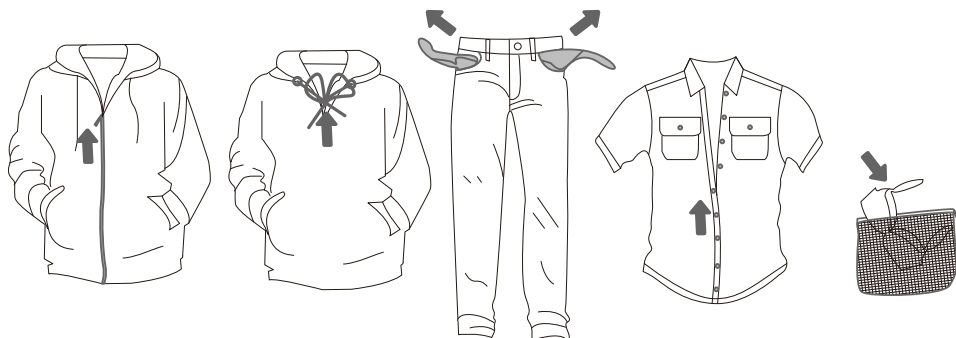
TRINN 1: FØLG MERKINGEN PÅ KLÆRNE

Normal vask; sensitiv klesvask	Maks. vaske-temperatur 95 °C 	Maks. vaske-temperatur 60 °C 	Maks. vaske-temperatur 40 °C 	Maks. vaske-temperatur 30 °C 	Kun håndvask 	Vaskes ikke
Bleking	Bleking i kaldt vann 			Bleking er ikke tillatt 		
Klesrens	Klesrens med alle typer midler 	Petroleums-løsningsmiddel R11, R113 	Rensing i parafin, ren alkohol og R113 	Klesrens er ikke tillatt 		
Stryking	Varm stryking, maks. 200 °C 	Varm stryking, maks. 150 °C 	Varm stryking, maks. 110 °C 	Kan ikke strykes 		
Tørrking	Tørkes flatt (plasser på en flat overflate) 	Drypptørkes 	Snortørkes 	Høy temperatur 	Lav temperatur 	
				Må ikke tørkes i tørketrommel 		

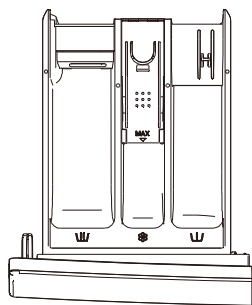
NO

TRINN 2: FORBEREDE VASKEPROSESSEN

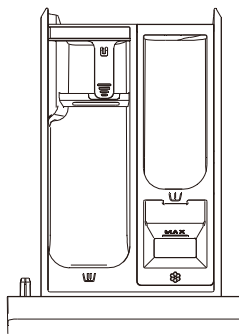
1. Sorter klesvasken etter stofftype, farge, tilsmussing, apparatmengde og tillatt vasketemperatur (se PROGRAMTABELLEN).
2. Lukk knapper og glidelåser, knyt eventuelle bånd og vring lommer. Fjern eventuelle metallklemmer som kan skade tøyet og vaskemaskinen innvendig, eller tette avløpet.
3. Legg svært sensitive klær og småting i en spesialvaskepose.



► TILSETTE VASKEMIDDEL/TØYMYKNER



Utforming ①



Utforming ②

Symboler for vaskemiddelbeholderen



forvask



hovedvask



tøymykner

(Vaskemiddelbeholderens utforming avhenger av modellen)

☞ Vi anbefaler å tilsette pulvervaskemiddel rett før vaskesyklusen. Hvis du tilsetter det tidligere, må du sørge for at vaskemiddelkammeret i dispenserbrettet er helt tørt før du tilsetter pulvervaskemiddelet. Hvis ikke kan pulvervaskemiddelet klumpes sammen før du starter vaskeprosessen.

☞ Hell tøymykneren i vaskemiddelbeholderen, i kammeret med symbolet ☼. Følg anbefalingen på tøymykneremballasjen.

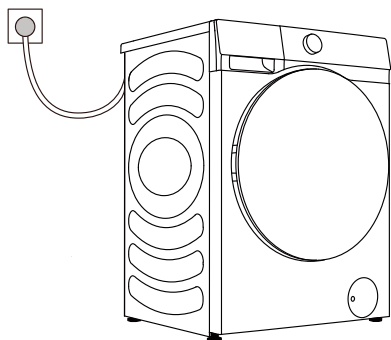
☞ Ikke fyll tøymyknerbeholderen over det angitte maksimale nivået. Ellers blir mykneren tilsatt tøyet for tidlig, noe som fører til dårligere vaskeeffekt.

☞ Oppbevar vaskemidler og tilsetningsstoffer utilgjengelig for barn.

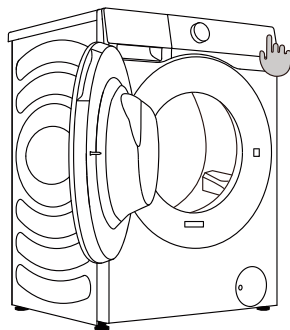
SLÅ PÅ VASKEMASKINEN

Bruk strømledningen til å koble vaskemaskinen til strømmettet, og koble vaskemaskinen til vannforsyningen.

Slå på apparatet ved å trykke på knappen «SLÅ PÅ/AV» (figur 1 og 2).



1



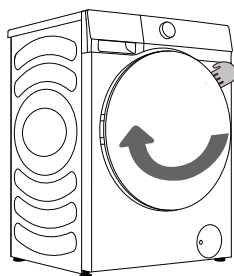
2

LEGG INN I VASKEMASKINEN

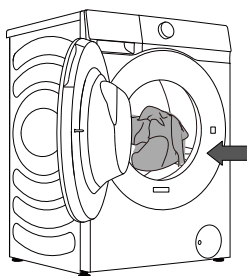
Åpne vaskemaskindøren ved å trekke håndtaket mot deg (figur 1).

Legg klærne inn i trommelen (etter å ha kontrollert at trommelen er tom) (figur 2).

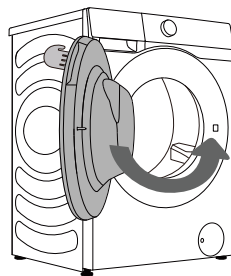
Lukk vaskemaskindøren (figur 3). Døren lukkes når du hører et klikk.



1



2



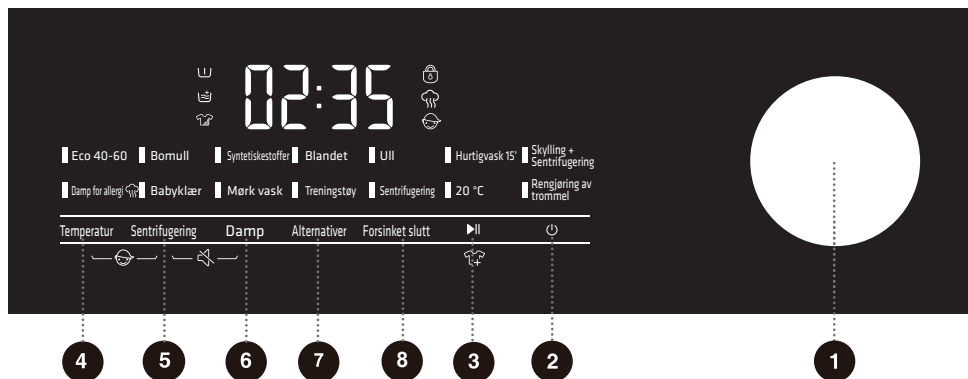
3

⚠ Prøv aldri å åpne døren med makt. Åpne heller ikke døren mens vaskemaskinen er i drift.


Ikke overbelast trommelen! Se PROGRAMTABELLEN og observer din nominelle last som angitt på typeskiltet.


Hvis vaskemaskintrommelen er for full, blir ikke tøyet vasket like grundig.

KONTROLLENHET




1 PROGRAMVELGER
Vri på skiven for å velge et program.

2 SLÅ PÅ/AV 
Trykk for å slå på/av maskinen.

3 START/PAUSE 
Start/pause hele maskinprogrammet.


4 TEMPERATUR
Trykk for å endre vanntemperaturen.

5 SENTRIFUGERING
Trykk for å endre sentrifugeringshastigheten for det gjeldende programmet.

6 DAMP 
Trykk for å velge Damp-funksjonen.

7 ALTERNATIVER
Trykk på denne knappen for å velge tilleggsfunksjoner.

8 FORSINKET SLUTT
Forsinket slutt lar deg angi sluttid for gjeldende syklus.

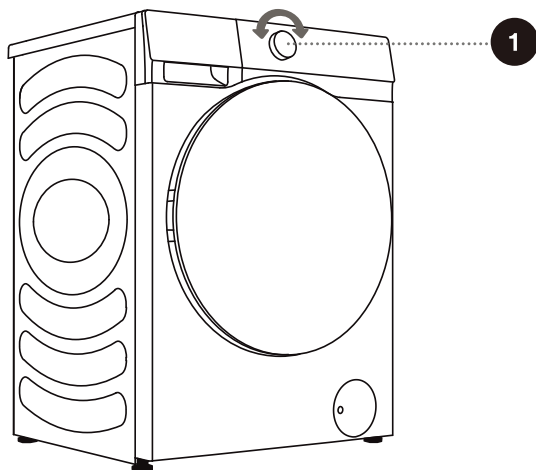
4+5 BARNESIKRING 
Trykk på disse to tastene samtidig for å aktivere eller deaktivere barnesikringsfunksjonen.

5+6 DEMP 

Trykk på disse to tastene samtidig for å slå av eller gjenopprette de akustiske signalene.

TRINN 3: VELGE VASKEPROGRAM

Velg program ved å dreie programvelgerknotten (1) til venstre eller høyre (avhengig av type tøy og hvor mye skittent det er). **Se programtabell.**



⚠ Under drift roterer ikke programvelgeren automatisk.

PROGRAMTABELL

Program	Maks. last	Maks sentrifugeringshastighet (o/min)	Programbeskrivelse
Eco 40-60 -	10 kg	1400	Normalt skittent bomullstøy.
Bomull (--, 20 °C, 30 °C, 40 °C, 60 °C, 90 °C)	10 kg	1400	Sterkt og moderat skitten bomull eller lin. For svært tilsmussede gjenstander, velges funksjonen «Forvask».
Syntetiskestoffer (--, 20 °C, 30 °C, 40 °C, 60 °C)	5 kg	1400	For stoffer som er laget av polyester (diolen, trevira), polyamid (perlon, nylon) eller lignende.
Blandet (--, 20 °C, 30 °C, 40 °C, 60 °C)	5 kg	1400	Blandede mengder moderat skitne bomull og syntetiske stoffer. Programmets kjøretid er 58 min når du velger 0 °C – 40 °C og 78 min når du velger 60 °C.
Ull (--, 20 °C, 30 °C, 40 °C)	2 kg	600	Programmet passer for maskinvaskbar ull.
Hurtigvask 15' (--, 20 °C, 30 °C, 40 °C)	2 kg	800	Programmet passer for bomull og blandede stoffer. Den passer for nytt eller lite arbeidstøy, vasketiden forlenges ved endring av standardinnstillingene.
Skylling + Sentrifugering -	10 kg	1400	Dette programmet er som standard satt til to skyllinger og sentrifugering.
Damp for allergi (60 °C)	2 kg	1400	Den er egnet for høytemperaturbestandige og mindre falmende stoffer, som fjerner allergener som pollen, midd og parasitter gjennom damp med høy temperatur.
Babyklær (40 °C, 60 °C, 90 °C)	2 kg	1400	Det er egnet for babyklær og undertøy osv., som steriliserer og desinfiserer gjennom damp med høy temperatur.
Mørk vask (--, 20 °C, 30 °C, 40 °C, 60 °C)	5 kg	1000	Egnet for maskinvaskbare klær i mørke farger.

Program	Maks. last	Maks sentrifugeringshastighet (o/min)	Programbeskrivelse
Treningstøy (-, 20 °C, 30 °C, 40 °C)	4 kg	1000	Programmet er egnet for sports- og fritidsklær laget av mikrofiberstoffer.
Sentrifugering -	10 kg	1 400	I dette programmet kan du velge varighet og sentrifugeringshastighet manuelt.
20 °C (20 °C)	10 kg	1 400	Programmet passer for bomullsklær med lette flekker, energisparende.
Rengjøring av trommel (90 °C)	/	800	Programmet brukes til å rengjøre trommelen. Det fjerner eventuelle rester av vaskemiddel og bakterier som kan samle og utvikle seg, spesielt når du bruker programmer med lave vasketemperaturer. Trommelen må være tom. Kjør dette programmet minst én gang i måneden.

MERK:

- 1) Vanntemperatur: Velg passende vanntemperatur for valgt vaskeprogram. Følg alltid plaggproduzentens pleieetikett eller instruksjoner når du vasker for å unngå skade på klærne.
- 2) Faktisk vanntemperatur kan avvike fra den oppgitte programtemperaturen.
- 3) Vaskeeffekten avhenger av vanntrykk, vannhardhet, vanninntakstemperatur, romtemperatur, type og mengde belastning, grad av tilsmussing brukt vaskemiddel, svingninger i hovedstrømforsyningen og valgte tilleggsalternativer.
- 4) Nøytralt (ikke-skummende) vaskemiddel anbefales.
- 5) Hvis du legger inn en betydelig mengde tøy under vaskingen, kan tøyet bli vasket mindre effektivt siden vaskemaskinen i utgangspunktet registrerte en lavere tøyvekt og tilsatte en mindre mengde vann. Utilstrekkelig mengde vann i forhold til tøymengden kan også forårsake skade på tøyet (gnidning av tørt tøy), og vasketiden kan bli lengre.

☹: Maksimal mengde tøy for vask, i kg (for bomullsprogrammet), er angitt på typeskiltet.

☹: Maksimal eller nominell belastning gjelder for tøy som er forberedt i henhold til IEC 60456-standarden.

☹: For bedre vaskeeffekt, anbefaler vi å fylle trommelen til 2/3 når du bruker bomullsprogrammene.

VALG AV VASKEMIDDEL OG TILSETNING

Velg alltid høyeffektive vaskemidler som ikke skummer og som er beregnet på frontmatede apparater.

Valget av vaskemiddel avhenger av type, smussnivå, tøyets farge og vasketemperatur.

☹️ Hvite rester (streker osv.) på svart tøy kan vises hvis du bruker moderne fosfatfrie vaskemidler. Børst i så fall bort stripene og bruk et flytende vaskemiddel.

Bruk kun vaskemiddel beregnet på apparater til husholdningsbruk.

Avkalkingsmidler kan skade apparatet. Ikke vask klær som er rengjort med løsemidler eller brennbare stoffer.

Følg produsentens instruksjoner om dosering av vaskemiddel.

For mye vaskemiddel kan føre til skumdannelse som igjen svekker vaskeeffektiviteten. Hvis apparatet registrerer overdreven skumdannelse, kan det forhindre sentrifugesyklusen. Hvis mengden vaskemiddel er for liten, kan det hende at tøyet ikke lenger er hvitt etter en stund. Det kan også føre til opphopning av kalk i trommelen og rørene.

TRINN 4: VELGE YTTERLIGERE INNSTILLINGER OG FUNKSJONER

De fleste programmer har grunnleggende innstillinger, men disse innstillingene kan endres.

Juster innstillingene ved å trykke på den aktuelle funksjonsknappen (før du trykker på START/PAUSE-knappen).

• Aktiv/deaktiver funksjonene ved å trykke på ønsket funksjon (før du trykker på START/PAUSE-knappen).

• Enkelte innstillinger kan ikke velges med enkelte programmer. Slike innstillinger vil ikke lyse, og når den tilsvarende knappen trykkes inn avgis et akustisk signal (se FUNKSJONSTABELL).

Tilleggsinnstillingene og funksjonene kan bare stilles inn i standby-modus for det aktuelle programmet, det vil si før programmet starter. Det kan ikke velges etter at programmet har kjørt.



2 Slå på/av

For å slå på/av vaskemaskinen.

Når vaskemaskinen er i standby, trykker du på og holder inne av/på-tasten for å gå inn i avslåingstilstand.

Hvis ingen operasjon utføres innen 2 minutter i Standby-modus, eller i grensesnittet for programslutt eller påminnelse for vask på nytt, slår vaskemaskinen seg av automatisk.

I avslått tilstand er alle skjermer og utganger av, og eksternt oppstart støttes ikke.

3 Start/pause

For å starte et program eller suspendere et kjørende program.

Hvis maskindøren ikke er lukket eller dørlåsen ikke er aktivert, starter ikke vaskemaskinen og en alarm vises på skjermen.

Etter at et program er startet, eller når pausetilstanden er valgt, kan ikke de innstilte funksjonene og parametrene endres. Trykk og hold inne strømknappen for å slå av maskinen, og start den deretter på nytt for å tilbake stille parameteren.



4 Temperatur

Endre temperaturen for det valgte programmet.

Hvert program har en forhåndsinnstilt temperatur som kan endres ved å trykke på TEMP-posisjonen. (--indikerer kald vask).

Temperaturen vises på skjermenheten over knappen.

5 Sentrifugering

Bruk denne til å justere sentrifugeringshastigheten. Med forhåndsinnstilt eller valgt sentrifugeringshastighet, lyser den valgte sentrifugeringshastigheten på skjermenheten.

6 Damp

Trykk for å legge til «Damp»-funksjon, trykk to ganger for å avbryte funksjonen, og kjør i rekkefølge.

Programmer med dampikonet «☁» kan bruke dampfunksjonen. Damp for allergi- og Babyklær-programmene bruker dampfunksjonen som standard, og den kan ikke deaktiveres.

7 Alternativer

I standby-tilstand, trykker du på «Alternativer»-knappen for å velge tilleggsfunksjon for det gjeldende programmet. Velg kun én funksjon for hvert trykk, deretter blinker det tilsvarende ikonet. Etter oppstart kan ikke programmet endres.

Forvask

Velg denne funksjonen for å utføre forvask for å forbedre vaskeeffekten og bedre fjerne flekker. Denne funksjonen er egnet for svært skitne klær.

Når du velger forvask-funksjonen, tilsetter du vaskemiddel i forvaskkammeret på vaskemiddelbeholderen.

Ekstra skyling

Etter at funksjonen for ekstra skyling er angitt, kjører programmet skylleprosessen én gang til før oppmykningen kjøres. Den totale kjøretiden for programmet øker tilsvarende.

Intensiv

Denne funksjonen kan brukes til å øke den intensive vasketiden og øke vaskeintensiteten.



8

Forsinket slutt

Bruk denne funksjonen til å planlegge vask på et passende tidspunkt.

Trykk på denne knappen for å stille inn forsinkelsestid. Denne knappen er kun gyldig i Standby-modus. Etter at funksjonen Forsinket slutt er valgt, øker tiden med 1 time hver gang det trykkes på knappen med Forsinket slutt. Maksimalt valgbart tidsintervall er 24 timer.

Tiden for Forsinket slutt er sluttiden, det vil si at den inkluderer vasketiden. Tiden for Forsinket slutt må være større enn vasketiden. Basert på innstillingene dine, bestemmes starttiden for syklusen av maskinens interne logikk. Trykk for å velge en forhåndsinnstilt timeenhet.

Når reservasjonsprosessen er i gang, vil ikonet for «reservasjonstid» være på.

Når reservasjonsprosessen er fullført, vil ikonet for «reservasjonstid» være av.

Hvis funksjonen Forsinket slutt ble valgt før du startet et program, kan den avbrytes ved å trykke på en vilkårlig annen funksjonsknapp. Når programmet har startet, må du trykke og holde inne av/på-knappen for å slå av og starte maskinen på nytt for å avbryte funksjonen Forsinket slutt.



4 + 5 **Barnesikring**

Dette er en sikkerhetsfunksjon. For å aktivere den, trykker du samtidig på «Temperatur + Sentrifugering»-knappene i 2 sekunder. Barnesikringsikonet lyser opp, deretter er barnesikring aktivert. Gjenta den samme operasjonen og barnesikringen frigjøres. Når barnesikringen er aktivert, skjermes funksjonsknappene med unntak av på/av-funksjonen. Når programmet er fullført, låses barnesikringen opp automatisk.


5 + 6 **Demp**

Bruk denne for å slå av eller gjenopprette de akustiske signalene.

Når maskinen er i tilstandene holde, pause eller betjene, trykker du på «Sentrifugere + Damp»-knappene i 2 sekunder, og skjermen viser «bEEP oFF»-ikonet. All summing slås av bortsett fra alarmene.

Når maskinen er i demp-tilstand, gjentar du den samme operasjonen til skjermen viser «bEEP on»-ikonet. All summing aktiveres.

Dørlås

Når programmet har startet, lyser dørlåsesikonet «» og dørlåsen aktiveres. Ikke tving døren å åpne på dette tidspunktet for å unngå skade.

Hvis opplåsningsbetingelsene er oppfylt når maskinen er satt på pause eller etter at programmet er avsluttet, utløses dørlåsen automatisk og lyset på dørlåsesikonet er av.

FUNKSJONSTABELL

PROGRAMMER	VASKEMIDDELKAMMER			TEMPERATUR	SENTRIFUGERING	DAMP	FORVASK	EKSTRA SKYLLING	INTENSIV	FORSINKET SLUTT	BARNESIKRING	DEMP
	FORVASK	HOVEDVASK	TØYMYKNER									
Eco 40-60	-	✓	•	-	•	-	-	-	-	•	•	•
Bomull	✓	✓	•	•	•	•	•	•	•	•	•	•
Syntetiskestoffer	✓	✓	•	•	•	•	•	•	•	•	•	•
Blandet	✓	✓	•	•	•	-	•	•	•	•	•	•
Ull	-	✓	•	•	•	-	-	•	-	•	•	•
Hurtigvask 15'	-	✓	•	•	•	-	-	•	-	•	•	•
Skylling + Sentrifugering	-	-	•	-	•	-	-	•	-	•	•	•
Damp for allergi	✓	✓	•	-	•	○	•	•	•	•	•	•
Babyklær	✓	✓	•	•	•	○	•	•	•	•	•	•
Mørk vask	✓	✓	•	•	•	-	•	•	•	•	•	•
Treningsstøy	✓	✓	•	•	•	-	•	•	•	•	•	•
Sentrifugering	-	-	-	-	•	-	-	-	-	•	•	•
20 °C	✓	✓	•	-	•	-	•	•	•	•	•	•
Rengjøring av trommel	-	-	-	-	-	-	-	-	-	•	•	•

- Valgfrie funksjoner
- Kan ikke velges
- ✓ Vaskemiddel kreves
- Funksjonen kan ikke avbrytes

TIDSOPTIMALISERING UNDER PROGRAMPROSESSEN

I den tidlige fasen av vaskeprogrammet bruker vaskemaskinen avansert teknologi for å registrere tøymengden. Etter lastdeteksjon justerer vaskemaskinen programmets varighet.


TRINN 5: STARTE VASKEPROGRAMMET


Når du har valgt program og tilleggsfunksjoner og tilsatt vaskemiddelet i vaskemiddelkammeret, trykker du på **START/PAUSE**-knappen.





Etter å ha trykket på **START/PAUSE**-knappen, kan barnesikringen aktiveres eller deaktiveres og lydsignalet kan stilles inn. Andre innstillinger kan imidlertid ikke endres.

Når programmet starter, vises «----» på skjermen for å indikere at tøyet veies. Programvarighet (timer: minutter) justeres automatisk i henhold til tøyetts vekt.

Etter programmets start, viser Dørlås «» på skjermenheten. Ikonet forsvinner når programmet er fullført.

Dersom du trykker på **START/PAUSE**-knappen under programdriften og alle betingelser er oppfylt for at du kan åpne døren, vises også «».

Dersom «» blinker, betyr det at døren ikke kan åpnes. I slike tilfeller må du ikke forsøke å åpne døren med makt.

 Hvis noe blinker på skjermen, er vaskemaskindøren åpen eller ikke lukket riktig. Lukk vaskemaskindøren og trykk på **START/PAUSE**-knappen igjen for å gjenoppta vaskeprogrammet.

TRINN 6: SLUTTEN AV VASKEPROGRAMMET

Et lydsignal indikerer slutten av vaskeprosessen, og skjermen viser «End». Apparatet slås av automatisk hvis du ikke utfører noen handlinger innen 2 minutter.



1. Åpne vaskemaskindøren.
2. Ta ut tøyet fra trommelen.
3. Lukk døren!
4. Steng av vannforsyningskranen.
5. Koble strømledningen fra stikkkontakten.

GÅ INN I ETTERSALGS SPØRRINGSMODUS

1. I AV-modus, trykker du på «Temperatur» + «Damp» + "⏻" for å gå inn i spøringsmodus.
2. Den viser antall driftssykluser.
3. Trykk på «Damp» for å bytte syklus eller feilkoder.
4. Når du spør etter feilkoder, trykker du på «Temperatur» for side opp og «Sentrifugering» for side ned.
5. Trykk på «⏻»-knappen i 3 sekunder for å avslutte spøringsmodus.

AVBRUDD OG ENDRING AV PROGRAMMET

ENDRE VASKEPROGRAM

For å stoppe og avbryte et vaskeprogram, trykker du på knappen «SLÅ PÅ/AV» i 2 sekunder. For å velge et nytt program, velger du programmet ved å dreie på knotten og velge ekstra funksjoner. Trykk på start/pause-knappen uten å tilsette vaskemiddelet igjen.

MANUELT AVBRUDD

For å stoppe og avbryte et vaskeprogram, trykker du på knappen «SLÅ PÅ/AV» i 2 sekunder.

PAUSEKNAPP

Vaskeprogrammet kan alltid stoppes ved å trykke på START/PAUSE-knappen. Vaskeprogrammet stoppes midlertidig når gjenværende tid blinker på skjermenheten. Hvis det ikke er vann i trommelen og vanntemperaturen ikke er for høy, låses døren opp og kan åpnes. For å gjenoppta vaskeprogrammet, lukker du først døren og trykker deretter på START/PAUSE-knappen.

LEGG TIL / TA UT VASK UNDER VASKEMASKINENS DRIFT

Under en pause vil tiden på skjermen blinke. Hvis betingelsene er oppfylt, løses dørlåsen automatisk ut slik at du kan åpne døren for å legge til eller ta ut klær. Dersom vilkårene for å åpne døren ikke er oppfylt, kan ikke døren åpnes.

Etter å ha lagt til klær midtveis, trykker du på start/pause-knappen og vaskeprogrammet fortsetter å kjøre.

⚠ Hvis du legger inn en betydelig mengde tøy under vaskingen, kan tøyet bli vasket mindre effektivt siden vaskemaskinen i utgangspunktet registrerte en lavere tøyvekt og tilsatte en mindre mengde vann. Utilstrekkelig mengde vann i forhold til tøymengden kan også forårsake skade på tøyet (gnidning av tørt tøy), og vasketiden kan bli lengre.

⚠ Vasketiden gjenopptas fra det tidspunktet da vaskeprogrammet ble avbrutt.

⚠ Når programmet er suspendert i sentrifugeringstilstand og deretter startet på nytt, vil det kjøre igjen fra den opprinnelige sentrifugeringstilstanden.

FEIL

Ved feil blir programmet avbrutt.

Blinkende signallys og et akustisk signal varsler om en slik hendelse (se FEILSØKINGSTABELLEN), og feilen vises på skjermen (F:XX).

FEIL VED STRØMFORSYNING

Ved strømavbrudd avbrytes vaskeprogrammet. Når strømforsyningen er gjenopprettet, gjenopptas programmet i det stadiet det ble avbrutt.

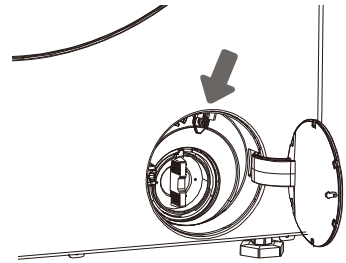
NØDÅPNING AV DØR

⚠ Hvis det fremdeles er vann i maskinen etter et strømbrudd, må du sørge for å ikke åpne døren før du manuelt tømmer vannet fra maskinen via pumpefilteret.

Ved manglende åpning av døren på grunn av strømbrudd eller andre spesielle omstendigheter, kan dørlåsspaken ved dreneringspumpedøren brukes til nødåpning.

Merk:

1. Ikke bruk når maskinen fungerer normalt;
2. Før bruk, må du sørge for at den indre sylindren har stoppet å spinne, ikke har høy temperatur og at vannstanden er lavere enn klesinntaket. Hvis vannivået er høyere enn klesmengden, tømmer du ut vannet gjennom avløpsrøret (hvis tilgjengelig) eller ved å skru av filteret sakte.
3. Driftsmetode: Åpne dekelet til dreneringspumpedøren og trekk ned låsespaken ved hjelp av et verktøy. Deretter kan døren åpnes (angitt på figuren).



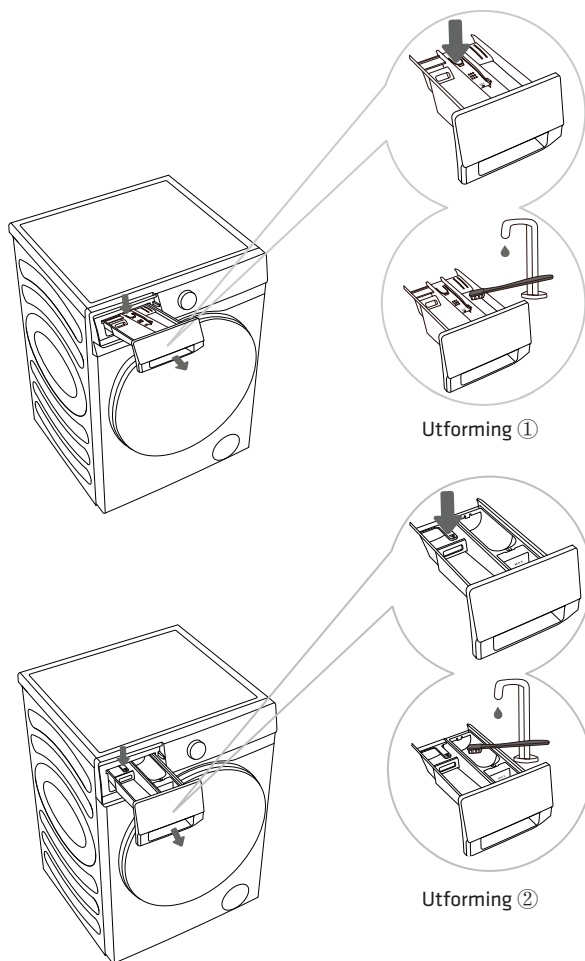
VEDLIKEHOLD OG RENGJØRING

 **Koble vaskemaskinen fra strømmettet før rengjøring.**

 Barn bør ikke rengjøre vaskemaskinen eller utføre vedlikeholdsoppgaver uten tilsyn!

RENGJØRING AV VASKEMIDDELKAMMERET

 Rengjør vaskemiddelkammeret regelmessig.



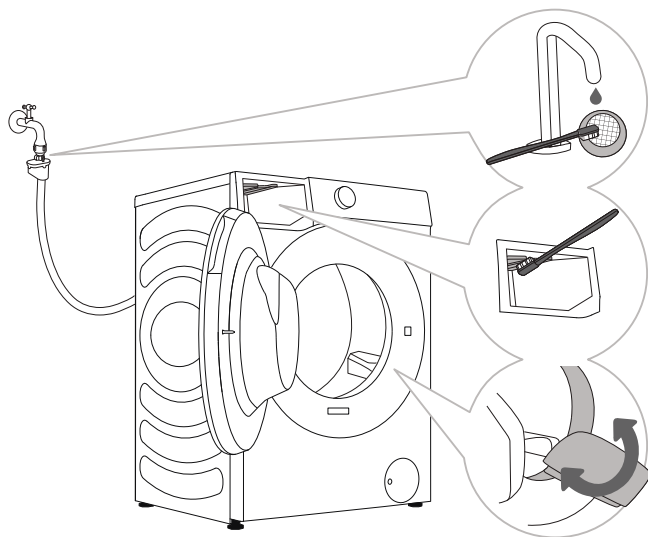
1 Trykk på den lille tappen for å fjerne vaskemiddelkammeret.

2 Rengjør vaskemiddelkammeret under rennende vann med en børste, og tørk den. Fjern også rester av vaskemiddel. Fjern tøymykerinnsatsen fra vaskemiddelkammeret. Vask alle delene under rennende vann, sett tøymykerinnsatsen inn i vaskemiddelkammeret og sett den inn i maskinen igjen.

NO

 Ikke vask vaskemiddelbeholderen i en oppvaskmaskin.

RENGJØRING AV VANNFORSYNINGSSLANGEN, HUSET TIL VASKEMIDDELDISPENSEREN OG GUMMIDØRPAKNINGEN

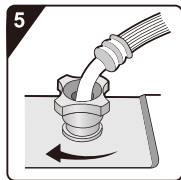
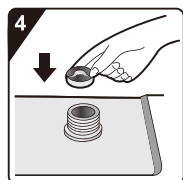
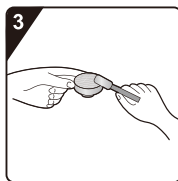
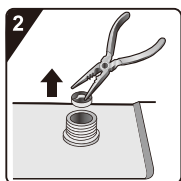
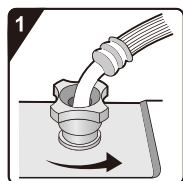


1 Rengjør nettfilteret ofte under rennende vann.

2 Bruk en børste for å rengjøre hele vaskemiddelbeholderdelen, spesielt dysene på oversiden.

3 Etter hver vask, tørker du av gummidørpakningen for å forlenge levetiden.

JEVNLIG RENGJØRING AV VANNINNTAKSFILTERET



1 Steng kranen og skru av innløpsslangen på baksiden av apparatet.

2 Trekk av nettfilteret fra apparatilkoblingen med en universaltang.

3 Rengjør det interne nettfilteret.

4 Monter nettingfilteret igjen.

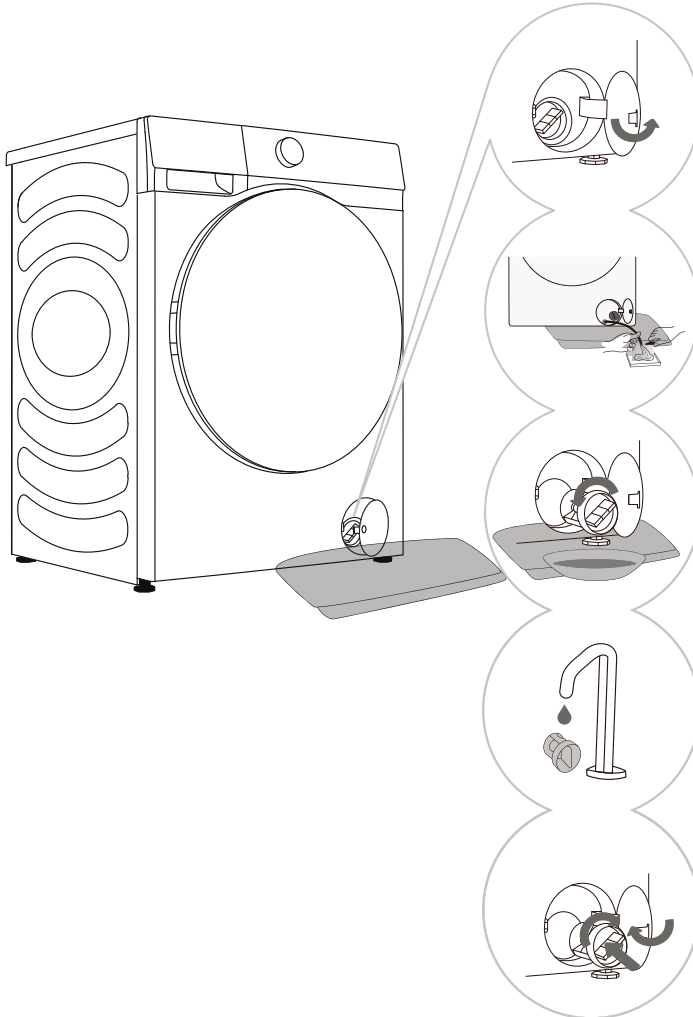
5 Skru på innløpsslangen. Skru på kranen og sørg for at koblingene er helt vanntette.

☞ Vanninntaksfilteret samler opp kalk eller andre sedimenter som kan være i vann som tilføres apparatet. Rengjør innløpsfilteret hver sjetten måned eller oftere, hvis vannet er veldig hardt eller inneholder spor av kalk.

RENGJØRING AV PUMPEFILTERET

☼ Under rengjøring kan det søles litt vann. Det anbefales derfor å legge en absorberende klut på gulvet.

Sørg for at vannet er avkjølt før du slipper det ut av maskinen.



1 Åpne pumpefilterlokket.

Utforming 1: Trykk på dørdekslet og åpne det automatisk.

Utforming 2: Åpne pumpens filterhette med et egnet verktøy. Utformingen avhenger av modellen.

2 Legg et håndkle under filterdøren.

Hvis maskinen har et nødavløpsrør, trekker du ut nødavløpsrøret fra maskinen. Plasser enden av nødavløpsrøret i en beholder.

Hvis maskinen ikke har et nødavløpsrør, plasserer du en beholder under pumpefilteret. Utformingen avhenger av modellen.

Drei på nødavløpsrørpluggen. Fjern den etter at den har løsnet til vannet renner naturlig av. Installer nødavløpsrørpluggen igjen.

3 Roer pumpefilteret sakte mot klokken.

Trekk ut og fjern pumpefilteret.

4 Rengjør pumpefilteret under rennende vann.

5 Skift ut pumpefilteret som vist på figuren og fest det ved å rotere med klokken. For god tetning bør filterpakningens overflate være ren.

☼ Pumpefilteret må rengjøres tidvis, spesielt etter vask av svært ullete, ullent eller veldig gammelt tøy.

☼ Rengjør også pumpefilteret hvis apparatet ikke kan starte sentrifugeringssyklusen eller når dersom det er rusk i pumpen (knapper, mynter, hårnåler, klips osv.).

UTVENDIG RENGJØRING AV VASKEMASKINEN

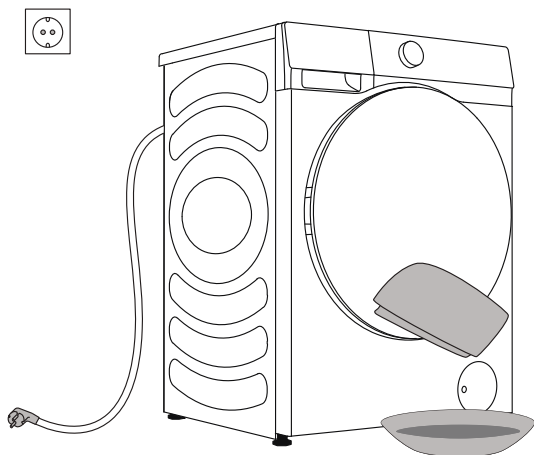
⚠ Koble alltid vaskemaskinen fra strømmettet før rengjøring.

Rengjør vaskemaskinens utside og skjermenheten med en myk fuktig bomullsklut og vann. Bruk deretter en myk, tørr klut til å tørke apparatet.

⚠ Ikke bruk løsemidler, skurende rengjøringsmidler eller rengjøringsmidler som kan skade apparatet (følg anbefalingene og advarslene på rengjøringsmidlet).

Tørk hvis nødvendig av apparatdøren med en fuktig klut, og tørk deretter med en tørr myk klut.

💧 Ikke rengjør vaskemaskinen med en vannstråle!



FEILSØKING

DETTE SKAL GJØRES

Vaskemaskinen skal automatisk kontrollere driften av bestemte funksjoner under vaskesyklusen. Hvis det oppdages uregelmessigheter, identifiseres dette ved å vise (F:XX) på skjermen. Vaskemaskinen melder feilen til den slås av. Forstyrrelser fra miljøet (f.eks. strømnettet) kan føre til ulike feilmeldinger (se FEILSØKINGSTABELLEN). I slike tilfeller:

- Slå av vaskemaskinen og vent i noen sekunder.
- Slå på vaskemaskinen og gjenta vaskeprogrammet.
- De fleste feil under drift kan løses av brukeren (se FEILSØKINGSTABELLEN).
- Ring en autorisert serviceenhet hvis feilen vedvarer.
- Reparasjoner bør kun utføres av en person med tilstrekkelig opplæring.
- Reparasjoner eller garantikrav som følge av feil tilkobling eller bruk av vaskemaskinen dekkes ikke av garantien. I slike tilfeller skal kostnadene ved reparasjon belastes brukeren.

⚡ Garantien dekker ikke feil eller feil som skyldes forstyrrelser fra miljøet (lynneslag, strømbrydd, naturkatastrofer osv.).

FEILSØKING OG FEILTABELL

Problem/feil	Indikasjon på skjermenheten og problembeskrivelse	Dette skal gjøres
F01	Vanntilløpsfeil	Kontroller følgende: <ul style="list-style-type: none"> • Er vannkranen åpen og er trykket for lavt? • Er vanntilførselsslangen i klem? • Er filteret på vanntilførselsslangen tett • Er slangen frosset? Trykk på «start/pause»-knappen igjen etter ekskludering.
F03	Dreneringsfeil	Kontroller følgende: <ul style="list-style-type: none"> • Er slangen i klem, renner vannet gjennom den? • Er filteret på avløpsslangen tett • Er slangen frosset? Trykk på «start/pause»-knappen igjen etter ekskludering.
F04/F05/F06/F07/F23	Elektronisk modulfeil	Slå av apparatet; trykk på «slå på/av» i 2 sekunder. Trykk på «start/pause»-knappen igjen. Ring en servicetekniker hvis feilen vedvarer.
F24	Vannstanden når overløpsnivå	Stopp programmet ved å trykke på «start/pause»-knappen. Start programmet på nytt. Hvis apparatet fortsetter å pumpe vann inn i karet, stenger du vannkranen og tilkaller en servicetekniker.
F13	Feil ved låsing av døren	Døren er lukket men den kan ikke låses. Slå av vaskemaskinen. Slå den på igjen og start vaskeprogrammet på nytt. Ring en servicetekniker hvis feilen vedvarer.
F14	Feil ved låsing av døren	Døren er lukket men den kan ikke låses opp. Slå av apparatet og slå det på igjen. Ring en servicetekniker hvis feilen vedvarer.
Unb	Ubalansealarm	Ubalansealarm kan løses ved hjelp av følgende metoder <ol style="list-style-type: none"> 1. Klesvaskens vikling Trykk på «slå på/av» i 2 sekunder for å slå av vaskemaskinen, åpne døren, rist klærne og legg dem tilbake i vaskemaskinen. Velg deretter enkelt avvanningsprogrammet for å prøve igjen. 2. For lett tøy Trykk på «slå på/av» i 2 sekunder for å slå av, åpne døren, legg i ett eller to håndklær, og velg så det enkle avvanningsprogrammet for å prøve igjen.

ANBEFALINGER FOR VASKING OG ØKONOMISK BRUK AV VASKEMASKINEN

Vask nye fargede plagg separat første gang.

Vask sterkt skittent tøy i mindre mengder, med mer pulvervaskemiddel eller med forvask.

Påfør en spesiell flekkfjerner på vanskelige flekker før vask. Vi anbefaler å se TIPS FOR FLEKKFJERNING.

Hvis du ofte vasker tøy på lave temperaturer og med flytende vaskemidler, kan det skape bakterier som kan forårsake lukt i vaskemaskinen. For å forhindre slik lukt anbefaler vi å tidvis kjøre Rengjøring av trommel.

Vi anbefaler å unngå å vaske svært små mengder tøy, siden dette fører til overdreven energibruk og dårligere vaskemaskintytelse.

Løse eventuelt brett tøy før du legger det i trommelen.

Bruk kun vaskemidler til maskinvask.

Tilsett pulver eller flytende vaskemidler som instruert av produsenten, i henhold til vasketemperaturen og valgt vaskeprogram.

Når du bruker høykonsentrerte vaskemidler, benytter du spesialdoseringskopper (følger med vaskemiddelet) og plasser det direkte i trommelen.

Hvis vannets hardhet overstiger 14°dH, bør de benyttes vannmykner. Varmeskader som følge av feil bruk av vannmyknere skal ikke dekkes av garantien. Kontroller informasjonen om vannhardhet med ditt lokale vannforsyningselskap eller myndighet.

Bruk av klorbaserte blekemidler anbefales ikke da de kan skade varmeren.

Hvis du bruker et avkalkingsmiddel, blekemiddel eller fargestoff, må du kun bruke en type som er egnet for bruk i apparatet.

Ikke bruk løsemidler eller lignende kjemikalier (f.eks. malingstynner, terpentin, bensin osv.)!

Ikke legg herdede klumper av vaskemiddel i vaskemiddelbeholderen, siden dette kan tette rørene i vaskemaskinen.

Når du bruker tykke, flytende tøypleieprodukter, anbefaler vi å fortynde dem med vann for å unngå å tette avløpet til vaskemiddelkammeret.

Flytende vaskemidler er beregnet på vaskeprogrammer uten forvask.

TIPS FOR FLEKKFJERNING

Før du bruker spesielle flekkfjernere, kan du prøve å bruke de naturlige metodene som ikke skader miljøet på mindre vanskelige flekker.

Det er imidlertid nødvendig med rask handling! Bløtlegg flekken med en absorberende svamp eller et papirhåndkle; skyll deretter med kaldt (lunkent) vann – men aldri med varmt vann!

Flekker	Fjerning av flekker
Jord	Når flekken er tørr, skraper du den først av plagget før du vasker den i vaskemaskinen. Hvis flekken er gjenstridig, bløtlegg den med en enzymbasert flekkfjerner før vask. Hvis flekken ikke er vanskelig, vasker du tøyet med flytende vaskemiddel eller pulvervaskemiddel og vann før vask.
Antiperspirant	Påfør flytende vaskemiddel på tøyet før du vasker i vaskemaskinen. Påfør flekkfjerner på eventuelle vanskelige flekker. Alternativt kan du bruke oksygenbasert blekemiddel til vask.
Te	Bløtlegg eller skyll tøyet i kaldt vann og tilsett flekkfjerner hvis nødvendig.
Sjokolade	Bløtlegg eller skyll tøyet med lunke såpevann. Påfør deretter sitronsaft og skyll.
Blekk	Påfør flekkfjerner på flekken før du vasker i vaskemaskinen. Du kan også bruke denaturert alkohol. Vreng plagget og legg et papirhåndkle under flekken. Bruk alkoholen på baksiden av flekken. Skyll plagget grundig på slutten av prosessen.
Filtpenner	Fortynn litt stivelse i vann og påfør det på flekken. Når det tørker, skrap det av med en børste; deretter vasker du plagget i vaskemaskinen.
Babymat (urin, jord, matflekker)	Før vask i vaskemaskin, bløtlegges flekkene i lunke vann i minst en halvtime. Tilsett en enzymbasert flekkfjerner for enklere flekkfjerning.
Gress	Før vask i vaskemaskin, bløtlegger du tøyet i en enzymbasert flekkfjerner. Gressflekker kan også fjernes ved å bløtlegge (i ca. 1 time) i fortynnet sitronsaft eller destillert eddik.
Egg	Bløtlegg plagget i en enzymbasert flekkfjerner. Bløtlegg i kaldt vann i minst 30 minutter eller noen timer hvis flekkene er vanskelige. Vask deretter i vaskemaskinen.
Kaffe	Bløtlegg plagget i saltvann. Hvis flekken ikke er ny, bløtlegges den med en blanding av glyserin, ammoniak og alkohol.
Skokrem	Påfør matolje på flekken og skyll.

Flekker	Fjerning av flekker
Blod	Ny flekk – skyll plagget med kaldt vann og vask det i vaskemaskinen. Tørket flekk – bløtlegg plagget i en enzymbasert flekkfjerner. Vask deretter i vaskemaskinen. Hvis flekken ikke forsvinner, kan du forsøke å fjerne den med et blekemiddel som passer for plagget ditt.
Lim, tyggegummi	Legg plagget i en pose og legg det i fryseren til flekken stivner. Fjern den deretter med en sløv kniv. Fortynn deretter flekken med en flekkfjerner for forvask og skyll grundig. Vask deretter tøyet som vanlig.
Sminke	Bruk en flekkfjerner til forvasken, vask deretter i vaskemaskinen.
Smør	Påfør flekkfjerner på flekken før du vasker i vaskemaskinen. Skyll deretter med varmt vann (så varmt som stoffet tillater).
Melk	Bløtlegg plagget i en enzymbasert flekkfjerner. Bløtlegg i minst 30 minutter eller noen timer hvis flekkene er vanskelige. Vask deretter i vaskemaskinen.
Fruktjuice	Påfør en blanding av salt og vann på flekken. La virke en stund, og skyll deretter. Du kan bruke natriumbikarbonat, destillert eddik eller sitronsaft på flekken før du vasker i vaskemaskinen. Bruk glyserin på gamle flekker. Etter 20 minutter skyller du med kaldt vann, før tøyet vaskes i vaskemaskinen.
Vin	Bløtlegg tøyet i kaldt vann i minst 30 minutter. Bruk også en flekkfjerner. Vask deretter i vaskemaskinen.
Voks	Legg plagget i fryseren til voksen stivner. Skrap den deretter av. Fjern den resterende voksen ved å legge et papirhåndkle på flekken, og varm den opp med et strykejern til papiret absorberer voksen.
Svette	Før du vasker i vaskemaskinen, gnir du flytende vaskemiddel grundig inn i flekken.

TABELL OVER TYPISK FORBRUK

Programinstruksjoner

1. Eco 40-60-programmet er i stand til å rengjøre normalt skittent bomullstøy som er erklært vaskbart ved ca. 40 °C til 60 °C sammen i samme syklus, og at dette programmet brukes til å vurdere samsvar med EUs lovgivning om økodesign.
2. Strømforbruket til av-modus er 0,49W.
3. De mest effektive programmene når det gjelder energiforbruk er generelt de som yter ved lavere temperaturer og lengre varighet.
4. Oppfylling av husholdningsvaskemaskinen opp til kapasiteten angitt av produsenten for de respektive programmene, bidrar til energi- og vannbesparelser.
5. Riktig bruk av vaskemiddel, tøyemyknere og andre tilsetningsstoffer. Ikke bruk for mye vaskemiddel. Dette kan påvirke vaskeresultatet negativt.
6. Periodisk rengjøring, inkludert optimal frekvens, kalkforebygging og prosedyre.
7. Støy og gjenværende fuktighetsinnhold påvirkes av sentrifugehastigheten. Jo høyere sentrifugehastighet i sentrifugefasen, desto høyere støy og lavere gjenværende fuktighetsinnhold.
8. Produktinformasjonen og QR-koden gjenspeiles av energiforbruksetiketten. Produktregistreringsinformasjonen kan fås ved å skanne QR-koden.
9. Informasjon om standardprogrammer.

Program	Valgt temperatur (°C)	Nominell kapasitet (kg)	Maksimal temperatur i trommel (°C)	Programvarighet (t: min)	Energiforbruk (kWh/syklus)	Vannforbruk (liter/syklus)	Gjenværende fuktighetsinnhold (%)	Maksimal hastighet nådd (o/min)
Eco40-60 full last	-	10,0	31	3:59	0,680	62,0	53,00	1400
Eco40-60 halv last	-	5,0	26	3:00	0,410	47,0	53,00	1400
Eco40-60 1/4 last	-	2,5	24	2:20	0,230	34,0	55,00	1400
20 °C	20	10,0	20	1:50	0,250	100,0	56,00	1400
Bomull	60	10,0	58	3:29	2,280	130,0	56,00	1400
Syntetiske-stoffer	40	5,0	40	2:23	1,000	82,0	38,00	1400
Hurtigvask 15'	20	1,0	20	0:15	0,060	33,0	65,00	800

Verdiene som er gitt for andre programmer enn Eco 40-60-programmet er kun veiledende.

☼ Maksimal eller nominell belastning gjelder for tøy som er forberedt i henhold til IEC 60456-standarden.

⚠ På grunn av avvik med hensyn til type og mengde tøy, sentrifugering, strømforsyningssvingninger, omgivelsestemperatur og fuktighet, kan programvarighet og strømforbruksverdier målt hos sluttbrukeren avvike fra de som er angitt i tabellen.

Vi tar forbehold om eventuelle endringer og feil i bruksanvisningen.

Power International AS,
Postboks 523, N-1471 Lørenskog, Norge

Power Norge:
<https://www.power.no/kundeservice/>
T: 21 00 40 00

Power Danmark:
<https://www.power.dk/kundeservice/>
T: 70 33 80 80

Punkt 1 Danmark:
<https://www.punkt1.dk/kundeservice/>
T: 70 70 17 07

Power Finland:
<https://www.power.fi/tuki/asiakaspalvelu/>
T: 0305 0305

Power Sverige:
<https://www.power.se/kundservice/>
T: 08 517 66 000

TURVALLISUUSTIEDOT

1. Valmistaja pidättää oikeuden tehdä tuotteeseen välttämättömiksi tai hyödyllisiksi katsomiaan muutoksia informoimatta siitä tässä käyttöoppaassa.
2. Ennen kuin käytät uutta pesukonettasi, lue nämä ohjeet huolellisesti ja säilytä ohjeet tulevaa käyttöä varten. Jos satut kadottamaan ne, pyydä asiakaspalvelulta uusi elektroninen tai kirjallinen kopio.
3. Varmista, että pistorasia on maadoitettu turvallisesti, ja että vesijohto on turvallinen.
4. Tätä laitetta eivät saa käyttää (lapset mukaan lukien) sellaiset henkilöt, joiden fyysiset, aistimelliset tai henkiset kyvyt ovat alentuneet, tai joilla ei ole kokemusta tai tietoutta laitteen käytöstä, jollei heidän turvallisuudestaan vastaava henkilö valvo heitä ja anna ohjeita laitteen käytöstä.
5. Tätä laitetta saavat käyttää yli 8-vuotiaat lapset ja sellaiset henkilöt, joiden fyysiset tai henkiset kyvyt tai aistit ovat rajoittuneet tai joilla ei ole tarvittavaa kokemusta ja tietoa, jos heidän turvallisuudestaan vastuussa oleva henkilö valvoo tai opastaa heitä laitteen turvalliseen käyttöön ja selittää siihen kuuluvat vaarat. Lapset eivät saa leikkiä laitteella. Lapset eivät saa suorittaa puhdistustoimia tai käyttäjän kunnossapitotöitä ilman valvontaa.
6. Lapsia on valvottava, jotta varmistetaan, etteivät he leiki laitteella.
7. Vaarojen välttämiseksi vahingoittuneen virtajohdon saa vaihtaa uuteen vain valmistaja, valmistajan valtuuttama huoltoedustaja tai muu vastaavalla tavalla pätevä henkilö.
8. Laitteen toimitukseen kuuluvia letkusarjoja tulee käyttää, vanhoja letkusarjoja ei saa käyttää uudelleen.

9. Jos laitteen tuuletusaukot ovat pohjassa, matto ei saa tukkia aukkoja.
10. Alle 3-vuotiaat lapset on pidettävä poissa laitteen läheltä, ellei heitä jatkuvasti valvota.
11. Maksimi sallittu tulovedenpaine, 1 MPa, koskee laitteita, jotka on tarkoitettu liitettäväksi vesijohtoon. Minimi sallittu tulovedenpaine on 9,1 Mpa, jos tämä on välttämätöntä laitteen oikealle toiminnalle.
12. Maksimi pesukapasiteetti on 10 kg.
13. Vain kotitalouskäyttöön.
14. Tämä laite on tarkoitettu käytettäväksi kotitalouksissa ja vastaavissa käyttötarkoituksissa, kuten:
 - Henkilöstön keittiötiloissa kaupoissa, toimistoissa ja muissa työympäristöissä;
 - Maatiloilla;
 - Asiakaskäyttöön hotelleissa, motelleissa ja muissa majoitustiloissa;
 - Bed and breakfast -tyyppisissä tiloissa;
 - Yhteiskäyttöalueilla kerrostaloissa tai itsepalvelupesuloissa.

ENNEN PESUKONEEN KÄYTTÖÄ

1. Poistaminen pakkauksesta ja laitteen tutkiminen

- Poistettuasi pesukoneen pakkauksesta, varmista, että se on vahingoittumaton. Jollet ole varma, älä käytä pesukonetta. Ota yhteyttä myynnin jälkeiseen palveluun tai paikalliseen jälleenmyyjään.
- Tarkista että kaikki lisävarusteet ja osat sisältyvät toimitukseen.
- Säilytä pakkausmateriaalit (muovipussit, polystyreeniosat jne.) lasten ulottumattomissa, sillä ne voivat olla vaarallisia.

2. Irrota kuljetuspultit

- Pesukoneeseen on kiinnitetty kuljetuspultit sisäosien mahdollisten vahinkojen välttämiseksi kuljetuksen aikana. Ennen kuin käytät konetta, kuljetuspulttien poistaminen on välttämätöntä.
- Poistamisen jälkeen peitä reiät neljällä toimitukseen kuuluvalla kumitulpalla.

3. Asenna pesukone

- Asenna laite lujalle ja vaakasuoralle lattiapinnalle, mielellään huoneen nurkkaan.
- Varmista, että kaikki neljä jalkaa ovat tukevasti lattiaa vasten. Tarkista sen jälkeen, että pesukone on täysin vaakasuorassa (käytä vesivaakaa).
- Varmista, että pesukoneen pohjan tuuletusaukot (jos soveltuu malliisi) eivät ole maton tai muun materiaalin peittämiä.

4. Veden täyttöaukko

- Liitä vedentuloletku paikallisen vesiyhtiön sääntöjen mukaisesti.
- Veden täyttöaukko - mallikohtainen:
Yksi aukko - vain kylmä vesi
Kaksi aukkoa - kuuma ja kylmä vesi
- Vesihana: 3/4-kierteinen letkuliitin

5. Vedenpoisto


- Liitä vedenpoistoletku vesilukkoon tai ripusta se koukulla pesualtaan reunaan toimitukseen kuuluvalla ”U”-mutkalla.
- Jos pesukone on liitetty integroituun viemärijärjestelmään, varmista, että järjestelmä on varustettu venttiilillä välttääksesi veden samanaikaisen sisääntulon ja tyhjennyksen (sifoniefekti)
- Kiinnitä poistoletku tiukasti estääksesi palovamman koneen tyhjennyksen yhteydessä

6. Sähköliitäntä


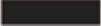
- Vain pätevä teknikko saa tehdä sähköliitännät valmistajan ohjeiden ja nykyisten standarditurvallisuuksäädösten mukaisesti.
- Tiedot jännitteestä, virrankulutuksesta ja suojausvaatimuksista ovat luukun aukon etuosassa.
- Laitteen on oltava liitetty verkkovirtaan nykyisten säädösten mukaisella maadoitetulla pistorasialla. Pesukoneen on lain mukaan oltava maadoitettu. Valmistaja ei ota mitään vastuuta vahingoista omaisuudelle tai vammoista henkilöille tai kotieläimille, jos yllä olevia ohjeita ei ole noudatettu.
- Älä käytä jatkojohtoja tai jakopistorasioita. Varmista, että pistorasian kapasiteetti on riittävä käyttämään konetta kuumennuksen aikana.
- Irrota pesukone verkkovirrasta ennen mitään pesukoneen kunnossapitotyötä.
- Asennuksen jälkeen on varmistettava, että laite voidaan aina irrottaa sähköverkosta joko pääsemällä käsiksi pistokkeeseen tai käyttämällä kaksinapaista kytkintä.
- Älä käytä pesukonetta, jos se on vahingoittunut kuljetuksen aikana. Ilmoita siitä Myynnin jälkeiseen palveluun.
- Vain Myynnin jälkeinen palvelu saa vaihtaa virtakaapelin.
- Laitetta saa käyttää ainoastaan kotitalouksissa sille määritettyyn käyttötarkoitukseen.

VAROTOIMET JA YLEISET SUOSITUKSET

1. Pakkaaminen

- Pakkausmateriaali on kokonaisuudessaan kierrätettävää ja merkitty kierrätysymbolilla  Noudata nykyisiä paikallisia säädöksiä hävittäessäsi pakkausmateriaalin.

2. Pakkauksen ja vanhojen pesukoneiden hävittäminen.

- Pesukone on valmistettu uudelleenkäytettävistä materiaaleista. Se on hävitettävä nykyisten paikallisten jätteenhävityssäädösten mukaisesti.
- Poista ennen hävitystä kaikki pesuainejäämät, riko oven lukko ja leikkaa virtakaapeli poikki niin, että pesukoneesta tulee käyttökelvoton.
- 
 Tämä laite on merkitty eurooppalaisen sähkö- ja elektroniikkalaiteromusta annetun direktiivin (WEEE) mukaisesti. Varmistamalla tämän tuotteen oikean hävittämisen autat estämään mahdollisia negatiivisia seurauksia ympäristölle ja ihmisten terveydelle, joita tämän tuotteen sopimaton jätteenkäsittely voisi muutoin aiheuttaa.

jätteenkäsittelystä.

Tämä tuotteessa tai tuotteen asiakirjoissa esiintyvä symboli ilmaisee, ettei tätä laitetta saa kohdella kotitalousjätteenä. Sen sijaan laite tulee toimittaa sähköisten ja elektronisten laitteiden kierrätyspisteeseen.

Hävittäminen on suoritettava paikallisten jätteenhävitystä koskevien ympäristösäädösten mukaisesti. Kysy lisätietoja tämän laitteen käsittelystä, uudelleenkäytöstä ja kierrätyksestä paikallisilta viranomaisilta, jätehuoltoyritykseltä tai kaupasta, josta ostit tuotteen.

3. Sijainti ja ympäristö

- Älä säilytä syttyviä nesteitä laitteen lähellä.

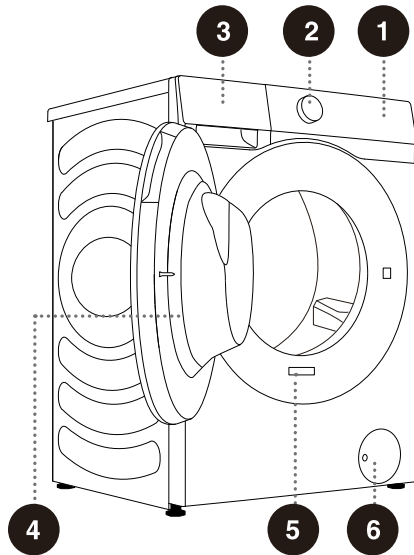
4. Turvallisuus

- Älä jätä laitetta liitetyksi pistorasiaan, kun sitä ei käytetä. Älä koskaan kytke pistoketta pistorasiaan tai irrota sitä, jos kätesi ovat märät.
- Kierrä vesihana kiinni.
- Ennen kaikkia puhdistus- ja kunnossapitotoita, kytke kone pois päältä tai irrota se pistorasiasta.
- Puhdista pesukoneen ulkopuoli kostealla liinalla. Älä käytä hankaavia puhdistusaineita.
- Älä koskaan avaa luukkua väkisin tai käytä sitä askelmana.

PYYKINPESUKONEEN KUVAUS

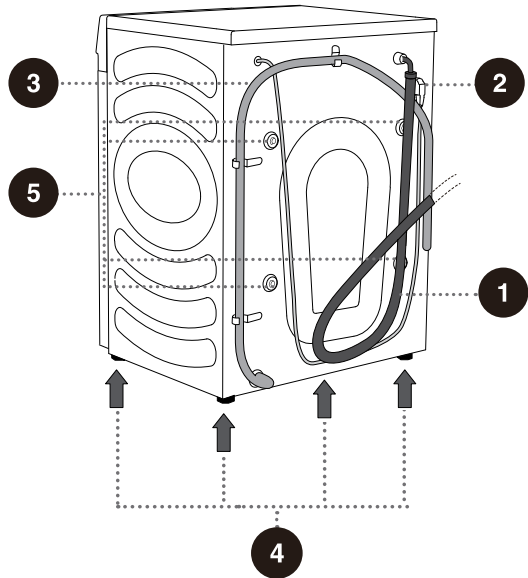
EDESSÄ

- 1 Käyttöpaneeli
- 2 Ohjelman valintanappi
- 3 Pesuainelokero
- 4 Luukku
- 5 Arvokilpi
- 6 Pumpun suodattimen kansi



TAKANA

- 1 Vedensyöttöletku
- 2 Virtajohto
- 3 Vedenpoistoletku
- 4 Säädetävät jalat
- 5 Estotangot/-ruuvit



• Tämän käyttöoppaan kuvat ovat vain viitteellisiä. Koska tuotteitamme kehitetään jatkuvasti, todellisen tuotteen ulkonäkö, väri ja toiminnalliset osat voivat poiketa kuvista.

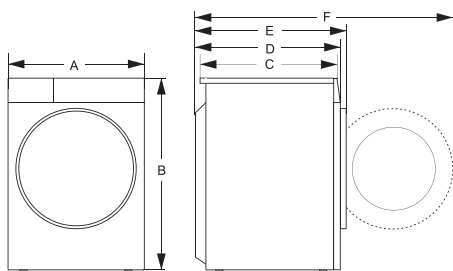
TEKNISET TIEDOT

(MALLISTA RIIPPUEN)

Koneen tiedot sisältävä arvokilpi on kiinnitetty koneen luukun aukon etuosaan (katso luku "PYYKINPESUKONEEN KUVAUS")

Maksimikuormitus	10 kg
Vedenpaine	0,1-1 MPa
Nimellisjännite	220-240 V~
Nimellisteho	1750 W
Taajuus	50 Hz
Vedenpitävyysluokka	IPX4

Mitat (mm)



Kohta	Mitta (mm)
A	595
B	845
C	560
D	590
E	620
F	1100

ASENNUS JA LIITÄNTÄ

☞ Poista kaikki pakkausmateriaali. Varo vahingoittamasta laitetta terävällä esineellä, kun poistat pakkausmateriaalia. Pidä pakkausmateriaali (muovipussit, muut muoviset osat ym.) poissa lasten ulottuvilta.

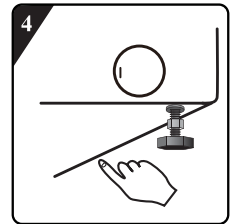
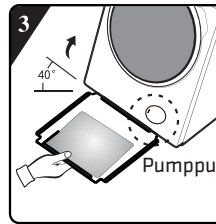
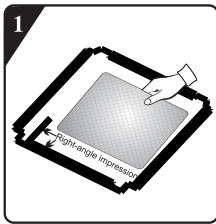
Tarkista laite vaurioiden varalta. Jos epäilet laitteen vaurioituneen, älä käytä sitä vaan ota välittömästi yhteys huoltoon.

Laitteen mukana toimitetaan tarvikepakkaus, joka sisältää seuraavat:

- Käyttöohjeet
- 4 muovitulppaa
- Syöttöletku
- Poistoletkun pidike
- Kiintoavain
- Melunvaimennuslevy

Varmista, että toimitus sisältää kaikki edellä mainitut osat.

MELUNVAIMENNUSLEVYN ASENTAMINEN



1 Ennen melunvaimennuslevyn asentamista kohdistista ja liimaa äänenvaimennusvilla melunvaimennuslevyn suorakulmaiseen painaumaan ja sitä pitkin (tämä toimenpide on tarpeeton joissakin malleissa, joissa ei ole äänenvaimennusvillaa).

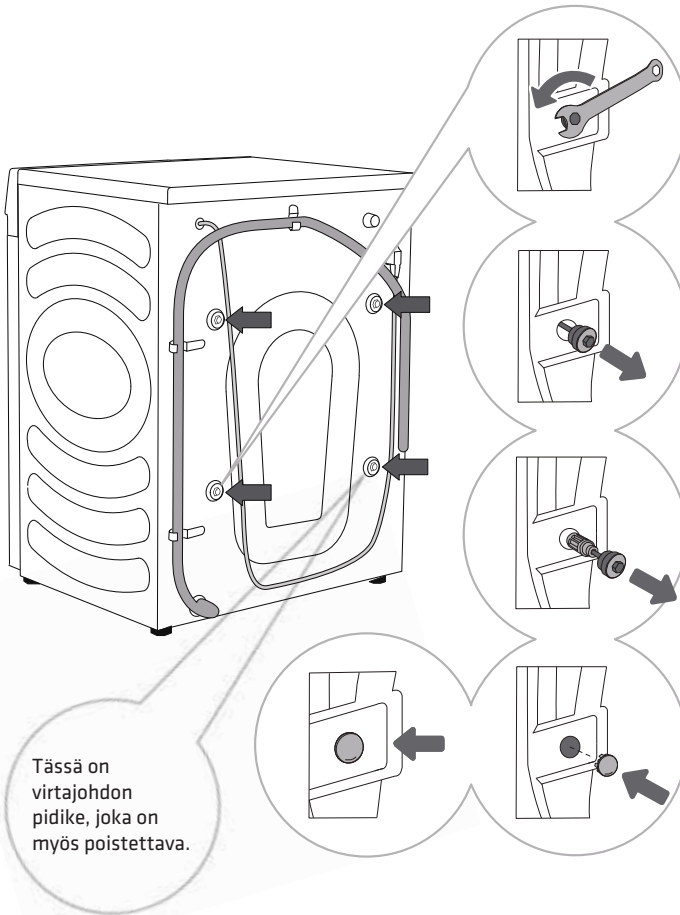
3 Kallista kone 40 asteen kulmaan siten, että suorakulmaisen loven puoli osoittaa laitteen etuosaa kohti, kuten kuvassa. Työnnä sivu, jossa on vinokulmainen lovi, laitteen takaosassa olevien kahden jalkaruuvien väliin kokonaan paikalleen. Asenna sitten melunvaimennuslevy ja varmista, että se on tiiviisti kosketuksissa laitteen pohjan kanssa.

2 Irrota kaksipuolisen teipin pintapaperi alalevyn neljästä sivusta.

4 Paina kaksipuolista teippiä käsin neljältä sivulta, jotta melunvaimennuslevy kiinnittyy tiukasti koneen runkoon.

ESTORUUVIEN/-TANKOJEN IRROTTAMINEN

⚠ Kuljetusruuvit/-tangot on poistettava ennen laitteen ensimmäistä käyttökertaa. Estetty laite voi vaurioitua, kun se käynnistetään ensimmäisen kerran. Takuu raukeaa tällaisten vahinkojen sattuessa.



Tässä on virtajohdon pidike, joka on myös poistettava.

1 Siirrä letkut sivuun ja kierrä laitteen takana olevia 4 ruuvia sopivalla avaimella vastapäivään nuolen osoittamaan suuntaan. Löysää niitä noin 30 mm.

2 Vedä kaikkia 4 kuljetusruuvia/-tankoa vaakasuunnassa.

3 Vedä kuljetusruuvit/-tangot ulos yhdessä kumi- ja muoviosan kanssa.

4 Peitä neljä reikää, joissa estoruuvit/-tangot olivat, muovitulpilla. Muovitulpat toimitetaan tarvikepussissa (tukisarja) yhdessä käyttöohjeen kanssa.

☼ Säilytä kuljetusruuvit/-tangot laitteen tulevaa kuljetusta varten (noudata kuljetusruuvien/-tankojen asennuksessa edellä mainittuja vaiheita käänteisessä järjestyksessä).

SIIRTÄMINEN JA KULJETUS ASENNUKSEN JÄLKEEN

☞ Jos haluat siirtää konetta asennuksen jälkeen, estoruuvit/-tangot on asennettava uudelleen kuljetuksen aikana tapahtuvan värinän aiheuttamien vaurioiden välttämiseksi (katso luku "ASENNUS JA LIITÄNTÄ / Estoruuvien/-tankojen irrottaminen"). Jos olet kadottanut estoruuvit/-tangot, voit tilata sellaiset valmistajalta.

Pakkaa kaikki pakkausmateriaali (muovipussit ja muut muoviosat ym.).

⚠ Kuljetuksen jälkeen koneen pitää antaa seistä paikallaan vähintään kaksi tuntia ennen verkkovirtaan kytkemistä, jotta se saavuttaa huonelämpötilan. Koneen saa asentaa ja liittää vain koulutettu asentaja.

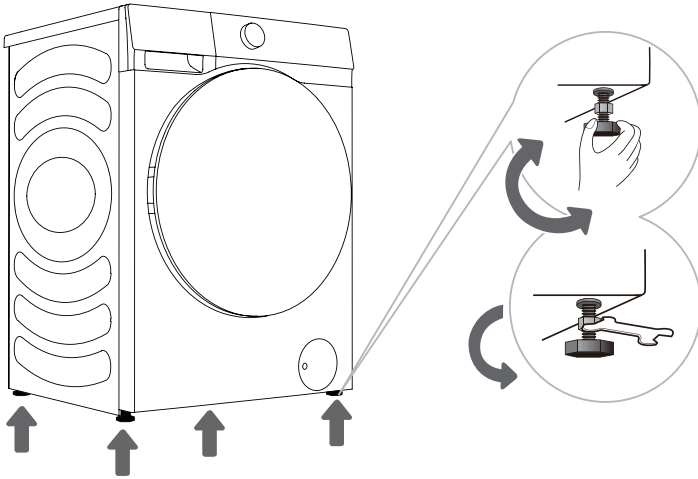
⚠ Lue käyttöohjeet huolellisesti ennen pesukoneen liittämistä. Takuu ei kata korjausta tai takuuvaatimusta, joka johtuu pesukoneen virheellisestä liittämisestä tai käytöstä.

SIJOITUSPAIKAN VALINTA

- Pesukoneen on seistävä tasaisella ja vakaalla alustalla. Pyykinpesukoneen sijoituspaikan lattian on oltava betonipohjainen. Alustan tulee olla puhdas ja kuiva; pesukone voi muuten liukua. Puhdista myös säädettävien jalkojen pohja.

PESUKONEEN JALKOJEN SÄÄTÄMINEN

Käytä vesivaakaa ja mukana toimitettua avainta.



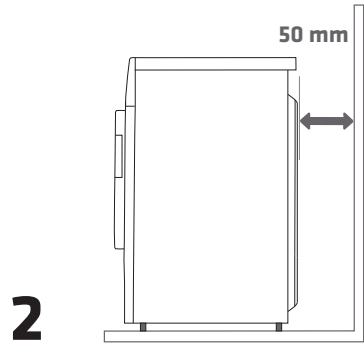
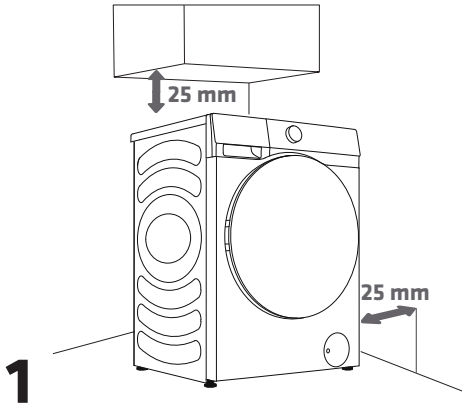
1 Käännä säädettäviä jalkoja pesukoneen saamiseksi vaakasuoraan pituussuunnassa ja poikkisuunnassa. Jalat sallivat +/- 2 cm:n säädön.

2 Kun jalat on säädetty, kiristä lukkomutterit (vastamutterit) kiertämällä niitä pesukoneen pohjaa kohti mukana toimitetulla kiintoavaimella (katso kuva).

- Pesukoneen väärä vaaitus säädettävien jalkojen avulla voi aiheuttaa värinää, laitteen liukumista tilassa ja äänekkästä toimintaa. Pesukoneen virheellinen vaaitus ei kuulu takuun piiriin.

- Joskus laitteen käytön aikana saattaa esiintyä epätavallista tai kovempaa ääntä; nämä ovat useimmiten seurausta virheellisestä asennuksesta.

Pesukoneen asennusetäisyydet

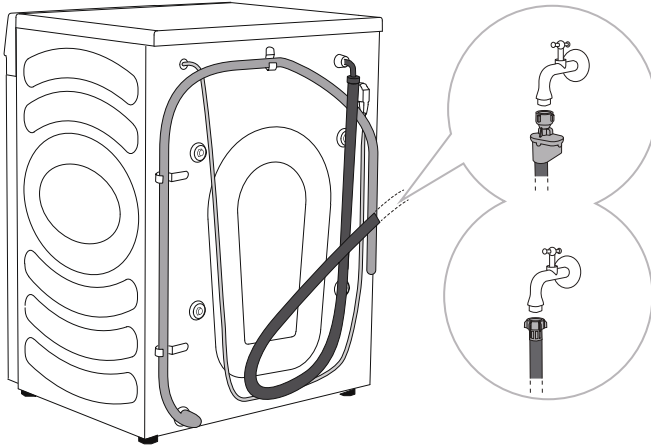


⚠ Pesukone ei saa koskettaa seinään tai viereisiin kalusteisiin. Jotta kone toimisi parhaalla mahdollisella tavalla, säilytä etäisyydet seiniin kuvan mukaisesti. Jos koneen ympärille ei jätetä vaadittuja minimietäisyyksiä, pesukoneen turvallista ja oikeaa käyttöä ei voida taata. Tämä voi myös johtaa koneen ylikuumentumiseen (kuvat 1 ja 2).

⚠ Pesukoneen asentamista työtason alle ei suositella.

VESIJOHTOVERKKOON LIITTÄMINEN

Kiinnitä letku vesihanaan kiertämällä se kierteeseen.



A AQUA STOP

B TAVALLINEN
LIITÄNTÄ

• Pesukoneen normaalia toimintaa varten vedenpaineen tulee olla 0,1–1 MPa (1–10 bar; 1–10 kp/cm²; 10–100 N/cm²). Veden dynaaminen minimipaine voidaan määrittää mittaamalla vedenvirtaus. 3 litraa vettä tulisi virrata täysin avoimesta hanasta 15 sekunnissa.

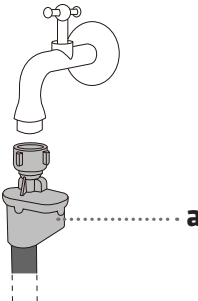
• Kiristä vedensyöttöletku käsin, riittävän hyvin, niin että letkuliitântä on tiivis (maks. 2 Nm). Kun olet liittänyt letkun, liitännän tiiviyys on tarkastettava. Älä käytä pihtejä tai vastaavia työkaluja letkun liittämiseen, sillä ne saattavat vaurioittaa mutterin kierrettä.

• Käytä ainoastaan laitteen mukana toimitettua vedensyöttöletkua. Älä käytä mitään muita letkuja.

• Varmista, ettei letku ole vaurioitunut. Jos letku on heikentynyt, hauras tai halkeillut, se on vaihdettava.

AQUA STOP (VAIN JOISSAIN MALLEISSA)

Jos sisäinen putki tai letku on vahingoittunut, katkaisujärjestelmä aktivoituu ja katkaisee vedensyötön koneeseen. Tällaisessa tapauksessa tarkistuslasi (a) muuttuu punaiseksi. Vaihda vedensyöttöletku.



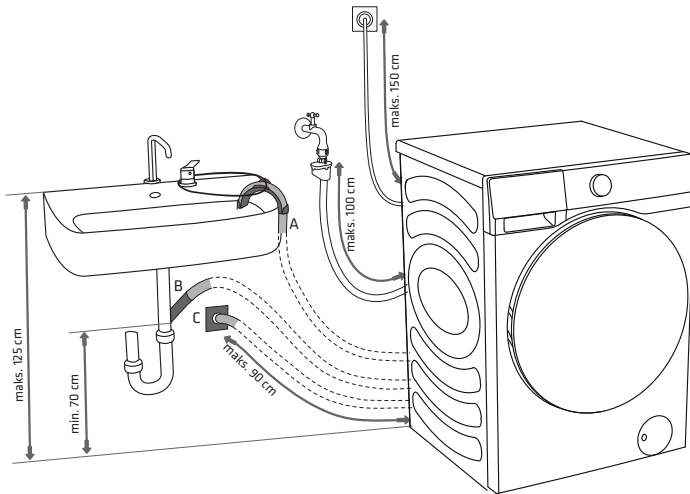
• Älä upota AquaStop-letkujärjestelmällä varustettua vedensyöttöletkua veteen, sillä se sisältää sähköisen venttiilin.

• Vedensyöttöletku voidaan liittää ilman takaiskuventtiiliä.

• Kun liität vedensyöttöletkun, varmista, että se on liitetty siten, että veden saanti on riittävä ja esteetön.

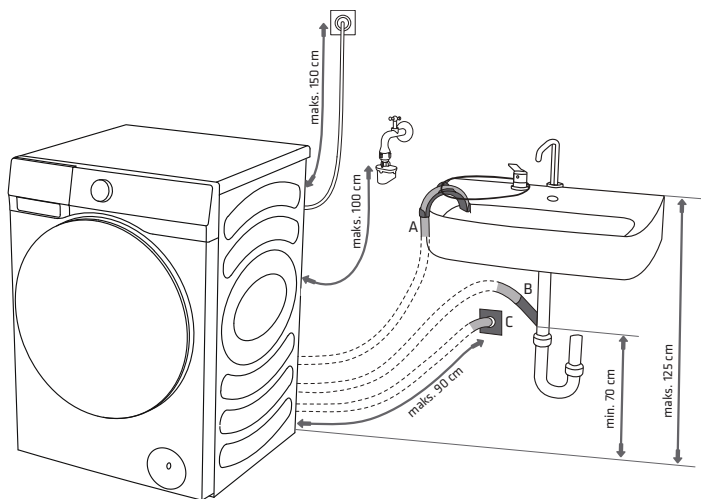
VEDENPOISTOLETKUN LIITÄNTÄ JA VARMISTAMINEN

Johda vedenpoistoletku pesualtaaseen tai kylpyammeeseen tai liitä se suoraan viemäriin (poistoletkun minimiläpimitta on 4 cm). Pystysuuntainen etäisyys lattiasta poistoletkun päähän ei saa olla yli 100 cm, eikä alle 60 cm. Se voidaan kiinnittää kolmella tavalla (A, B, C).

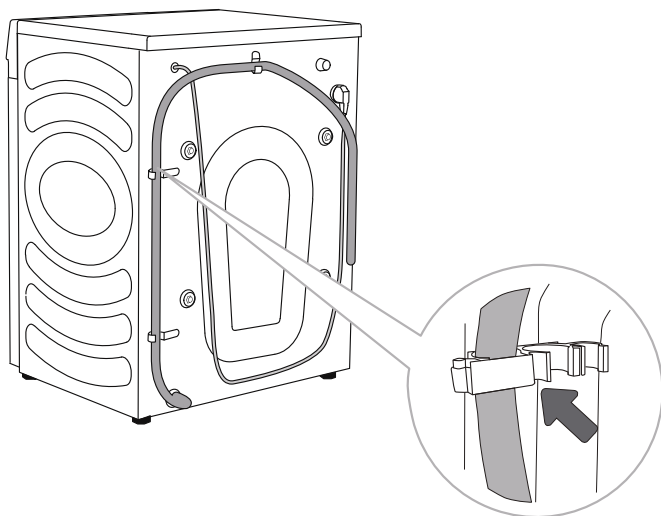


A Poistoletkun pää voidaan laittaa pesualtaaseen tai kylpyammeeseen. Pujota lenkki letkun mutkan tuen läpi letkun kiinnittämiseksi ja sen lattialle putoamisen estämiseksi.

B Poistoletku voidaan myös liittää suoraan pesualtaan viemäriin. Tähän ei voi käyttää liian pientä pesuallasta. Ole varovainen poistovesi voi olla kuumaa.



C Poistoletku voidaan myös liittää seinäviemäriin vesilukolla, joka tulee asentaa oikein, jotta se voidaan puhdistaa.

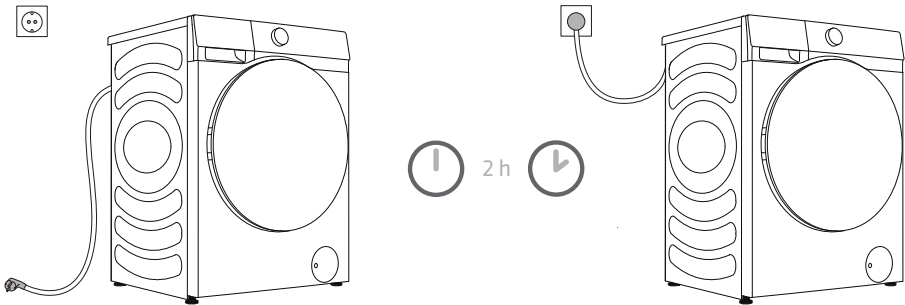


D Poistoletku tulee kiinnittää koneen takana olevaan pidikkeeseen kuvan mukaisesti.

☞ Varmista, ettei poistoletku ole vaurioitunut.

☞ Jos poistoletkua ei ole kiinnitetty oikein, pesukoneen turvallista ja asianmukaista toimintaa ei voida taata.

LAITTEEN KYTKEMINEN SÄHKÖVERKKOON



⚠ Ennen kuin liität pesukoneen verkkovirtaan, odota vähintään 2 tuntia, kunnes se on saavuttanut huonelämpötilan.

Liitä pesukone maadoitettuun pistorasiaan. Seinäpistorasiaan tulee olla vapaa pääsy asennuksen jälkeen. Pistorasian on oltava varustettu maadoituskoskettimella (voimassa olevien määräysten mukaisesti).

Pesukonetta koskevat tiedot on ilmoitettu arvokilvessä.

⚠ Suosittelemme käyttämään ylijännitesuojausta laitteen suojaamiseksi mahdolliselta salamaniskulta.

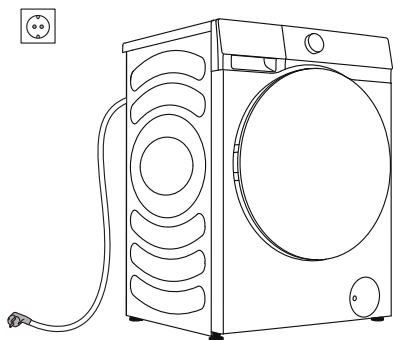
⚠ Pesukonetta ei saa liittää verkkovirtaan jatkojohdolla.

- ⚡ Älä liitä pesukonetta pistorasiaan, joka on tarkoitettu parranajokoneelle tai hiustenkuivaajalle.
- ⚡ Älä liitä konetta verkkovirtaan tai irrota konetta verkkovirrasta märin käsin.
- ⚡ Kaikki koneen turvallisuuteen tai suorituskykyyn vaikuttavat korjaus- tai huoltotyöt on annettava koulutettujen asiantuntijoiden suoritettaviksi.
- ⚡ Vioittuneen virtajohdon saa vaihtaa vain valmistajan valtuuttama henkilö.

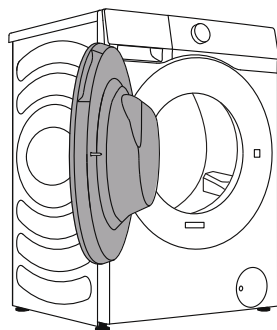
ENNEN LAITTEEN ENSIMMÄISTÄ KÄYTTÖKERTAA

Varmista, että pesukonetta ei ole liitetty verkkovirtaan ja avaa sen jälkeen sen luukku itseäsi kohden (kuvat 1 ja 2).

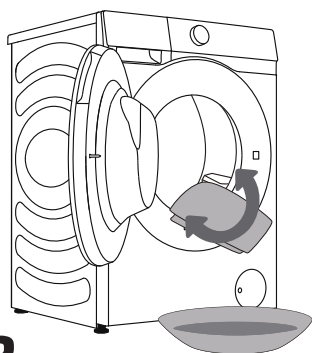
Pyyhi pesukoneen rumpu ennen ensimmäistä käyttöä pehmeällä, kostealla puuvillaliinalla ja vedellä tai käytä Rummun puhdistus -ohjelmaa. Tässä tapauksessa liitä laite verkkovirtaan ja avaa vesihana. Rummussa ei saa olla pyykkiä; rummun tulee olla tyhjä (kuvat 3 ja 4).



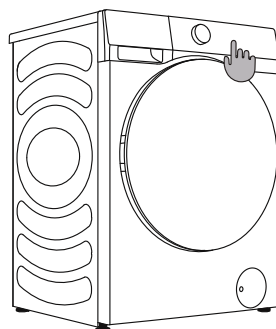
1



2



3






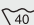






















4

⚠ Älä käytä liuottimia tai puhdistusaineita, jotka saattaisivat vahingoittaa pesukonetta (huomioi puhdistusaineen valmistajan suositukset ja varoitukset).

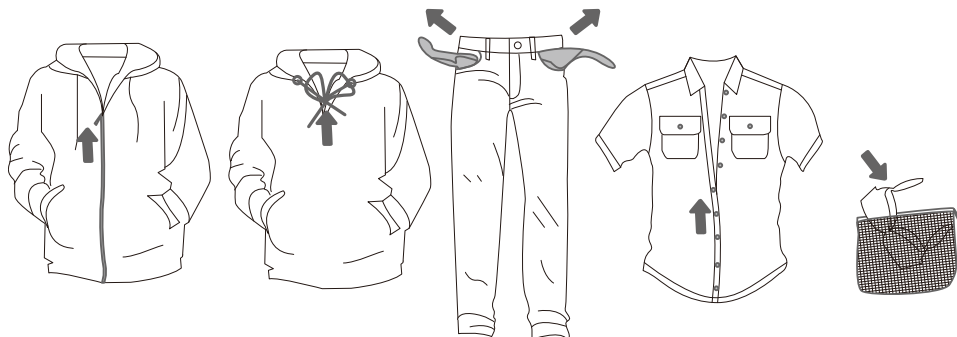
PESUPROSESSI VAIHE VAIHEELTA (1-6)

VAIHE 1: TARKISTA PYYKISSÄ OLEVAT MERKINNÄT

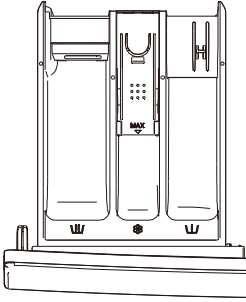
Normaali pesu; Herkät tekstiilit	Maks. pesu- lämpötila 95 °C  	Maks. pesu- lämpötila 60 °C  	Maks. pesu- lämpötila 40 °C  	Maks. pesu- lämpötila 30 °C  	Vain käsinpesu 	Vesipesu kielletty 
Valkaisu	Valkaisu kylmällä vedellä 			Valkaisu kielletty 		
Kemiallinen pesu	Kemiallinen pesu kaikilla aineilla 	Raakaöljyliuottimet R11, R113 	Kemiallinen pesu kerosiinilla, puhdistusalkoholilla ja R113:lla 	Kemiallinen pesu kielletty 		
Silitys	Silitys, maks. 200 °C 	Silitys, maks. 150 °C 	Silitys, maks. 110 °C 	Silitys kielletty 		
Kuivaus	Tasokuivaus (asetä tasaiselle alustalle) 	Valumiskuivaus  Ripustuskuivaus 	Korkea lämpötila  Matala lämpötila 	Rumpukuivaus kielletty 		

VAIHE 2: PESUPROSESSIN VALMISTELEMINEN

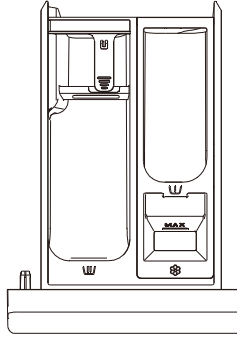
1. Lajittele pyykit kankaan tyyppin, värin, likaantumisasteen, sallitun pesulämpötilan jne. mukaan (katso OHJELMATAULUKKO).
2. Sulje napit ja vetoketjut, sido narut ja käännä taskut nurinpäin; irrota kaikki metalliset kiinnittimet, jotka voivat vahingoittaa pyykkiä ja pesukoneen sisäosia tai tukkia poistoaukon.
3. Laita erittäin herkäät vaatteet ja pienet pyykit tähän tarkoitukseen suunniteltuun pyykkipussiin.



► PYYKINPESUAINEEN/HUUHTELUAINEEN LISÄÄMINEN



Tyyl ①



Tyyl ②

Pesuainelokeroiden symbolit

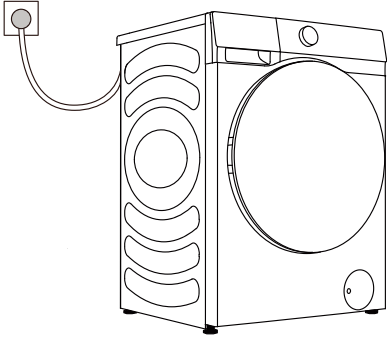
W	esipesu
W	varsinainen pesu
☼	huuhteluaine

(Pesuainelokeron ulkonäkö riippuu mallista)

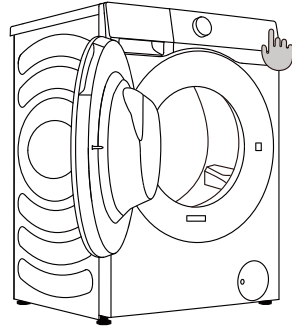
- ☼ Suosittelemme, että jauhemainen pesuaine lisätään juuri ennen pesuohjelmaa. Jos lisäät sen aikaisemmin, varmista, että pesuainelokero on täysin kuiva ennen jauhemaisen pesuaineen lisäämistä: muutoin jauhemainen pesuaine saattaa paakkuuntua ennen pesuprosessin alkua.
- ☼ Kaada huuhteluainetta lokeroon, jossa on symboli ☼. Noudata huuhteluaineen pakkauksen suosituksia.
- ☼ Älä täytä huuhteluainelokeroa yli Max-merkityn tason. Muutoin huuhteluainetta lisätään pyykkiin liian paljon, jolloin pesutulos on huonompi.
- ☼ Säilytä pesuaineet ja lisäaineet poissa lasten ulottuvilta.

PESUKONEEN KYTKEMINEN PÄÄLLE

Liitä pesukone virtajohtolla verkkovirtaan ja kytke se sen jälkeen vedensyöttöön. Kytke laite päälle painamalla "VIRTA"-painiketta (kuvat 1 ja 2).



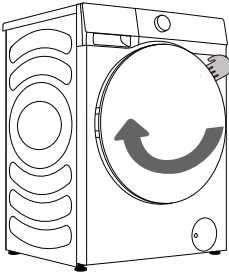
1



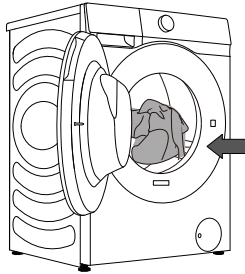
2

PYYKIN LAITTAMINEN PESUKONEESEEN

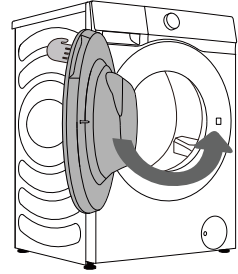
Avaa pyykinpesukoneen luukku vetämällä kahvaa itseäsi kohti (kuva 1). Laita pyykki rumpun sisään (varmistettuasi, että rumpu on tyhjä) (kuva 2). Sulje pesukoneen luukku (kuva 3). Luukku on kiinni, kun kuulet napsahduksen.



1



2



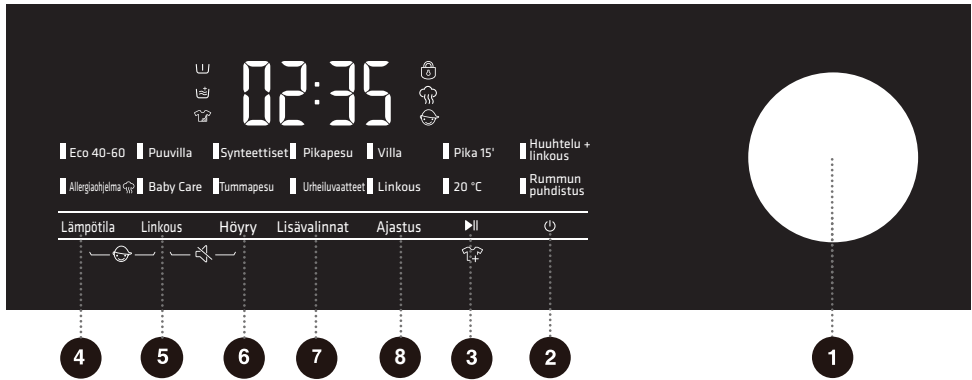
3

⚠️ Älä koskaan yritä avata luukkuja väkisin. Älä myöskään avaa luukkuja pesukoneen käytön aikana.

Älä täytä rumpua liian täyteen! Katso OHJELMATAULUKKO ja huomioi arvokilvessä ilmoitettu nimelliskuormitus.

Jos pesukone on liian täynnä, pyykistä ei tule puhdasta.

KÄYTTÖPANEELI



1 OHJELMAN VALITSIN

Valitse ohjelma kääntämällä säädintä.

2 VIRTA

Painamalla kytket koneen päälle / pois päältä.

3 KÄYNNISTYS/ KESKEYTYS

Käynnistä/keskeytä koneen ohjelma.

4 LÄMPÖTILA

Painamalla muutat veden lämpötilan.

5 LINKOUS

Painamalla muutat nykyisen ohjelman linkousnopeuden.

6 HÖYRY

Painamalla valitset höyrytoiminnon.

7 VAIHTOEHDOT

Painamalla tätä painiketta voit valita lisätoimintoja.

8 AJASTUS

Ajastus -toiminnolla voit asettaa nykyisen pesuohjelman päättymisajan.

4+5 LAPSILUKKO

Painamalla näitä kahta näppäintä samanaikaisesti otat käyttöön lapsilukkotoiminnon tai poistat sen käytöstä.

5+6 MYKISTYS

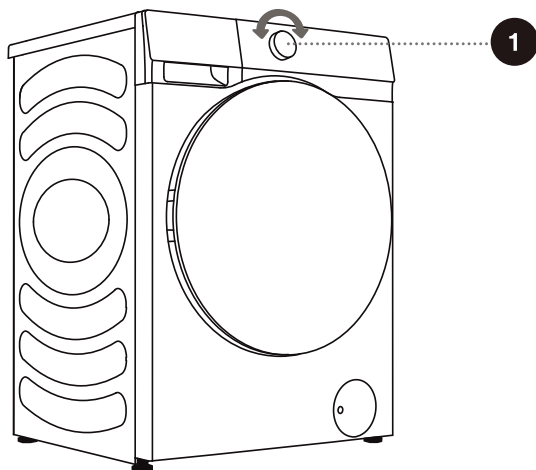
Painamalla näitä kahta näppäintä samanaikaisesti kytket pois tai palautat äänisignaalit.

VAIHE 3: PESUOHJELMAN VALITSEMINEN

Valitse ohjelma kääntämällä ohjelman valintanuppia (1) vasemmalle tai oikealle (pyykin tyyppi ja likaantumistasen mukaan). **Katso ohjelmataulukko.**



1



⚠ Ohjelman valintanuppi ei pyöri automaattisesti käytön aikana.

OHJELMATAULUKKO

Ohjelma	Maks. kuormitus	Maks. linkousnopeus (rpm)	Ohjelman kuvaus
Eco 40-60 -	10 kg	1400	Normaalisti likaantunut puuvillapyykki.
Puuvilla (--, 20 °C, 30 °C, 40 °C, 60 °C, 90 °C)	10 kg	1400	Voimakkaasti ja kohtalaisesti likaantunut puuvilla tai pellava. Erittäin voimakkaasti likaantuneille valitse "Esipesu"-toiminto.
Synteettiset (--, 20 °C, 30 °C, 40 °C, 60 °C)	5 kg	1400	Polyesteristä (dioleeni, trevira), polyamidista (perlon, nylon) tai niiden kaltaisista aineista valmistetuille kankaille.
Pikapesu (--, 20 °C, 30 °C, 40 °C, 60 °C)	5 kg	1400	Kohtalaisen likaantuneiden puuvillaisten ja keinokuitua olevien kankaiden sekakuormat. Ohjelman käyntiaika on 58 minuuttia, kun valitset 0-40 °C, ja 78 minuuttia, kun valitset 60 °C.
Villa (--, 20°C, 30°C, 40°C)	2 kg	600	Ohjelma soveltuu konepestävälle villalle.
Pika 15' (--, 20°C, 30°C, 40°C)	2 kg	800	Ohjelma soveltuu puuvilla- ja sekoitekankaille. Soveltuu uusille tai hieman käytetyille vaatteille. Pesuaika pitenee, jos oletusasetuksia muutetaan.
Huuhdeltu + linkous -	10 kg	1400	Tässä ohjelmassa on oletusarvoisesti kaksi huuhdeltua ja kaksi linkousta.
Allergiaohjelma (60 °C)	2 kg	1400	Soveltuu korkeita lämpötiloja kestäville ja vähemmän haalistuville kankaille. Poistaa allergeeneja, kuten siitepölyä, punkkeja ja loisia korkean lämpötilan höyryllä.
Baby Care (40 °C, 60 °C, 90 °C)	2 kg	1400	Soveltuu vauvanvaatteille ja alusvaatteille ym. Steriloi ja desinfioi korkean lämpötilan höyryllä.
Tummapesu (--, 20 °C, 30 °C, 40 °C, 60 °C)	5 kg	1000	Soveltuu konepestäville tummille vaatteille.

Ohjelma	Maks. kuormitus	Maks. linkousnopeus (rpm)	Ohjelman kuvaus
Urheiluvaatteet (--, 20°C, 30°C, 40°C)	4 kg	1000	Ohjelma soveltuu urheiluvaatteille ja vapaa-ajan asuille, jotka on valmistettu mikrokuitukankaista.
Linkous -	10 kg	1400	Tässä ohjelmassa voit valita keston ja linkousnopeuden manuaalisesti.
20 °C (20 °C)	10 kg	1400	Ohjelma soveltuu puuvillavaatteille, joissa on vähäisiä tahroja, energiansäästö.
Rummun puhdistus (90 °C)	/	800	Tätä ohjelmaa käytetään rummun puhdistamiseen sekä pesuaine- ja bakteerijäämien poistamiseen, joita voi kertyä erityisesti, jos käytät alhaisten pesulämpötilojen ohjelmia. Rummun on oltava tyhjä. Käytä tätä ohjelmaa vähintään kerran kuukaudessa.

HUOMAUTUS:

- 1) Veden lämpötila: Valitse sopiva veden lämpötila valitulle pesuohjelmalle. Noudata aina vaateen valmistajan pesuohjeita välttääksesi vaatteiden vaurioitumisen.
- 2) Todellinen veden lämpötila voi poiketa ilmoitetusta pesuohjelman lämpötilasta.
- 3) Pesuteho riippuu vedenpaineesta, veden kovuudesta, veden tulolämpötilasta, huoneenlämpötilasta, pyykin tyyppistä ja määrästä, liikaantumisasasteesta riippuvasta pesuaineesta, sähköverkon vaihteluista ja valituista lisäasetuksista.
- 4) Suositellaan neutraalia (vaahtoamatonta) pesuainetta.
- 5) Jos lisäät huomattavan määrän pyykkiä koneeseen pesun aikana, pesutulos voi heikentyä, koska kone havaitsi aiemmin kevyemmän kuorman pyykkiä ja lisäsi vähemmän vettä. Riittämätön määrä vettä suhteessa pyykin määrään voi myös vahingoittaa pyykkejä (kuivan pyykin hankautuminen), ja pesuaika voi pidentyä.

• Suurin pyykkimäärä kilogrammoina (puuvillaohjelmaa varten) on ilmoitettu pesukoneen arvokilvessä.

• Maksimi- tai nimelliskuormitus koskee standardin IEC 60456 mukaisesti valmisteltua pyykkiä.

• Parhaiden mahdollisten pesutulosten saavuttamiseksi suosittelemme täyttämään rummun 2/3 täyteen puuvillaohjelmia käytettäessä.

PYYKINPESUAINEIDEN JA LISÄAINEIDEN VALINTA

Käytä aina tehokkaita, vähän vaahtoutuvia pyykinpesuaineita, jotka on tarkoitettu edestä täytettäviin pyykinpesukoneisiin.

Pyykinpesuaineen valinta riippuu pyykin tyypistä, likaantumisasteesta, pyykin väristä ja pesulämpötilasta.

• Mustiin pyykeihin saattaa ilmestyä valkoisia tahroja (raitoja jne.), jos käytät nykyaikaisia fosfaatittomia pyykinpesuaineita. Tällaisissa tapauksissa harjaa raidat pois ja käytä nestemäistä pyykinpesuainetta.

Käytä vain kotitalouskäyttöön tarkoitettuja pyykinpesuaineita.

Kalkinpoistoaineet voivat vahingoittaa laitetta. Älä pese vaatteita, jotka on pesty liuottimilla tai helposti syttyvillä aineilla.

Katso valmistajan pyykinpesuaineen annostelua koskevat ohjeet.

Liiallinen määrä pyykinpesuainetta voi johtaa vaahtoamiseen, joka heikentää pesutulosta. Jos laite havaitsee liiallista vaahtoutumista, se voi keskeyttää linkouksen. Jos pyykinpesuainetta käytetään liian vähän, pyykit eivät välttämättä pysy valkoisina pitkään. Se voi myös johtaa kalkin muodostumiseen rumpuun ja putkiin.

VAIHE 4: LISÄASETUSTEN JA -TOIMINTOJEN VALINTA

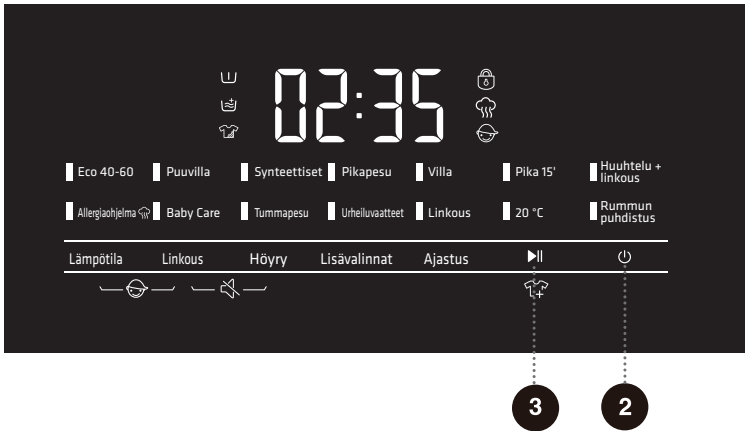
Uuseimmissa pesuohjelmissa on perusasetukset, mutta näitä asetuksia voi muuttaa.

Säädä asetuksia painamalla asiaankuuluvaa toimintopainiketta (ennen KÄYNNISTYS/KESKEYTYS-painikkeen painamista).

• Aktivoi / poista käytöstä toiminnot painamalla haluttua painiketta (ennen KÄYNNISTYS/KESKEYTYS-painikkeen painamista).

• Tiettyjä asetuksia ei voi valita joissain ohjelmissa. Näiden asetusten valo ei pala, ja kun vastaavaa painiketta painetaan, kuuluu merkkiäänä (katso TOIMINTOTAULUKKO).

Lisäasetukset ja -toiminnot voidaan asettaa vain käytettävän ohjelman valmiustilassa eli ennen kuin ohjelma käynnistyy, eikä niitä voi valita ohjelman ollessa käynnissä.



2 Virta

Pesukoneen virran kytkeminen/katkaiseminen.

Kun pesukone on valmiustilassa, siirryt virrankatkaisutilaan painamalla virtanäppäintä pitkään. Valmiustilassa tai ohjelman lopetusnäkyssä tai pesuohjelman uudelleenyrityksen muistutusvalikossa, jos mitään toimintoa ei suoriteta 2 minuutin kuluessa, pesukone sammuu automaattisesti.

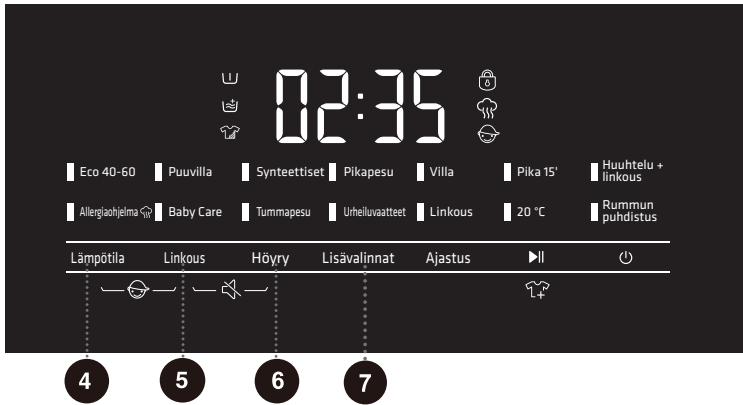
Virrankatkaisutilassa kaikki näytöt ja lähdöt ovat pois päältä, eikä etäkäynnistystä tueta.

3 Käynnistys/keskeytys

Ohjelman käynnistäminen tai käynnissä olevan ohjelman keskeyttäminen.

Jos koneen luukku ei ole kiinni tai luukun lukko ei ole aktivoitunut, pesukone ei käynnisty ja näytössä näkyy hälytys.

Kun ohjelma on käynnistetty tai kun keskeytys on valittu, asetettuja toimintoja ja asetuksia ei voi muuttaa. Pitämällä Virta-painiketta painettuna kytket koneen pois päältä, sen jälkeen voit käynnistää sen uudelleen asetusten nollaamiseksi.



4 Lämpötila

Valitun ohjelman pesulämpötilan muuttaminen.

Jokaisessa pesuohjelmassa on esiasetettu lämpötila, jota voi muuttaa painamalla painiketta LÄMPÖTILA. (-- tarkoittaa pesua kylmällä vedellä).

Lämpötila näytetään näytössä painikkeen yläpuolella.

5 Linkous

Linkousnopeuden säätäminen. Esiasetettu tai valittu linkousnopeus syttyy näyttöön.

6 Höyry

Painamalla lisää Höyry-toiminnon, painamalla kahdesti peruutat toiminnon ja selaat järjestyksessä.

Ohjelmissa, joissa on höyrykuvake "☁️" voidaan käyttää höyrytoimintoa. Allergiaohjelma- ja Baby Care -ohjelmat sisältävät oletuksena höyrytoiminnon, eikä sitä voi poistaa käytöstä.

7 Lisävalinnat

Valmiustilassa painamalla Lisävalinnat-painiketta voit valita lisätoimintoja nykyiselle ohjelmalle.

Valitse vain yksi toiminto painallusta kohden, vastaava kuvake alkaa vilkkua. Kun ohjelma on käynnistetty, sitä ei voi enää muuttaa.

Esipesu

Valitse tämä toiminto esipesua varten pesutehon parantamiseksi ja tahrojen poistamiseksi tehokkaammin. Tämä toiminto soveltuu erittäin likaisille vaatteille.

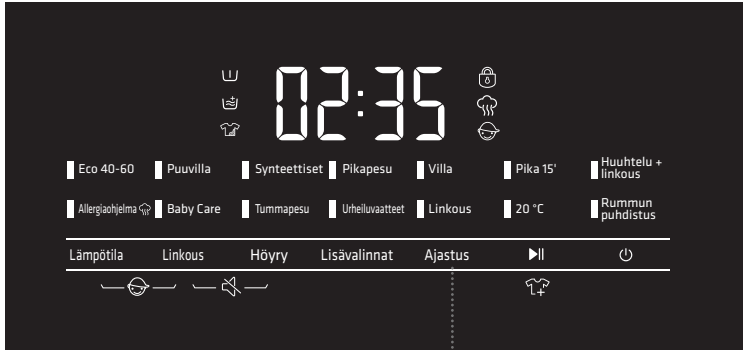
Kun valitset esipesutoiminnon, lisää pesuainetta pesuainestelijan esipesulokeroon.

Lisähuuhtelu

Kun lisähuuhtelutoiminto on asetettu, ohjelma suorittaa huuhtelun vielä kerran ennen huuhteluainetta, ja ohjelman kokonaiskesto pitenee vastaavasti.

Intensiivinen

Tätä toimintoa voidaan käyttää lisäämään intensiivistä pesuaikaa ja parantamaan pesun intensiivisyyttä.



8

8

Ajastus

Käytä tätä toimintoa ajastaaksesi pesuohjelman sopivaan aikaan.

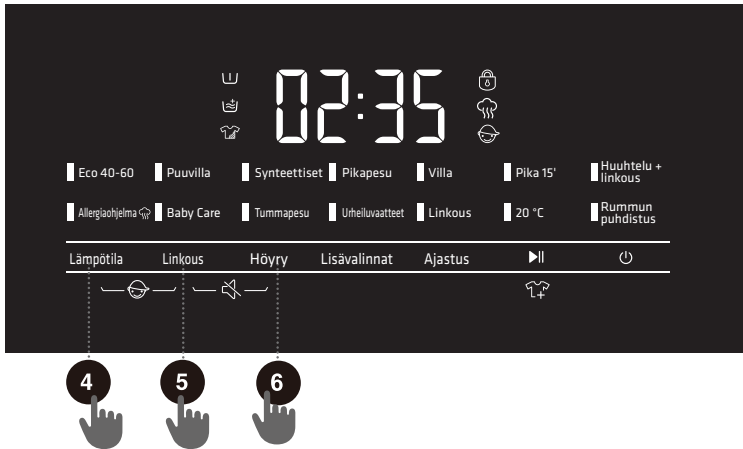
Painamalla tätä näppäintä asetat Ajastus -ajan. Näppäin toimii vain valmiustilassa. Kun Ajastus -toiminto on valittuna, jokainen Ajastus -näppäimen painallus lisää aikaa 1 tunnin. Suurin valittavissa oleva aikaväli on 24 tuntia.

Ajastus -aika on loppumisaika, eli se sisältää pesuajan, joten Ajastus -ajan on oltava suurempi kuin pesuaika. Koneen sisäinen logiikka määrittää pesuohjelman aloitusajan asetustesi perusteella. Valitse esiasetettu tuntiyksikkö painamalla.

Kun varausprosessi on käynnissä, "varausaika"-kuvake palaa.

Kun varausprosessi on päättynyt, "varausaika"-kuvake sammuu.

Jos Ajastus -toiminto valittiin ennen ohjelman käynnistämistä, se voidaan peruuttaa painamalla mitä tahansa muuta toimintonäppäintä. Kun ohjelma on käynnistynyt, sinun on pidettävä Virta-painiketta painettuna koneen sammuttamiseksi ja käynnistämiseksi uudelleen, jotta Ajastus -toiminto voidaan peruuttaa.




4 + 5 Lapsilukko

Tämä on turvaominaisuus. Aktivoi sen painamalla "Lämpötila + Linkous" -painikkeita samanaikaisesti 2 sekunnin ajan. Lapsilukkokuvake syttyy ja lapsilukko aktivoituu. Toistamalla samat toimet lapsilukko poistuu käytöstä. Kun lapsilukko on asetettu, kaikki toimintopainikkeet lukitaan virtatoimintoa lukuun ottamatta. Kun ohjelma päättyy, lapsilukko poistuu käytöstä automaattisesti.

5 + 6 Mykistys

Kytket merkkiäänet pois päältä tai palautat ne painamalla tätä painiketta. Kun pesukone on valmiustilassa, keskeytettynä tai käynnissä, paina "Linkous + Höyry" -painikkeita 2 sekunnin ajan, "BEEP OFF" -kuvake syttyy. Kaikki merkkiäänet hälytyksiä lukuun ottamatta on kytketty pois päältä. Kun kone on mykistystilassa, toista sama toiminto, kunnes näytössä näkyy "BEEP on" -kuvake. Kaikki merkkiäänet on aktivoitu.

Luukun lukitus

Kun pesuohjelma käynnistyy, luukun lukkokuvake "  " syttyy. Luukun lukitus aktivoituu. Älä avaa luukua väkisin tänä aikana loukkaantumisen välttämiseksi. Kun pesukoneen ohjelma keskeytetään tai kun ohjelma on päättynyt ja lukituksen avausehdot täyttyvät, luukun lukitus vapautuu automaattisesti. Luukun lukkokuvake sammuu.

TOIMINTOTAULUKKO

OHJELMAT	PESUAINELOKERO			LÄMPÖTILA	LINKOUS	HÖYRY	ESIPESU	LISÄHUUHTELU	INTENSIVINEN	VIIVE LOPPU	LAPSILUKKO	MYKISTYS
	ESIPESU	VARSINAINEN PESU	HUUHTELUAINE									
Eco 40-60	-	✓	•	-	•	-	-	-	-	•	•	•
Puuvilla	✓	✓	•	•	•	•	•	•	•	•	•	•
Synteettiset	✓	✓	•	•	•	•	•	•	•	•	•	•
Pikapesu	✓	✓	•	•	•	-	•	•	•	•	•	•
Villa	-	✓	•	•	•	-	-	•	-	•	•	•
Pika 15'	-	✓	•	•	•	-	-	•	-	•	•	•
Huuhtelu + linkous	-	-	•	-	•	-	-	•	-	•	•	•
Allergiaohjelma	✓	✓	•	-	•	○	•	•	•	•	•	•
Baby Care	✓	✓	•	•	•	○	•	•	•	•	•	•
Tummapesu	✓	✓	•	•	•	-	•	•	•	•	•	•
Urheiluvaatteet	✓	✓	•	•	•	-	•	•	•	•	•	•
Linkous	-	-	-	-	•	-	-	-	-	•	•	•
20 °C	✓	✓	•	-	•	-	•	•	•	•	•	•
Rummun puhdistus	-	-	-	-	-	-	-	-	-	•	•	•

- Valinnaiset toiminnot
- Ei voida valita
- ✓ Vaatii pyykinpesuainetta
- Toimintoa ei voi peruuttaa

AIKAOPTIMOINTI OHJELMAN OLLESSA KÄYNNISSÄ

Pesuohjelman aikaisessa vaiheessa pesukone käyttää kehittynyttä teknologiaa pyykin määrän tunnistamiseksi. Kun pesukone on tunnistanut koneen kuormituksen, se säätää ohjelman keston.

VAIHE 5: PESUOHJELMAN KÄYNNISTÄMINEN

Kun olet valinnut pesuohjelman ja sen toiminnot, lisää pyykinpesuaine pesuainelokeroon, paina **KÄYNNISTYS/KESKEYTYS**-painiketta.



Kun **KÄYNNISTYS/KESKEYTYS**-painiketta on painettu, voit aktivoida tai poistaa käytöstä lapsilukon ja määrittää merkkiäänät; muita asetuksia ei voi muuttaa.

Pesuohjelman alkaessa näyttöön ilmestyy "----", mikä ilmaisee, että kone punnitsee pyykin. Pesuohjelman kesto (tuntia : minuuttia) säädetään automaattisesti pyykin painon perusteella.

Ohjelman alettua luukun lukituskuvake "🔒" näkyy näytössä. Kuvake katoaa, kun pesuohjelma on valmis.

Jos painat **KÄYNNISTYS/KESKEYTYS**-painiketta ohjelman ollessa käynnissä ja kaikki luukun avaamisen edellytykset täyttyvät, niin myös "🔒" häviää.

Jos "🔒" vilkkuu, luukkua ei voi avata. Älä silloin yritä avata luukkua väkisin.

🔒 Vilkkuva kuvake näytössä ilmaisee, että koneen luukku on auki tai sitä ei ole suljettu kunnolla. Sulje pesukoneen luukku ja paina **KÄYNNISTYS/KESKEYTYS**-painiketta uudelleen pesuohjelman jatkamiseksi.

VAIHE 6: PESUOHJELMAN PÄÄTTYMINEN

Pesuprosessin jälkeen kuuluu merkkiäänä; näytössä lukee "End". Laite sammuu automaattisesti, jos mitään toimintoa ei suoriteta 2 minuuttiin.



1. Avaa pesukoneen luukku.
2. Ota pyykki pois rummusta.
3. Sulje luukku!
4. Sulje vesihana.
5. Irrota virtajohto pistorasiasta.

SIIRTYMINEN MYYNNIN JÄLKEISEEN KYSELYTILAAN

1. Paina OFF-tilassa "Lämpötila" + "Höyry" + "☺" siirtyäksesi myynnin jälkeiseen kyselytilaan.
2. Se näyttää käyttöjaksojen määrän.
3. Paina "Höyry" vaihtaaksesi käyttöjaksoja tai vikakoodeja.
4. Kun kysyt vikakoodeja, painamalla "Lämpötila" siirryt sivulla ylöspäin ja "Linkous" siirryt alaspäin.
5. Painamalla "☺"-painiketta 3 sekunnin ajan poistut kyselytilasta.

KESKEYTYKSET JA OHJELMAN VAIHTAMINEN

PESUOHJELMAN VAIHTAMINEN

Pysäyttääksesi ja peruuttaaksesi pesuohjelman paina "VIRTA"-painiketta 2 sekunnin ajan. Valitse uusi ohjelma pyörittämällä nuppia ja valitse sitten lisätoiminnot. Paina käynnistys/keskeytys-painiketta lisäämättä pesuainetta uudelleen.

MANUAALINEN KESKEYTYS

Pysäyttääksesi ja peruuttaaksesi pesuohjelman paina "VIRTA"-painiketta 2 sekunnin ajan.

TAUKO-PAINIKE

Pesuohjelma voidaan aina pysäyttää painamalla KÄYNNISTYS/KESKEYTYS-painiketta. Pesuohjelma keskeytetään väliaikaisesti, kun jäljellä oleva aika vilkkuu näytössä. Jos rummussa ei ole vettä ja veden lämpötila ei ole liian korkea, luukun lukitus aukeaa ja se voidaan avata. Jatka pesuohjelmaa sulkemalla ensin luukku ja painamalla sitten KÄYNNISTYS/KESKEYTYS-painiketta.

PYYKIN LISÄÄMINEN/POISTAMINEN PESUKONEEN OLLESSA KÄYNNISSÄ

Aika vilkkuu näytössä pysäytyksen aikana. Jos edellytykset täyttyvät, luukun lukitus avautuu automaattisesti, jotta voit avata luukun ja lisätä tai poistaa pyykkejä. Jos luukun avaamisen edellytykset eivät täyty, luukku ei voida avata.

Kun olet lisännyt vaatteita kesken pesuohjelman, paina käynnistys/keskeytys-painiketta, niin pesuohjelma jatkuu.

☹️ Jos lisää huomattavan määrän pyykkiä koneeseen pesun aikana, pesutulos voi heikentyä, koska kone havaitsi aiemmin kevyemmän kuorman pyykkiä ja lisäsi vähemmän vettä. Riittämätön määrä vettä suhteessa pyykin määrään voi myös vahingoittaa pyykkejä (kuivan pyykin hankautuminen), ja pesuaika voi pidentyä.

☹️ Pesuaika jatkuu siitä, mihin pesuohjelma keskeytettiin.

☹️ Kun ohjelma pysäytetään kesken pyörimisen ja käynnistetään sitten uudelleen, se jatkuu alkuperäisestä tilasta.

VIRHEET

Ohjelma keskeytyy virhe- tai vikatilanteessa.

Merkkiäänä varoittaa tällaisesta tapauksesta (katso VIANMÄÄRITYSTAUUKKO), ja virhe ilmoitetaan näytössä (F:XX).

VIRRANSYÖTÖN VIKA

Virransyöttöhäiriön (sähkökatkoksen) sattuessa pesuohjelma keskeytyy. Kun virransyöttö palautuu, pesuohjelmaa jatketaan siitä kohdasta, jossa se keskeytyi.

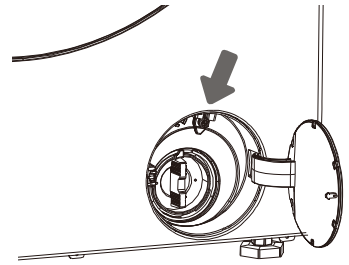
LUUKUN HÄTÄAVAUS

⚠ Jos koneessa on yhä vettä sähkökatkon jälkeen, älä avaa luukkua ennen kuin olet tyhjentänyt veden koneesta manuaalisesti pumpun suodattimen kautta.

Jos luukun avaaminen ei onnistu sähkökatkon tai muiden erityisolosuhteiden takia, poistopumpun luukussa olevaa luukun lukitusvipua voidaan käyttää hätäavaamiseen.

Huomautus:

1. Älä käytä sitä, kun kone toimii normaalisti;
2. Varmista ennen käyttöä, että sisärumpu on lopettanut pyörimisen ja ettei vesi ole kuumaa ja että veden taso on alle vaatteiden täyttöaukon. Jos veden taso on korkeammalla kuin vaatteiden täyttöaukko, poista vesi poistoletkun kautta (mikäli saatavilla) tai hitaasti ruuvaamalla auki pumpun suodatin.
3. Käyttövaiheet: Avaa poistopumpun luukun kansi, vedä lukkovipua alaspäin työkalulla, jolloin luukku voidaan avata (kuvan mukaisesti).



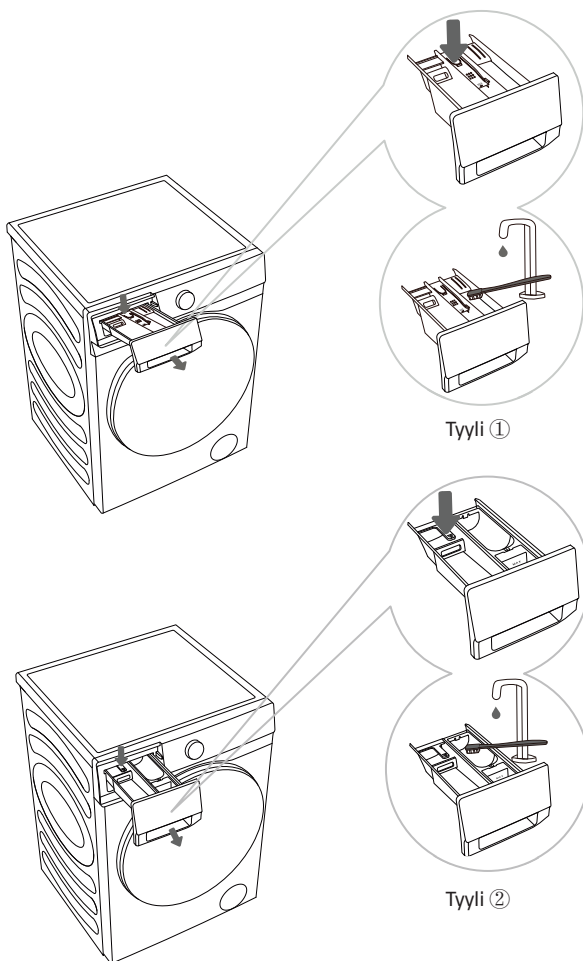
HUOLTO JA PUHDISTUS

⚠ Ennen puhdistusta, irrota pesukone verkkovirrasta.

☹ Lapset eivät saa puhdistaa pesukonetta tai tehdä sille huoltotöitä ilman valvontaa!

PESUAINELOKERON PUHDISTUS

☹ Puhdista pesuainelokero säännöllisesti.



Tyyli ①

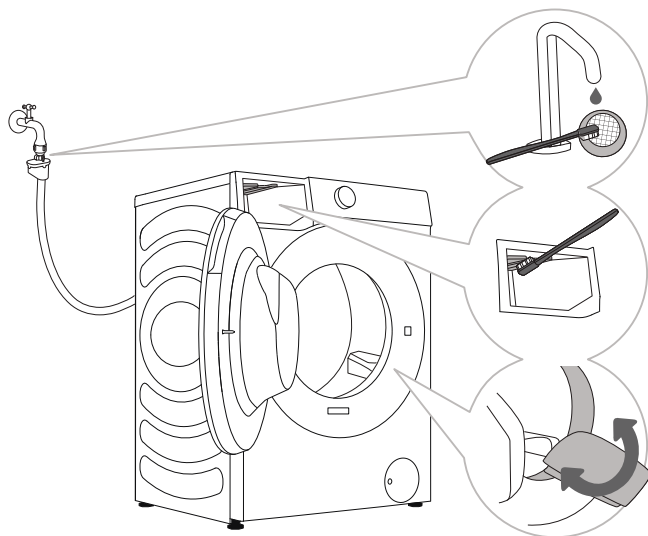
Tyyli ②

1 Pesuainelokeron saa irrotettua painamalla pientä kielekettä.

2 Puhdista pesuainelokero juoksevan veden alla harjan avulla ja kuivaa se. Poista myös pesuainejäämät. Irrota huuhteluaineosa pesuainelokerosta. Pese kaikki osat juoksevan veden alla ja asenna huuhteluaineosa takaisin pesuainelokeroon ja laita lokero koneeseen.

☹ Pesuainelokeroa ei saa pestä astianpesukoneessa.

VEDENSYÖTTÖLETKUN, PESUAINELOKERON JA LUUKUN KUMITIIVISTEEN PUHDISTUS

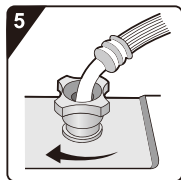
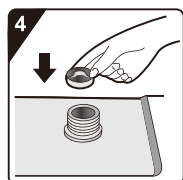
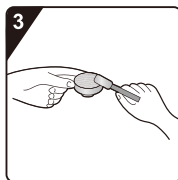
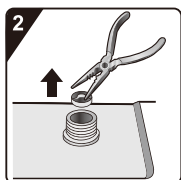
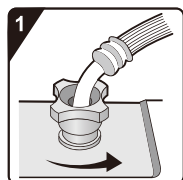


1 Puhdista verkkosuodatin säännöllisesti juoksevilla vedellä.

2 Puhdista koko pesuainelokero harjalla, erityisesti suuttimet yläosasta.

3 Pyyhi luukun kumitiiviste jokaisen pesukerran jälkeen pidentääksesi sen käyttöikä.

VEDEN TULOSUODATTIMEN PUHDISTAMINEN SÄÄNNÖLLISESTI



1 Sulje hana ja ruuvaa irti tuloletku laitteen takaa.

2 Vedä ulos verkkosuodatin laitteen liitoksesta yleispihdeillä.

3 Puhdista sisäinen verkkosuodatin.

4 Aseta verkkosuodatin takaisin paikalleen.

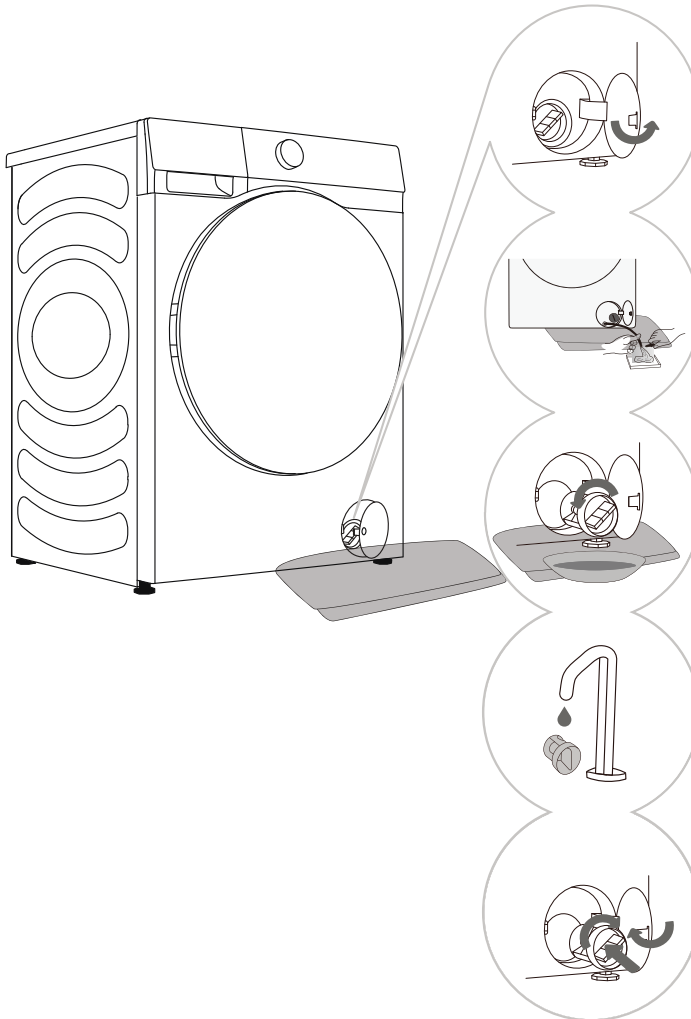
5 Ruuvaa vedensyöttöletku takaisin paikalleen. Avaa hana ja varmista, että liitokset ovat täysin vedenpitäviä.

☞ Veden tulosuodatin kerää kalkin ja muut sedimentit, joita voi olla laitteeseen syötetyssä vedessä. Puhdista tulosuodatin noin kuuden kuukauden välein tai useammin, jos vesi on erittäin kovaa tai sisältää kalkkia.

PUMPUN SUODATTIMEN PUHDISTUS

☼ Vettä saattaa läikkyä ulos puhdistuksen aikana. Suosittelemme laittamaan lattialle imukykyisen liinan.

Varmista, että vesi on jäähtynyt ennen sen vapauttamista laitteesta.



1 Avaa pumpun suodattimen tulppa. Tyyl 1: Paina luukun kantta ja se ponnahtaa auki automaattisesti. Tyyl 2: Avaa pumpun suodattimen tulppa sopivalla työkalulla. Tyyl 1 riippuu mallista.

2 Aseta pyyhe suodattimen luukun alle.

Jos koneessa on hätäpoistoletku, vedä hätäpoistoletku irti koneesta. Aseta hätäpoistoletkun pää astiaan.

Jos koneessa ei ole hätäpoistoletkua, aseta astia pumpun suodattimen alle.

Tyyli riippuu mallista. Käännä hätäpoistoletkun korkkia ja irrota se, jolloin vesi valuu ulos hitaasti. Aseta hätäpoistoletkun korkki takaisin paikalleen.

3 Käännä pumpun suodatinta hitaasti vastapäivään. Vedä ulos ja irrota pumpun suodatin.

4 Puhdista pumpun suodatin juoksevalle vedelle.

5 Aseta pumpun suodatin takaisin paikalleen kuvan mukaisesti ja kiristä se pyörittämällä sitä myötäpäivään. Suodattimen tiivisteeseen tulee olla puhdas hyvän tiiviyden varmistamiseksi.

☼ Pumpun suodatin tulee puhdistaa säännöllisesti ja erityisesti, kun on pesty nukkaavia, pörröisiä tai erittäin vanhoja pyykkejä.

☼ Puhdista pumpun suodatin, jos laite ei pysty aloittamaan linkousta tai jos pumpussa on likaa (nappeja, kolikoita, hiussolkia tai pinnejä jne.).

PESUKONEEN PUHDISTAMINEN ULKOPUOLELTA

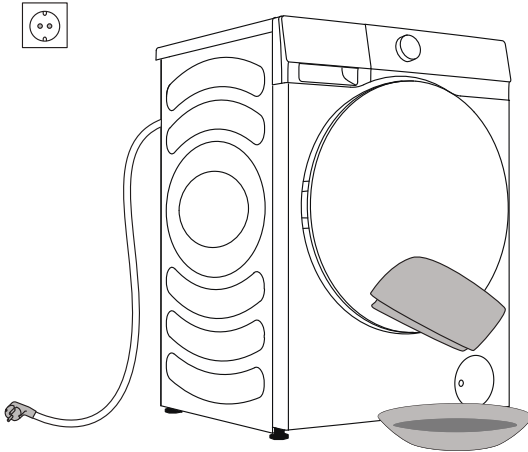
⚠ Irrota aina kone verkkovirrasta ennen sen puhdistamista.

Puhdista koneen ulko-osat ja näyttö pehmeällä, kostealla puuvillaliinalla ja vedellä. Pyyhi kone sitten kuivaksi pehmeällä, kuivalla liinalla.

⚠ Älä käytä liuottimia, hankaavia puhdistusaineita tai puhdistusaineita, jotka voivat vahingoittaa laitetta (katso puhdistusaineiden valmistajien suositukset ja varoitukset).

Mikäli tarpeen, pyyhi myös laitteen luukku kostealla liinalla ja kuivaa se pehmeällä, kuivalla liinalla.

☼ Älä puhdista pesukonetta vesisuihkulla!



VIANMÄÄRITYS

MITÄ TEHDÄ...?

Pesukone ohjaa automaattisesti tiettyjä toimintoja pesuohjelman aikana. Jos toiminnassa esiintyy poikkeamia, se ilmoitetaan näytössä (F:XX). Pesukone näyttää virheilmoitusta, kunnes se sammutetaan. Ympäristöstä (esim. sähköverkosta) peräisin olevat häiriöt voivat johtaa monenlaisiin virheraportteihin (katso VIANMÄÄRITYSTAULUKKO). Tässä tapauksessa:

- Sammuta pesukone ja odota muutama sekunti.
- Kytke pesukone päälle ja toista pesuohjelma.
- Useimmat käytön aikana esiintyvät virheet ovat käyttäjän ratkaistavissa (katso VIANMÄÄRITYSTAULUKKO).
- Jos virhe ei poistu, soita valtuutettuun huoltoliikkeeseen.
- Korjauksia saavat tehdä vain valtuutetut asentajat.
- Takuu ei kata korjausta tai takuuvaatimusta, joka johtuu pesukoneen virheellisestä liitännästä tai käytöstä. Tällaisissa tapauksissa korjauksesta koituvat kustannukset maksaa käyttäjä.

⚡ Takuu ei kata virheitä tai toimintahäiriöitä, jotka johtuvat ulkoisista tekijöistä (salamanisku, sähkökatkokset, luonnonkatastrofit jne.).

VIANMÄÄRITYS- JA VIRHETAULUKKO

Ongelma/virhe	Näytössä näkyvä ilmoitus ja ongelman kuvaus	Mitä tehdä?
F01	Veden täyttövirhe	Tarkista seuraavat: <ul style="list-style-type: none"> • Onko veden täyttöhana auki, onko paine liian alhainen? • Onko vedensyöttöletku puristuksissa? • Onko vedensyöttöletkun suodatin tukossa • Onko letku jäänyt? Paina sitten "käynnistys/keskeytys"-painiketta uudelleen.
F03	Veden tyhjennysvirhe	Tarkista seuraavat: <ul style="list-style-type: none"> • Onko letku puristuksissa, virtaako vesi sen läpi? • Onko poistoletkun suodatin tukossa • Onko letku jäänyt? Paina sitten "käynnistys/keskeytys"-painiketta uudelleen.
F04/F05/F06/F07/F23	Sähköisen moduulin virhe	Sammuta laite; paina "Virta"-painiketta 2 sekuntia. Paina "käynnistys/keskeytys"-painiketta uudelleen. Jos virhe ilmenee uudelleen, soita huoltoliikkeeseen.
F24	Vesi saavuttaa ylivuototason	Pysäytä ohjelma painamalla "käynnistys/keskeytys"-painiketta. Käynnistä ohjelma uudelleen. Jos laite jatkaa veden pumppaamista ulos, sulje vesihana ja soita huoltoliikkeeseen.
F13	Luukun lukitusvirhe	Luukku on kiinni, mutta se ei lukitu. Kytke pesukone pois päältä. Kytke se takaisin päälle ja käynnistä pesuohjelma uudestaan. Jos virhe ilmenee uudelleen, soita huoltoliikkeeseen.
F14	Luukun lukitusvirhe	Luukku on kiinni, mutta se ei avaudu. Sammuta laite ja käynnistä sitten uudelleen. Jos virhe ilmenee uudelleen, soita huoltoliikkeeseen.
Unb	Epätasapainohälytys	Epätasapainohälytys ratkaistaan seuraavilla tavoilla <ol style="list-style-type: none"> 1. Pyykit kiertyvät toisiinsa Sammuta pesukone painamalla "Virta"-painiketta 2 sekuntia, avaa luukku, ravistele pyykkiä ja laita ne takaisin pesukoneeseen, valitse sitten yksittäinen linkousohjelma ja yritä uudelleen. 2. Liian kevyt pyykki Sammuta painamalla "Virta"-painiketta 2 sekuntia, avaa luukku, lisää yksi pyyhe tai kaksi pyyhettä ja valitse sitten yksittäinen linkousohjelma ja yritä uudelleen.

PESUSUOSITUKSET JA PESUKONEEN TALOUDELLINEN KÄYTTÖ

Pese uudet värilliset vaatteet erillään ensimmäisellä kerralla.

Pese voimakkaasti likaantunut pyykki pienemmissä erissä, suuremmalla pesuainemäärällä tai käytä esipesuohjelmaa.

Levitä erityistä tahrannoistoaainetta pinttyneisiin tahroihin ennen pesua. Suosittelemme lukemaan TAHRANPOISTOVINKIT.

Jos peset usein pyykkiä alhaisella lämpötilalla ja nestemäisillä pyykinpesuaineilla, koneeseen voi syntyä bakteereja, jotka aiheuttavat epämiellyttävää hajua. Hajun välttämiseksi suosittelemme suorittamaan silloin tällöin puhdistusohjelman Rummun puhdistus.

Suosittellemme, että vältät erittäin pienten pyykkimäärien pesemistä, sillä tämä johtaa liialliseen energiankulutukseen ja pesukoneen heikompaan suorituskykyyn.

Avaa taiteltu pyykki ennen sen rumpuun laittamista.

Käytä vain konepesuun tarkoitettuja pesuaineita.

Lisää jauhemaista tai nestemäistä pesuainetta sen valmistajan ohjeiden mukaan ja lämpötilan ja valitun pesuohjelman perusteella.

Käytettäessä erittäin tiivistettyjä pesuaineita käytä erityistä annostelukuppia (tulee pesuaineen mukana) ja aseta se suoraan laitteen rumpuun.

Jos veden kovuus on yli 14°dH, on käytettävä vedenpehmentintä. Takuu ei kata lämmittimen vaurioita, jotka johtuvat vedenpehmentäjien vääränlaisesta käytöstä. Tarkista veden kovuustiedot paikalliselta vesilaitokselta tai viranomaisilta.

Klooripohjaisten valkaisuaineiden käyttöä ei suositella, sillä ne voivat vahingoittaa lämmitintä.

Jos käytät kalkinpoistoaainetta, valkaisuainetta tai väriainetta, varmista, että se soveltuu käytettäväksi laitteessa.

Älä käytä liuottimia tai vastaavia kemikaaleja (tinneriä, tärpättiä, bensiiniä jne.)!

Älä laita kovettunutta ja paakkuuntunutta jauhemaista pyykinpesuainetta pesuainelokeroon, sillä tämä voi tukkia koneen putket.

Käyttäessäsi paksuja nestemäisiä pyykinhoitoaineita suosittelemme ohentamaan niitä vedellä pesuainelokeron poistoaukon tukkeutumisen estämiseksi.

Nestemäiset pesuaineet on tarkoitettu pesuohjelmille ilman esipesuvaihetta.

TAHRANPOISTOVINKIT

Ennen erityisten tahranpoistoaineiden käyttämistä, kokeile vähemmän pinttyneiden tahrojen poistamiseen luonnollisia tapoja, jotka eivät vahingoita luontoa.

Toimi kuitenkin nopeasti! Kostuta tahra imukykyisellä sienellä tai talouspaperilla; huuhtelee sitten kylmällä (kädenlämpoisellä) vedellä – älä koskaan kuumalla vedellä!

Tahrat	Tahranpoisto
Muta	Kun tahra on kuiva, raaputa se ensin pois vaatteesta ennen konepesua. Jos tahra on pinttynyt, kastele se entsyymipohjaisella tahranpoistajalla ennen pesua. Jos tahra ei ole pinttynyt, poista se nestemäisellä pyykinpesuaineella tai jauhemaisella pyykinpesuaineella ja vedellä ennen pesua.
Antiperspirantti	Lisää pyykkiin nestemäistä pyykinpesuainetta ennen konepesua. Käytä tahranpoistoainetta pinttyneisiin tahroihin. Vaihtoehtoisesti voit käyttää pesuun happipohjaista valkaisuainetta.
Tee	Kastele tai huuhtelee pyykki kylmällä vedellä ja lisää tarvittaessa tahranpoistoainetta.
Suklaa	Kastele tai huuhtelee pyykki kädenlämpoisellä saippuavedellä. Lisää sitten sitruunamehua ja huuhtelee.
Muste	Käytä tahraan tahranpoistoaineita ennen konepesua. Voit myös käyttää denaturoitua alkoholia. Käännä vaate nurinpäin ja aseta paperipyyhe tahran alle. Käytä alkoholia tahran taustapuolelle. Tämän jälkeen huuhtelee vaate huolellisesti.
Huopatussit	Liota tärkkiä veteen ja levitä tahraan. Kun se on kuivunut, raaputa se pois harjalla; pese vaate koneessa.
Vauvanruoka (virtsa, muta, ruokatahrat)	Ennen konepesua liota tahroja kädenlämpoisessä vedessä vähintään puoli tuntia. Entsyymipohjainen tahranpoistoaine helpottaa tahrojen poistoa.
Ruoho	Ennen konepesua kastele pyykki entsyymipohjaisella tahranpoistoaineella. Ruohotahrat voidaan myös poistaa liottamalla (noin 1 tunti) laimennetussa sitruunamehussa tai väkiviinaetikassa.
Kananmunat	Kastele vaate entsyymipohjaisella tahranpoistoaineella. Liota kylmässä vedessä vähintään 30 minuuttia, tai muutama tunti, jos tahra on pinttynyt. Pese sitten pesukoneessa.
Kahvi	Liota vaatetta suolavedessä. Jos tahra ei ole tuore, liota sitä glyseriinin, ammoniakkin ja alkoholin seoksessa.
Kenkälankki	Levitä tahraan ruokaöljyä ja huuhtelee.

Tahrat	Tahrannoisto
Veri	Tuore tahr - huuhtelee vaate kylmällä vedellä ja pese koneessa. Kuivunut tahr - kastelee vaate entsyymipohjaisella tahrannoistoaineella. Pese sitten pesukoneessa. Jos tahr ei poistu, yritä poistaa se vaatteelle soveltuvalla valkaisuaineella.
Liima, purukumi	Laita vaate pussiin ja anna sen olla pakastimessa, kunnes tahr kovettuu. Poista sitten tahr tylsällä veitsellä. Ohenna tahrta esipesun tahrannoistoaineella ja huuhtelee huolellisesti. Pese pyykki sitten normaalisti.
Meikki	Käytä esipesuun tahrannoistajaa; pese sitten koneessa.
Voi	Käytä tahrta tahrannoistoainetta ennen konepesua. Huuhtelee sitten kuumalla vedellä (niin kuumalla kuin vaate kestää).
Maito	Kastelee vaate entsyymipohjaisella tahrannoistoaineella. Liota vähintään 30 minuuttia, tai muutama tunti, jos tahrat ovat pinttyneet. Pese sitten pesukoneessa.
Hedelmämehu	Levitä tahrta suolan ja veden seosta. Jätä vaikuttamaan hetkeksi ja huuhtelee sitten. Voit myös levittää tahrta ruokasoodaa, väkiviinaetikkaa tai sitruunamehua ennen konepesua. Käytä vanhoihin tahrtoihin glyseriiniä. Huuhtelee 20 minuutin kuluttua kylmällä vedellä, pese pyykki sitten koneessa.
Viini	Liota pyykkiä kylmässä vedessä vähintään 30 minuuttia. Käytä myös tahrannoistoainetta. Pese sitten pesukoneessa.
Vaha	Laita vaate pakastimeen, kunnes vaha kovettuu. Raaputa se sitten pois. Aseta paperipyyhe tahrta päälle ja irrota jäljelle jäänyt vaha kuumentamalla sitä silitysraudalla, kunnes paperi imee vahan.
Hiki	Hiero nestemäistä pyykinpesuainetta tahrta huolellisesti ennen konepesua.

TYYPILLISEN VIRRANKULUTUKSEN TAULUKKO

Ohjelman ohjeet

1. Eco 40-60 -ohjelmalla voidaan pestä normaalilukainen, 40-60 °C:ssa pestäväksi ilmoitettu puuvillapyykki samassa pyykissä ja samassa ohjelmassa ja tätä ohjelmaa käytetään arvioitaessa EU:n ekosuunnittelulainsäädännön noudattamista.
2. Koneen virrankulutus sammutettuna on 0,49 W.
3. Alhaisen virrankulutuksen pesuohjelmat ovat yleensä niitä, joissa on alhaisempi veden lämpötila ja pidempi ohjelman kesto.
4. Jos kotitalouksien pyykinpesukone täytetään valmistajan kullekin ohjelmalle ilmoittamaan kapasiteettiin asti, voidaan säästää energiaa ja vettä.
5. Pesuaineiden, huuhteluaineiden ja muiden lisäaineiden oikeanlainen käyttö. Älä käytä liikaa pesuainetta. Se voi heikentää pesutulosta.
6. Säännöllinen puhdistus, mukaan lukien sopiva aikaväli, ja kalkin ehkäisy ja poisto.
7. Meluun ja jäljellä olevaan kosteuspitoisuuteen vaikuttaa linkousnopeus: mitä suurempi linkousnopeus on linkousvaiheessa, sitä suurempi on melu ja sitä pienempi on jäljellä oleva kosteuspitoisuus.
8. Tuotetiedot ja QR-koodi löytyvät energiankulutusmerkinnästä. Tuotteen rekisteröintitiedot löytyvät skannaamalla QR-koodi.
9. Vakio-ohjelmien tiedot.

Ohjelma	Valittu lämpötila (°C)	Nimellis-kapasiteetti (kg)	Maksimi-lämpötila rummussa (°C)	Ohjelman kesto (t:min)	Energiankulutus (kWh/ohjelma)	Vedenkulutus (litraa/ohjelma)	Jäljelle jäävä kosteus (%)	Maksimilinkousnopeus (kierr./min)
Eco 40-60 täysi koneellinen	-	10,0	31	3:59	0,680	62,0	53,00	1400
Eco 40-60 puoli koneellista	-	5,0	26	3:00	0,410	47,0	53,00	1400
Eco 40-60 1/4 koneellinen	-	2,5	24	2:20	0,230	34,0	55,00	1400
20 °C	20	10,0	20	1:50	0,250	100,0	56,00	1400
Puuvilla	60	10,0	58	3:29	2,280	130,0	56,00	1400
Synteettiset	40	5,0	40	2:23	1,000	82,0	38,00	1400
Pika 15'	20	1,0	20	0:15	0,060	33,0	65,00	800

Muut arvot Eco 40-60 -ohjelmaa lukuun ottamatta ovat vain arvioita.

☼ Maksimi- tai nimelliskuormitus koskee standardin IEC 60456 mukaisesti valmistettua pyykkiä.

⚠ Koska pyykin tyyppi ja määrä, linkous, virtalähteen värähtely, ympäristölämpötila ja kosteus voivat vaihdella, pesuohjelman kesto ja virrankulutus voivat poiketa taulukossa esitetyistä arvoista. Pidätämme oikeuden kaikkiin käyttöohjeiden muutoksiin ja virheisiin.

Power International AS,
PO Box 523, N-1471 Lørenskog, Norway

Power Norjassa:
<https://www.power.no/kundeservice/>
P: 21 00 40 00

Power Tanskassa:
<https://www.power.dk/kundeservice/>
P: 70 33 80 80

Punkt 1 Tanskassa:
<https://www.punkt1.dk/kundeservice/>
P: 70 70 17 07

Power Suomessa:
<https://www.power.fi/tuki/asiakaspalvelu/>
P: 0305 0305

Power Ruotsissa:
<https://www.power.se/kundservice/>
P: 08 517 66 000

SIKKERHEDSOPLYSNINGER

1. Producenten forbeholder sig retten til, at lave ændringer produktet, som måtte anses for nødvendige eller nyttige uden at oplyse om dette i denne brugsvejledning.
2. Før vaskemaskinen tages i brug, bedes du læse denne vejledning omhyggeligt. Behold vejledningen til senere reference. Hvis du mister vejledningen ved et uheld, bedes du kontakte vores kundeservice og bede om en e-kopi.
3. Sørg for, at stikkontakten er jordforbundet ordentligt, og at vandforsyningen er pålidelig.
4. Dette apparat er ikke beregnet til brug af personer (herunder børn) med reduceret fysiske, følelsesmæssige eller mentale evner eller med manglende erfaring eller viden, medmindre de er under opsyn eller er blevet instrueret i hvordan apparatet bruges, af en person der er ansvarlig for deres sikkerhed.
5. Dette apparat må ikke bruges af børn under 8 år eller af personer med nedsatte fysiske, følelsesmæssige eller mentale evner eller med mangel på erfaring eller viden, hvis de ikke er under opsyn eller er blevet instrueret i, hvordan dette apparat bruges sikkert, og forstår risikoen ved at bruge det. Børn må ikke lege med dette apparat. Rengøring og vedligeholdelse må ikke udføres af børn uden opsyn.
6. Børn skal være under opsyn, så de ikke leger med apparatet.
7. Hvis ledningen er beskadiget, skal den udskiftes af enten producenten, serviceteknikeren eller af en tilsvarende kvalificeret person.
8. De nye slangesæt, der følger med apparatet, skal bruges, og dit gamle slangesæt må ikke bruges igen.

9. Apparater med ventilationsåbninger på bunden på ikke stå på tæpper, da det tildækker åbningerne.
10. Børn under 3 år skal holdes væk fra apparatet, medmindre de er under konstant opsyn.
11. Det maksimalt tilladte indløbsvandtryk er 1 MPa på apparater, der er beregnet til tilslutning til vandforsyningen. Det mindste tilladte indløbsvandtryk er 0,1 MPa, som apparatet skal bruge for, at virke ordentligt.
12. Den største tøjmenge, der kan vaskes, er 10 kg.
13. Produktet er kun til privat brug.
14. Apparatet er beregnet til brug i hjemmet og lignende steder som fx:
 - Personalekøkkener i butikker, kontorer og andre arbejdspladser;
 - på gårde;
 - af gæster på hoteller, moteller og andre boligmiljøer;
 - bed and breakfast-miljøer;
 - områder til fælles brug i boligblokke eller på vaskerier.

FØR VASKEMASKINEN TAGES I BRUG

1. Fjernelse af emballage og eftersyn

- Når du har pakket produktet ud, skal du sørge for at vaskemaskinen ikke er beskadiget. Hvis du er i tvivl, må du ikke bruge vaskemaskinen. Kontakt vores eftersalgsservice eller din lokale forhandler.
- Sørg for, at alt tilbehør og medfølgende dele er til stede.
- Hold emballagematerialerne (plastikposer, polystyrendele og lignende) uden for børns rækkevidde, da de er potentielt farlige.

2. Fjern transportboltene

- Vaskemaskinen er udstyret med transportbolte, for at undgå eventuelle indvendige skader under transport. Det er meget vigtigt, at disse transportbolte fjernes, før maskinen tages i brug.
- Når du har fjernet transportboltene, skal åbningerne dækkes til med de 4 medfølgende plastikhætter.

3. Opstilling af vaskemaskinen

- Apparatet skal opstilles på en solid og plan gulvflade, helst i et hjørne af rummet.
- Sørg for, at alle fire fødder står stabilt og hviler på gulvet. Sørg derefter for, at vaskemaskinen er helt i vater (brug et vaterpas).
- Sørg for, at ventilationsåbningerne på bunden af vaskemaskinen (hvis disse findes på din model) ikke tilstoppes af et tæppe eller andet materiale.

4. Vandtilførsel

- Sæt vandtilførselsslangen på apparatet, og sørg for at overholde reglerne fra dit lokale vandselskab.
- Vandindløb - Afhængig af model:
Enkelt indløb - Kun koldt vand
To indløb - Varmt og koldt vand
- Vandhane: Slangeforbindelse med 3/4-gevind

5. Dræning

- Sæt afløbsslangen på hæverten eller hægt den over kanten af en vask med den medfølgende "U"-bøjle.
- Hvis vaskemaskinen forbindes til et indbygget afløbssystem, skal du sørge for at sidstnævnte er udstyret med en udluftning, så vandet ikke fyldes på og drænes på samme tid (hæverteffekt).
- Spænd afløbsslangen ordentligt fast, så du undgår skoldning når maskinens drænes.

6. Elektrisk tilslutning

- Elforbindelserne skal udføres af en kvalificeret tekniker i overensstemmelse med producentens vejledninger og lokale sikkerhedsforskrifter.
- Oplysninger om spænding, strømforbrug og beskyttelseskrav findes på forsiden af lågeåbningen.
- Apparatet skal forbindes til strømforsyningen med et jordforbundet stik, der skal være i overensstemmelse med lokale el-regler. Vaskemaskinen skal jordforbindes, da dette er lovpligtigt. Producenten fralægger sig ethvert ansvar for skader på ejendom eller skader på personer eller dyr, som følge af manglende overholdelse af ovenstående vejledninger.
- Brug ikke forlængerledninger eller flere stikkontakter på samme tid. Sørg for, at stikkontakten er kraftig nok til at forsyne maskinen under opvarmningen.
- Træk altid stikket ud af stikkontakten før vedligeholdelse af vaskemaskinen.
- Når maskiner er stillet op, skal der altid være fri adgang til stikkontakten eller til afbrydelse fra strømforsyningen via en dobbeltpolet afbryder.
- Vaskemaskinen må ikke bruges, hvis den er blevet beskadiget under transporten. Kontakt vores eftersalgsservice.
- Strømkablet må kun udskiftes af vores eftersalgsservice.
- Apparatet må kun bruges i en privat husholdning, og kun til de foreskrevne formål.

FORHOLDSREGLER OG GENERELLE ANBEFALINGER

1. Emballage

- Emballagen er fuldt ud genbrugeligt og er mærket med genbrugssymbolet . Ved bortskaffelse af emballagen, skal gældende regler overholdes.

2. Bortskaffelse af emballage og opbrugte vaskemaskiner

- Vaskemaskinen er fremstillet af genbrugsmaterialer. Den skal bortskaffes i overensstemmelse med gældende lokale regler for bortskaffelse af affald.
- Før maskinen bortskaffes, skal du fjerne alle rester af vaskemiddel, knække lågehængslet og klippe strømkablet over, så vaskemaskinen gøres ubrugelig.



- Dette apparat er mærket i henhold til det europæiske direktiv om affald af elektrisk og elektronisk udstyr (WEEE). Korrekt bortskaffelse af dine gamle produkter vil hjælpe med at forhindre potentielle negative konsekvenser for miljøet og befolkningens sundhed.

Symbolet på produktet eller på de dokumenter, der følger med produktet, angiver, at dette apparat måske ikke behandles som husholdningsaffald. I stedet skal det bortskaffes på et egnet genbrugssted for elektrisk og elektronisk udstyr. Bortskaffelse skal udføres i overensstemmelse med lokale miljøbestemmelser for bortskaffelse af affald. Hvis du ønsker mere flere oplysninger om behandling, genbrug og genanvendelse af dette produkt, bedes du kontakte din lokale kommune, dit lokale affaldsdepot eller forhandleren, hvor du købte produktet.

3. Beliggenhed og omgivelser

- Opbevar ikke brændbare væsker i nærheden af apparatet.

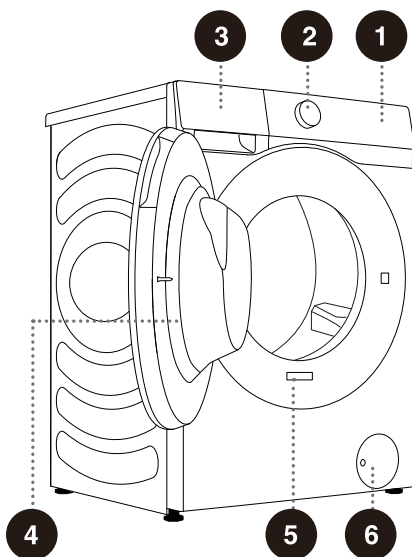
4. Sikkerhed

- Apparatet må ikke efterlades tilsluttet, når det ikke er i brug. Stikket må aldrig sættes i eller trækkes ud af stikkontakten med våde hænder.
- Sluk for vandhanen.
- Maskinen skal altid slukkes eller stikket skal altid trækkes ud af stikkontakten, før den rengøres eller vedligeholdes.
- Vaskemaskinens yderside skal rengøres med en fugtig klud. Brug ikke slibende rengøringsmidler.
- Lågen må aldrig tvinges open, og den må aldrig bruges som et trin.

BESKRIVELSE AF VASKEMASKINEN

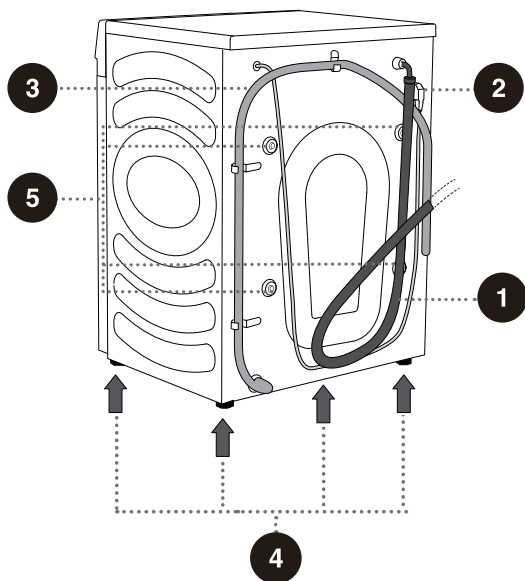
FORSIDE

- 1 Kontrolpanel
- 2 Programvælger
- 3 Sæbeskuffe
- 4 Låge
- 5 Typeplade
- 6 Dæksel til pumpefilter



BAGSIDE

- 1 Slange til vandforsyning
- 2 Ledning
- 3 Slange til vandafløb
- 4 Justerbare fødder
- 5 Transportstænger/-skruer



⚠ Illustrationerne i vejledningen er kun til reference. Da vores produkter konstant forbedres, kan udseendet, farven og de funktionelle dele af det faktiske produkt variere fra illustrationerne.

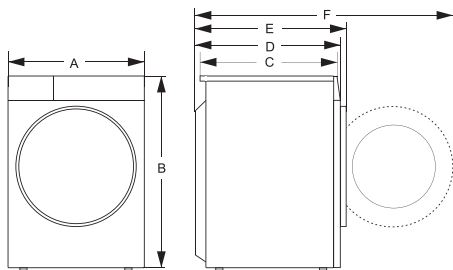
TEKNISKE SPECIFIKATIONER

(AFHÆNGIGT AF MODEL)

Typepladen med standardoplysninger om vaskemaskinen sidder på forsiden af vaskemaskinen på lågeåbningen (se afsnittet "BESKRIVELSE AF VASKEMASKINEN").

Maksimal kapacitet	10 kg
Vandtryk	0,1-1 MPa
Nominal spænding	220-240 V~
Nominal effekt	1.750 W
Frekvens	50 Hz
Klassificering for vandtæthed	IPX4

Mål (mm)



Indeks	Mål (mm)
A	595
B	845
C	560
D	590
E	620
F	1.100

INSTALLATION OG TILSLUTNING

• Fjern al emballage. Sørg for ikke at beskadige vaskemaskinen med skarpe genstande, når du fjerner emballagen. Hold emballagen (plastikposer, andre plastikdele osv.) uden for børns rækkevidde.

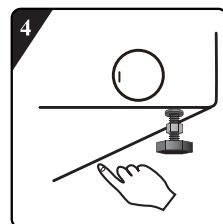
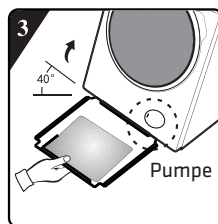
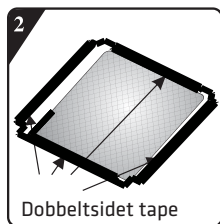
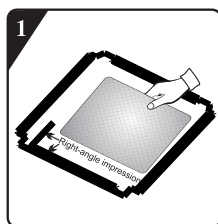
Kontrollér vaskemaskinen for eventuelle skader. Brug ikke vaskemaskinen, hvis du har mistanke om, at den er beskadiget. Kontakt straks serviceafdelingen.

Vaskemaskinen leveres med et tilbehørssæt med følgende dele:

- Brugervejledning
- 4 plastikpropper
- Slange til vandforsyning
- Holder til afløbsslange
- Skruenøgle
- Støjreducerende plade

Kontrollér, at alle dele er til stede.

INSTALLATION AF STØJREDUCERENDE PLADE



1 Før du installerer den støjreducerende plade, skal du flugte og tape den akustiske absorptionsuld langs den højrevinklede rille i den støjreducerende plade (proceduren er unødvendig for nogle modeller uden akustisk absorptionsuld).

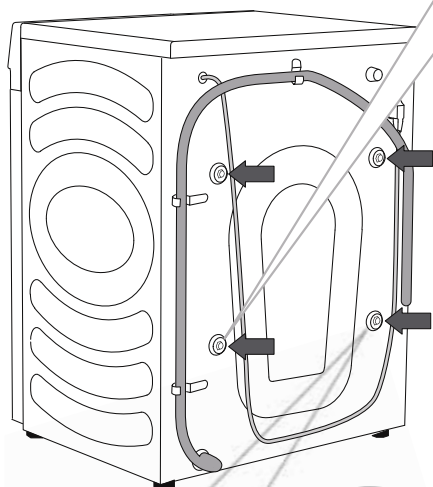
3 Vip vaskemaskinen bagover i en vinkel på 40° med siden med den højrevinklede rille vendende mod forsiden af vaskemaskinen som vist på figuren. Sæt siden med den skråvinklede rille mellem to fodskruer på bagsiden af vaskemaskinen, så den sidder fuldstændig fast. Installér derefter støjreduktionspladen, og sørg for, at den rører bunden af apparatet fuldstændig.

2 Fjern dækpapiret på den dobbeltsidede tape på fire sider af bundpladen.

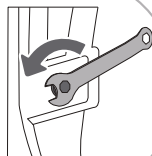
4 Tryk på den dobbeltsidede tape på fire sider med hånden for at fastgøre den støjreducerende plade forsvarligt til vaskemaskinen.

FJERNELSE AF TRANSPORTSTÆNGER/-SKRUER

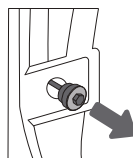
⚠ Transportstængerne/-skrueerne skal fjernes før første brug af vaskemaskinen. En vaskemaskine med installerede transportstænger/-skrueer kan blive beskadiget, når den tændes første gang. Garantien dækker ikke sådanne skader.



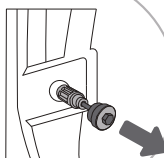
Der vises en ledningsklemme her, der også skal fjernes.



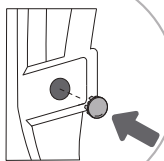
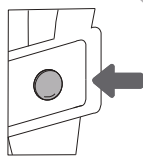
1 Læg slangerne til side, og brug en passende skruenøgle til at fjerne de 4 skrueer på bagsiden af vaskemaskinen ved at dreje dem mod uret som vist med pilen. Løsn dem ca. 30 mm.



2 Træk alle fire transportstænger/-skrueer ud i vandret retning.



3 Træk transportstængerne/-skrueerne ud tillige med gummi- og plastikdelen.



4 Sæt plastikpropper i de fire huller, hvor transportstængerne/-skrueerne sad. Plastikpropperne ligger i posen med brugervejledningen til vaskemaskinen (tilbehørsættet).

⚠ Gem transportstængerne/-skrueerne i tilfælde af, at du skal transportere vaskemaskinen på et senere tidspunkt (følg proceduren ovenfor i omvendt rækkefølge for at sætte transportstængerne/-skrueerne igen).

FLYTNING OG TRANSPORT EFTER INSTALLATION

☞ Hvis du skal flytte vaskemaskinen efter installationen, skal transportstængerne/-skrueerne sættes i igen for at forhindre vibrationskader på vaskemaskinen under transporten (se afsnittet "INSTALLATION OG TILSLUTNING/Fjernelse af transportstænger/-skrueer"). Hvis du ikke længere er i besiddelse af transportstængerne/-skrueerne, kan du bestille nye hos producenten.

Pak al emballage (plastikposer, andre plastikdele osv.) sammen.

⚠ Efter en transport skal vaskemaskinen stå i mindst to timer for at opnå samme temperatur som rumtemperaturen, før den slutes til elsystemet. Vaskemaskinen skal installeres og tilsluttes af en uddannet tekniker.

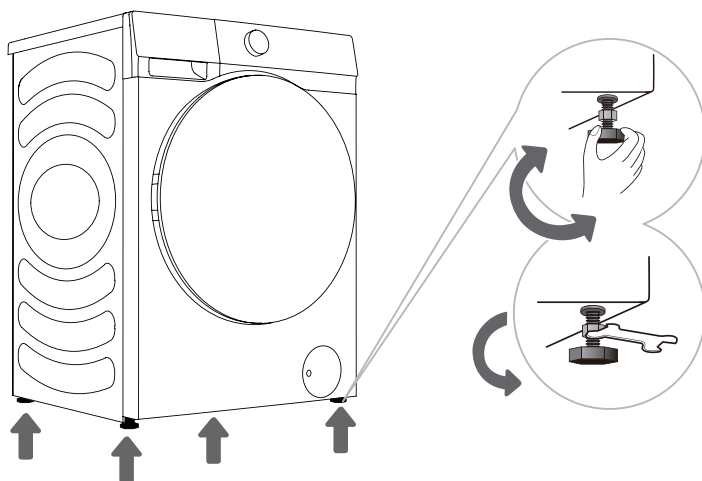
⚠ Læs brugervejledningen omhyggeligt, før du tilslutter vaskemaskinen. Reparation eller reklamation under garantien, der vedrører ukorrekt tilslutning eller brug af vaskemaskinen, dækkes ikke af garantien.

VALG AF RUM

- ⚠ Vaskemaskinen skal stå på et plant og stabilt underlag. Underlaget, hvor vaskemaskinen anbringes, skal have et betonfundament. Det skal være rent og tørt. Ellers kan vaskemaskinen skride. Rengør også bunden af de justerbare fødder.

JUSTERING AF FØDDER PÅ VASKEMASKINEN

Brug et vaterpas og den medfølgende skruenøgle.



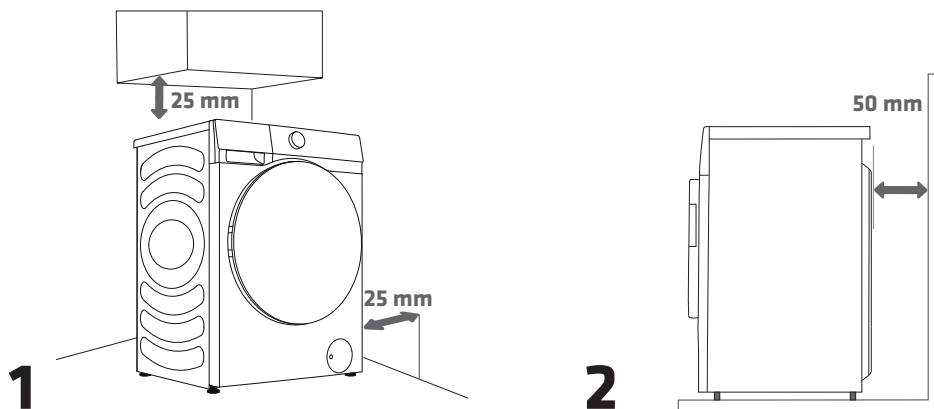
1 Drej de justerbare fødder for at bringe vaskemaskinen i niveau i længderetningen og tværretningen. Justeringsintervallet for fødderne er +/- 2 cm.

2 Stram kontramøtrikkerne fast med den medfølgende skruenøgle efter justeringen af højden af fødderne ved at dreje dem mod bunden af vaskemaskinen (se figuren).

- ⚠ Ukorrekt nivellering af vaskemaskinen ved hjælp af de justerbare fødder kan medføre vibrationer, og at vaskemaskinen glider hen over gulvet, samt støj under brugen. Ukorrekt nivellering af vaskemaskinen er ikke omfattet af garantien.

- ⚠ Der kan sommetider høres usædvanlige eller høje lyde, når du bruger vaskemaskinen. Dette skyldes for det meste ukorrekt installation.

Frirum ved installation af vaskemaskine



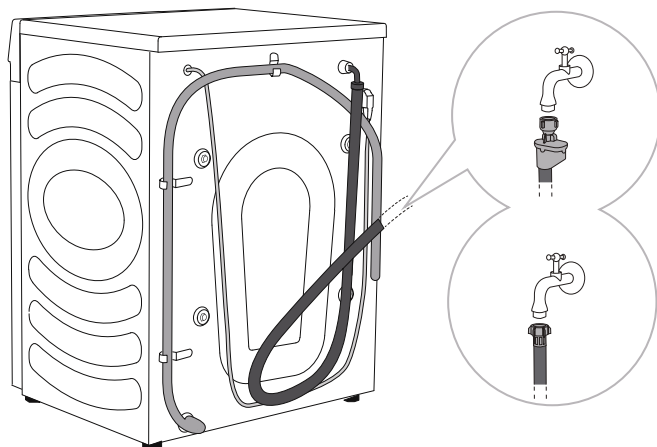
⚠ Vaskemaskinen må ikke røre ved vægge eller tilstødende møbler. For at opnå den bedst mulige drift af vaskemaskinen anbefaler vi at følge de i figuren angivne frirum fra væggene.

Hvis de påkrævede minimumsfrirum ikke følges, kan der ikke garanteres en sikker og korrekt drift af vaskemaskinen. Der kan endvidere opstå overophedning (figur 1 og 2).

⚠ Det anbefales ikke at indbygge vaskemaskinen under en bordplade.

TILSLUTNING TIL VANDFORSYNING

Fastgør slangen til vandhanen ved at skrue den på gevindtet.



A AQUASTOP

B ALMINDELIG
TILSLUTNING

• Ved normal drift af vaskemaskinen skal trykket i vandrøret ligge i intervallet 0,1-1 MPa (1-10 bar, 1-10 kp/cm², 10-100 N/cm²). Det minimale dynamiske vandtryk kan fastslås ved at måle gennemstrømningsmængden. Der skal strømme 3 liter vand fra en fuldt åben vandhane på 15 sekunder.

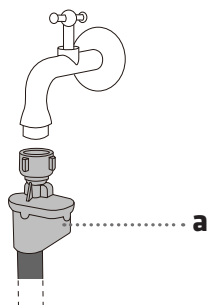
• Stram slangen til vandforsyningen tilstrækkeligt med hånden, så tilslutningen er god (maks. 2 Nm). Når slangen er tilsluttet, skal tilslutningen kontrolleres for lækage. Brug ikke en tang eller et lignende værktøj til tilslutningen af slangen, da det kan beskadige gevindtet på møtrikken.

• Brug kun slangen til vandforsyning, der fulgte med vaskemaskinen. Brug ikke brugte slanger eller andre slanger.

• Kontrollér, at slangen ikke er beskadiget. Hvis slangens tilstand er dårlig, eller slangen er skørnet eller har revner, skal den udskiftes.

AQUASTOP (KUN NOGLE MODELLER)

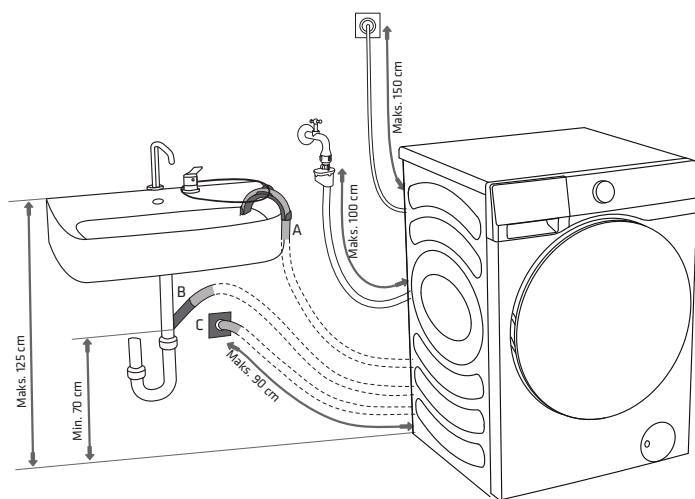
Hvis et indvendigt rør eller en indvendig slange beskadiges, aktiveres et afspærringssystem, der lukker for vandforsyningen til vaskemaskinen. I sådanne tilfælde bliver kontrolglasset (a) rødt. Udskift slangen til vandforsyningen.



- ⚠ Læg ikke slangen til vandforsyningen med aquastop-systemet ned i vand, da systemet indeholder en elektrisk ventil.
- ⚠ Slangen til vandforsyningen kan tilsluttes uden en ikke-returløbsventil.
- ⚠ Når du slutter slangen til vandforsyningen, skal du sørge for at tilslutte den således, at vandforsyningen er tilstrækkelig og uden forhindringer.

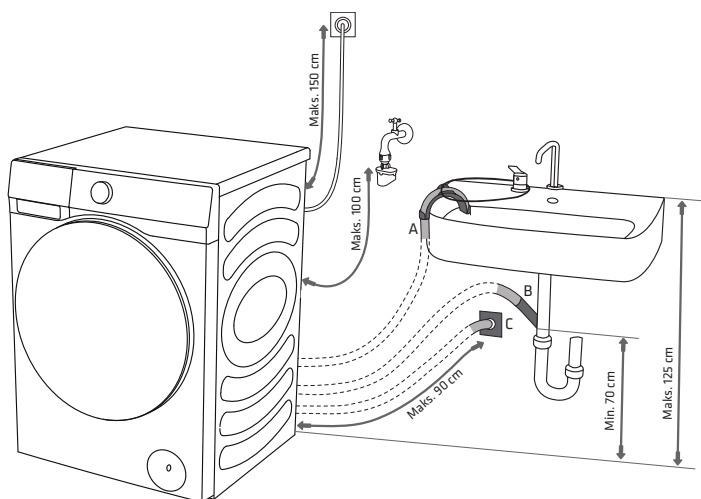
TILSLUTNING OG SIKRING AF SLAGEN TIL VANDAFLØB

Læg slangen til vandafløbet ned i en håndvask eller et badekar, eller slut den direkte til et afløb (minimumsdiameteren for slangen til vandafløbet er 4 cm). Den lodrette afstand fra gulvet til enden af slangen til vandafløbet må ikke være over 100 cm og skal være mindst 60 cm. Slangen kan fastgøres på tre måder (A, B, C).

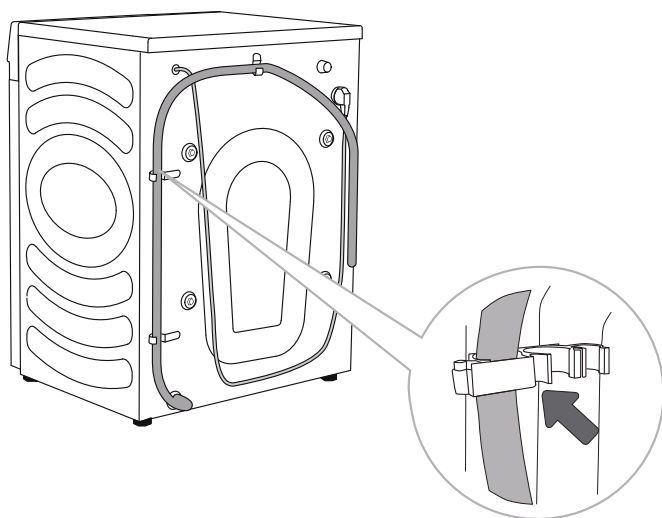


A Slangen til vandafløbet kan anbringes i en håndvask eller et badekar. Brug en snor, der føres igennem knæstøtten, til at fastgøre slangen og forhindre den i at falde ned på gulvet.

B Slangen til vandafløbet kan også fastgøres direkte til afløbet på en håndvask. En håndvask, der er for lille, kan ikke bruges. Vær forsigtig, da afløbsvandet kan være varmt.



C Slangen til vandafløbet kan også fastgøres til et vægfløb med en vandlås, der skal være korrekt installeret for at give mulighed for rengøring.

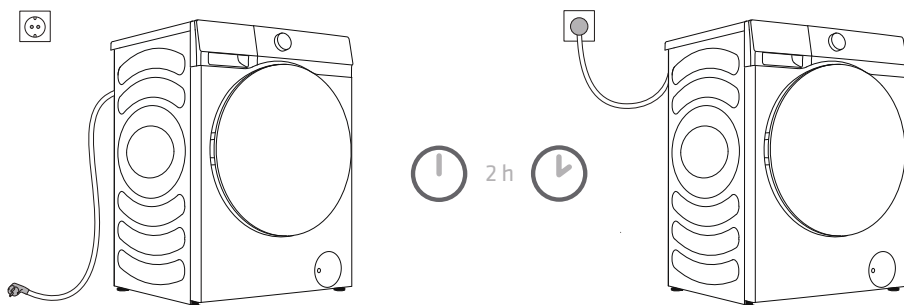


D Slangen til vandafløbet skal fastgøres til klemmen på bagsiden af vaskemaskinen som vist på figuren.

⚠ Kontrollér, at slangen til vandafløbet ikke er beskadiget.

⚠ Hvis slangen til vandafløbet ikke er korrekt fastgjort, kan der ikke garanteres en sikker og korrekt drift af vaskemaskinen.

TILSLUTNING AF VASKEMASKINEN TIL ELSYSTEMET



⚠ Vent mindst 2 timer, indtil vaskemaskinen har nået rumtemperaturen, før du slutter den til elsystemet.

Slut vaskemaskinen til en stikkontakt med jordforbindelse. Stikkontakten skal være frit tilgængelig efter tilslutningen. Stikkontakten skal være forsynet med en jordforbindelse (i overensstemmelse med relevante bestemmelser).

Oplysninger om din vaskemaskine findes på typepladen.

⚠ Vi anbefaler, at du bruger overspændingsbeskyttelse for at beskytte vaskemaskinen i tilfælde af lynnedslag.

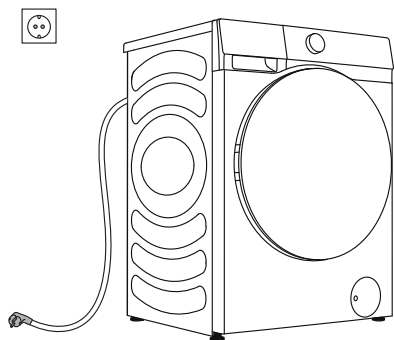
⚠ Vaskemaskinen må ikke tilsluttes elsystemet ved hjælp af en forlængerledning.

- ⚡ Slut ikke vaskemaskinen til en stikkontakt, der er beregnet til en elektrisk barbermaskine eller hårtørrer.
- ⚡ Sæt ikke stikket til vaskemaskinen i stikkontakten, og træk ikke stikket ud med våde hænder.
- ⚡ Eventuel reparation og vedligeholdelse vedrørende sikkerhed og ydelse skal udføres af uddannede fagfolk.
- ⚡ En beskadiget ledning må kun udskiftes af en person, der er godkendt af producenten.

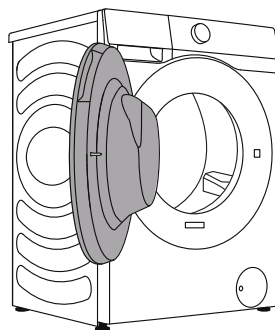
FØR FØRSTE BRUG AF VASKEMASKINE

Kontrollér, at vaskemaskinen er afbrudt fra elsystemet. Åbn derefter lågen (figur 1 og 2).

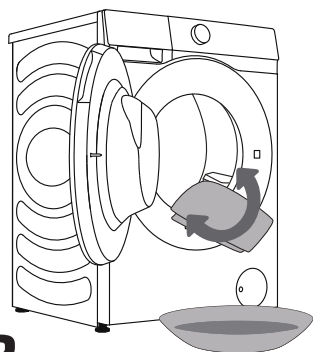
Før du bruger vaskemaskinen første gang, skal du rengøre tromlen med en blød og fugtig bomuldsklud eller bruge programmet Tromlerengøring. Her skal du slutte vaskemaskinen til strømforsyningen og åbne vandhanen. Der må ikke være vasketøj i tromlen, der skal være tom (figur 3 og 4).



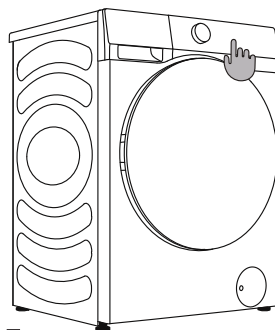
1



2



3




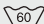
























4

⚠ Brug ikke opløsningsmidler eller rengøringsmidler, der kan beskadige vaskemaskinen. (Følg anbefalingerne og advarslerne fra producenten af rengøringsmidlet).

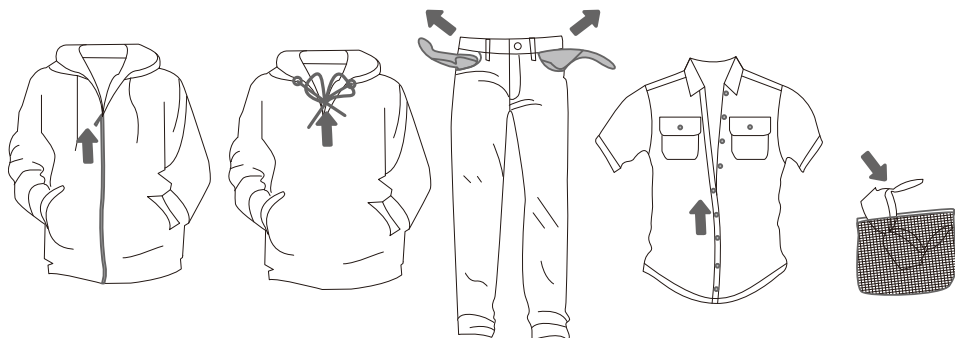
VASKEPROCES, TRIN FOR TRIN (1-6)

TRIN 1: FØLG MÆRKATERNE PÅ VASKETØJET

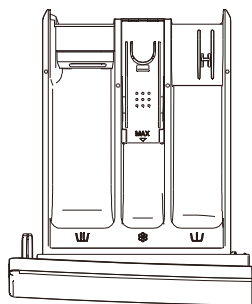
Normal vask, sart vasketøj	Maks. vaske-temperatur 95 °C  	Maks. vaske-temperatur 60 °C  	Maks. vaske-temperatur 40 °C  	Maks. vaske-temperatur 30 °C  	Kun håndvask 	Må ikke vaskes 
Blegning	Blegning i koldt vand 			Må ikke bleges 		
Kemisk rensning	Kemisk rensning med alle midler 	Petroleumsbaseret opløsningsmiddel R11, R113 	Kemisk rensning med petroleum, ren alkohol og R113 	Må ikke renses kemisk 		
Strygning	Strygning med varmt strygejern, maks. 200 °C 	Strygning med varmt strygejern, maks. 150 °C 	Strygning med varmt strygejern, maks. 110 °C 	Må ikke stryges 		
Tørring	Tør fladt (læg på en flad overflade) 	Dryptørring  Tørring på tørresnor 	Høj temperatur  Lav temperatur 		Må ikke tørretumbles 	

TRIN 2: KLARGØRING AF VASKEPROCES

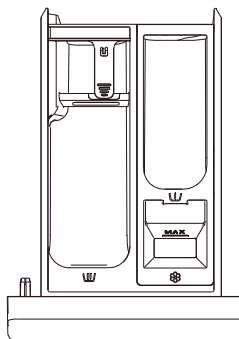
1. Sortér vasketøjet efter stoftype, farve, tilsmudsning, maskinkapacitet og tilladt vasketemperatur (se TABEL OVER PROGRAMMER).
2. Knap knapper, og luk lynlåse. Bind eventuelle bånd, og vend indersiden af lommerne ud. Fjern eventuelle metalgenstande, der kan beskadige vasketøjet og vaskemaskinen indvendigt eller tilstoppe afløbet.
3. Læg meget sart tøj og småting i en vaskepose.



► TILSÆTNING AF VASKEMIDDEL/ BLØDGØRINGSMIDDEL



Udformning ①



Udformning ②

Symboler på sæbeskuffen

	Forvask
	Hovedvask
	Blødgøringsmiddel

(Udformningen af sæbeskuffen afhænger af modellen)

• Vi anbefaler at tilsætte vaskemidlet lige før vaskeprogrammet. Hvis du tilsætter det tidligere, skal du sørge for, at rummet til vaskemidlet i sæbeskuffen er helt tørt, før du tilsætter vaskemidlet. Ellers kan vaskemidlet klumpe sammen før starten af vaskeprocessen.

• Hæld blødgøringsmidlet i rummet i sæbeskuffen med symbolet . Følg anbefalingerne på emballagen til blødgøringsmidlet.

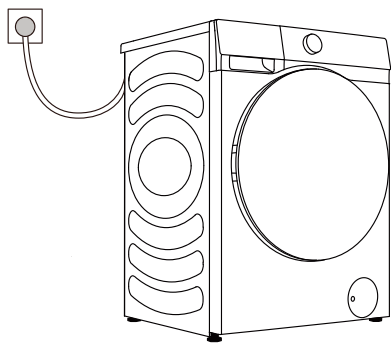
• Fyld ikke rummet til blødgøringsmiddel over det angivne maksimumsniveau. Ellers tilsættes blødgøringsmidlet for tidligt til vasketøjet, hvilket giver et ringere vaskeresultat.

• Hold vaskemiddel og tilsætningsstoffer uden for børns rækkevidde.

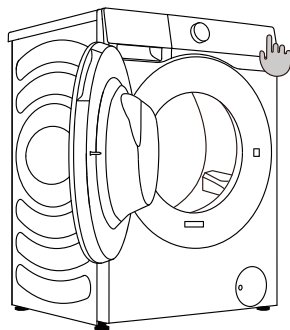
TÆNDING AF VASKEMASKINE

Brug ledningen til at slutte vaskemaskinen til elsystemet, og slut vaskemaskinen til vandforsyningen.

Tænd vaskemaskinen ved at trykke på knappen "STRØM" (figur 1 og 2).



1



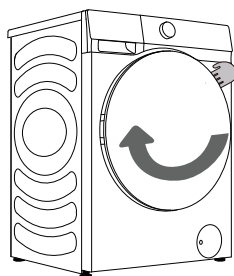
2

ILÆGNING AF VASKETØJ I VASKEMASKINE

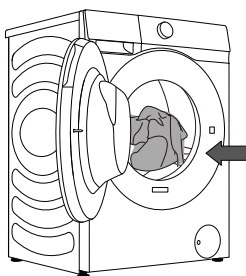
Åbn lågen til vaskemaskinen ved at trække håndtaget mod dig (figur 1).

Læg vasketøjet ind i tromlen (sørg først for, at tromlen er tom) (figur 2).

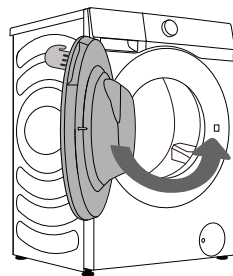
Luk lågen til vaskemaskinen (figur 3). Lågen er lukket, når du hører et klik.



1



2



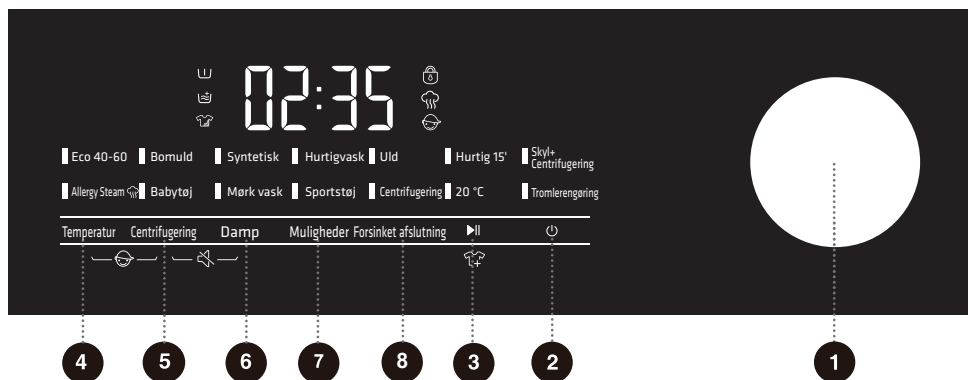
3

⚠ Prøv aldrig at åbne lågen med magt. Lågen må heller ikke åbnes, når vaskemaskinen er i gang.

Fyld ikke for meget tøj i tromlen! Se TABEL OVER PROGRAMMER, og følg vasketøjsmængden, der er angivet på typepladen.

Vasketøjet vaskes ikke grundigt, hvis der er for meget vasketøj i tromlen.

KONTROLPANEL



1 PROGRAMVÆLGER

Drej knappen for at vælge et program.

2 STRØM

Tryk for at tænde/slukke vaskemaskinen.

3 START/SÆT PÅ PAUSE

Start/Sæt vaskeprogrammet på pause.

4 TEMPERATUR

Tryk for at ændre vasketemperaturen.

5 CENTRIFUGERING

Tryk for at ændre centrifugeringshastigheden for det aktuelle program.

6 DAMP

Tryk for at vælge programmet Damp.

7 MULIGHEDER

Tryk på knappen for at vælge flere funktioner.

8 FOSINKET AFSLUTNING

Forsinket afslutning giver dig mulighed for at indstille sluttidspunktet for det aktuelle program.

4+5 BØRNELÅS

Tryk på samme tid på knapperne for at aktivere eller deaktivere børnelåsen.

5+6 SLÅ LYD FRA/TIL

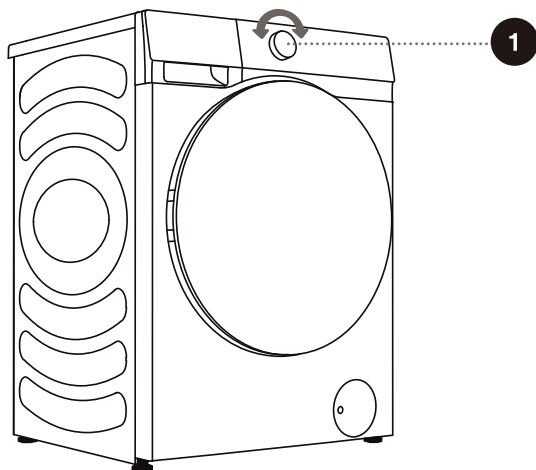
Tryk på samme tid på knapperne for at slukke eller tænde lydsignalerne.

TRIN 3: VALG AF VASKEPROGRAM

Vælg program ved at dreje programvælgerknappen (1) til venstre eller højre (afhængigt af type vasketøj og graden af tilsmudsning). **Se tabellen over programmer.**



1



⚠ Programvælgerknappen drejer ikke automatisk, når vaskemaskinen kører.

TABEL OVER PROGRAMMER

Program	Maks. vasketøjsmængde	Maks. centrifugeringshastighed (o./min)	Beskrivelse af program
Eco 40-60 -	10 kg	1.400	Normalt tilsmudset vasketøj af bomuld.
Bomuld (--, 20 °C, 30 °C, 40 °C, 60 °C, 90 °C)	10 kg	1.400	Meget eller moderat tilsmudset vasketøj af bomuld eller hør. Vælg programmet "Forvask" til meget stærkt tilsmudset tøj.
Syntetisk (--, 20 °C, 30 °C, 40 °C, 60 °C)	5 kg	1.400	Til stoffer, som er fremstillet af polyester (diolen, trevira), polyamid (perlon, nylon) og lignende.
Hurtigvask (--, 20 °C, 30 °C, 40 °C, 60 °C)	5 kg	1.400	Blandet moderat tilsmudset vasketøj af bomuld og syntetiske stoffer. Programmet varer 58 minutter, når du vælger 0-40 °C, og 78 minutter, når du vælger 60 °C.
Uld (--, 20 °C, 30 °C, 40 °C)	2 kg	600	Programmet er egnet til uld, der kan vaskes i vaskemaskine.
Hurtig 15' (--, 20 °C, 30 °C, 40 °C)	2 kg	800	Programmet er egnet til bomuld og blandingsstoffer. Det er egnet til nyt eller lidt brugt tøj. Vasketiden forlænges, hvis du ændrer standardindstillingerne.
Skyl+Centrifugering -	10 kg	1.400	Programmet består som standard af to skyl og centrifugeringer.
Allergy Steam (60 °C)	2 kg	1.400	Det er egnet til stoffer, som er modstandsdygtige over for høj temperatur, og som falmer mindre, og fjerner allergener såsom pollen, mider og parasitter ved hjælp af damp med høj temperatur.
Babytøj (40 °C, 60 °C, 90 °C)	2 kg	1.400	Det er egnet til babytøj og undertøj og steriliserer og desinficerer ved hjælp af damp med høj temperatur.
Mørk vask (--, 20 °C, 30 °C, 40 °C, 60 °C)	5 kg	1.000	Egnet til mørkt tøj, der kan vaskes i vaskemaskine.

Program	Maks. vasketøjsmængde	Maks. centrifugeringshastighed (o./min)	Beskrivelse af program
Sportstøj (--, 20 °C, 30 °C, 40 °C)	4 kg	1.000	Programmet er egnet til sportstøj og fritidstøj fremstillet af stoffer af mikrofibere.
Centrifugering -	10 kg	1.400	Du kan manuelt vælge varighed og hastighed for centrifugeringen i programmet.
20 °C (20 °C)	10 kg	1.400	Programmet er egnet til lettere plettet bomuldstøj. Sparer energi.
Tromlerengøring (90 °C)	/	800	Programmet bruges til rengøring af tromlen og fjernelse af eventuelle rester af vaskemiddel samt bakterier, der kan ophobes og udvikles, specielt når du bruger programmer med lav vasketemperatur. Tromlen skal være tom. Brug programmet mindst en gang om måneden.

BEMÆRK:

- 1) Vandtemperatur: Vælg den relevante vandtemperatur til det valgte vaskeprogram. Følg altid tøjproducentens vaskeanvisning eller instruktioner om vask for at undgå at beskadige tøjet.
- 2) Den faktiske vandtemperatur kan variere fra temperaturen angivet i programmet.
- 3) Vaskeresultatet afhænger af vandtryk, vandets hårdhedsgrad, temperaturen ved vandindløb, rumtemperatur, type og vasketøjsmængde, grad af tilsmudsning, anvendt vaskemiddel, svingninger i elforsyningen og valgte yderligere muligheder.
- 4) Neutralt vaskemiddel (ikke-skummende) anbefales.
- 5) Hvis du lægger en større mængde vasketøj i vaskemaskinen under vasken, bliver vaskeresultatet for tøjet muligvis mindre effektivt, fordi vaskemaskinen ved starten registrerede en lavere vægt af vasketøj og tilføjede en mindre vandmængde. En utilstrækkelig vandmængde i forhold til mængden af vasketøj kan også medføre skader på vasketøjet (tørt vasketøj, der gnider mod hinanden), og vasketiden kan være længere.

☺ Den maksimale mængde af vasketøj til vask er vist på typepladen i kg (for bomuldsprogrammet).

☺ Maksimal eller nominal mængde vasketøj gælder for vasketøj, der er klargjort i henhold til standarden IEC 60456.

☺ Vi anbefaler at fylde tromlen 2/3 op med vasketøj for at få et bedre vaskeresultat, når du bruger bomuldsprogrammerne.

VALG AF VASKEMIDDEL OG TILSÆTNINGSSTOFFER

Vælg altid højeffektive vaskemidler, som ikke skummer, og som er beregnet til frontbetjente vaskemaskiner.

Valget af vaskemiddel afhænger af type, tilsmudsningsgrad, vasketøjets farve og vasketemperaturen.

• Der kan forekomme hvide rester (streger osv.) på sort vasketøj, hvis du bruger moderne fosfatfri vaskemidler. Hvis dette sker, skal du børste stregerne med lidt flydende vaskemiddel.

Brug kun vaskemidler, der er beregnet til vaskemaskiner til husholdningsbrug.

Afkalkningsmidler kan beskadige vaskemaskinen. Vask ikke tøj, der er rensset med opløsningsmidler eller brændbare stoffer.

Følg producentens anvisninger om dosering af vaskemidlet.

For meget vaskemiddel kan medføre skumdannelse, som igen reducerer vaskeresultatet. Hvis vaskemaskinen registrerer for meget skum, kan det forhindre udførelsen af centrifugeringsprogrammet. Hvis der anvendes for lidt vaskemiddel, bevares den hvide farve på vasketøjet muligvis ikke efter en periode. Det kan også medføre ophobning af kalk i tromlen og rørene.

TRIN 4: VALG AF FLERE INDSTILLINGER OG FUNKTIONER

De fleste programmer har standardindstillinger. Indstillingerne kan ændres.

Justér indstillingerne ved at trykke på den relevante programknap (før du trykker på knappen START/SÆT PÅ PAUSE).

• Aktivér/deaktiver funktionerne ved at trykke på den ønskede funktion (før du trykker på knappen START/SÆT PÅ PAUSE).

• Visse indstillinger kan ikke vælges sammen med nogle programmer. Disse indstillinger er ikke markerede, og der lyder et akustisk signal, når der trykkes på den relevante knap (se TABEL OVER FUNKTIONER).

De yderligere indstillinger og funktioner kan kun indstilles i standbytilstanden for det pågældende program, dvs. før programmet starter, og kan ikke vælges, når programmet kører.



2 Strøm

Til at tænde/slukke vaskemaskinen.

Tryk og hold på strømtasten for at aktivere slukningstilstand, når vaskemaskinen er i standby. Vaskemaskinen lukker automatisk ned i standby, eller den er i skærmen for programafslutning eller skærmen for påmindelse om forsøg på vask igen, hvis der ikke udføres en handling i løbet af to minutter.

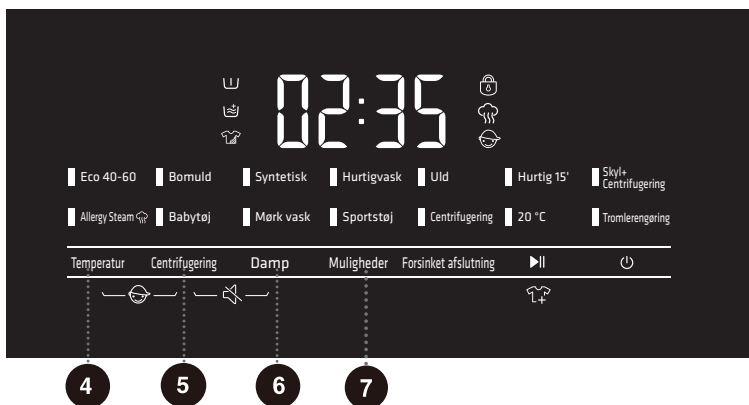
Alle visninger og outputs er slukkede i slukningstilstanden, og fjernstart understøttes ikke.

3 Start/Sæt på pause

Til at starte eller midlertidigt stoppe et igangværende program.

Hvis lågen til vaskemaskinen ikke er lukket, eller hvis lågelåsen ikke er aktiveret, starter vaskemaskinen ikke, og der vises en alarm på kontrolpanelet.

Efter starten af en program, eller når pausetilstanden er valgt, kan de indstillede funktioner og parametre ikke ændres. Tryk og hold på strømtasten for at slukke vaskemaskinen, og genstart den derefter for at nulstille parameteren.



4 Temperatur

Ændring af temperatur for det valgte program.

Alle programmer har en forudindstillet temperatur, der kan ændres ved at trykke på positionen TEMPERATUR. (-- angiver vask i koldt vand).

Temperaturen vises på kontrolpanelet over knappen.

5 Centrifugering

Brug dette til at justere centrifugeringshastigheden. Når den forudindstillede eller valgte centrifugeringshastighed aktiveres, vises den valgte centrifugeringshastighed på kontrolpanelet.

6 Damp

Tryk for at tilføje funktionen "Damp". Tryk to gange for at annullere funktionen og bladre i rækkefølge. Programmer med ikonet for damp "☁" kan bruge dampfunktionen. Programmerne Allergy Steam og Babytøj har som standard en dampfunktion, der ikke kan deaktiveres.

7 Muligheder

Tryk på knappen "Muligheder" for at vælge yderligere funktioner til det aktuelle program. Vælg kun én funktion pr. tryk. Det relevante ikon blinker. Programmet kan ikke ændres, når vaskemaskinen er startet.

Forvask

Vælg funktionen til at udføre forvask for at forbedre vaskeresultatet og for bedre at fjerne pletter. Programmet er egnet til stærkt tilsmudset tøj.

Tilføj vaskemiddel i rummet til forvask i sæbeskuffen, når du vælger programmet Forvask.

Ekstra skyl

Når du indstiller funktionen til ekstra skyl, kører programmet skylleprocessen igen, før der tilsættes blødgøringsmiddel. Den samlede programtid forøges tilsvarende.

Intensiv

Funktionen kan bruges til at forøge tiden til den intensive vask og forbedre vaskeresultatet.



8

8

Forsinket afslutning

Brug funktionen til at planlægge tøjvasken til et belejligt tidspunkt.

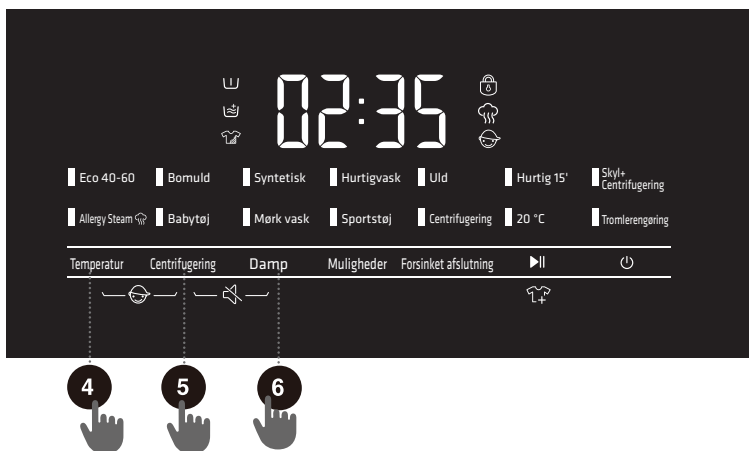
Tryk på tasten for at indstille tidspunktet for Forsinket afslutning. Tasten kan kun bruges i standbytilstand. Når du har valgt funktionen Forsinket afslutning, forøges tiden med 1 time for hvert tryk på tasten Forsinket afslutning. Det maksimale indstillelige tidsinterval er 24 timer.

Tiden for Forsinket afslutning er afslutningstidspunktet, dvs. det omfatter vasketiden, så tiden for Forsinket afslutning skal være længere end vasketiden. Starttidspunktet for programmet fastsættes af vaskemaskinens interne logik baseret på dine indstillinger. Tryk for at vælge en forudindstillet timeenhed.

Når reservationsprocessen er i gang, lyser ikonet for 'reservationstid'.

Når reservationsprocessen afsluttes, slukker ikonet for 'reservationstid'.

Hvis funktionen Forsinket afslutning valgtes før starten af et program, kan den annulleres ved at trykke på en anden funktionstast. Når programmet er startet, skal du trykke og holde på strømknappen for at slukke og genstarte vaskemaskinen for at annullere funktionen Forsinket afslutning.




4 + 5 Børnelås

Dette er en sikkerhedsfunktion. Tryk samtidig på knapperne "Temperatur+Centrifugering" i 2 sekunder. Ikonet for børnelås lyser, og børnelåsen er derefter aktiveret. Gentag den samme handling for at deaktivere børnelåsen. Når børnelåsen er aktiveret, kan ingen funktionsknapper bruges med undtagelse af strømknappen. Børnelåsen deaktiveres automatisk, når programmet er slut.

5 + 6 Slå lyd fra/til

Bruges til at slå akustiske lydssignaler fra eller tænde de akustiske signaler igen. Tryk på knapperne "Centrifugering+Damp" i 2 sekunder, når vaskemaskinen er i tilstanden for hold, sat på pause eller drift. Kontrolpanelet viser ikonet "bEEP oFF". Alle lyde slås fra med undtagelse af alarmer. Når vaskemaskinen er i lydløs tilstand, skal du gentage samme handling, indtil kontrolpanelet viser ikonet "bEEP on". Alle lyde aktiveres.

Lågelås

Ikonet for lågelås "  " lyser, når programmet starter. Lågelåsen er aktiveret. Åbn ikke lågen med magt på dette tidspunkt for at undgå personskade. Når vaskemaskinen er sat på pause, eller programmet er afsluttet, deaktiveres lågelåsen automatisk, hvis betingelserne for oplåsning er opfyldt. Ikonet for lågelås slukker.

TABEL OVER FUNKTIONER

PROGRAM	SÆBESKUFFE			TEMPERATUR	CENTRIFUGERING	DAMP	FORVASK	EKSTRA SKYL	INTENSIV	FORSINKET AFSLUTNING	BØRNELÅS	SLÅ LYD FRA/TIL
	FORVASK	HOVEDVASK	BLØDGØRINGSMIDDEL									
Eco 40-60	-	✓	•	-	•	-	-	-	-	•	•	•
Bomuld	✓	✓	•	•	•	•	•	•	•	•	•	•
Syntetisk	✓	✓	•	•	•	•	•	•	•	•	•	•
Hurtigvask	✓	✓	•	•	•	-	•	•	•	•	•	•
Uld	-	✓	•	•	•	-	-	•	-	•	•	•
Hurtig 15'	-	✓	•	•	•	-	-	•	-	•	•	•
Skyll+ Centrifugering	-	-	•	-	•	-	-	•	-	•	•	•
Allergy Steam	✓	✓	•	-	•	○	•	•	•	•	•	•
Babytøj	✓	✓	•	•	•	○	•	•	•	•	•	•
Mørk vask	✓	✓	•	•	•	-	•	•	•	•	•	•
Sportstøj	✓	✓	•	•	•	-	•	•	•	•	•	•
Centrifugering	-	-	-	-	•	-	-	-	-	•	•	•
20 °C	✓	✓	•	-	•	-	•	•	•	•	•	•
Tromlerengøring	-	-	-	-	-	-	-	-	-	•	•	•

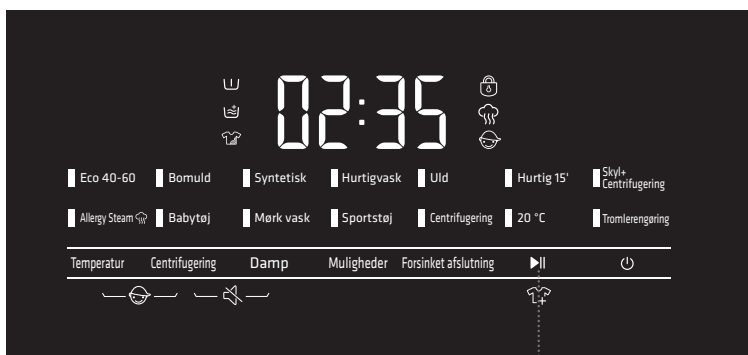
- Valgfrie funktioner
- Kan ikke vælges
- ✓ Vaskemiddel påkrævet
- Funktion kan ikke annulleres

OPTIMERING AF TID UNDER PROGRAMAFVIKLING

I begyndelsen af programafviklingen registrerer vaskemaskinen mængden af vasketøj ved hjælp af avanceret teknologi. Efter registreringen justerer vaskemaskinen varigheden af programmet.

TRIN 5: START AF VASKEPROGRAM

Tryk på knappen **START/SÆT PÅ PAUSE**, når du har valgt program og ekstra funktioner samt tilføjet vaskemiddel i sæbeskuffen.



Når du har trykket på knappen **START/PAUSE**, kan børnelåsen aktiveres eller deaktiveres, og lydsignal kan indstilles. Andre indstillinger kan dog ikke ændres.

Når programmet starter, vises "----" på kontrolpanelet, hvilket angiver, at vasketøjet vejes. Programvarigheden (timer: minutter) justeres automatisk i henhold til vasketøjets vægt.

Efter starten af programmet lyser ikonet Lågelås "🔒" på kontrolpanelet. Ikonet slukker, når programmet er udført.

Hvis du trykker på knappen **START/SÆT PÅ PAUSE** under afviklingen af programmet, og alle betingelser for åbning af lågen er opfyldt, forsvinder "🔒" også.

Hvis "🔒" blinker, angiver det, at lågen ikke kan åbnes. I dette tilfælde må du ikke forsøge at åbne lågen med magt.

⚠ Hvis et element på kontrolpanelet blinker, er lågen til vaskemaskinen åben eller ikke korrekt lukket. Luk lågen til vaskemaskinen, og tryk igen på knappen **START/SÆT PÅ PAUSE** for at fortsætte vaskeprogrammet.

TRIN 6: AFSLUTNING AF VASKEPROGRAM

Der lyder et lydssignal, når vaskeprogrammet er færdigt, og kontrolpanelet viser teksten "End". Vaskemaskinen slukker automatisk, hvis du ikke udfører en handling inden for 2 minutter.



1. Åbn lågen til vaskemaskinen.
2. Tag vasketøjet ud af tromlen.
3. Luk lågen!
4. Luk hanen til vandforsyningen.
5. Træk ledningen ud af stikkontakten.

ÅBNING AF SKÆRM FOR SERVICETILSTAND

1. Tryk på "Temperatur" + "Damp" + "⏻" i slukket tilstand for at åbne skærmen for servicetilstand.
2. Den viser antal programforløb.
3. Tryk på "Damp" for at skifte mellem forløb eller fejlkoder.
4. Når du vil vise fejlkoder, skal du trykke på "Temperatur" for at få vist forrige side og "Centrifugering" for at få vist næste side.
5. Tryk på knappen "⏻" i 3 sekunder for at afslutte servicetilstanden.

AFBRYDELSE OG ÆNDRING AF PROGRAM

ÆNDRING AF VASKEPROGRAM

Tryk på knappen "STRØM" i 2 sekunder for at stoppe og annullere et vaskeprogram. Vælg et nyt program ved at dreje knappen og vælge ekstra funktioner. Tryk på knappen START/SÆT PÅ PAUSE uden igen at tilføje vaskemiddel.

MANUEL AFBRYDELSE

Tryk på knappen "STRØM" i 2 sekunder for at stoppe og annullere et vaskeprogram.

PAUSEKNAP

Vaskeprogrammet kan altid stoppes ved at trykke på knappen START/SÆT PÅ PAUSE. Vaskeprogrammet er midlertidigt sat på pause, når resttiden blinker på kontrolpanelet. Hvis der ikke er vand i tromlen, og vandtemperaturen ikke er for høj, låses lågen op og kan åbnes. Luk først lågen, og tryk derefter på knappen START/SÆT PÅ PAUSE for at fortsætte vaskeprogrammet.

TILFØJELSE/FJERNELSE AF VASKETØJ UNDER AFVIKLING AF ET VASKEPROGRAM

Kontrolpanelet blinker, når programmet er sat på pause. Hvis betingelserne er opfyldt, udløses lågelåsen automatisk, og du kan åbne lågen for at tilføje eller fjerne vasketøj. Lågen kan ikke åbnes, hvis betingelserne for åbning af lågen ikke er opfyldt.

Tryk på knappen START/SÆT PÅ PAUSE efter tilføjelsen af vasketøjet under et program for at fortsætte vaskeprogrammet.

⚠ Hvis du lægger en større mængde vasketøj i vaskemaskinen under vasken, bliver vaskeresultatet for tøjet muligvis mindre effektivt, fordi vaskemaskinen ved starten registrerede en lavere vægt af vasketøj og tilføjede en mindre vandmængde. En utilstrækkelig vandmængde i forhold til mængden af vasketøj kan også medføre skader på vasketøjet (tørt vasketøj, der gnider mod hinanden), og vasketiden kan være længere.

⚠ Vasketiden fortsætter fra punktet, hvor vaskeprogrammet blev afbrudt.

⚠ Når et program midlertidigt stoppes under centrifugering og derefter genstartes, starter den oprindelige centrifugeringstilstand igen.

FEJL

Programmet afbrydes i tilfælde af fejl eller fejltilstande.

Blinkende kontrollamper og lydssignaler advarer om fejl eller fejltilstande (se TABEL OVER FEJLFINDING), og fejlen vises på kontrolpanelet (F:XX).

FEJL I STRØMFORSYNING

Vaskeprogrammet afbrydes i tilfælde af en fejl i strømforsyningen (strømafbrydelse). Når strømforsyningen er genetableret, fortsætter programmet fra det sted, hvor det blev afbrudt.

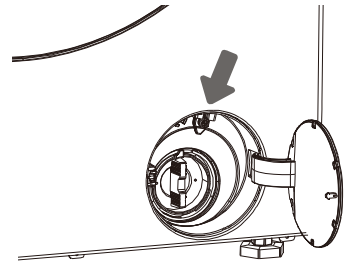
NØDÅBNING AF LÅGE

⚠ Hvis der fortsat befinder sig vand i vaskemaskinen efter en strømafbrydelse, må du ikke åbne lågen, før du manuelt har tømt vaskemaskinen for vand via pumpefilteret.

Hvis det ikke er muligt at åbne lågen på grund af en strømafbrydelse eller andre særlige omstændigheder kan låsehåndtaget ved lågen til afløbspumpen bruges til nødåbning.

Bemærk:

1. Må ikke bruges, når vaskemaskinen fungerer normalt.
2. Før du bruger håndtaget, skal du kontrollere, at den indvendige tromle ikke drejer rundt, at temperaturen ikke er høj, og at vandniveauet er lavere end åbningen til vasketøj. Hvis vandniveauet er højere end åbningen til vasketøj, skal du lukke vand ud gennem et eventuelt afløbsrør eller ved langsomt at skrue filteret af.
3. Fremgangsmåde: Åbn lågen til afløbspumpen, og træk låsehåndtaget ned med et værktøj, hvorefter lågen kan åbnes (vist i figuren).



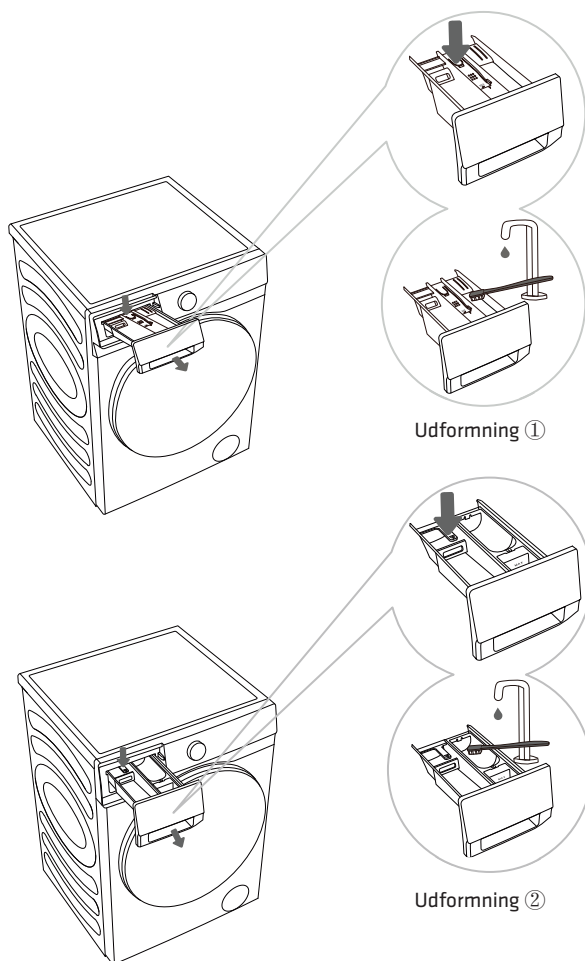
VEDLIGEHOELSE OG RENGØRING

 Træk stikket til vaskemaskinen ud af stikkontakten før rengøringen.

 Børn må ikke rengøre vaskemaskinen eller udføre vedligeholdelsesopgaver uden behørigt opsyn!

RENGØRING AF SÆBESKUFFEN

 Rengør sæbeskuffen regelmæssigt.

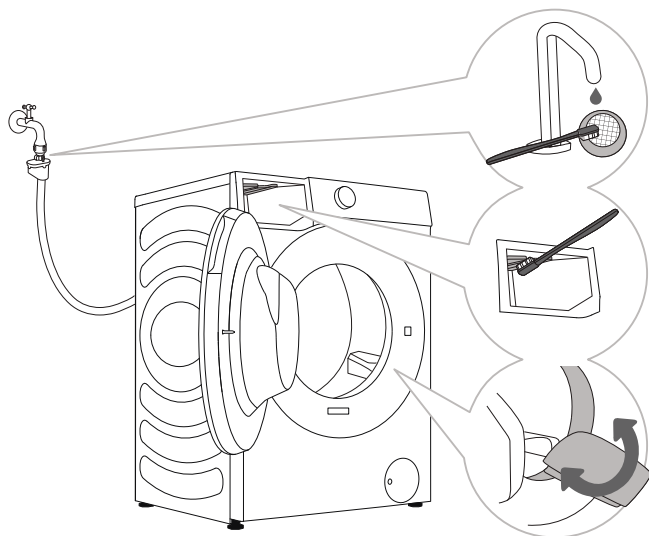


1 Tryk på den lille tap for at fjerne sæbeskuffen.

2 Rengør sæbeskuffen med en børste under rindende vand, og tør den af. Fjern også eventuelle rester af vaskemiddel. Fjern rummet til blødgøringsmiddel fra sæbeskuffen. Vask alle dele under rindende vand, og sæt rummet til blødgøringsmiddel tilbage i sæbeskuffen. Sæt derefter sæbeskuffen tilbage i vaskemaskinen.

 Vask ikke sæbeskuffen i en opvaskemaskine.

RENGØRING AF SLANGEN TIL VANDFORSYNING, KABINETTET TIL SÆBESKUFFEN OG GUMMIPAKNINGEN PÅ LÅGEN

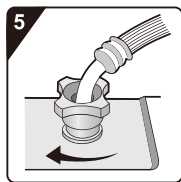
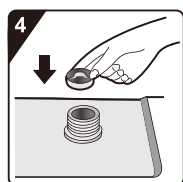
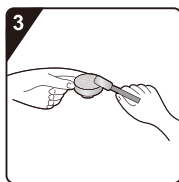
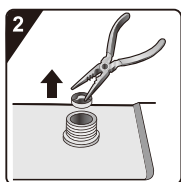
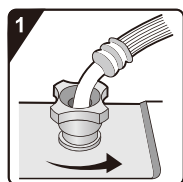


1 Rengør ofte trådfilteret under rindende vand.

2 Rengør hele sektionen med sæbeskuffen, især dyserne øverst, med en børste.

3 Aftør gummipakningen på lågen efter hver vask for at forlænge dens levetid.

REGELMÆSSIG RENGØRING AF FILTERET TIL VANDINDLØB



1 Luk hanen, og skru slangen til vandindløbet på bagsiden af vaskemaskinen af.

2 Træk trådfilteret af tilslutningen til vaskemaskinen med en universaltang.

3 Rengør det indvendige trådfilter.

4 Sæt trådfilteret på igen.

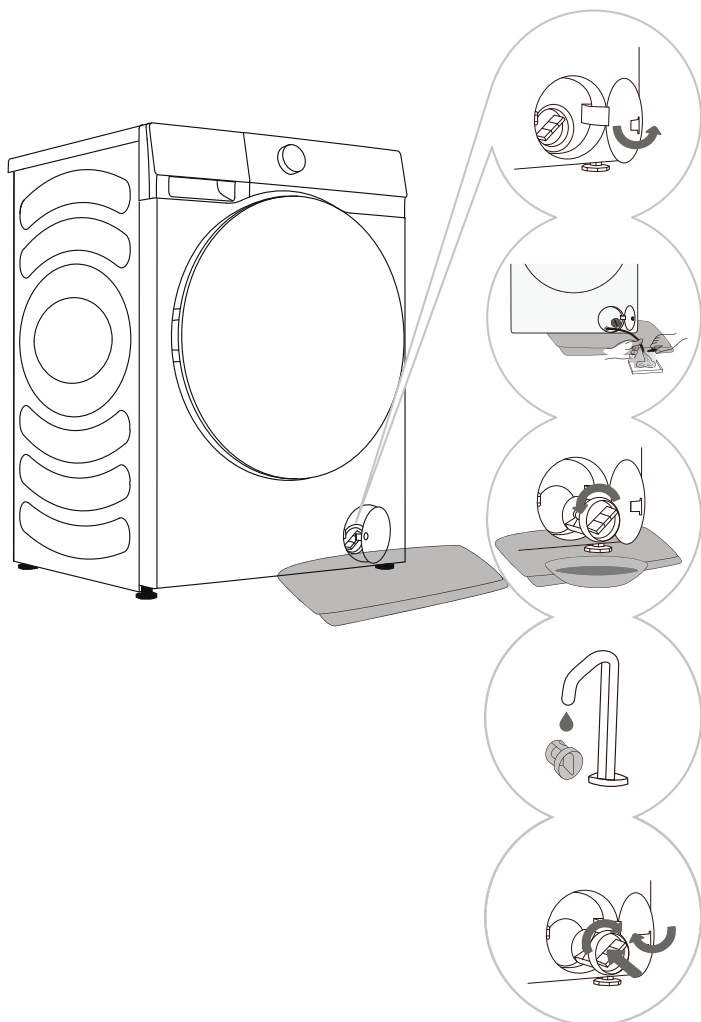
5 Skru slangen til vandindløbet på igen. Åbn hanen, og kontrollér, at tilslutningerne er helt tætte.

☼ Filteret til vandindløb opsamler kalk og eventuelle aflejringer i vandet, der bruges til vaskemaskinen. Rengør filteret ca. en gang hvert halve år eller oftere, hvis vandet er meget hårdt eller indeholder kalk.

RENGØRING AF PUMPEFILTER

☼ Der kan løbe vand ud under rengøringen. Det anbefales derfor at lægge en vandabsorberende klud på gulvet.

Kontrollér, at vandet er kølet af, før du tapper det af vaskemaskinen.



☼ Pumpefilteret skal rengøres rettidigt, især efter vask af fleece-agtigt tøj, tøj af uld eller meget gammelt tøj.

☼ Rengør ligeledes pumpefilteret, hvis vaskemaskinen ikke kan starte centrifugeringsprogrammet, eller når der er snavs i pumpen (knapper, mønter, hårnåle, clips osv.).

1 Åbn dækslet til pumpefilteret.

Metode 1: Tryk på lågedækslet. Dækslet springer automatisk op. Metode 2: Åbn dækslet til pumpefilteret med et egnet værktøj. Metoden afhænger af modellen.

2 Læg et håndklæde under filterlågen.

Hvis vaskemaskinen har et rør til nødtømning, skal du trække røret ud af vaskemaskinen. Sæt enden af røret til nødtømning i en beholder.

Hvis vaskemaskinen ikke har et rør til nødtømning, skal du stille en beholder under pumpefilteret. Metoden afhænger af modellen.

Drej proppen til røret til nødtømning, og fjern den, når den er løs, og vandet løber ud naturligt. Sæt proppen tilbage i røret til nødtømning.

3 Drej langsomt pumpefilteret modsat uret. Træk pumpefilteret ud.

4 Rengør pumpefilteret under rindende vand.

5 Sæt pumpefilteret tilbage som vist i figuren, og fastgør det ved at dreje det med uret. Overfladen på filterpakningen skal være ren for at opnå en god forsegling.

UDVENDIG RENGØRING AF VASKEMASKINE

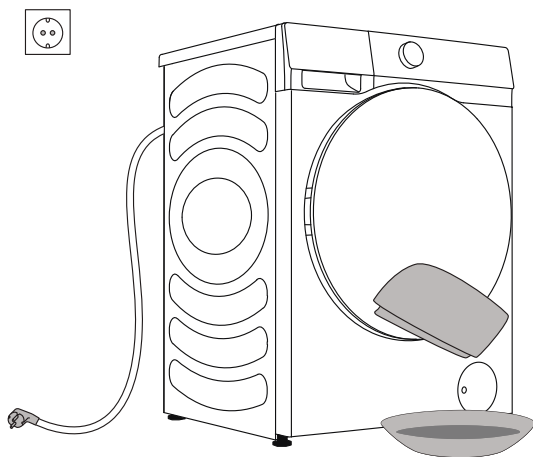
⚠ Træk altid stikket til vaskemaskinen ud af stikkontakten før rengøring.

Rengør vaskemaskinen udvendigt og kontrolpanelet med en blød, fugtig bomuldsklud og vand. Aftør derefter vaskemaskinen med en blød, tør klud.

⚠ Brug ikke opløsningsmidler, slibende rengøringsmidler eller rengøringsmidler, der kan beskadige vaskemaskinen. (Følg anbefalingerne og advarselserne fra producenten af rengøringsmidlet).

Tør om nødvendigt lågen til vaskemaskinen af med en fugtig klud, og aftør den derefter også med en tør, blød klud.

☀ Rengør ikke vaskemaskinen med vandstråler!



FEJLFINDING

HVAD GØR JEG ...?

Vaskemaskinen kontrollerer automatisk bestemte funktioner under vaskeprogrammet. Hvis der registreres uregelmæssigheder, vises det med teksten (F:XX) på kontrolpanelet. Vaskemaskinen bliver ved med at vise fejlen, indtil den slukkes. Forstyrrelser i omgivelserne (såsom elnettet) kan medføre forskellige fejlmeddelelser (se TABEL OVER FEJLFINDING). Gør sådan i disse tilfælde:

- Sluk vaskemaskinen, og vent nogle få sekunder.
- Tænd vaskemaskinen, og gentag vaskeprogrammet.
- De fleste fejl under brugen kan løses af brugeren (se TABEL OVER FEJLFINDING).
- Hvis fejlen vedvarer, skal du ringe til et autoriseret servicefirma.
- Reparationer må kun udføres af en tilstrækkeligt uddannet person.
- Reparation eller reklamation under garantien, der vedrører ukorrekt tilslutning eller brug af vaskemaskinen, dækkes ikke af garantien. I disse tilfælde afholdes reparationsudgifterne af brugeren.

⚠ Garantien dækker ikke fejl eller fejltilstande forårsaget af forstyrrelser i omgivelserne (lynedslag, fejl på elnettet, naturkatastrofer osv.).

TABEL OVER FEJLFINDING OG FEJL

Problem/fejl	Visning på kontrolpanel og problembeskrivelse	Hvad gør jeg?
F01	Fejl i vandindtag	Kontrollér følgende: <ul style="list-style-type: none"> • Er hanen til vandforsyningen åben, og er trykket for lavt? • Er slangen til vandforsyningen i klemme? • Er filteret på slangen til vandforsyningen tilstoppet? • Er slangen frosset? Tryk igen på knappen "START/SÆT PÅ PAUSE" efter udelukkelse af årsager.
F03	Afløbsfejl	Kontrollér følgende: <ul style="list-style-type: none"> • Er slangen i klemme, og løber vandet gennem slangen? • Er filteret på slangen til afløbet tilstoppet? • Er slangen frosset? Tryk igen på knappen "START/SÆT PÅ PAUSE" efter udelukkelse af årsager.
F04/F05/F06/F07/F23	Fejl i elektronisk modul	Sluk vaskemaskinen. Tryk på knappen "STRØM" i 2 sekunder. Tryk igen på knappen "START/SÆT PÅ PAUSE". Hvis fejlen sker igen, skal du tilkalde en servicetekniker.
F24	Vandniveau har nået overløbsniveau	Stop programmet ved at trykke på knappen "START/SÆT PÅ PAUSE". Genstart programmet. Hvis vaskemaskinen bliver ved med at pumpe vand ind i tromlen, skal du tilkalde en servicetekniker.
F13	Fejl ved låsning af låge	Lågen er lukket, men den kan ikke låses. Sluk vaskemaskinen. Tænd vaskemaskinen igen, og genstart vaskeprogrammet. Hvis fejlen sker igen, skal du tilkalde en servicetekniker.
F14	Fejl ved låsning af låge	Lågen er lukket, men den kan ikke låses op. Sluk vaskemaskinen, og tænd den derefter igen. Hvis fejlen sker igen, skal du tilkalde en servicetekniker.
Unb	Alarm om ubalance	Alarmen om ubalance løses efter følgende metoder <ol style="list-style-type: none"> 1. Rystning af vasketøj Tryk på "STRØM" i 2 sekunder for at slukke vaskemaskinen. Åbn lågen, ryst vasketøjet, og læg det tilbage i vaskemaskinen. Vælg derefter programmet med en enkelt centrifugering, og prøv igen. 2. Vægt af vasketøj for lille Tryk på "STRØM" i 2 sekunder for at slukke vaskemaskinen. Åbn lågen, læg et eller to håndklæder i tromlen, og vælg derefter programmet med en enkelt centrifugering, og prøv igen.

ANBEFALINGER OM VASK OG ØKONOMISK BRUG AF DIN VASKEMASKINE

Vask nyt farvet tøj separat den første gang.

Vask kraftigt tilsmudset tøj i mindre mængder, brug mere vaskemiddel, eller brug et program med forvask.

Brug en speciel pletfjerner til vanskelige pletter før vasken. Vi anbefaler, at du læser afsnittet TIPS OM FJERNELSE AF PLETTER.

Hvis du ofte vasker tøj ved lave temperaturer og med flydende vaskemidler, kan der dannes bakterier, der kan få vaskemaskinen til at lugte. Vi anbefaler lejlighedsvis brug af programmet Tromlerengøring for at undgå dette.

Vi anbefaler, at du undgår vask af meget små mængder vasketøj, da dette medfører større energiforbrug og dårligere vaskekvalitet.

Ryst eventuelt foldet tøj, før det lægges i tromlen.

Brug kun vaskemidler til maskinvask.

Tilføj vaskepulver eller flydende vaskemiddel som anvist af producenten i henhold til vasketemperatur og valg af vaskeprogram.

Brug et særlig målebæger (følger med vaskemidlet), når du bruger stærkt koncentrerede vaskemidler, og tilføj dem direkte i vaskemaskinetromlen.

Midler til blødgøring af vand skal bruges, når vandhårdheden overskrider 14° dH. Skader på varmeelementet, der skyldes ukorrekt anvendelse af midler til blødgøring af vand, dækkes ikke af garantien. Kontrollér oplysningerne om vandhårdhed hos dit lokale vandværk eller kommune.

Brug af klorinbaserede blegemidler anbefales ikke, da de kan beskadige varmeelementet.

Hvis du bruger et afkalkningsmiddel, blegemiddel eller farve, skal du kun bruge typer, der er egnede til brug i vaskemaskiner.

Brug ikke opløsningsmidler eller lignende kemikalier (såsom fortyndingsmiddel til maling, terpentin, benzin osv.)!

Læg ikke hårde klumper af vaskemiddel i sæbeskuffen, da det kan tilstoppe rørsystemet i vaskemaskinen.

Når du bruger tyktflydende vaskeprodukter, anbefaler vi, at du fortynder dem med vand for at undgå at tilstoppe afløbet i sæbeskuffen.

Flydende vaskemidler er beregnet til vaskeprogrammer uden forvask.

TIPS TIL FJERNELSE AF PLETTER

Prøv naturmetoderne, der ikke skader miljøet, på mindre vanskelige pletter, før du bruger specielle pletfjernermidler.

Der skal dog handles hurtigt! Gennemblød pletten med en sugende svamp eller et stykke køkkenrulle. Skyl derefter med koldt (lunkent) vand – men aldrig med varmt vand!

Pletter	Fjernelse af pletter
Mudder	Skrab først mudderet af tøjet, når pletten er tør, før du vasker tøjet i vaskemaskinen. Hvis pletten er vanskelig at fjerne, kan du gennembløde den med en enzymbaseret pletfjerner før vasken. Hvis pletten er nem at fjerne, kan du vaske tøjet med flydende vaskemiddel eller vaskepulver og vand før vasken.
Deodorant	Smør flydende vaskemiddel på tøjet, før det vaskes i vaskemaskinen. Brug pletfjerner til vanskelige pletter. Brug alternativt iltbaseret blegemiddel til vasken.
TE	Gennemblød eller skyl tøjet med koldt vand, og påfør om nødvendigt pletfjerner.
Chokolade	Gennemblød eller skyl tøjet med lunkent sæbevand. Påfør derefter citronsaft, og skyl.
Blæk	Påfør pletfjerner på pletten, før tøjet vaskes i vaskemaskinen. Du kan også bruge denatureret alkohol. Vend vrangen ud på tøjet, og læg et stykke køkkenrulle under pletten. Smør alkoholen på bagsiden af pletten. Skyl tøjet grundigt ved afslutningen af processen.
Markere	Opløs lidt stivelse i vand, og smør opløsningen på pletten. Skrab det af med en børste, når det er tørt, og vask derefter tøjet i vaskemaskinen.
Babymad (urin, mudder, madpletter)	Læg pletterne i blød i lunkent vand i mindst en halv time før vask i vaskemaskinen. Pletterne er nemmere at fjerne, hvis du tilføjer en enzymbaseret pletfjerner.
Græs	Gennemblød tøjet med en enzymbaseret pletfjerner før vask i vaskemaskinen. Græspletter kan også fjernes ved at lægge pletterne i blød (i ca. 1 time) i fortyndet citronsaft eller destilleret eddike.
Æg	Læg tøjet i blød i en enzymbaseret pletfjerner. Læg i blød i koldt vand i mindst 30 minutter eller et par timer, hvis pletterne er vanskelige. Vask derefter tøjet i vaskemaskinen.
Kaffe	Læg tøjet i blød i saltvand. Hvis pletten er gammel, skal du gennembløde den med en blanding af glycerin, ammoniak og alkohol.
Skosvæarte	Smør madolie på pletten, og skyl.

Pletter	Fjernelse af pletter
Blod	Nye pletter – Skyl tøjet med koldt vand, og vask det i vaskemaskinen. Tørre pletter – Læg tøjet i blød i en enzymbaseret pletfjerner. Vask derefter tøjet i vaskemaskinen. Hvis pletten ikke forsvinder, kan du prøve at fjerne den med et blegemiddel, der er egnet til dit tøj.
Lim og tyggegummi	Læg tøjet i en pose, og læg det i fryseren, indtil pletten er hård. Fjern derefter pletten med en sløv kniv. Opløs derefter pletten med en pletfjerner til forvask, og skyl grundigt. Vask derefter tøjet som sædvanligt.
Makeup	Brug en pletfjerner til forvask. Vask derefter tøjet i vaskemaskinen.
Smør	Smør pletrensere på pletten før vasken i vaskemaskinen. Skyl derefter med varmt vand (så varmt som tøjet kan holde til).
Mælk	Læg tøjet i blød i en enzymbaseret pletfjerner. Læg i blød i mindst 30 minutter eller et par timer, hvis pletterne er vanskelige. Vask derefter tøjet i vaskemaskinen.
Frugtsaft	Smør en saltvandsblanding på pletten. Lad blandingen virke et stykke tid. Skyl derefter. Du kan smøre natriumbikarbonat, destilleret eddike eller citronsaft på pletten, før du vasker tøjet i vaskemaskinen. Brug glycerin til gamle pletter. Skyl med koldt vand efter 20 minutter, og vask derefter tøjet i vaskemaskinen.
Vin	Læg tøjet i blød i koldt vand i mindst 30 minutter. Brug også pletfjerner. Vask derefter tøjet i vaskemaskinen.
Voks	Læg tøjet i fryseren, indtil voksen stivner. Skrab derefter voksen af. Fjern resterne af voks ved at lægge et stykke køkkenrulle over pletten, og derefter opvarme den med et strygejern, indtil køkkenrullen har opsuget voksen.
Sved	Gnid flydende vaskemiddel ind i pletten, før tøjet vaskes i vaskemaskinen.

TABEL OVER TYPISK FORBRUG

Anvisninger om program

1. Programmet Eco 40-60 kan rengøre normalt tilsmudset vasketøj af bomuld, der er godkendt til vask ved en temperatur på ca. 40-60 °C, i samme program. Programmet bruges til at vurdere overensstemmelse med EU's krav om Ecodesign.
2. Energiforbruget i slukket tilstand er 0,49 W.
3. De mest effektive programmer med hensyn til energiforbrug er generelt de programmer, der vasker ved lave temperaturer og med lang vasketid.
4. Hvis en vaskemaskine til husholdningsbrug fyldes op til den af producenten angivne mængde for de respektive programmer, øges besparelserne på energi og vand.
5. Korrekt anvendelse af vaskemiddel, blødgøringsmiddel og andre tilsætningsstoffer. Brug ikke for meget vaskemiddel. Det kan påvirke vaskeresultatet negativt.
6. Periodisk rengøring, herunder optimal hyppighed, og undgåelse af kalk samt fremgangsmåde.
7. Støj og restindhold af fugtighed påvirkes af centrifugeringshastigheden: Jo højere centrifugeringshastighed i centrifugeringsprogrammet, jo højere støj og lavere restindhold af fugtighed.
8. Produktoplysningerne og QR-koden er gengivet i tabellen over energiforbruget. Oplysninger om produktregistrering kan fås ved at scanne QR-koden.
9. Oplysninger om standardprogrammer.

Program	Valgt temperatur (°C)	Nominal tøjmængde (kg)	Maksimums-temperatur i tromle (°C)	Programvarighed (t:min)	Energiforbrug (kWh/pr. vask)	Vandforbrug (l/pr. vask)	Restindhold af fugtighed (%)	Højeste hastighed (o/min.)
Eco 40-60, fuld vask	-	10,0	31	3:59	0,680	62,0	53,00	1.400
Eco 40-60, halvfuld vask	-	5,0	26	3:00	0,410	47,0	53,00	1.400
Eco 40-60, 1/4 vask	-	2,5	24	2:20	0,230	34,0	55,00	1.400
20 °C	20	10,0	20	1:50	0,250	100,0	56,00	1.400
Bomuld	60	10,0	58	3:29	2,280	130,0	56,00	1.400
Syntetisk	40	5,0	40	2:23	1,000	82,0	38,00	1.400
Hurtig 15'	20	1,0	20	0:15	0,060	33,0	65,00	800

De angivne programværdier bortset fra programmet Eco 40-60 er kun vejledende.

☼ Maksimal eller nominal mængde vasketøj gælder for vasketøj, der er klargjort i henhold til standarden IEC 60456.

⚠ På grund af afvigelser vedrørende type og mængde af vasketøj, centrifugering, udsving i strømforsyningen og omgivende temperatur og luftfugtighed kan værdierne for programvarighed og energiforbrug målt hos slutbrugeren variere fra værdierne i tabellen.

Vi forbeholder os ret til at ændre og rette fejl i brugervejledningen.

Power International AS,
PO Box 523, N-1471 Lørenskog, Norway

Power Norge:
<https://www.power.no/kundeservice/>
T: 21 00 40 00

Power Danmark:
<https://www.power.dk/kundeservice/>
T: 70 33 80 80

Punkt 1 Danmark:
<https://www.punkt1.dk/kundeservice/>
T: 70 70 17 07

Power Finland:
<https://www.power.fi/tuki/asiakaspalvelu/>
T: 0305 0305

Power Sverige:
<https://www.power.se/kundsservice/>
T: 08 517 66 000

SÄKERHETSINFORMATION

1. Tillverkaren förbehåller sig rätten till eventuella ändringar av produkten som kan anses nödvändiga eller användbara utan att informera om detta i denna bruksanvisning.
2. Innan du använder din nya tvättmaskin ska du läsa igenom den här bruksanvisningen noggrant och spara den för framtida bruk. Om du har tappat bort den av misstag kan du be kundtjänst om en digital- eller papperskopia.
3. Se till att uttaget är ordentligt jordat och att vattenkällans anslutning är tillförlitlig.
4. Denna maskin ska inte användas av personer (inklusive mindreåriga) med nedsatt fysisk, sensorisk eller mental förmåga eller som saknar erfarenhet och kunskap, såvida de inte får tillsyn eller instruktioner gällande maskinens användning av en person med ansvar för deras säkerhet.
5. Denna maskin får användas av barn från 8 år och uppåt och personer med nedsatt fysisk, sensorisk eller mental förmåga eller av personer som saknar erfarenhet och kunskap om det sker under uppsyn eller om de får anvisningar om hur man använder maskinen på ett säkert sätt och är medveten om riskerna. Barn får inte leka med maskinen. Rengöring och underhåll bör inte utföras av barn utan tillsyn.
6. Barn bör hållas under uppsikt så att de inte leker med maskinen.
7. Om strömsladden är skadad måste den bytas ut av tillverkaren, dess servicerepresentant eller av motsvarande kvalificerad person för att undvika fara.
8. Använd de nya slangsatserna som medföljer maskinen, de gamla ska inte återanvändas.

9. För maskiner med ventilationsöppningar undertill får en matta inte hindra öppningarna.
10. Barn under 3 år ska inte vistas i närheten utan kontinuerlig uppsikt.
11. Högsta tillåtna inloppstryck är 1 MPa för maskiner som är avsedda att anslutas till vattenledningsnätet. Det lägsta tillåtna inloppstrycket är 0,1 MPa som är nödvändigt för att maskinen ska fungera korrekt.
12. Den maximala tvättkapaciteten är 10 kg.
13. Endast för privat bruk i hemmet.
14. Den här apparaten är avsedd för användning i hushåll och liknande användningsområden, exempelvis:
 - Personalkök i butiker, på kontor och andra arbetsplatser;
 - Bondgårdar;
 - Kunder på hotell, motell och andra typer av boendemiljöer;
 - Miljöer för uthyrning av rum inklusive frukost;
 - Platser för gemensamt bruk i flerbostadshus eller tvättstugor.

INNAN DU ANVÄNDER TVÄTTMASKINEN

1. Ta bort förpackningen och inspektera

- Kontrollera att tvättmaskinen är oskadad efter uppackning. Om du är osäker, använd inte tvättmaskinen. Kontakta kundtjänst eller din lokala återförsäljare.
- Kontrollera att alla tillbehör och medföljande delar finns på plats.
- Förvara förpackningsmaterialet (plastpåsar, polystyrendelar etc.) utom räckhåll för barn eftersom det är potentiellt farligt.

2. Ta bort transportbultarna

- Tvättmaskinen är försedd med transportbultar för att undvika eventuella skador på inredningen under transport. Innan du använder maskinen måste du ta bort transportbultarna.
- När du har tagit bort dem ska du täcka öppningarna med de fyra medföljande plastkåporna.

3. Installera tvättmaskinen

- Placera maskinen på en fast och jämn golvyta, helst i ett hörn av rummet.
- Se till att alla fyra fötterna är stabila och vilar på golvet och kontrollera sedan att tvättmaskinen är helt plan (använd vattenpass).
- Se till att ventilationsöppningarna i tvättmaskinens nederdel (om det finns på din modell) inte blockeras av en matta eller annat material.

4. Vatteninlopp

- Anslut inloppsslangen till vattenförsörjningen i enlighet med den lokala vattenleverantörens föreskrifter.
- Vattenintag - beroende på modell:
 - Enkelt inlopp - endast kallt vatten
 - Dubbla inlopp - varmt och kallt vatten
- Vattenkran: 3/4 gängad slangkoppling

5. Dränering

- Anslut dräneringsslangen till häverten eller haka den över kanten på en diskbänk med hjälp av det medföljande vattenlåset.
- Om tvättmaskinen är ansluten till ett integrerat avloppssystem ska du se till att det är försett med en ventil för att undvika att vatten fylls och töms samtidigt (hävertteffekt).
- Fäst dräneringsslangen ordentligt för att förhindra skällning under maskinens dränering.

6. Elektrisk anslutning

- Elektriska anslutningar måste utföras av en kvalificerad tekniker i enlighet med tillverkarens anvisningar och gällande säkerhetsföreskrifter.
- Uppgifter om spänning, energiförbrukning och skydds krav finns på luckans framsida.
- Maskinen måste anslutas till elnätet via ett uttag med jordanslutning i enlighet med gällande bestämmelser. Tvättmaskinen måste enligt lag vara jordad. Tillverkaren avstår från allt ansvar för skador på egendom eller skador på personer eller djur på grund av att anvisningarna ovan inte följs.
- Använd inte förlängningskablar eller flera uttag. Se till att uttaget är tillräckligt kraftfullt för att driva maskinen under uppvärmningen.
- Innan du utför underhåll på tvättmaskinen måste du koppla bort den från elnätet.
- Efter installation måste åtkomsten till nätkontakten eller till att koppla bort den från elnätet alltid säkerställas med hjälp av en dubbelpolig strömbrytare.
- Använd inte tvättmaskinen om den har skadats under transport. Informera kundtjänst.
- Byte av nätkabel får endast utföras av kundtjänst eller legitimerad servicetekniker.
- Maskinen får endast användas i hushållet för de föreskrivna användningsområdena.

FÖRSIKTIGHETSÅTGÄRDER OCH ALLMÄNNA REKOMMENDATIONER

1. Förpackning

- Förpackningsmaterialet är helt återvinningsbart och märkt med återvinningsymbolen ♻️. Följ gällande lokala bestämmelser när du gör dig av med förpackningsmaterialet.

2. Bortskaffande av förpackningar och gamla tvättmaskiner

- Tvättmaskinen är tillverkad av återanvändbara material. Den måste kasseras i enlighet med gällande lokala bestämmelser för avfallshantering.
- Innan du kasserar maskinen ska du ta bort alla tvättmedelsrester, bryta av luckkroken och klippa av strömkabeln så att tvättmaskinen blir obrukbar.



- Den här maskinen är märkt i enlighet med det europeiska direktivet om avfall av elektrisk och elektronisk utrustning (WEEE). Genom att garantera att produkten kasseras rätt, bidrar du till att förhindra negativa konsekvenser för miljön och människors hälsa, som annars kan orsakas genom felaktig avfallshantering av produkten.

Symbolen på produkten eller på dokument som medföljer produkten anger att den inte får hanteras som hushållsavfall. Istället måste den lämnas på en återvinningsstation för återvinning av elektrisk och elektronisk utrustning. Kassering ska göras i enlighet med lokala miljöföreskrifter för avfallshantering. För mer detaljerad information om behandling, återvinning och återanvändning av denna produkt, kontakta ditt lokala stadskontor, din avfallshanteringstjänst eller den butik där du köpte produkten.

3. Plats och omgivning

- Förvara inte brännbara vätskor i närheten av maskinen.

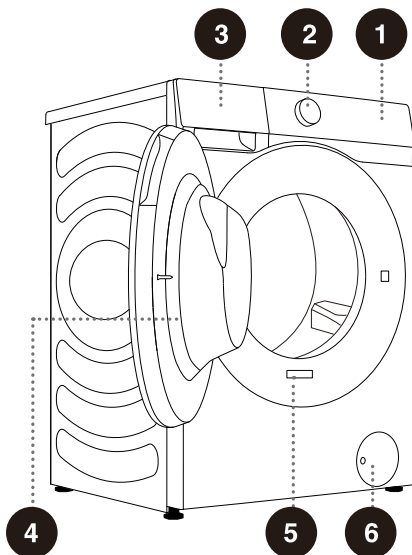
4. Säkerhet

- Låt inte maskinen vara ansluten när den inte används. Koppla aldrig in eller ur strömmen från elnätet om du har våta händer.
- Stäng av kranen.
- Före all rengöring och allt underhåll ska du stänga av maskinen eller koppla bort den från elnätet.
- Rengör tvättmaskinens utsida med en fuktig trasa. Använd inte slipande rengöringsmedel.
- Öppna aldrig luckan med våld och använd den aldrig som trappsteg.

BESKRIVNING AV TVÄTTMASKINEN

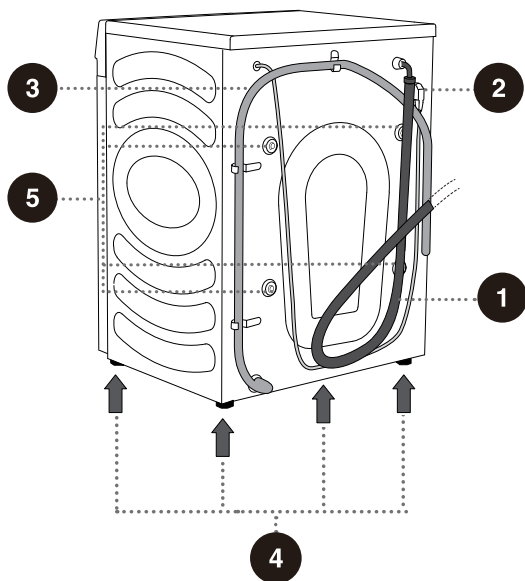
FRAMSIDA

- 1 Styrenhet
- 2 Vred för programval
- 3 Tvättmedelsfack
- 4 Lucka
- 5 Typskylt
- 6 Lock till pumpfilter



BAKSIDA

- 1 Vattentilloppsslang
- 2 Nätkabel
- 3 Vattenutloppsslang
- 4 Justerbara fötter
- 5 Transportskruvar



⚠ Illustrationerna i den här manualen är endast avsedda som referens. Eftersom våra produkter ständigt förbättras kan utseende, färg och funktion hos den faktiska produkten skilja sig från illustrationerna.

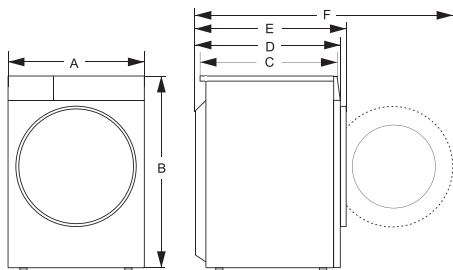
TEKNISKA SPECIFIKATIONER

(BEROENDE PÅ MODELL)

Typskylten med grundläggande information om tvättmaskinen är placerad under luckan på tvättmaskinens framsida (se kapitlet "BESKRIVNING AV TVÄTTMASKINEN").

Maximal kapacitet	10 kg
Vattentryck	0,1-1 MPa
Märkspänning	220-240 V~
Märkeffekt	1 750 W
Frekvens	50 Hz
IP-klassning	IPX4

Mått (mm)



Index	Mått (mm)
A	595
B	845
C	560
D	590
E	620
F	1100

INSTALLATION OCH INKOPPLING

☞ Ta bort allt emballage. Var noga med att inte skada maskinen med något vasst föremål när emballaget tas bort. Håll emballaget (plastpåsar, andra plastdelar etc.) utom räckhåll för barn.

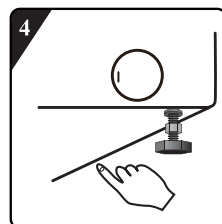
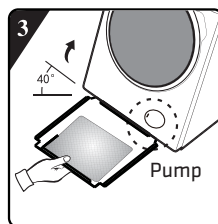
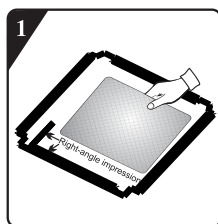
Kontrollera om maskinen har några skador. Om du misstänker att maskinen är skadad ska du inte använda den och omedelbart kontakta kundtjänst.

Maskinen levereras med en tillbehörssats som innehåller:

- bruksanvisning
- 4 plastpluggar
- tilloppsslang
- hållare för utloppsslang
- skruvnyckel
- ljuddämpningsplatta

Kontrollera att allt ovanstående finns med.

SÅ HÄR MONTERAS LJUDDÄMPNINGSPLATTAN



1 Innan ljuddämpningsplattan monteras ska du rikta in och klistra fast den akustiska absorptionsullen med och längs det rätvinkliga avtrycket på ljuddämpningsplattan (detta behövs inte för vissa modeller som saknar ljudabsorptionsull).

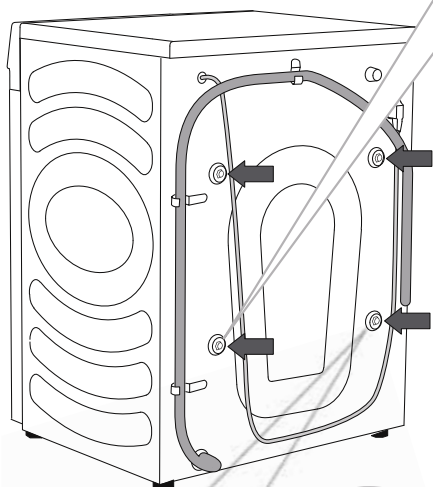
2 Ta bort ytpappret på den dubbelhäftande tejen på bottenplattans fyra sidor.

3 Luta maskinen i 40 graders vinkel och vänd sidan med den rätvinkliga skåran mot maskinens framsida, som visas på bilden. För in sidan med den sneda vinkeln mellan de två fotskruvarna på maskinens baksida så att den sitter helt på plats. Montera sedan ljuddämpningsplattan och se till att den ligger an mot maskinens undersida.

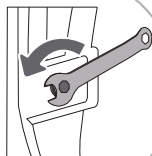
4 Tryck fast den dubbelhäftande tejen på fyra sidor manuellt så ljuddämpningsplattan sitter säkert på maskinen.

TA BORT TRANSPORTSKRUVARNA

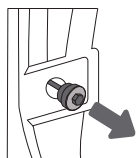
⚠ Innan maskinen används för första gången måste transportskruvarna tas bort. Om dessa sitter kvar när maskinen slås på för första gången kan maskinen skadas. Garantin gäller inte om detta händer.



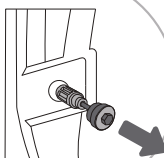
Här finns en nätkabelklämma som också bör tas bort.



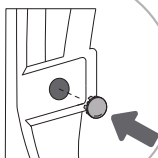
1 Flytta undan slangarna och lossa de fyra skruvarna på maskinens baksida med en mutterdragare genom att vrida dem moturs som pilen visar. Lossa dem ca 30 mm.



2 Dra alla fyra transportskruvarna horisontellt.



3 Dra ut transportskruvarna tillsammans med gummit och plastdelen.



4 Täck de fyra skruvhålen där transportskruvarna satt med plastpluggarna. Plastpluggarna finns i påsen med tvättmaskinens bruksanvisning (tillbehörssatsen).

⚠ Spara transportskruvarna för framtida bruk, om maskinen behöver flyttas igen senare (följ anvisningarna ovan i omvänd ordning för att sätta tillbaka transportskruvarna).

FLYTT OCH TRANSPORT EFTER INSTALLATIONEN

☞ Om du vill flytta tvättmaskinen efter att den har installerats måste transportskruvarna sättas dit igen för att förhindra vibrationsskador på maskinen under transporten (se kapitlet "INSTALLATION OCH INKOPPLING/Ta bort transportskruvarna"). Om du har tappat bort transportskruvarna kan de beställas från tillverkaren.

Packa ihop allt emballage (plastpåsar, andra plastdelar etc.).

⚠ Efter transport ska tvättmaskinen stå stilla i minst två timmar innan den ansluts till elnätet, så att den hinner uppnå rumstemperatur. Maskinen ska installeras och anslutas av en utbildad tekniker.

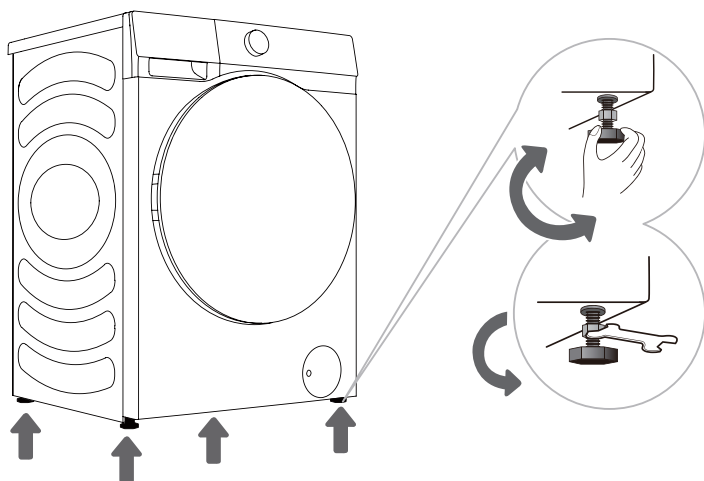
⚠ Läs bruksanvisningen noggrant innan tvättmaskinen ansluts. Garantin täcker inte reparation eller garantianspråk som beror på felaktig anslutning eller användning av tvättmaskinen.

VÄLJA RUM

- ☼ Tvättmaskinen måste stå plant och stabilt på ett stadigt underlag. Golvet som tvättmaskinen/ torktumlaren placeras på måste ha ett betongfundament. Det ska vara rent och torrt, annars kan tvättmaskinen glida. Rengör även de justerbara fötternas undersida.

JUSTERING AV TVÄTTMASKINENS FÖTTER

Använd ett vattenpass och den medföljande skruvnyckeln.



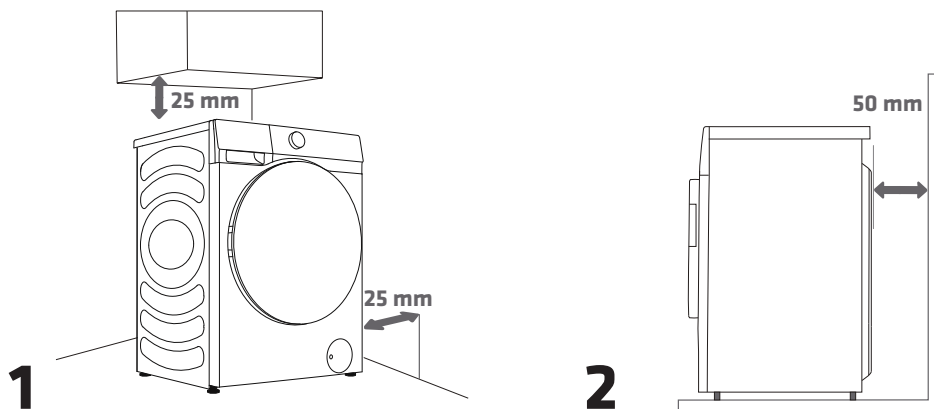
1 Vrid de justerbara fötterna så att tvättmaskinen nivelleras i båda riktningarna. Fötterna gör det möjligt att nivellera med +/- 2 cm.

2 När fötterna har justerats i höjddled ska du dra åt stoppmuttrarna (kontramuttrarna) ordentligt med hjälp av den medföljande skruvnyckeln, genom att vrida dem i riktning mot tvättmaskinens undersida (se bild).

- ☼ Om tvättmaskinen inte nivelleras korrekt med de justerbara fötterna kan det leda till vibrationer, till att maskinen glider genom rummet och till att den låter mycket. Felaktig nivellering av tvättmaskinen omfattas inte av garantin.

- ☼ Ibland kan ovanliga eller högre ljud förekomma när maskinen används. Detta beror oftast på felaktig installation.

Installationsavstånd för tvättmaskinen

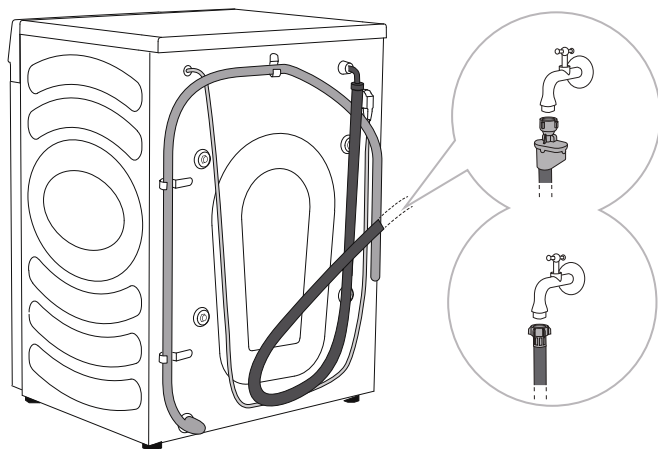


⚠ Tvättmaskinen får inte vara i kontakt med någon vägg eller möbel i närheten. För att tvättmaskinen ska fungera optimalt rekommenderar vi att hålla de avstånd från väggarna som anges på bilden. Om de minsta avstånd som krävs inte följs kan inte en säker och korrekt användning av tvättmaskinen garanteras. Det kan även leda till överhettning (bild 1 och 2).

⚠ Det rekommenderas inte att installera tvättmaskinen under en bänkskiva.

ANSLUTNING TILL VATTENTILLFÖRSEL

Koppla slangen till vattenkranen genom att skruva fast den på den gängade delen.



A AQUA STOP

B VANLIG ANSLUTNING

☼ När tvättmaskinen används på normalt sätt bör trycket i vattenledningen vara mellan 0,1 och 1 MPa (1–10 bar; 1–10 kp/cm²; 10–100 N/cm²). Det lägsta dynamiska vattentrycket kan fastställas genom att mäta vattenflödet. På 15 sekunder ska 3 liter vatten flöda från en helt öppen kran.

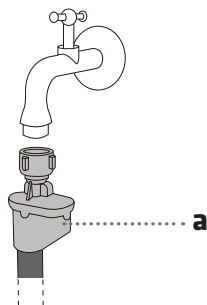
☼ Dra åt vattentilloppsslangen för hand, tillräckligt hårt för att slangen ska hålla tätt (max. 2 Nm). När slangen har anslutits måste det kontrolleras att tätningen inte läcker. Använd inte tång eller liknande verktyg vid anslutning av slangen eftersom detta kan skada skruvgången.

☼ Använd endast den vattentilloppsslang som medföljer maskinen. Använd inte begagnade eller andra slangar.

☼ Kontrollera att slangen inte är skadad. Om slangen är sliten, spröd eller sprucken måste den bytas ut.

AQUA STOP (ENDAST VISSA MODELLER)

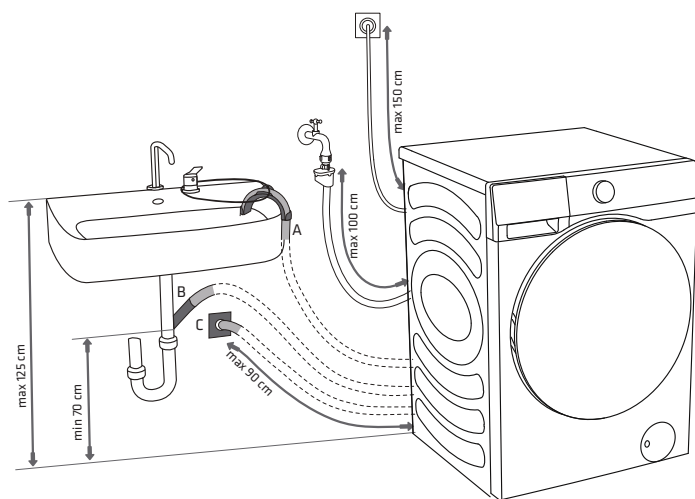
Om ett invändigt rör eller en invändig slang skadas aktiveras ett avstängningssystem som stänger av vattentillförseln till tvättmaskinen. Om detta händer blir kontrollglasets (a) rött. Byt ut vattentilloppsslangen.



- ☼ Doppa inte vattentilloppsslangen med Aqua stop-systemet i vatten eftersom den är försedd med en elektrisk ventil.
- ☼ Vattentilloppsslangen kan anslutas utan backventil.
- ☼ När vattentilloppsslangen ansluts ska det säkerställas den ansluts på ett sätt som möjliggör tillräcklig och obehindrad vattentillförsel.

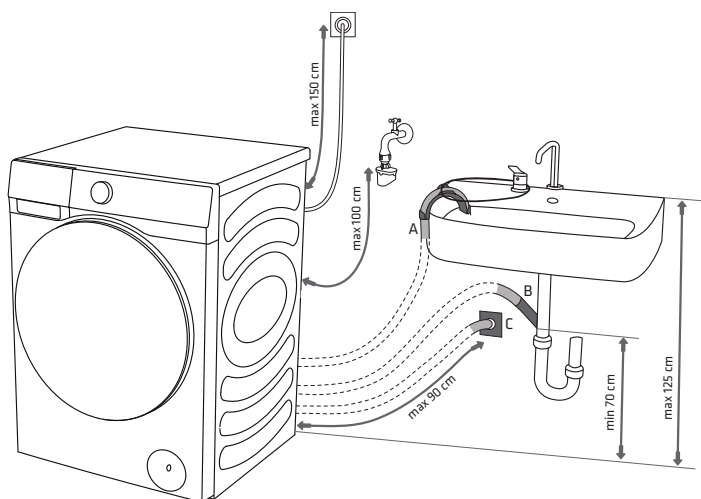
ANSLUTNING OCH SÄKRING AV VATTENUTLOPPSSLANGEN

Dra vattenutloppsslangen till ett tvättställ eller badkar eller anslut den direkt till ett avlopp (slangens diameter måste vara minst 4 cm). Det vertikala avståndet från golvet till utloppsslangens ände får inte vara mer än 100 cm och inte mindre än 60 cm. Den kan fästas på tre olika sätt (A, B, C).

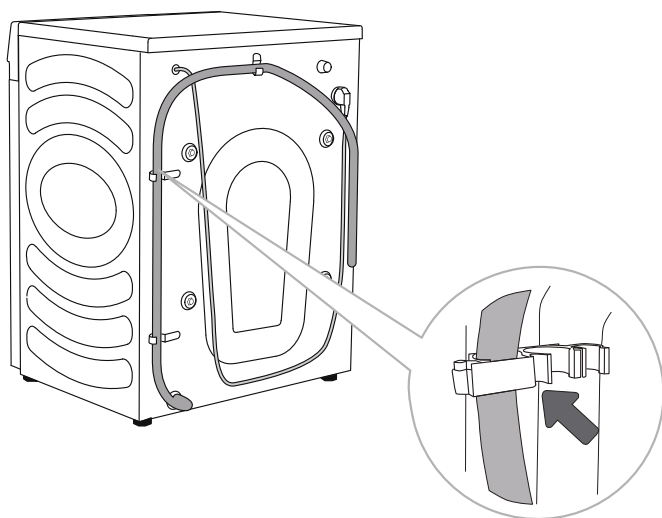


A Utloppsslangens ände kan placeras över ett handfat eller ett badkar. Använd ett snöre som dras genom öppningen i vinkelstödet för att fästa slangens och förhindra att den glider ner på golvet.

B Utloppsslangen kan även anslutas direkt till tvättställets avlopp. Detta kan dock inte göras om handfattet är för litet. Var försiktig – vattnet som tappas ur kan vara varmt.



C Utloppsslangen kan även anslutas till ett väggavlopp med vattenlås. Vattenlåset ska vara ordentligt monterat för att möjliggöra rengöring.

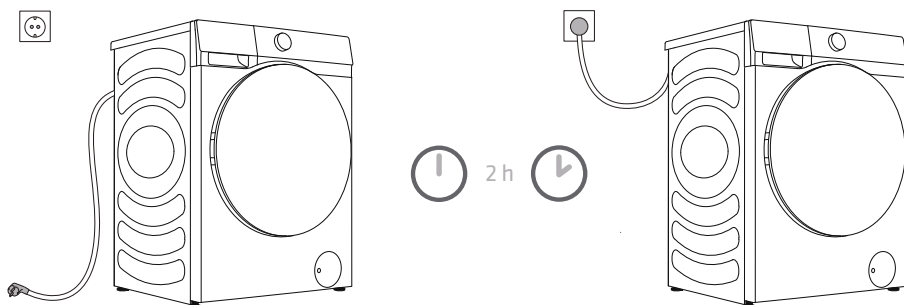


D Utloppsslangen måste anslutas och fästas på tvättmaskinens baksida, som bilden visar.

☞ Kontrollera att utloppsslangen inte är skadad.

☞ Om utloppsslangen inte ansluts på rätt sätt kan inte en säker och korrekt användning av tvättmaskinen garanteras.

ANSLUTNING AV MASKINEN TILL ELNÄTET



⚠ Innan tvättmaskinen ansluts till elnätet bör du vänta i minst 2 timmar tills den har uppnått rumstemperatur.

Anslut tvättmaskinen till ett jordat eluttag. Efter installationen ska vägguttaget vara enkelt att komma åt. Utloppet ska vara försett med en jordad kontakt (i enlighet med gällande bestämmelser).

Information om tvättmaskinen finns på typskylten.

⚠ Vi rekommenderar att överspänningsskydd används för att skydda maskinen i händelse av blixtnedslag.

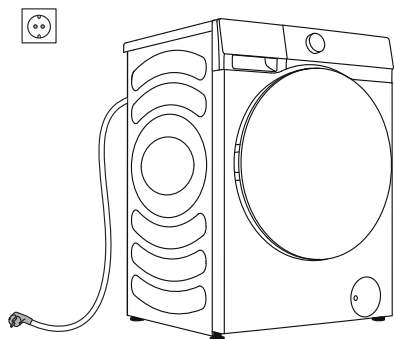
⚠ Tvättmaskinen får inte anslutas till elnätet via en förlängningssladd.

- ⚡ Anslut inte tvättmaskinen till ett eluttag som är avsett för en elektrisk rakapparat eller hårtork.
- ⚡ Koppla inte in eller ur maskinen med våta händer.
- ⚡ Reparationer och underhåll som rör säkerhet eller prestanda ska utföras av behörig fackpersonal.
- ⚡ En skadad nätkabel får endast bytas ut av en person som är auktoriserad av tillverkaren.

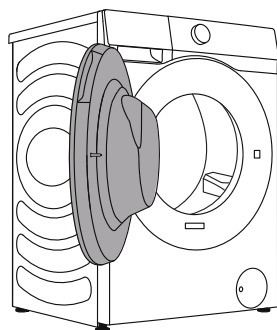
INNAN MASKINEN ANVÄNDS FÖR FÖRSTA GÅNGEN

Säkerställ att tvättmaskinen är fränkopplad från elnätet och öppna sedan luckan mot dig (bild 1 och 2).

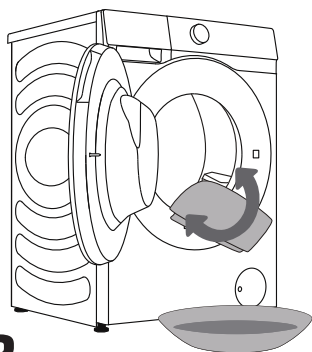
Innan maskinen används för första gången ska du rengöra trumman med en mjuk och fuktig bomullstrasa eller använda programmet Trumrengöring. Anslut i så fall maskinen till elnätet och öppna vattenkranen. Det ska inte finnas någon tvätt i trumman, utan den ska vara tom (bild 3 och 4).



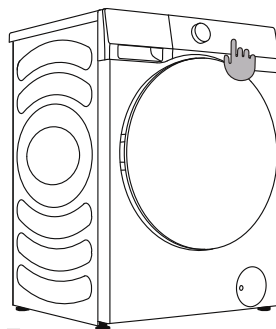
1



2



3





















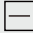







4

⚠ Använd inga lösningsmedel eller rengöringsmedel som kan skada tvättmaskinen (följ de rekommendationer och varningar som tillhandahålls av rengöringsmedlets tillverkare).

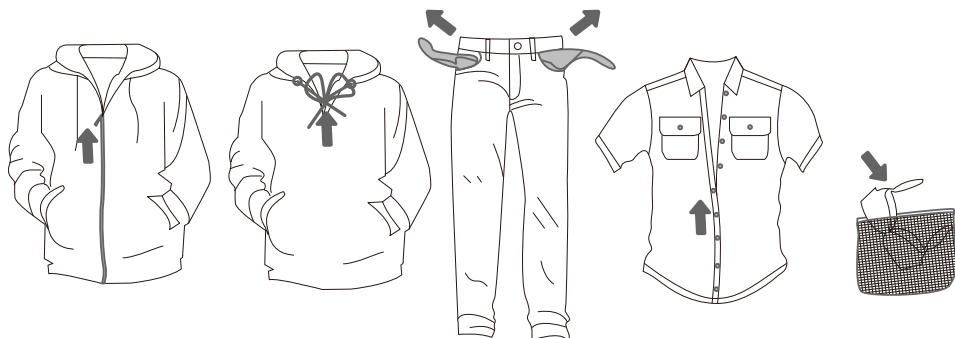
TVÄTTPROCESSEN, STEG FÖR STEG (1-6)

STEG 1: KONTROLLERA TVÄTTETIKETTERNA

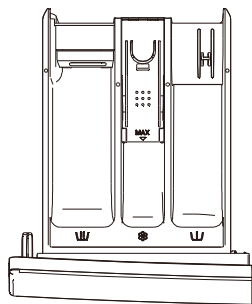
Normal tvätt, känslig tvätt	Max. tvättemp. 95 °C  	Max. tvättemp. 60 °C  	Max. tvättemp. 40 °C  	Max. tvättemp. 30 °C  	Endast handtvätt 	Ej vattentvätt 
Blekning	Blekning i kallt vatten 			Tål ej blekmedel 		
Kemtvätt	Tål alla vätskor vid kemtvätt 	Petroleumlösningsmedel R11, R113 	Kemtvätt i fotogen, ren alkohol och R113 	Tål ej kemtvätt 		
Strykning	Hett strykjärn, max. 200 °C 	Varmt strykjärn, max. 150 °C 	Varmt strykjärn, max. 110 °C 	Får ej strykas 		
Torkning	Plantorkas (placera på ett plant underlag) 	Dropptorkning 	Hög temperatur 	Tål ej torktumling 		
		Hängtorkning 	Låg temperatur 			

STEG 2: FÖRBEREDA TVÄTTPROCESSEN

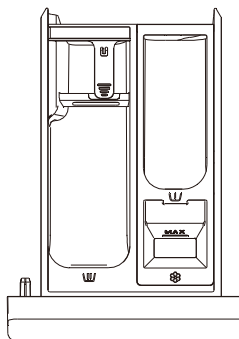
1. Sortera tvätten efter typ av tyg, färg, nedsmutsning, maskinens kapacitet och tillåten tvättemperatur (se PROGRAMTABELLEN).
2. Knäpp knappar och stäng blixtlås, knyt eventuella band och vänd fickorna ut och in. Ta bort eventuella metallspännen som kan skada tvätten och tvättmaskinens insida eller täppa till avloppet.
3. Lägg mycket känsliga kläder och små föremål i en särskild tvättpåse.



► Fylla på tvättmedel/sköljmedel



Metod ①



Metod ②

Symboler för tvättmedelsfacken

	förtvätt
	huvudtvätt
	sköljmedel

(Tvättmedelsfackets utformning beror på modellen)

☼ Vi rekommenderar att tvättmedel i pulverform fylls omedelbart före tvättcykeln. Om det fylls på tidigare bör du kontrollera att tvättmedelsfacket i doseringsfacket är helt torrt innan pulvertvättmedlet fyllt på – annars kan pulvertvättmedlet klumpa sig innan tvättprocessen påbörjas.

☼ Häll sköljmedlet i tvättmedelsfacket med symbolen ☼. Följ rekommendationerna på sköljmedlets förpackning.

☼ Fyll inte på sköljmedelsfacket över den angivna maxnivån.

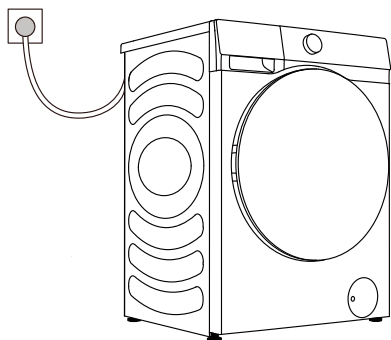
Då tillsätts sköljmedlet för tidigt i tvätten, vilket leder till sämre tvätteffekt.

☼ Förvara tvättmedel och tillsatser oåtkomligt för barn.

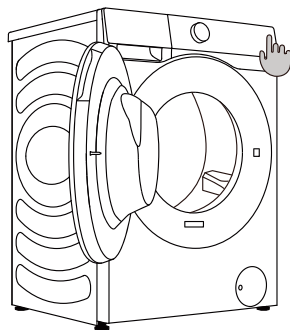
PÅSLAGNING AV TVÄTTMASKINEN

Använd nätsladden för att ansluta tvättmaskinen till elnätet och anslut tvättmaskinen till vattenförsörjningen.

Slå på maskinen genom att trycka på strömknappen (bild 1 och 2).



1



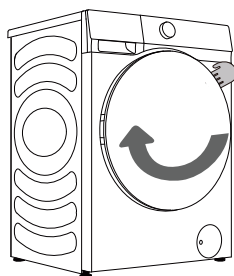
2

LÄGGA I TVÄTTEN I MASKINEN

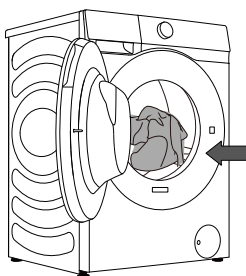
Öppna tvättmaskinens lucka genom att dra handtaget mot dig (bild 1).

Lägg in tvätten i trumman (när du har kontrollerat att trumman är tom) (bild 2).

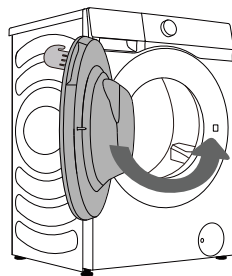
Stäng tvättmaskinens lucka (bild 3). Luckan stängs när ett klick hörs.



1



2



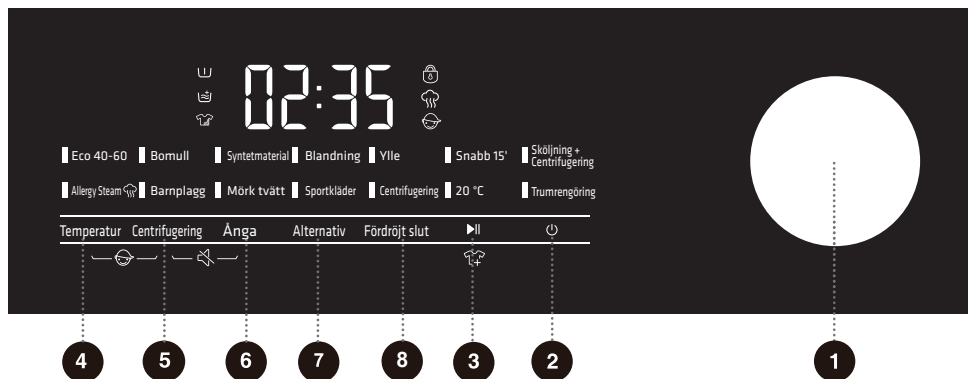
3

⚠️ Försök aldrig att öppna luckan med våld. Öppna heller aldrig luckan när tvättmaskinen är igång.


Stoppa inte in för mycket tvätt i trumman! Se PROGRAMTABELLEN och observera den nominella belastning som anges på typskylten.


Om tvättmaskinens trumma är för full blir tvätten inte lika ren.

STYRENHET



1 PROGRAMVÄLJARE
Vrid ratten för att välja ett program.

2 STRÖM 
Tryck för att slå på/stänga av maskinen.

3 START/PAUS 
Starta/pausa hela programmet som körs.


4 Temperatur
Tryck för att ändra vattentemperaturen.

5 Centrifugering
Tryck för att ändra det aktuella programmets centrifugeringshastighet.

6 ÅNGA 
Tryck för att välja ångfunktion.

7 ALTERNATIV
Tryck på den här knappen för att välja ytterligare funktioner.

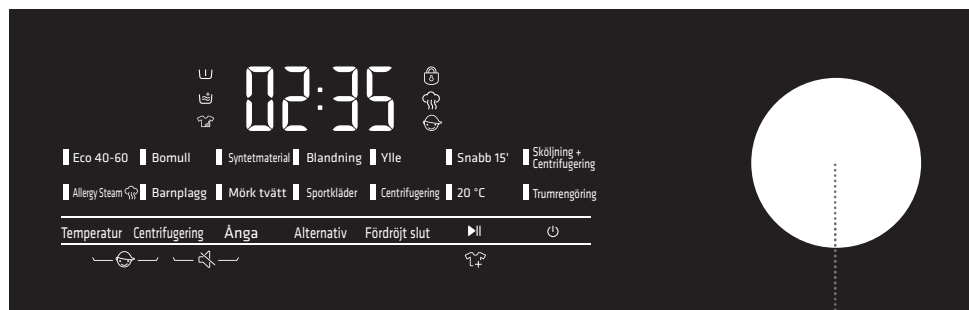
8 FÖRDRÖJT SLUT
Med funktionen Fördröjt slut kan du ställa in sluttiden för den aktuella cykeln.

4+5 BARNLÅS 
Tryck på de två knapparna samtidigt för att aktivera eller inaktivera barnlåsfunktionen.

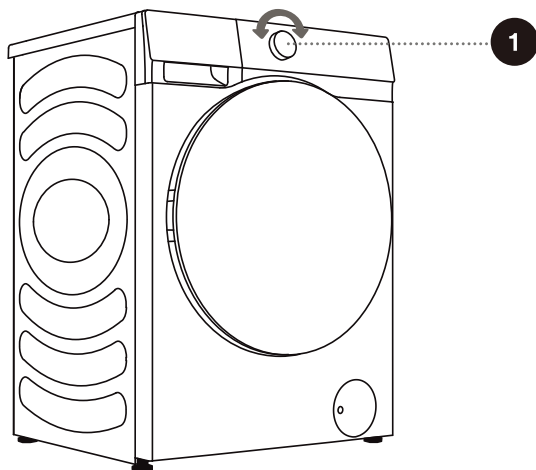
5+6 LJUD AV 
Tryck på de här två knapparna samtidigt för att stänga av eller återaktivera ljudsignalerna.

STEG 3: VÄLJA TVÄTTPROGRAM

Välj program genom att vrida programvredet (1) åt vänster eller höger (beroende på typ av tvätt och hur hårt smutsad den är). **Se programtabellen.**



1



⚠ Under drift roterar inte programvredet automatiskt.

PROGRAMTABELL

Program	Max. kapacitet	Max. centrifugeringshastighet (rpm)	Programbeskrivning
Eco 40-60 -	10 kg	1 400	Normalt smutsad bomullstvätt.
Bomull (--, 20 °C, 30 °C, 40 °C, 60 °C, 90 °C)	10 kg	1 400	Kraftigt och måttligt smutsad bomull eller linne. Välj funktionen "Förtvätt" för mycket hårt smutsad tvätt.
Syntetmaterial (--, 20 °C, 30 °C, 40 °C, 60 °C)	5 kg	1 400	För tyger som är tillverkade av polyester (diolen, trevira), polyamid (perlon, nylon) eller liknande.
Blandning (--, 20 °C, 30 °C, 40 °C, 60 °C)	5 kg	1 400	Blandad tvätt med måttligt smutsade bomulls- och syntetmaterial. Programmets körtid blir 58 min när 0-40 °C väljs, och 78 min när 60 °C väljs.
Ulle (--, 20 °C, 30 °C, 40 °C)	2 kg	600	Programmet är lämpligt för ull som kan maskintvättas.
Snabb 15' (--, 20 °C, 30 °C, 40 °C)	2 kg	800	Programmet är lämpligt för bomulls- och blandmaterial. Det är lämpligt för nya eller lätt smutsade kläder. Tvätttiden förlängs om standardinställningarna ändras.
Sköljning + Centrifugering -	10 kg	1 400	Det här programmet har två sköljningar och centrifugeringar som standard.
Allergy Steam (60 °C)	2 kg	1 400	Det är lämpligt för tyger som tål höga temperaturer och inte bleknar, och avlägsnar allergener som pollen, kvalster och parasiter genom ånga med hög temperatur.
Barnplagg (40 °C, 60 °C, 90 °C)	2 kg	1 400	Det är lämpligt för babykläder, underkläder och liknande som steriliseras och desinficeras med hjälp av ånga med hög temperatur.
Mörk tvätt (--, 20 °C, 30 °C, 40 °C, 60 °C)	5 kg	1 000	Lämpligt för maskintvättbara kläder i mörka färger.

Program	Max. kapacitet	Max. centrifugeringshastighet (rpm)	Programbeskrivning
Sportkläder (-, 20 °C, 30 °C, 40 °C)	4 kg	1 000	Programmet är lämpligt för sport- och fritidskläder tillverkade av mikrofibermaterial.
Centrifugering -	10 kg	1 400	I det här programmet går det att välja varaktighet och centrifugeringshastighet manuellt.
20 °C (20 °C)	10 kg	1 400	Programmet är lämpligt för bomullskläder med mindre fläckar och är energibesparande.
Trumrengöring (90 °C)	/	800	Programmet används för att rengöra trumman och avlägsna eventuella tvättmedelsrester och bakterier som kan ansamlas och växa, särskilt vid användning av program med låga tvätttemperaturer. Trumman måste vara tom. Kör det här programmet minst en gång i månaden.

OBS!

- 1) Vattentemperatur: Välj lämplig vattentemperatur för det tvättprogrammet som valts. Följ alltid klädtillverkarens skötselråd eller anvisningar vid tvätt för att undvika att kläderna skadas.
- 2) Den faktiska vattentemperaturen kan skilja sig från den angivna programtemperaturen.
- 3) Tvättresultatet beror på vattentryck, vattnets hårdhet, vattnets inloppstemperatur, rumstemperatur, typ och mängd av tvättgods, graden av nedsmutsning, tvättmedel, fluktuationer i elnätet och valda alternativ.
- 4) Neutralt (icke lödbrande) tvättmedel rekommenderas.
- 5) Om du lägger till mycket tvätt under pågående program kan det hända att tvätten tvättas mindre effektivt, eftersom tvättmaskinen initialt kände av en lägre vikt på tvätten och därför använde en mindre mängd vatten. Otillräcklig mängd vatten i förhållande till mängden tvätt kan även orsaka skador på tvätten (gnuggning av torr tvätt), och tvättiden kan förlängas.

• Maximal tvättmängd i kg (för bomullsprogrammet) anges på typskylten.

• Maximal eller nominell belastning gäller för tvätt som förberetts i enlighet med standarden IEC 60456.

• För bättre tvättresultat rekommenderar vi att trumman fylls till 2/3 när bomullsprogrammen används.

VÄLJA TVÄTTMEDEL OCH TILLSATSER

Välj alltid högeffektiva tvättmedel som inte löddrar och som är avsedda för frontmatade maskiner.

Valet av tvättmedel beror på typ, grad av nedsmutsning, tvättens färg och tvättemperaturen.

☹ Vita rester (ränder och liknande) på svart tvätt kan förekomma vid användning av moderna fosfatfria tvättmedel. Borsta i så fall bort ränderna och använd ett flytande tvättmedel.

Använd endast tvättmedel som är avsett för tvättmaskiner för hushållsbruk.

Avkalkningsmedel kan skada maskinen. Tvätta inte kläder som har rengjorts med lösningsmedel eller brandfarliga ämnen.

Följ tillverkarens anvisningar för dosering av tvättmedel.

För mycket tvättmedel kan leda till skumbildning som i sin tur försämrar tvättresultatet. Om maskinen känner av att för mycket skum har bildats kan detta förhindra att centrifugeringscykeln körs. Om för lite tvättmedel används kan det hända att tvätten inte längre är vit efter ett tag. Det kan även leda till att det ansamlas kalkavlagringar i trumman och rören.

STEG 4: VÄLJA YTTERLIGARE INSTÄLLNINGAR OCH FUNKTIONER

De flesta av programmen har grundinställningar, men dessa inställningar kan ändras.

Ändra inställningarna genom att trycka på respektive funktionsknapp (innan du trycker på START/PAUS-knappen).

• Aktivera/inaktivera funktionerna genom att trycka på önskad funktion (innan du trycker på START/PAUS-knappen).

• Vissa inställningar kan inte väljas för vissa program. Dessa inställningar tänds inte och när motsvarande knapp trycks in avges en ljudsignal (se FUNKTIONSTABELLEN).

De ytterligare inställningarna och funktionerna kan endast ställas in i standbyläget för det aktuella programmet, dvs. innan programmet startas, och kan inte väljas när programmet är igång.



2 Ström

För att slå på/stänga av tvättmaskinen.

När tvättmaskinen är i standbyläge går det att hålla strömknappen intyckt för att stänga av maskinen.

När maskinen är i standbyläge, eller när tvättprogrammet av avslutats eller är i läget för påminnelse om att försöka köra programmet på nytt, stängs maskinen av automatiskt om inget görs inom 2 minuter.

I avstängt läge är alla displayer och utgångar avstängda, och fjärrstart stöds inte.

3 Start/Paus

För att starta ett program eller avbryta ett pågående program.

Om maskinens lucka inte är stängd eller om lucklåset inte är aktiverat startar inte tvättmaskinen och ett larm visas på skärmen.

När ett program har startats eller när pausläget har aktiverats kan de inställda funktionerna och parametrarna inte ändras. Håll strömknappen intryckt så att maskinen stängs av och starta sedan om den för att återställa parametern.



4 Temperatur

Ändra temperaturen för valt program.

Varje program har en förinställd temperatur som kan ändras genom att trycka på TEMP. (-- betyder tvätt i kallvatten).

Temperaturen visas på displayen ovanför knappen.

5 Centrifugering

Använd denna funktion för att ändra centrifugeringshastigheten. Vid förinställd eller vald centrifugeringshastighet lyser den valda centrifugeringshastigheten på displayen.

6 Ånga

Tryck för att lägga till funktionen "Ånga", tryck två gånger för att avbryta funktionen och upprepa i tur och ordning.

Ångfunktionen kan användas i program som har ångikonen "☁". Programmen Allergy Steam och Barnplagg använder ångfunktionen som standard och den kan inte inaktiveras.

7 Alternativ

Tryck på knappen "Alternativ" i standbyläge för att välja ytterligare funktioner i aktuellt program.

Välj endast en funktion för varje tryck, så blinkar motsvarande ikon. När programmet har startats kan det inte ändras.

Förtvätt

Välj den här funktionen för att utföra förtvätt som förbättrar tvättresultatet och avlägsnar fläckar bättre. Den här funktionen är lämplig för kläder som är mycket smutsiga.

När förtvättfunktionen väljs ska tvättmedel hällas i förtvättsfacket.

Extra sköljning

När funktionen för extra sköljning har ställts in kör programmet sköljprocessen en extra gång innan sköljmedlet hämtas, och programmets totala körtid ökar i enlighet med detta.

Intensiv

Den här funktionen kan användas för att öka tiden för intensivtvätt och förbättra tvättintensiteten.



8

8

Fördröjt slut

Använd den här funktionen för att schemalägga tvätt vid en lämplig tidpunkt.

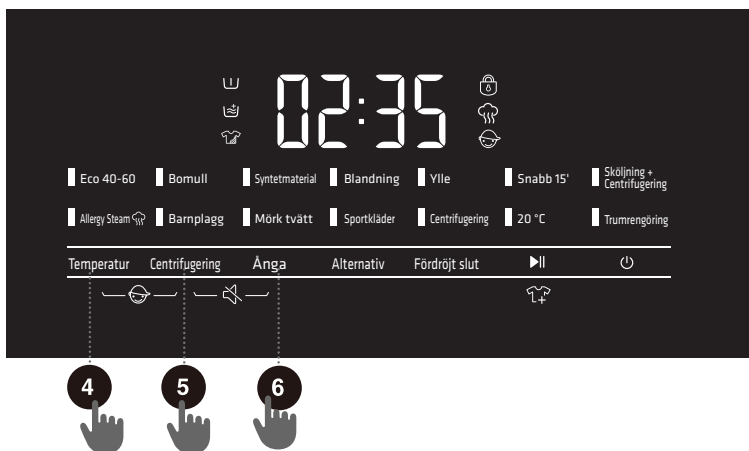
Tryck på den här knappen för att ställa in sluttiden för fördröjningen. Denna knapp kan endast användas i standbyläge. När funktionen Fördröjt slut har valts ökar tiden med en timme varje gång knappen Fördröjt slut trycks in. Det högsta tidsintervallet som kan ställas in är 24 timmar.

Tiden för Fördröjt slut är sluttiden, dvs. den inkluderar tvättiden, så tiden för Fördröjt slut måste vara längre än tvättiden. Baserat på dina inställningar fastställs cykelns starttid av maskinens interna logik. Tryck för att välja en förinställd enhet för timmar.

När bokningsprocessen används visas ikonen för "bokningstid".

När bokningsprocessen avslutas slutar ikonen för "bokningstid" att visas.

Om funktionen Fördröjt slut har valts innan ett program startas kan den avbrytas genom att trycka på valfri funktionsknapp. När programmet har startats måste du hålla strömknappen intryckt för att stänga av och starta om maskinen och avbryta funktionen Fördröjt slut.



4 + 5 Barnlås

Detta är en säkerhetsfunktion. För att aktivera barnlåset trycker du in knapparna "Temperatur" och "Centrifugering" samtidigt i 2 sekunder. Ikonen för barnlåset tänds och barnlåset aktiveras. Gör samma sak för att inaktivera barnlåset. När barnlåset är aktiverat går det inte att använda någon av funktionsknapparna förutom strömknappen. När programmet är klart aktiveras barnlåset automatiskt.


5 + 6 Ljud av

Använd denna funktion för att stänga av eller återaktivera ljudsignalerna.

När maskinen är i standbyläge, pausad eller i drift går det att hålla knapparna "Centrifugering" och "Ånga" intryckta i 2 sekunder, så visas "bEEP OFF" på displayen. Allt ljud stängs av utom larmen.

När maskinen är i ljudlöst läge kan du upprepa samma procedur tills displayen visar "bEEP on". Allt ljud aktiveras.

Lucklås

När programmet har startat tänds ikonen för lucklås "  " och lucklåset aktiveras.

Öppna inte luckan med våld i detta läge för att undvika skador.

När maskinen pausas eller när programmet är avslutat frigörs lucklåset automatiskt om upplåsningsvillkoren är uppfyllda, och ikonen för lucklås slocknar.

FUNKTIONSTABELL

PROGRAM	TVÄTTMEDELSFACK			TEMPERATUR	CENTRIFUGERING	ÅNGA	FÖRTVÄTT	EXTRA SKÖLJNING	INTENSIV	FÖRDRÖJT SLUT	BARNLÅS	LJUD AV
	FÖRTVÄTT ☒	HUVUDTVÄTT ☒	SKÖLJMEDEL ⊗									
Eco 40-60	-	✓	•	-	•	-	-	-	-	•	•	•
Bomull	✓	✓	•	•	•	•	•	•	•	•	•	•
Syntetmaterial	✓	✓	•	•	•	•	•	•	•	•	•	•
Blandning	✓	✓	•	•	•	-	•	•	•	•	•	•
Ylle	-	✓	•	•	•	-	-	•	-	•	•	•
Snabb 15'	-	✓	•	•	•	-	-	•	-	•	•	•
Sköljning + Centrifugering	-	-	•	-	•	-	-	•	-	•	•	•
Allergy Steam	✓	✓	•	-	•	○	•	•	•	•	•	•
Barnplagg	✓	✓	•	•	•	○	•	•	•	•	•	•
Mörk tvätt	✓	✓	•	•	•	-	•	•	•	•	•	•
Sportkläder	✓	✓	•	•	•	-	•	•	•	•	•	•
Centrifugering	-	-	-	-	•	-	-	-	-	•	•	•
20 °C	✓	✓	•	-	•	-	•	•	•	•	•	•
Trumrengöring	-	-	-	-	-	-	-	-	-	•	•	•

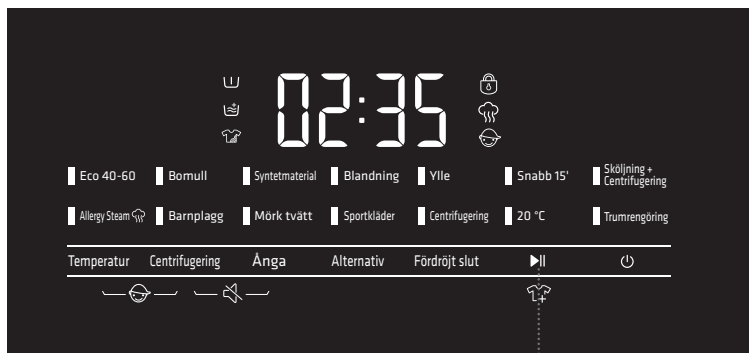
- Valbara funktioner
- Kan inte väljas
- ✓ Tvättmedel krävs
- Funktionen kan inte återkallas

TIDSOPTIMERING UNDER PÅGÅENDE PROGRAM

Tidigt i tvättprogrammet använder tvättmaskinen avancerad teknik för att känna av mängden tvätt. När maskinen har känt av mängden justerar den programmets varaktighet.

STEG 5: START AV TVÄTTPROGRAMMET

När du har valt program och extrafunktioner och fyllt på tvättmedlet i tvättmedelsfacket trycker du på **START/PAUS**-knappen.



När **START/PAUSE**-knappen har tryckts in kan barnlåset aktiveras eller inaktiveras och ljudsignalen ställas in. Övriga inställningar kan dock inte ändras.

När programmet startar visas "----" på displayen, vilket betyder att tvätten håller på att vägas. Programmets varaktighet (timmar och minuter) anpassas automatiskt efter tvättens vikt.

När programmet har startat tänds symbolen för lucklåset "🔒" på displayen. När programmet är klart försvinner symbolen.

Om **START/PAUSE**-knappen trycks in när programmet körs och alla villkor är uppfyllda för att luckan ska kunna öppnas, slutar "🔒" också att visas.

Om "🔒" blinkar betyder det att luckan inte kan öppnas. Försök då inte att öppna luckan med våld.

🔒 Om något blinkar på displayen är tvättmaskinens lucka öppen eller inte ordentligt stängd. Stäng tvättmaskinens lucka och tryck på **START/PAUSE**-knappen igen för att fortsätta tvättprogrammet.

STEG 6: TVÄTTPROGRAMMETS SLUT

En ljudsignal anger att tvättprocessen är avslutad och "End" visas på displayen. Maskinen stängs av automatiskt om inget görs inom 2 minuter.



1. Öppna tvättmaskinens lucka.
2. Ta ut tvätten ur trumman.
3. Stäng luckan!
4. Stäng av kranen för vattentillförsel.
5. Dra ut nätkabeln ur vägguttaget.

ÖPPNA FRÅGELÄGET FÖR EFTERMARKNAD

1. Tryck på "Temperatur" + "Ånga" + "⏻" när maskinen är avstängd, för att gå till frågeläget för eftermarknad.
2. Här visas antalet driftcykler.
3. Tryck på "Ånga" för att växla cykler eller felkoder.
4. Vid sökning av felkoder trycker du på "Temperatur" för att bläddra uppåt och på "Centrifugering" för att bläddra nedåt.
5. Om du håller knappen "⏻" intryckt i 3 sekunder avslutas frågeläget.

AVBROTT OCH ÄNDRING AV PROGRAMMET

BYTE AV TVÄTTPROGRAM

För att stoppa och avbryta ett tvättprogram trycker du på strömknappen i 2 sekunder. För att välja ett nytt program vrider du på vredet och väljer extrafunktioner. Tryck på start/pausknappen utan att fylla på tvättmedel igen.

MANUELLT STOPP

För att stoppa och avbryta ett tvättprogram trycker du på strömknappen i 2 sekunder.

PAUS-KNAPPEN

Tvättprogrammet kan alltid stoppas genom att trycka på START/PAUS-knappen. När tvättprogrammet pausas tillfälligt blinkar den återstående tiden displayen. Om det inte finns något vatten i trumman och vattentemperaturen inte är för hög, låses luckan upp och kan öppnas. För att återuppta tvättprogrammet stänger du först luckan och trycker sedan på START/PAUS-knappen.

LÄGGA TILL/TA BORT TVÄTT NÄR TVÄTTMASKINEN ÄR I DRIFT

När tvättprogrammet är pausat blinkar tiden på displayen. Om villkoren är uppfyllda frigörs lucklåset automatiskt, så att du kan öppna luckan för att lägga i eller ta ur kläder. Om villkoren för att öppna luckan inte är uppfyllda kan luckan inte öppnas.

När du har lagt i mer kläder trycker du på start/pausknappen så fortsätter tvättprogrammet.

⚠ Om du lägger till mycket tvätt under pågående program kan det hända att tvätten tvättas mindre effektivt, eftersom tvättmaskinen initialt kände av en lägre vikt på tvätten och därför använde en mindre mängd vatten. Otillräcklig mängd vatten i förhållande till mängden tvätt kan även orsaka skador på tvätten (gnuggning av torr tvätt), och tvättiden kan förlängas.

⚠ Tiden återupptas från den punkt där tvättprogrammet avbröts.

⚠ Om programmet avbryts under centrifugeringen och sedan startas om, körs det från det ursprungliga centrifugeringsläget.

FEL

Om det fel inträffar avbryts programmet.

Blinkande signallampor och en ljudsignal varnar för detta (se FELSÖKNINGSTABELLEN), och felet visas på displayen (F:XX).

FEL I STRÖMFÖRSÖRJNINGEN

Vid fel i strömförsörjningen (strömavbrott) avbryts tvättprogrammet. När strömmen kommer tillbaka återupptas programmet på det ställe där det avbröts.

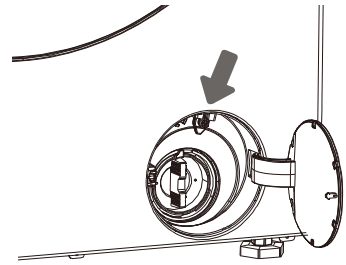
NÖDÖPPNING AV LUCKA

⚠ Om det fortfarande finns vatten i maskinen efter ett strömavbrott ska luckan inte öppnas förrän vattnet har tappats ur manuellt via pumpfiltret.

Om det inte går att öppna luckan på grund av strömavbrott eller andra särskilda omständigheter kan luckans låsspak på dräneringspumpens lucka användas för nödöppning.

Obs!

1. Använd inte denna metod när maskinen fungerar normalt.
2. Kontrollera först att den inre trumman har slutat snurra, att vattnet inte är för varmt och att vattennivån inte är så hög att vatten forsar ut när luckan öppnas. Om vattennivån är för hög kan du leda bort vatten genom avledningsröret (om sådant finns) eller genom att långsamt skruva bort filtret.
3. Gör så här: Öppna locket på luckan till dräneringspumpen och dra ner låsspaken med hjälp av ett verktyg. Därefter kan luckan öppnas (som visas på bilden).



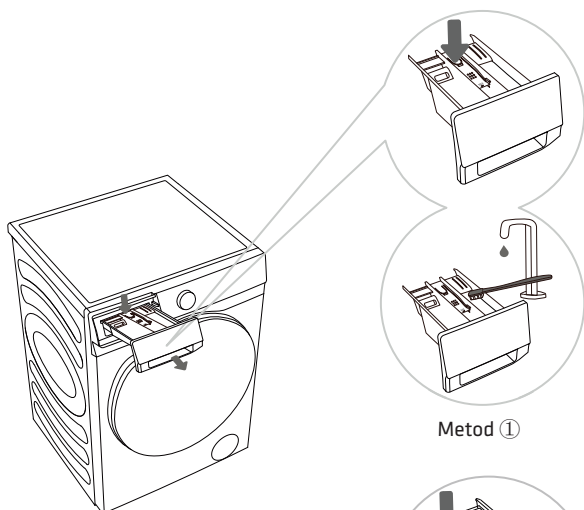
UNDERHÅLL OCH RENGÖRING

⚠ Dra ur tvättmaskinens kontakt från eluttaget innan rengöringen påbörjas.

☹ Barn får inte rengöra tvättmaskinen eller utföra underhåll utan ordentlig tillsyn!

RENGÖRING AV TVÄTTMEDELSFACKET

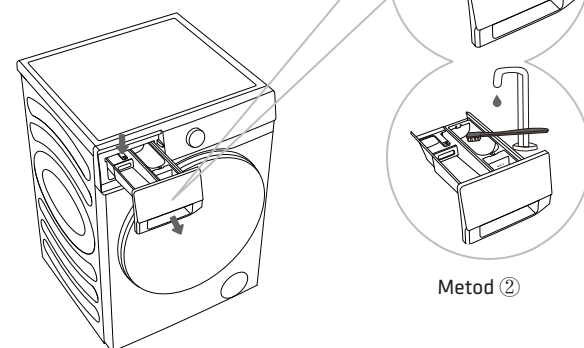
☹ Rengör tvättmedelsfacket regelbundet.



Metod ①

1 Tryck på den lilla spärren för att ta ut tvättmedelsfacket.

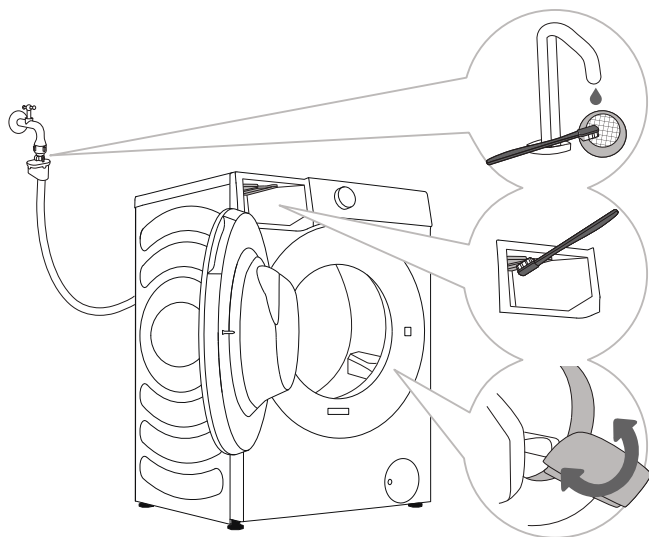
2 Rengör tvättmedelsfacket med en borste under rinnande vatten och torka det sedan. Avlägsna även eventuella tvättmedelsrester. Ta bort sköljmedelsinsatsen från tvättmedelsfacket. Diska alla delar under rinnande vatten, sätt tillbaka sköljmedelsinsatsen i tvättmedelsfacket och sätt tillbaka dem i maskinen.



Metod ②

☹ Tvättmedelsfacket får inte diskas i diskmaskin.

RENGÖRING AV VATTENTILLOPPSSLANGEN, TVÄTTMEDELSBEHÅLLARENS HÖLJE OCH LUCKANS GUMMIPACKNING

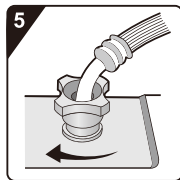
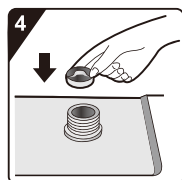
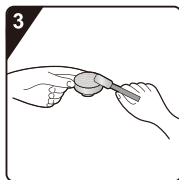
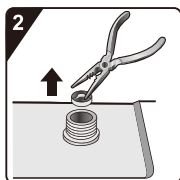
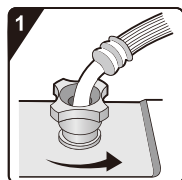


1 Rengör nätfiltret ofta under rinnande vatten.

2 Använd en borste för att rengöra hela doseringsdelen för tvättmedel, särskilt munstyckena på ovansidan.

3 Torka av gummitätningarna i luckan efter varje tvätt, så håller de längre.

RENGÖR VATTENINLOPPSFILTRET REGELBUNDET



1 Stäng kranen och skruva loss inloppsslangen på maskinens baksida.

2 Dra bort nätfiltret från maskinens anslutning med en universaltång.

3 Rengör det invändiga nätfiltret.

4 Sätt tillbaka nätfiltret.

☼ Vatteninloppsfiltret fångar upp kalk och andra partiklar som kan finnas i det vatten som tillförs maskinen.

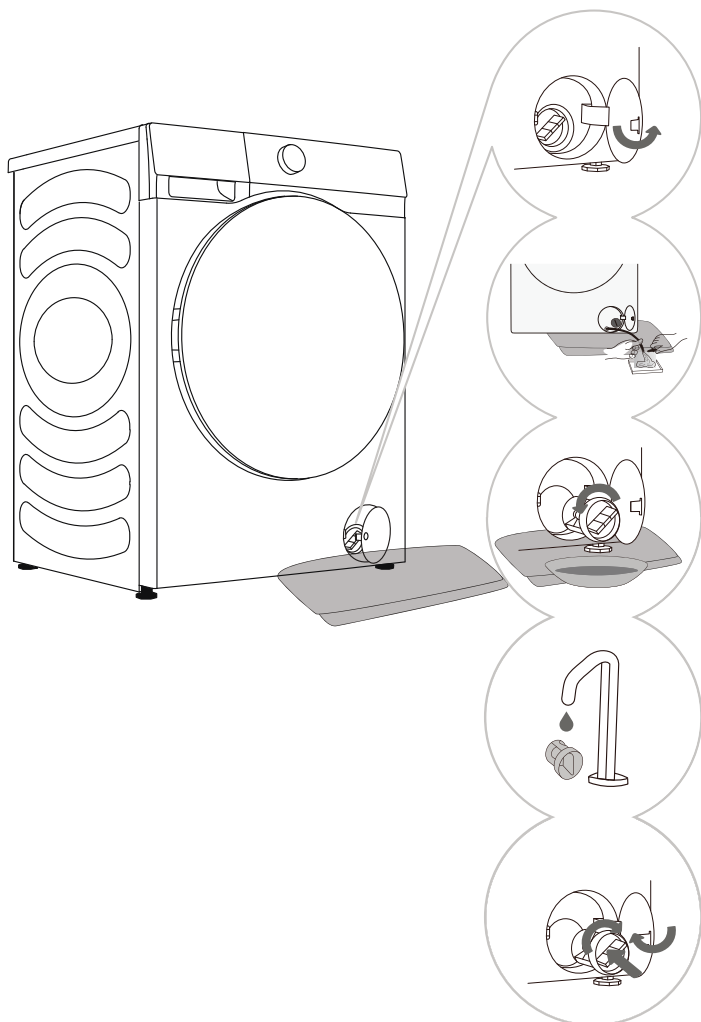
Rengör inloppsfiltret ungefär var sjätte månad, eller oftare om vattnet är mycket hårt eller innehåller spår av kalk.

5 Skruva fast inloppsslangen. Öppna kranen och kontrollera att anslutningarna är helt vattentäta.

RENGÖRING AV PUMPFILTRET

☼ Under rengöringen kan lite vatten spillas ut. Vi rekommenderar därför att du lägger en absorberande trasa på golvet.

Kontrollera att vattnet har svalnat innan du tömmer ut det ur maskinen.



☼ Pumpfiltret måste rengöras i god tid, särskilt efter tvätt av mycket fluffig, ullig eller mycket smutsig tvätt.

☼ Rengör även pumpfiltret om maskinen inte kan starta centrifugeringen eller om det finns föremål i pumpen (knappar, mynt, hårnålar eller hårspännen och liknande).

1 Öppna pumpfiltrets lock.

Metod 1: Tryck på luckskyddet så öppnas det automatiskt.

Metod 2: Öppna pumpfiltrets lock med hjälp av ett lämpligt verktyg. Metoden beror på modellen.

2 Lägg en handduk under filterluckan.

Om maskinen har ett nödtömningsrör ska detta dras ut. Placera nödtömningsrör ände i en behållare.

Om maskinen inte har något nödtömningsrör ska en behållare placeras under pumpfiltret.

Metoden beror på modellen.

Vrid på nödtömningsrörets plugg och ta bort den så att vattnet långsamt kan rinna ut. Sätt tillbaka pluggen på nödtömningsröret.

3 Vrid pumpfiltret långsamt moturs. Dra ut och ta bort pumpfiltret.

4 Rengör pumpfiltret under rinnande vatten.

5 Byt ut pumpfiltret såsom visas på bilden och dra åt det genom att vrida det medurs. För att få en bra tätning måste filterpackningens ytskikt vara rent.

RENGÖRING AV TVÄTTMASKINENS UTSIDA

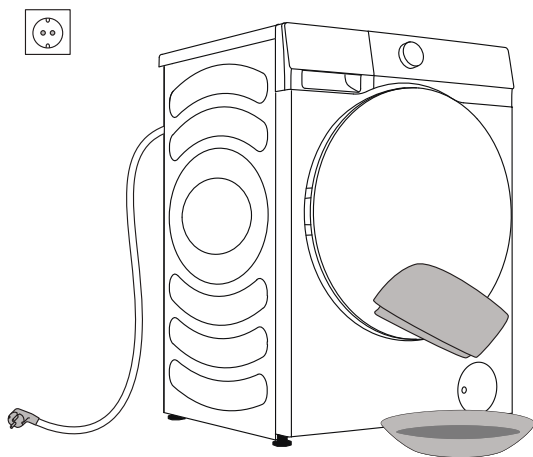
⚠ Koppla alltid bort tvättmaskinen från elnätet innan rengöringen.

Rengör tvättmaskinens utsida och display med en mjuk, fuktig bomullstrasa och vatten. Använd sedan en mjuk, torr trasa för att torka maskinen.

⚠ Använd inga lösningsmedel, slipande rengöringsmedel eller rengöringsmedel som kan skada maskinen (följ de rekommendationer och varningar som anges på rengöringsmedlets förpackning).

Torka vid behov av maskinens lucka med en fuktig trasa och torka sedan torrt med en torr, mjuk trasa.

⚡ Rengör inte tvättmaskinen med högtryckstvätt!



FELSÖKNING

VAD SKA MAN GÖRA...?

Tvättmaskinen ska automatiskt styra användningen av vissa funktioner under tvättcykeln. Om någon avvikelse upptäcks visas detta genom att (F:XX) anges på displayen. Tvättmaskinen visar felet tills den stängs av. Störningar från omgivningen (t.ex. elnätet) kan orsaka olika felrapporter (se FELSÖKNINGSTABELLEN). Om detta händer:

- Stäng av tvättmaskinen och vänta några sekunder.
- Starta tvättmaskinen och kör tvättprogrammet igen.
- De flesta driftsfelen kan avhjälpas av användaren (se FELSÖKNINGSTABELLEN).
- Kontakta en auktoriserad serviceverkstad om felet kvarstår.
- Reparationer får endast utföras av personer med erforderlig utbildning.
- Garantin täcker inte reparation eller garantianspråk som beror på felaktig anslutning eller användning av tvättmaskinen. Om så är fallet debiteras användaren kostnaderna för reparationen.

⚡ Garantin täcker inte fel eller skador som uppstår på grund av störningar från omgivningen (blixtnedslag, fel i elnätet, naturkatastrofer och liknande).

FELSÖKNING OCH FELTABELL

Problem/felkod	Beskrivning av problemet	Vad ska man göra?
F01	Fel på vatteninflöde	Kontrollera följande: <ul style="list-style-type: none"> • Är vattenkranen öppen men trycket för lågt? • Är vattentilloppslangen klämd? • Är filtret på vattentilloppslangen igensatt? • Finns det is i slangen? Tryck på "start/paus"-knappen igen när detta har kontrollerats.
F03	Fel på vattenutlopp	Kontrollera följande: <ul style="list-style-type: none"> • Är slangen klämd, flödar vattnet genom den? • Är filtret på utloppsslangen igensatt? • Finns det is i slangen? Tryck på "start/paus"-knappen igen när detta har kontrollerats.
F04/F05/F06/F07/ F23	Fel i elektronisk modul	Stäng av maskinen. Tryck in strömknappen i 2 sekunder. Tryck på "start/paus"-knappen igen. Kontakta en auktoriserad servicetekniker om felet uppstår igen.
F24	Vattennivån är för hög	Stoppa programmet genom att trycka på start/pausknappen. Starta om programmet. Om maskinen fortsätter att pumpa vatten i trumman ska du stänga vattenkranen och kontakta en servicetekniker.
F13	Fel vid låsning av luckan	Luckan är stängd, men kan inte låsas. Stäng av tvättmaskinen. Slå på den igen och starta om tvättprogrammet. Kontakta en auktoriserad servicetekniker om felet uppstår igen.
F14	Fel vid låsning av luckan	Luckan är stängd men går inte att låsa upp. Stäng av maskinen och slå på den igen. Kontakta en auktoriserad servicetekniker om felet uppstår igen.
Unb	Larm om obalans	Larm om obalans ska lösas på följande sätt <ol style="list-style-type: none"> 1. Omfördelning av tvätt Tryck på strömknappen i 2 sekunder för att stänga av tvättmaskinen. Öppna luckan och omfördela kläderna i maskinen. Välj sedan programmet med en enskild centrifugering. 2. För lätt tvätt Tryck på strömknappen i 2 sekunder för att stänga av maskinen. Öppna luckan, stoppa i en handduk eller två och välj sedan programmet med en enskild centrifugering.

TVÄTTREKOMMENDATIONER OCH EKONOMISK ANVÄNDNING AV TVÄTTMASKINEN

Tvätta nya kulörta plagg separat första gången.

Tvätta hårt smutsad tvätt i mindre omgångar, med mer tvättmedel i pulverform eller med en förtvättcykel.

Använd ett särskilt fläckborttagningsmedel på envisa fläckar före tvätt. Under TIPS FÖR FLÄCKBORTTAGNING kan du läsa mer.

Om du ofta tvättar i låga temperaturer och med flytande tvättmedel kan det utvecklas bakterier som kan orsaka dålig lukt i tvättmaskinen. För att förhindra sådan lukt rekommenderar vi att programmet Trumrengöring körs ibland.

Vi rekommenderar att inte tvätta mycket små mängder tvätt eftersom det leder till onödig energiförbrukning och sämre prestanda hos tvättmaskinen.

Skaka om ihopvikt tvätt innan den läggs i trumman.

Använd endast tvättmedel för maskintvätt.

Fyll på med tvättmedel i pulverform eller flytande form enligt tillverkarens anvisningar, i enlighet med tvätttemperaturen och det valda tvättprogrammet.

Vid användning av högkoncentrerade tvättmedel bör speciella doseringsbollar (som medföljer tvättmedlet) användas och placeras direkt i maskinens trumma.

Om vattnets hårdhet överstiger 14 °dH bör en avhårdare användas. Skador på värmeelementet som beror på felaktig användning av vattenavhårdare omfattas inte av garantin. Kontrollera informationen om vattnets hårdhet hos din lokala vattenleverantör eller myndighet.

Användning av klorbaserade blekmedel rekommenderas inte eftersom de kan skada värmeelementet.

Om du använder ett avkalkningsmedel, blekmedel eller färgningsmedel ska endast en typ som är lämplig för användning i maskinen användas.

Använd inte lösningsmedel eller liknande kemikalier (t.ex. thinner, terpentin, bensin etc.)!

Fyll inte på pulvertvättmedel med hårda klumpar i tvättmedelsbehållaren eftersom det kan täppa till rören i tvättmaskinen.

Vid användning av tjockflytande tvättmedel rekommenderar vi att de späds ut med vatten för att undvika igensättning av tvättmedelsfackets utlopp.

Flytande tvättmedel är avsedda för tvättprogram utan förtvätt.

TIPS FÖR FLÄCKBORTTAGNING

Innan du använder speciella fläckborttagningsmedel bör du prova att använda naturliga metoder som inte skadar miljön på mindre envisa fläckar.

Dock behöver du handla snabbt! Blötlägg fläcken med en absorberande svamp eller en pappershandduk. Skölj sedan med kallt (ljummet) vatten – men aldrig med varmt vatten!

Fläckar	Fläckborttagning
Lera	När fläcken är torr kan du skrapa bort den från plagget innan du tvättar det i tvättmaskinen. Om det är en envis fläck kan du blötlägga den med ett enzymbaserat fläckborttagningsmedel innan det tvättas. Om fläcken inte är envis kan du tvätta plagget med flytande tvättmedel eller pulvertvättmedel och vatten före maskintvätten.
Antiperspirant	Applicera flytande tvättmedel på plagget innan det tvättas i tvättmaskinen. Använd fläckborttagningsmedel på envisa fläckar. Alternativt kan du använda syrebaserat blekmedel för tvätten.
Te	Blötlägg eller skölj plagget i kallt vatten och tillsätt fläckborttagningsmedel vid behov.
Choklad	Blötlägg eller skölj plagget med ljummet tvålvaatten. Applicera sedan citronsaft och skölj.
Bläck	Applicera fläckborttagningsmedel på fläcken innan plagget maskintvättas. Det går även bra att använda denaturerad alkohol. Vänd plagget ut och in och lägg en pappershandduk under fläcken. Applicera alkoholen på fläckens baksida. Skölj plagget noggrant i slutet av processen.
Tuschpennor	Späd ut lite stärkelse i vatten och applicera det på fläcken. När det torkat skrapar du bort det med en borste och tvättar sedan plagget i tvättmaskinen.
Barnmat (urin-, ler-, matfläckar)	Blötlägg fläckarna i ljummet vatten i minst en halvtimme innan de tvättas i tvättmaskinen. Tillsätt ett enzymbaserat fläckborttagningsmedel så blir det lättare att ta bort fläckarna.
Gräs	Blötlägg tvätten i ett enzymbaserat fläckborttagningsmedel innan du tvättar den i tvättmaskinen. Gräsfläckar kan även tas bort genom att blötläggas (i ca 1 timme) i utspädd citronsaft eller destillerad vinäger.
Ägg	Blötlägg plagget i ett enzymbaserat fläckborttagningsmedel. Blötlägg i kallt vatten i minst 30 minuter eller i några timmar om fläckarna är envisa. Tvätta sedan i tvättmaskinen.
Kaffe	Blötlägg plagget i saltvatten. Om fläcken inte är färsk kan den blötläggas med en blandning av glycerin, ammoniak och alkohol.
Skokräm	Applicera matolja på fläcken och skölj.

Fläckar	Fläckborttagning
Blod	Färsk fläck – skölj plagget med kallt vatten och tvätta det i tvättmaskinen. Intorkad fläck – blötlägg plagget i ett enzymbaserat fläckborttagningsmedel. Tvätta sedan i tvättmaskinen. Om fläcken inte försvinner kan du försöka ta bort den med ett blekmedel som är lämpligt för plagget.
Lim, tuggummi	Lägg plagget i en påse och lägg den i frysen tills fläcken har härdats. Ta sedan bort den med en matkniv eller liknande. Späd därefter ut fläcken med ett fläckborttagningsmedel för förtvätt och skölj noggrant. Tvätta sedan tvätten som vanligt.
Makeup	Använd ett fläckborttagningsmedel i förtvätten och tvätta sedan i tvättmaskinen.
Smör	Applicera fläckborttagningsmedel på fläcken innan maskintvätten. Skölj sedan med varmt vatten (så varmt som tyget tål).
Mjölk	Blötlägg plagget i ett enzymbaserat fläckborttagningsmedel. Blötlägg i minst 30 minuter eller i några timmar om fläckarna är envisa. Tvätta sedan i tvättmaskinen.
Fruktsaft	Applicera en blandning av salt och vatten på fläcken. Låt verka en stund och skölj sedan. Du kan applicera natriumbikarbonat, destillerad vinäger eller citronsaft på fläcken innan plagget tvättas i tvättmaskinen. Använd glycerin på gamla fläckar. Skölj med kallt vatten efter 20 minuter och tvätta sedan plagget i tvättmaskinen.
Vin	Blötlägg tvätten i kallt vatten i minst 30 minuter. Använd även ett fläckborttagningsmedel. Tvätta sedan i tvättmaskinen.
Vax	Lägg plagget i frysen tills vaxet har stelnat. Skrapa sedan bort det. Avlägsna det kvarvarande vaxet genom att lägga en pappershandduk på fläcken och värm sedan upp den med ett strykjärn tills papperet absorberar vaxet.
Svett	Gnid in fläckarna med flytande tvättmedel innan de maskintvättas.

TABELL ÖVER TYPISK ENERGI FÖRBRUKNING

Programinstruktioner

1. Programmet Eco 40-60 kan tvätta normalt smutsad bomullstvätt som enligt anvisningarna kan tvättas i cirka 40 °C till 60 °C tillsammans i samma cykel. Detta program används för att fastställa överensstämmelsen med EU:s lagstiftning om ekodesign.
2. Energiförbrukningen i avstängt läge är 0,49 W.
3. De mest effektiva programmen när det gäller energiförbrukning är i allmänhet de som körs vid lägre temperaturer och under längre tid.
4. Genom att fylla tvättmaskinen upp till den kapacitet som tillverkaren anger för respektive program bidrar du till att spara energi och vatten.
5. Korrekt användning av tvättmedel, sköljmedel och andra tillsatser. Använd inte onödigt mycket tvättmedel. Det kan försämra tvätresultatet.
6. Regelbunden rengöring, med optimalt intervall, samt åtgärder för att förebygga kalkavlagringar.
7. Bullret och hur mycket fukt som finns kvar i tvätten beror på centrifugeringshastigheten. Ju högre centrifugeringshastighet i centrifugeringsfasen, desto högre buller och desto mindre kvarvarande fukt.
8. Produktinformationen och QR-koden framgår av energiförbrukningsmärkningen. Produktens registreringsinformation kan hämtas genom att skanna QR-koden.
9. Information om standardprogram.

Program	Vald temperatur (°C)	Nominell kapacitet (kg)	Maximal temperatur i trumman (°C)	Programmets varaktighet (tim:min)	Energi-förbrukning (kWh/cykel)	Vatten-förbrukning (liter/cykel)	Återstående fuktighetshalt (%)	Maximalt varvtal (rpm)
Eco 40-60 full maskin	-	10,0	31	3:59	0,680	62,0	53,00	1400
Eco 40-60 halv maskin	-	5,0	26	3:00	0,410	47,0	53,00	1400
Eco 40-60 1/4 maskin	-	2,5	24	2:20	0,230	34,0	55,00	1400
20 °C	20	10,0	20	1:50	0,250	100,0	56,00	1400
Bomull	60	10,0	58	3:29	2,280	130,0	56,00	1400
Syntet-material	40	5,0	40	2:23	1,000	82,0	38,00	1400
Snabb 15'	20	1,0	20	0:15	0,060	33,0	65,00	800

De värden som anges för andra program än Eco 40-60 är endast vägledande.

☼ Maximal eller nominell belastning gäller för tvätt som förberetts i enlighet med standarden IEC 60456.

⚠ På grund av avvikelser när det gäller tvättens typ och mängd, centrifugering, svängningar i strömförsörjningen samt omgivningens temperatur och luftfuktighet kan programtiden och energiförbrukningen som uppmäts hos slutanvändaren skilja sig från de värden som anges i tabellen. Vi förbehåller oss rätten till ändringar och reserverar oss för eventuella fel i bruksanvisningen.

Power International AS,
PO Box 523, N-1471 Lørenskog, Norway

Power Norge:
<https://www.power.no/kundeservice/>
T: 21 00 40 00

Power Danmark:
<https://www.power.dk/kundeservice/>
T: 70 33 80 80

Punkt 1 Danmark:
<https://www.punkt1.dk/kundeservice/>
T: 70 70 17 07

Power Finland:
<https://www.power.fi/tuki/asiakaspalvelu/>
T: 0305 0305

Power Sverige:
<https://www.power.se/kundservice/>
T: 08 517 66 000

