

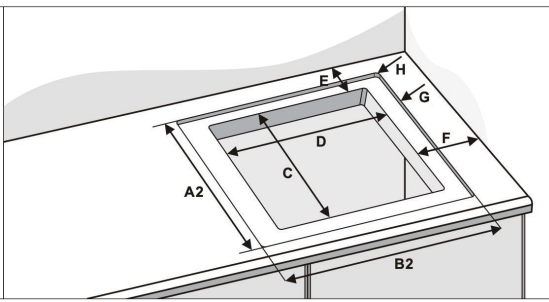
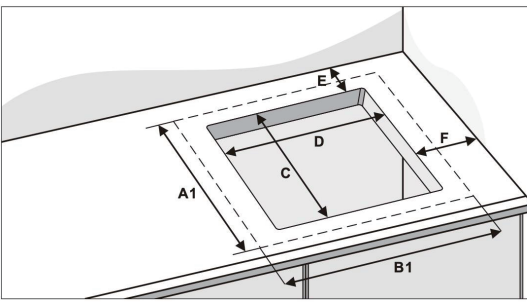
Fig.5

- A. 20mm min
- B. 20mm max

Fitting-installing:

The cut-out sizes are:

Flushed:



	Glass size		Cut-out size		Rear	Side	Radius	Cut size		Deep
	A1	B1	C	D	E	F	H	A2	B2	G
POIH51804F	520	770	495	745	50	40	10	526	776	5