

point

Built-in refrigerator

PORF177DDN

User Manual

LIFE MADE EASIER

GB

Thank you for purchasing your new POINT fridge. These operating instructions will help you use it properly and safely. We recommend that you spend some time reading this instruction manual in order that you fully understand all the operational features it offers. Read all the safety instructions carefully before use and keep this instruction manual for future reference.

NO

Takk for at du kjøpte ditt nye POINT kjøleskap. Denne bruksanvisningen vil hjelpe deg med å bruke den på en trygg og riktig måte. Vi anbefaler at du tar deg tid til å lese gjennom hele bruksanvisningen for å bli fortrolig med alle funksjonene som tilbys. Les alle sikkerhetsanvisningene nøye før bruk, og oppbevar bruksanvisningen for fremtidig referanse.

FI

Kiitos, kun valitsit uuden POINT-jääkaapin. Nämä käyttöohjeet opastavat sinua käyttämään laitetta oikein ja turvallisesti. Suosittelemme, että käytät hieman aikaa tämän käyttöoppaan lukemiseen, jotta ymmärrät täysin, mitä toimintoja laitteessa on. Lue kaikki turvallisuusohjeet huolellisesti ennen laitteen käyttöä ja säilytä käyttöopas myöhempää tarvetta varten.

DK

Tak for købet af dit nye køleskab fra POINT. Disse brugervejledninger hjælper dig med at bruge dette apparat rigtigt og sikkert. Vi anbefaler, at du læser denne brugervejledning, så du får en fuld forståelse af hvordan alle funktionerne virker. Læs sikkerhedsforskrifterne grundigt inden brug, og gem denne brugervejledning til senere brug.

SE

Tack för att du har köpt ditt nya kylskåp från POINT. Denna bruksanvisning hjälper dig att använda den på ett säkert och korrekt sätt. Vi rekommenderar att du tar dig tid att läsa igenom denna bruksanvisning för att till fullo förstå alla driftfunktioner som den erbjuder. Läs noga igenom alla säkerhetsinstruktioner före användning och spara bruksanvisningen för framtida bruk.

Instruction manual - English	page	4 - 27
Bruksanvisning - Norsk.....	side	28 - 51
Käyttöopas - Suomi	sivu	52 - 75
Brugervejledning - Dansk.....	side	76 - 99
Bruksanvisning - Svenska.....	sida	100 - 123

GB

NO

FI





DK

SE

Before switching on the appliance for the first time read the following safety hints!

- > This appliance is intended to be used in household and similar applications such as staff kitchen areas in shops, offices and other working environments; farm houses and by clients in hotels, motels and other residential type environments; bed and breakfast type environments; catering and similar non-retail applications.
- > This appliance is not intended for use by persons (including children) with reduced physical, sensory or mental capabilities, or lack of experience and knowledge, unless they have been given supervision or instruction concerning use of the appliance by a person responsible for their safety.

Explanation of terms/symbols

	DANGER This symbol indicates that there are dangers to the life and health of persons due to extremely flammable gas.
	WARNING The signal word indicates a hazard with a medium level of risk which, if not avoided, may result in death or serious injury.
	CAUTION The signal word indicates a hazard with a low degree of risk which, if not avoided, may result in minor or moderate injury.
	ATTENTION The signal word indicates important information (e.g. damage to property), but not danger.

IMPORTANT: Pay particular attention to messages that contain the words **DANGER**, **WARNING** or **CAUTION**. These words are used to alert you to a potential hazard that can seriously injure you and others. The instructions will tell you how to reduce the chance of injury and let you know what can happen if the instructions are not followed.

ATTENTION: These operating instructions are general. This means that certain functions apply to your refrigerator, while others do not.

We are constantly working on the further development and improvement of our appliance types and models. Therefore, we reserve the right to make changes to the design, equipment and accessories of all types and models without prior notice.

IMPORTANT SAFETY INSTRUCTIONS

READ AND SAVE THESE INSTRUCTIONS!



WARNING: Risk of fire / flammable material

The refrigerant and the cyclopentane blowing agent used in this appliance are flammable. When the appliance is disposed of, keep it away from any sources of ignition and do not burn it. Instead, have it collected by a qualified recycling company so that the refrigerant can be recovered safely and environmental damage is avoided.

WARNING

General Safety

- > Children should be supervised to ensure that they do not play with the appliance.
 - > If the supply cord is damaged, it must be replaced by the manufacturer, its service agent or similarly qualified persons in order to avoid a hazard.
 - > Do not store explosive substances such as aerosol cans with a flammable propellant in this appliance.
 - > The appliance has to be unplugged before carrying out user maintenance on the appliance.
 - > **WARNING:** Keep ventilation openings, in the appliance enclosure or in the built-in structure, clear of obstruction.
 - > **WARNING:** Do not use mechanical devices or other means to accelerate the defrosting process, other than those recommended by the manufacturer.
 - > **WARNING:** Do not damage the refrigerant circuit.
 - > **WARNING:** Do not use electrical appliances inside the food storage compartments of the appliance, unless they are of the type recommended by the manufacturer.
 - > **WARNING:** Dispose of the refrigerator according to local regulators because it contains flammable blowing gas and refrigerant.
- > **WARNING:** When positioning the appliance, ensure the supply cord is not trapped or damaged.
 - > **WARNING:** Do not place multiple portable socket-outlets or portable power supplies at the rear of the appliance.
 - > Do not use extension cords or ungrounded (two prong) adapters.
 - > To avoid a hazard due to instability of the appliance, it must be fixed in accordance with the instructions.
 - > The refrigerator must be disconnected from the source of electrical supply before attempting the installation of accessories. Ensure that the power cable is not trapped by the refrigerator. Do not step on the power cable.

CAUTION

Daily use

- > Do not pull the power cord when pulling the power plug of the refrigerator. Firmly grasp the plug and pull out it from the socket directly.
 - > To ensure safe use, do not damage the power cord or use the power cord when it is damaged or worn.
 - > Use a dedicated power socket that is not to be shared with other electrical appliances.
 - > The power plug should be in firm contact with the socket or else it might cause a fire.
 - > Ensure that the grounding electrode of the power socket is equipped with a reliable grounding line.
 - > If you smell gas or other flammable gases, turn off the gas supply valve immediately, and open doors and windows to ventilate the area.
 - > In the event of a gas leak, do not unplug the refrigerator or operate any electrical switches; the spark could ignite the gas and cause a fire.
 - > Do not use electrical appliances on the top of the appliance, unless they are of the type recommended by the manufacturer.
 - > The gaps between refrigerator doors and body are small. Do not put your hand in these areas to prevent your finger from being squeezed. Be gentle when closing the refrigerator door to prevent items from falling.
 - > Do not let children climb into or onto the refrigerator; they could suffocate or fall and be seriously injured.
 - > Do not place heavy objects on the top of the refrigerator considering that items may fall when closing or opening the door, and it might result in accidental injuries.
 - > Do not put flammable, explosive, volatile and highly corrosive items in the refrigerator to prevent damages to the fridge or fire accidents.
- > Do not place flammable items near the refrigerator to avoid fires.
 - > The refrigerator is intended for household use, such as storage of foods; it shall not be used for other purposes, such as storage of blood, drugs or biological products, etc.

WARNING

For EU standard:

This appliance can be used by children aged 8 years and older and persons with reduced physical, sensory or mental capabilities or lack of experience and knowledge if they are supervised or instructed on the safe use of the appliance in a safe way and understand the hazards involved. Children shall not play with the appliance. Cleaning and user maintenance shall not be carried out by children without supervision.

To avoid contamination of food, please respect the following instructions:

- Opening the door for long periods can cause a significant increase of the temperature in the compartments of the appliance.
- Clean regularly surfaces that can come in contact with food and accessible drainage systems.
- Clean water tanks if they have not been used for 48h; flush the water system connected to a water supply if water has not been drawn for 5 days. **(Note 1)(*)**
- Store raw meat and fish in suitable containers in the refrigerator, so that it is not in contact with or drip onto other food.
- Two-star frozen-food compartments are suitable for storing pre-frozen food, storing or making ice-cream and making ice cubes. **(Note 2)(*)**
- 1 star, 2 star and 3 star compartments are not suitable for the freezing of fresh food. **(note 3)(*)**
- For appliances without a 4-star compartment: this refrigerating appliance is not suitable for freezing foodstuffs. **(note 4)(*)**
- If the refrigerating appliance is left empty for long periods, switch off, defrost, clean, dry, and leave the door open to prevent mould developing within the appliance.

Note 1,2,3,4: Please confirm whether it is applicable according to your product compartment type.

(*) : This feature varies depending on the model purchased.



"4 star" symbol: Freezer at -18 °C or colder, and it has the ability of quick freezing a certain amount of food.



"3 star" symbol: Freezer compartment at -18 °C or colder.



"2 star" symbol: Freezer compartment at -12 °C or colder.



"1 star" symbol: Freezer compartment with a target temperature and storage conditions of -6 °C.

CAUTION

This product is not recommended for use with sockets or main switch with the AFCI/GFCI function, otherwise it may cause false tripping.

1. It's not pose a safety risk when tripped.
2. If tripping persists, it is recommended to replace the sockets or main switch with one without AFCI/GFCI function.

WARNING

Risk of child entrapment. Before you throw away your old refrigerator:

- > Take off the doors.
- > Leave the shelves in place so that children may not easily climb inside.

ENVIRONMENTAL PROTECTION

Disposing of old electrical devices in an environmentally-friendly manner



This crossed-out wheeled bin symbol indicates that waste electrical and electronic products (WEEE) should be disposed of separately from the municipal waste stream.

Old electrical products can contain hazardous substances, so correct disposal of your old appliance will help prevent potential negative consequences for the environment and human health. Your old appliance may contain reusable parts that could be used to repair other products, and other valuable materials that can be recycled to conserve limited resources.

Package information



Packaging materials of the product are manufactured from recyclable materials in accordance with our National Environment Regulations. Do not dispose of the packaging materials together with the domestic or other wastes. Take them to the packaging material collection points designated by the local authorities.

CAUTION

The refrigerant and the cyclopentane blowing agent used in this appliance are flammable. When the appliance is disposed of, keep it away from any sources of ignition and do not burn it. Instead, have it collected by a qualified recycling company so that the refrigerant can be recovered safely and environmental damage is avoided.

INSTALLATION INSTRUCTIONS

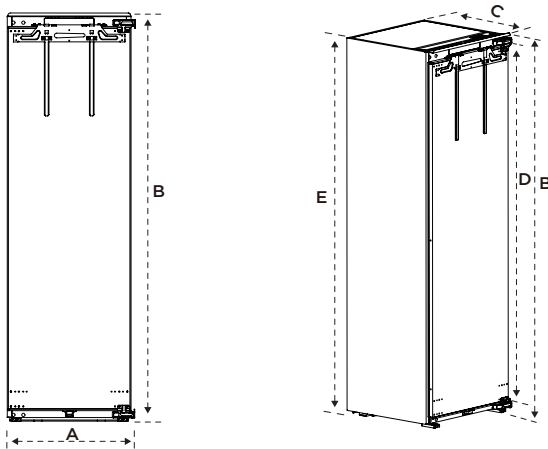
Before first use

Remove the exterior and interior packing, wipe the outside thoroughly with a soft dry cloth and the inside with a wet, lukewarm cloth.

Before connecting your refrigerator to the power supply, check that the voltage stated on the rating label of your appliance corresponds to the voltage in your home. A different voltage could damage the appliance.

The appliance must be grounded. The manufacturer is not responsible for damages that may occur as a result of usage without grounding.

Space requirement diagram



A	B	C	D	E
557	1785	550	1676	1770

Notice: All dimensions in mm

Ambient Temperature

Depending on the climate class, this refrigerator is intended to be used at an ambient temperature range as specified in the right table.

The product may not operate properly at temperatures outside of the specific range.

You can find the climate class on the product label.

Climate Class	Ambient Temperature
SN	+10 °C to +32 °C
N	+16 °C to +32 °C
ST	+16 °C to +38 °C
T	+16 °C to +43 °C

If you have any doubts regarding installation, please turn to the vendor, to our customer service or to the nearest Authorised Service Centre.

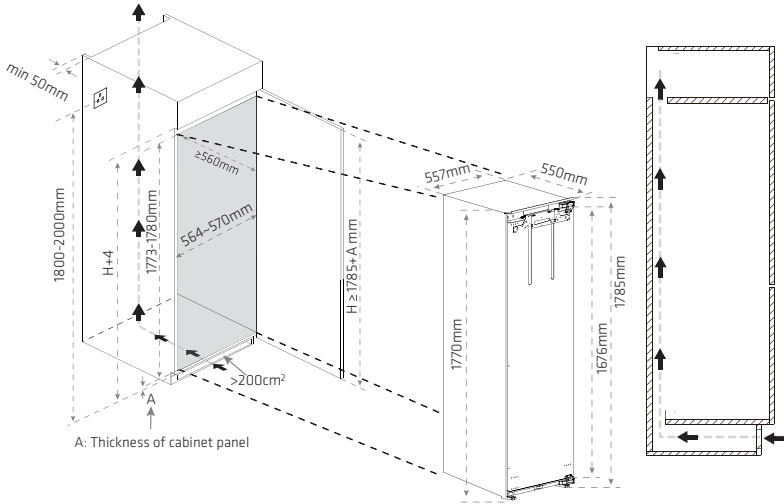
ATTENTION

The cooling performance and power consumption of the refrigerator may be affected by the ambient temperature, the door-opening frequency, and the location of the refrigerator. We recommend adjusting the temperature settings as appropriate.

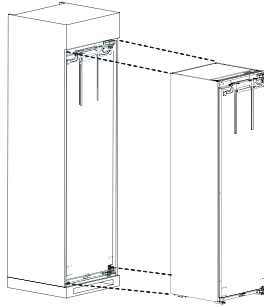
GB

Installation in cabinet

Cabinet size requirement. (The skirting board and the back of the cabinet must include a continuous opening to allow heat dissipation.)

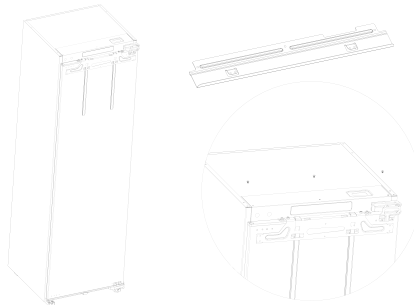


The refrigerator is installed in cabinet as follows:



Top baffle mounting

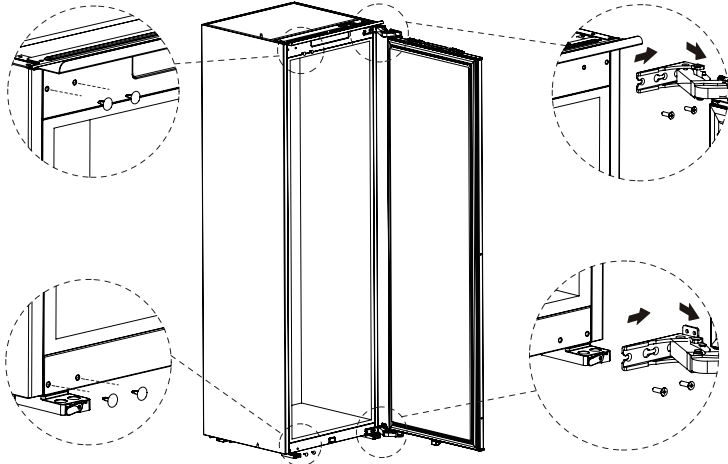
Take out the top baffle, remove the packaging bag; Assemble the top baffle in the shown position and secure it with 3 screws.



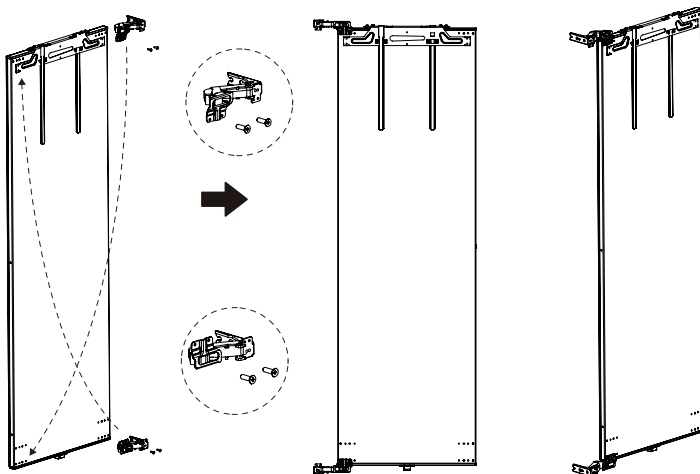
Door reversal

The door opening direction of refrigerator is right-handed by default. If you want to change it to left-handed, the steps are as follows:

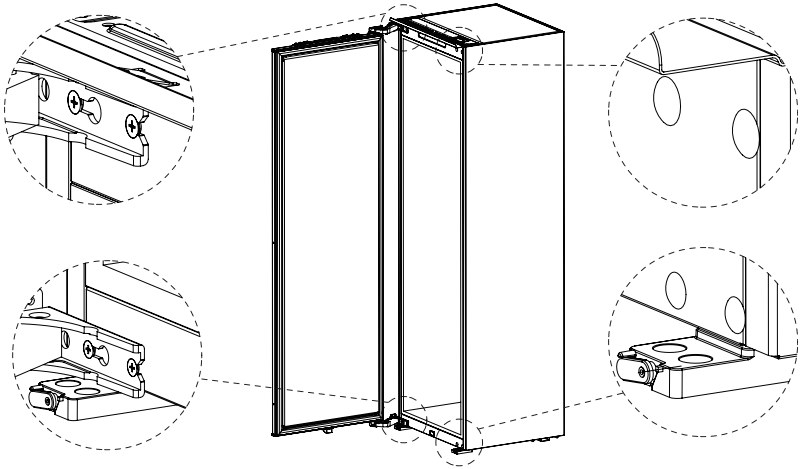
1. **Open the door, and pull out the pins from upper beams and lower beams.**
2. **Remove the hinge screws, and then remove door carefully as it is very heavy.**



3. **Remove the upper and lower hinges of the door, and then fasten the hinges to the door after reversing the positions.**



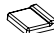


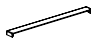

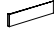




4. Install the door back to cabinet and fix with screw. Then plug in pins to the hinge screw hole on the right side. Door reversing is done.



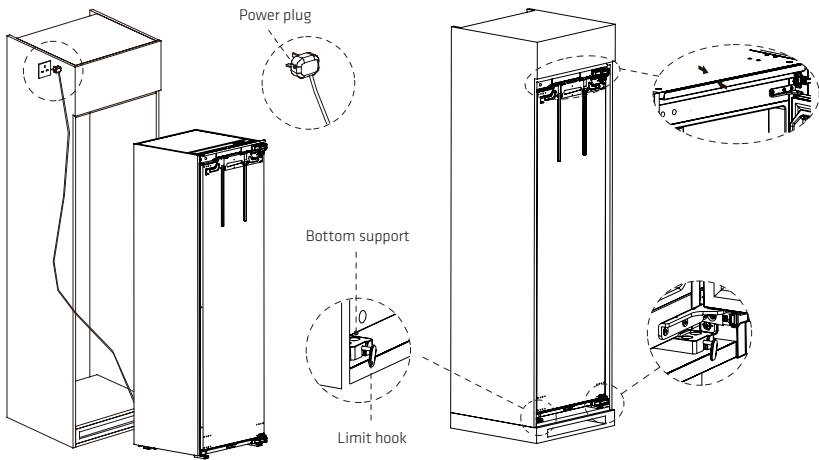
5. Putting the refrigerator into the cabinet.

- > Unpack the refrigerator and take out the installation accessories in the refrigerator door:

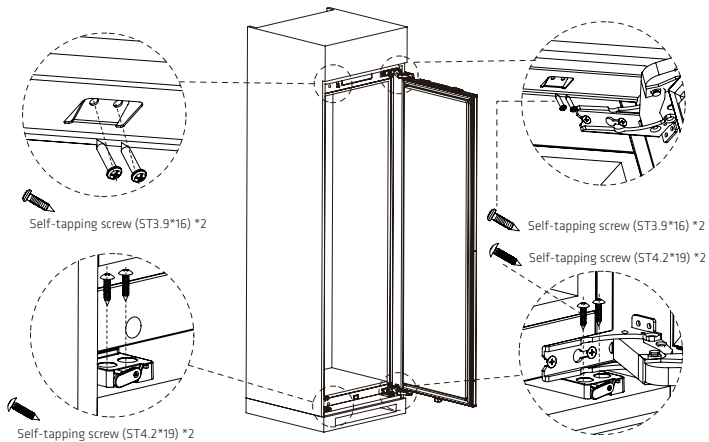


-  Door opening side bracket*2
-  Door opening side bracket cover*2
-  Hinge side bracket*2
-  Hinge side bracket cover*2
-  Top baffle cover*2
-  Sealing strip*1
-  Decorative cover on top of the door*1
-  Bottom support cover*4
-  Hinge decorative cover*2
-  Self-tapping screw (ST4.2*13)*14
-  Self-tapping screw (ST4.2*19)*4
-  Self-tapping screw (ST3.9*16)*4
-  Self-tapping screw (ST2.9*11)*8

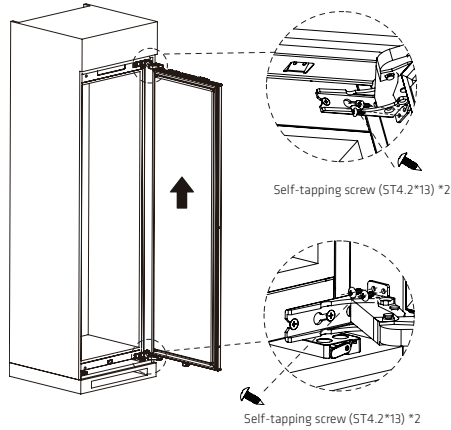
- > Close the refrigerator door, take out the power cable and plug it in the socket or through the cable hole in the cabinet.



- > Slide the refrigerator partway into the cabinet. Open the limit hook at the bottom of the freezer, then adjust the position so that the hinge side touches the cabinet wall, the top baffle flange is against the cabinet front edge, and the support limit hooks rest on the bottom edge of the cabinet. Take care not to pinch the power cable.
- > Fasten the bottom support to the wooden cabinet with ST4.2×19 screws and the top baffle with ST3.9×16 screws. While tightening the screws, make sure the refrigerator remains straight and correctly aligned.

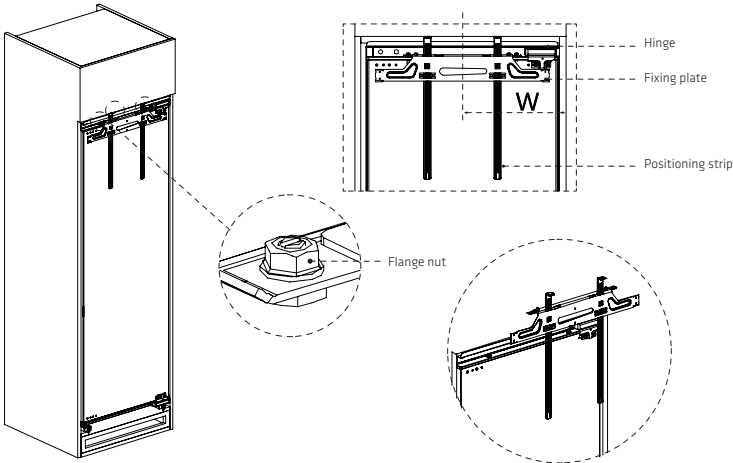


- > Open the refrigerator door and fasten the hinges to the cabinet side panel with ST4.2×13 screws. Keep gently lifting the door while tightening the screws.

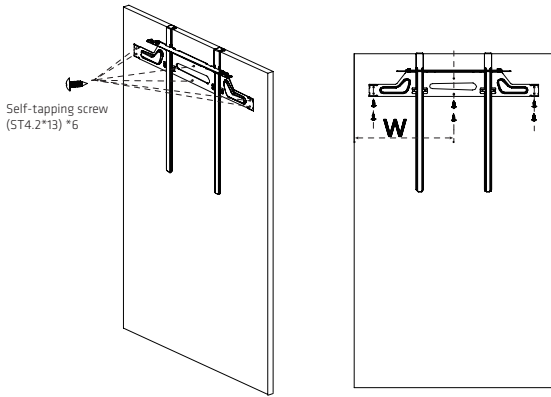


6. Installation of cabinet door.

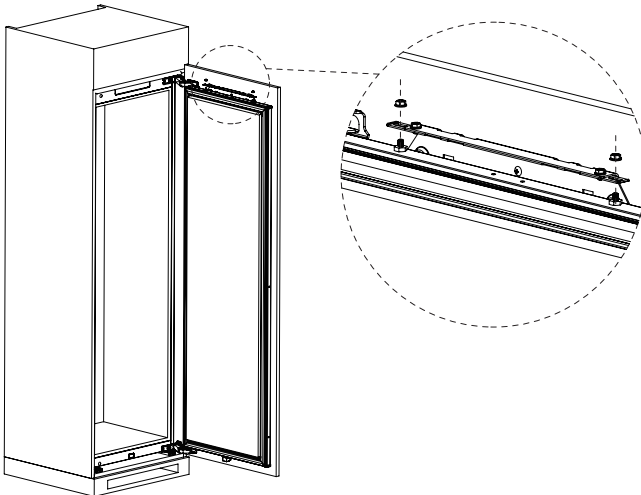
- > Close the refrigerator door. Remove the positioning strip from the freezer door and place it on the top surface of the cabinet. Center the fixing plate assembly on the strip and measure the distance (W) between the middle fixing hole and the side edge of the cabinet. Without moving the positioning strip, loosen the flange nuts, then remove both the fixing plate assembly and the positioning strip.



- > Turn the cabinet door over and place the positioning strip against the top edge of the wooden door so that the fixing plate assembly rests on the back of the door panel. Adjust the fixing plate assembly until the distance between its center line and the side edge of the wooden door is W , then fasten it with ST4.2×13 screws. Remove the positioning strip after installation.

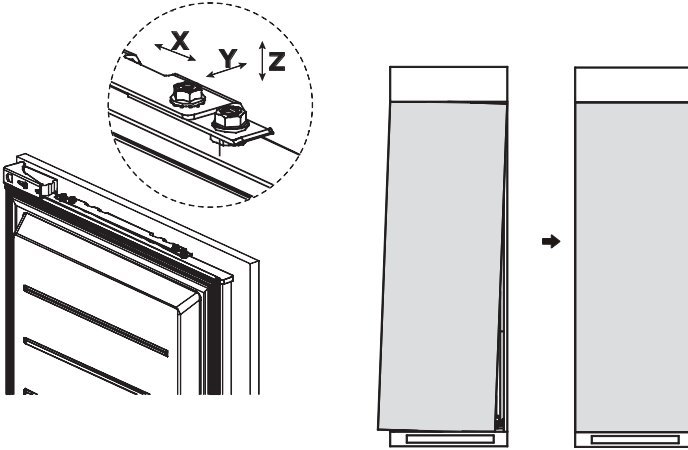


- > Position the cabinet door on the studs of the refrigerator door, then close the door to check how the wooden door aligns with the cabinet. When the closing is satisfactory, tighten the flange nuts to secure it.

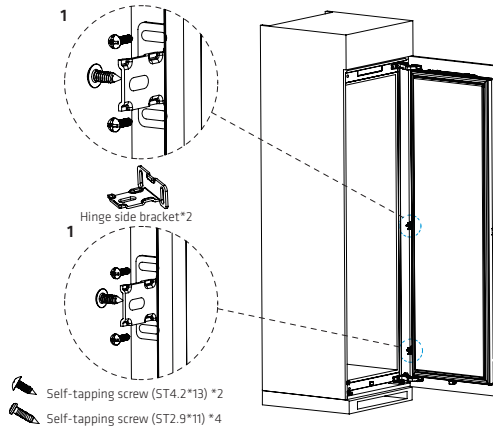


- > If the cabinet door is tilted, adjust cabinet door by following instructions in below:
 - Adjust height (Z) (about 5 mm) by adjusting the nuts on the stud with a wrench;
 - Slightly loosen the flange nuts, move the door leftward and rightward to adjust its position (X) (about 5mm), and fasten the flange nuts after it is adjusted to a proper position;

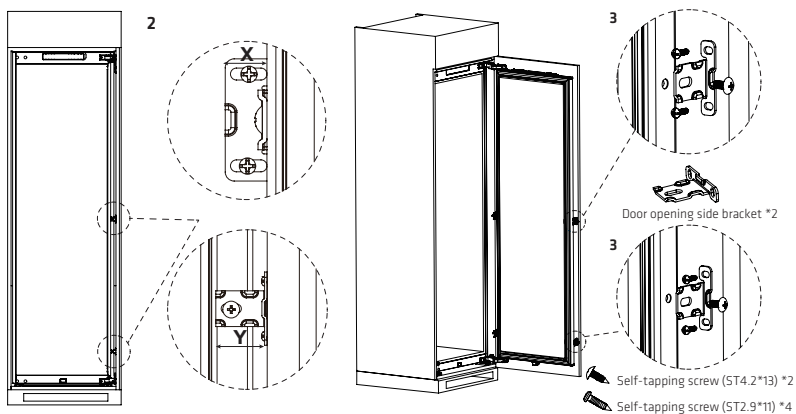
- Slightly loosen the cross recessed hexagon head screws, move the door body back and forth to adjust the front and back position (Y) (about 5mm), and tighten the cross recessed hexagon head screw after it is adjusted to a proper position.



- > Fix refrigerator door to cabinet door with side bracket.
- > Fix hinge side bracket first so that cabinet door can be adjusted to proper position.



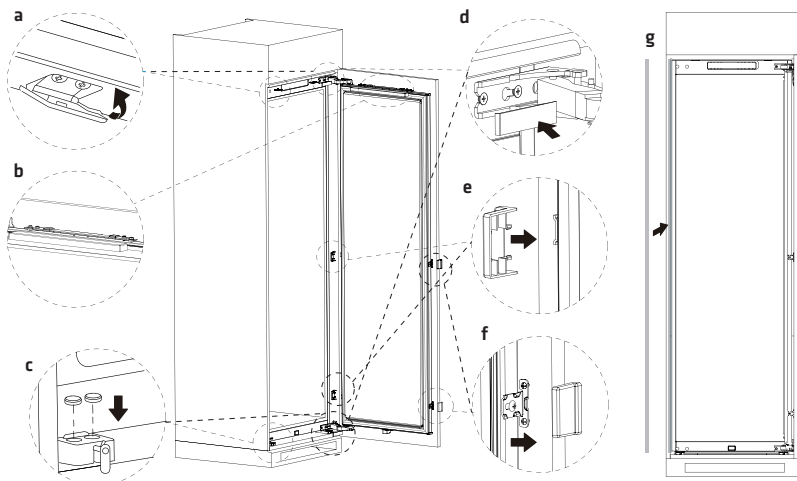
- > If the lower part of cabinet door is tilted, adjust cabinet door by following instructions in below:
 - Slightly fix side bracket screws(ST2.9*11), move the door leftward and rightward to adjust its position (X) (about 5mm), and fasten the flange nuts after it is adjusted to a proper position;
 - Slightly loosen side bracket screws (ST4.2*13), move the door back and forth to adjust the front and back position (Y) (about 5mm), then tighten the screws again after it is adjusted to a proper position.



> After cabinet door is adjusted to a proper position, then fix the door opening side bracket.

7. Closing of installation.

- | | |
|-------------------------------------|--|
| a. Install top baffle cover | b. Install door decorative cover |
| c. Install bottom support cover | d. Install hinge decorative cover |
| e. Install hinge side bracket cover | f. Install door opening side bracket cover |
| g. Install sealing strip | |



ATTENTION

Differences: Due to technical changes and different models, some of the illustrations in this manual may differ from your model.

Changing the light

Any replacement or maintenance of the LED lamps is intended to be made by the manufacturer, its service agent or similar qualified person.

This product contains a light source of energy efficiency class (F).

After connecting the power supply cord (or plug) to the outlet, wait 2 or 3 hours before you put food into the appliance. If you add food before the appliance has cooled completely, your food may spoil.

Moving the appliance

1. Remove all items from the appliance.
2. Pull the power plug out and fix it.
3. Tape parts such as shelves and the door to prevent them from falling off while moving the appliance.
4. Move the appliance with two people carefully. When transporting the appliance over a long distance, keep the appliance upright.

Tips for energy saving

Do not place the appliance near cookers, radiators or other heat sources. If the ambient temperature is high, the compressor will run more frequently and for longer, resulting in increased energy consumption.

Ensure that there is sufficient ventilation at the base of the appliance, on the sides of the appliance and at the back of the appliance.

Please also observe the spacing dimensions in the chapter "Installation".

The arrangement of drawers, shelves and trays as shown in the product overview offers the most efficient use of energy and should be retained as far as possible.

To obtain a larger storage space (e.g. for large refrigerated/frozen goods), the middle drawers and shelves can be removed. The top and bottom drawers and shelves should be removed last if necessary.

An evenly filled compartment contributes to optimal energy use.

Allow warm food to cool before placing it in the compartment. Food that has already cooled down increases energy efficiency.

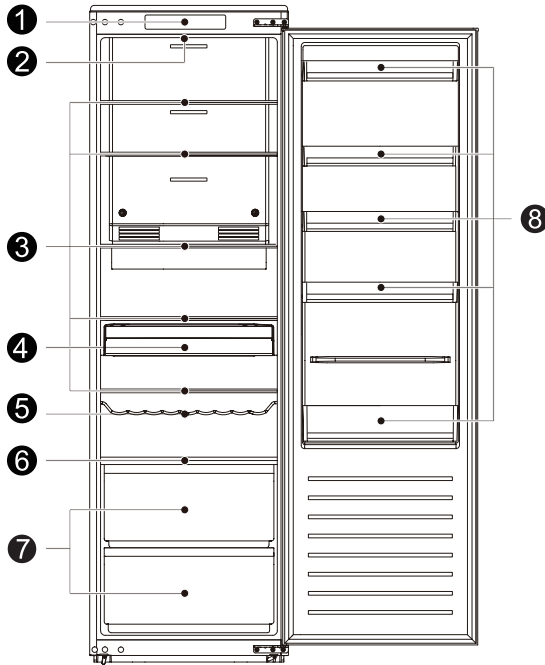
Allow frozen food to defrost in the refrigeration compartment. The coldness of the frozen food reduces the energy consumption in the refrigerator compartment and thus increases the energy efficiency. Open the door only as briefly as necessary to minimise cold loss. Opening the door briefly and closing it properly reduces energy consumption.

Setting the temperature no colder than necessary contributes to optimal energy use.

The door gaskets of your appliance must be perfectly intact so that the doors close properly and energy consumption is not increased unnecessarily.

PRODUCT OVERVIEW

Parts and functions



- | | | | |
|---|---------------------------|---|-------------------------------|
| 1 | Temperature control panel | 5 | Wine rack |
| 2 | LED lighting | 6 | Fruit and vegetable box cover |
| 3 | Shelf | 7 | Fruits and vegetables box |
| 4 | Storage box | 8 | Door tray |

> For the most efficient use of energy, please keep all the internal items such as trays, drawers and shelves on the position supplied by manufacturer.

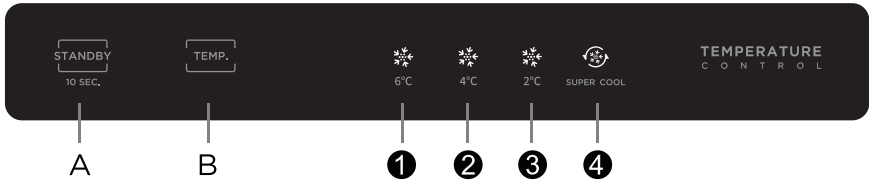
ATTENTION

Differences: Due to technical changes and different models, some of the illustrations in this manual may differ from your model.

OPERATION INSTRUCTIONS

Use and functions

Feature panel



Button

A Standby button

B Temperature setting button

Display screen

1 Setting 1: the setting temperature is **6 °C**

3 Setting 3: the setting temperature is **2 °C**

2 Setting 2: the setting temperature is **4 °C**

4 Setting 4: **Super cool**

Display

When the appliance is powered on for the first time, all display segments light for 3 seconds and a start-up chime sounds, then the display switches to normal operation. At first power-on, the refrigerator is set to level 2, which corresponds to 4 °C.

If a fault occurs, the corresponding fault code is shown on the display in a repeating cycle. When there is no fault, the set temperature of the refrigerator compartment is shown.

When the refrigerator door is opened, the display turns on and goes off about 30 seconds after the door is closed. If the display is off, press any button to wake it up; you can then adjust the settings.

Fault Code	Fault Description
The LED "1" and LED "2" lit	Refrigerator temperature sensor circuit
The LED "1" and LED "3" lit	Refrigerator defrost sensor
The LED "2" and LED "4" lit	Communication failure
The LED "1" and LED "4" lit	Ambient temperature sensor

Lock and unlock

No lock or unlock function.

The setting takes effect 15 seconds after no operation.

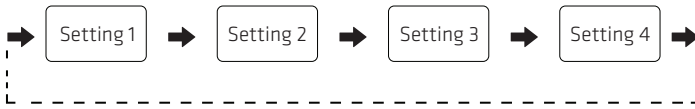
ATTENTION

The actual control panel may differ from model to model.

Gear setting

Every time you press the button, the gear will change once. After setting the temperature, the appliance will start operating with the new setting after 15 s.

Recommended set temperature for refrigerator : 4°C;



Operation of door opening prompt and alarm control

When the refrigerator door is open for 120 seconds, the buzzer will alarm until the refrigerator door is closed, or any key is pressed to cancel the buzzer alarm.

Standby mode

Hold the standby button for 10 seconds to enter the standby mode. The refrigerator stops working and the display goes off. In standby mode, hold the standby button for 10 seconds to restore normal control.

Super cool mode

Mode entry: Under other modes, press the button **"TEMP."** until the icon "❄️" lights up.

Mode exit: Super Cool mode turns off automatically after 360 minutes of operation, or immediately if you press the temperature setting button.

Storing food

Fridge compartment

To reduce moisture and subsequent ice build-up, never put liquid into the fridge compartment in unsealed containers. Frost tends to concentrate in the coolest parts of the evaporator. Storing uncovered liquids results in a more frequent need for defrosting.

Never put warm foods in the fridge compartment. These should first cool down at room temperature and then be placed so as to ensure adequate air circulation in the fridge compartment.

Foods or food containers should not touch the back wall of the fridge because they could freeze to the wall. Avoid opening the refrigerator door more often than necessary.

Fresh meat and cleaned fish (wrapped or in sealed plastic) may be stored in the refrigerator compartment and should be used within 1–2 days.

Unpackaged fruit and vegetables should be stored in the compartment designated for fresh produce.

MAINTENANCE AND CLEANING

CAUTION

Disconnect the appliance from the electrical supply before undertaking any routine maintenance. Allow at least 5 minutes before restarting the appliance, as frequent starting may damage the compressor.

Do not use mechanical devices or other means to accelerate the defrosting process, other than those recommended by the manufacturer.

Do not try to repair, disassemble or modify the appliance by yourself. In case of repair please contact our customer service.

Remove dust from the back of the appliance at least once a year to reduce fire risk and avoid unnecessary energy consumption.

Check the door gasket regularly to make sure there is no debris. Clean the door gasket with a soft cloth dampened with soapy water or diluted detergent.

Clean the interior regularly to prevent odors.

Use a soft cloth or sponge and a solution of 2 tablespoons of baking soda in 1 litre of warm water. Rinse with clean water and wipe dry. After cleaning, leave the door open until the interior is completely dry before reconnecting the power.

For areas that are difficult to clean in the appliance (such as narrow crevices, gaps or corners), it is recommended to wipe them regularly with a soft rag, soft brush, etc. and when necessary, combined with some auxiliary tools (such as thin sticks) to prevent dirt and bacteria from accumulating.

Wipe the outer surface of the product with a soft cloth dampened with soapy water, detergent, etc., and then wipe dry.

Do not use hard brushes, steel wool, wire brushes, abrasive cleaners (such as toothpaste), organic solvents (such as alcohol, acetone, isoamyl acetate, benzene, etc.), boiling water, or acidic or alkaline cleaners. These can damage or deform the surfaces and plastic parts of the appliance.

Do not rinse directly with water or other liquids during cleaning to avoid short circuits or affect electrical insulation after immersion

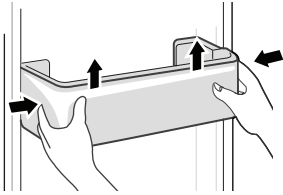
ATTENTION

The appliance shall run continuously once it is started. Generally, the operation of the appliance shall not be interrupted; otherwise the service life may be impaired.



Cleaning of door tray

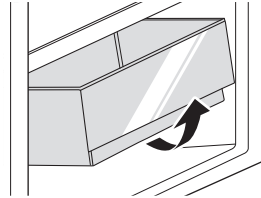
According to the direction arrows in the figure below, use both hands to squeeze the tray, and push it upward to remove it. After washing the tray, you can reinstall it at the desired height.



Cleaning the vegetable drawer

Remove the contents of the drawer. Hold the handle of the vegetable drawer and pull it out completely until it stops.

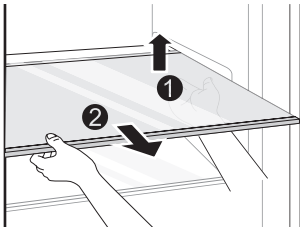
Lift the vegetable drawer up and remove it by pulling it out.



Cleaning of the glass shelves

Because the rear edge of the refrigerator liner has a stop, you must lift the shelves slightly before removing them.

You can then adjust or remove the shelves for cleaning as needed.



ATTENTION

Differences: Due to technical changes and different models, some of the illustrations in this manual may differ from your model.

TROUBLESHOOTING

The following simple issues can be handled by the user. Please call the after-sale service department if the issues are not solved.

Problem	Possible Causes	Solution
The appliance does not work	<ul style="list-style-type: none"> The power supply is not turned on and the plug is not firmly inserted. Low voltage, power failure or part of the circuit tripped. 	<ul style="list-style-type: none"> Insert the power cord plug firmly. Check the power supply at home.
Light not on	<ul style="list-style-type: none"> The appliance is not powered on. The light is broken. 	<ul style="list-style-type: none"> Unplug and re-plug the power cord. Replace the light with a new one by qualified person.
Fruits or vegetables are frozen	<ul style="list-style-type: none"> Has the food been placed at the back of the fridge? The area near the back wall is where the temperatures are coldest. Fruits or vegetables are stored in the Fresh zone. 	<ul style="list-style-type: none"> Not placing food which may freeze easily at the back of the fridge compartment. The Fresh zone is only for meat/fish.
Over-cooling	<ul style="list-style-type: none"> Temperature control is not set correctly. 	<ul style="list-style-type: none"> Set the temperature higher.
Compressor working for a long time	<ul style="list-style-type: none"> High ambient temperature causing long working time. Putting too much food in at one time. Food is put in before it has cooled down. Opening the door too often. The frost layer inside is too thick. 	<ul style="list-style-type: none"> This is normal. Do not put too much food in at one time. Wait until the food has cooled down before putting it in. Do not open the door too often. Need to defrost.
Door does not close properly	<ul style="list-style-type: none"> Door is stuck with objects. Too much food in. Door gasket deformed. 	<ul style="list-style-type: none"> Place the appliance stably. Do not put in too much food. Heat the door gasket, then cool it for restoration (with an electrical drier or hot water for heating).
Outer wall is hot	<ul style="list-style-type: none"> When the appliance is operating, heat is dissipated to the outside through the metal tubes inside the cabinet. Higher ambient temperatures in the summer cause the temperature of the outer wall to rise. 	<ul style="list-style-type: none"> Higher temperature on the outer wall is normal. Increase the heat dissipation space, or put the appliance in a ventilated and cool place.
Cross or vertical beams are hot	<ul style="list-style-type: none"> There are metal tubes inside the beams, and the heat released from the tubes prevents condensation. 	<ul style="list-style-type: none"> This is normal.
Odors	<ul style="list-style-type: none"> Spoiled food. Food with strong odors. The interior compartment is dirty. 	<ul style="list-style-type: none"> Clean and remove any spoiled food. Make sure strong smelling food is wrapped airtight. Clean the interior compartment.
Condensation forms on the outside	<ul style="list-style-type: none"> Condensation may form when the humidity in the room is high. 	<ul style="list-style-type: none"> This is normal. Wipe off the condensation using a dry cloth.
Condensation forms inside the fridge and drawers	<ul style="list-style-type: none"> The fridge maintains a high humidity to keep vegetables and other food items fresh. Humidity is too high in the room and doors have been opened frequently. The door gasket are not tight. 	<ul style="list-style-type: none"> Wipe off the condensation using a dry cloth. Do not open doors as frequently or do not keep them open too long. Check the door gasket, clean or correct position.

Certain sounds can be heard during normal use of the refrigerator, which do not affect its correct operation.

Sounds, which can be easily prevented:

- > Noise caused by the appliance which is not level - adjust the position with the adjustable turn-in front feet. Alternatively, place pads made of soft material under the rear rollers, especially when the appliance is placed on tiles.
- > Touching the adjacent piece of furniture - move the refrigerator away.
- > Creaking of the drawers or shelves - take out and put back the drawer or shelf.
- > Sounds of clinking bottles - move bottles apart.

Sounds heard during normal use are mainly due to operation of the compressor (switching on) and cooling system (thermal expansion and contraction of the radiator caused by flow of the cooling agent).

APPENDIX

Special for new European standard

The ordered parts in the following table can be acquired from Service provider channel.

Ordered part	Provided by	Minimum time required for Provision
Thermostats	Professional maintenance personnel	At least 7 years after the last model is launched on the market
Temperature sensors	Professional maintenance personnel	At least 7 years after the last model is launched on the market
Printed circuit boards	Professional maintenance personnel	At least 7 years after the last model is launched on the market
Light sources	Professional maintenance personnel	At least 7 years after the last model is launched on the market
Door handles	Professional repairers and final users	At least 7 years after the last model is launched on the market
Door hinges	Professional repairers and final users	At least 7 years after the last model is launched on the market
Trays	Professional repairers and final users	At least 7 years after the last model is launched on the market
Baskets	Professional repairers and final users	At least 7 years after the last model is launched on the market
Door gaskets	Professional repairers and final users	At least 10 years after the last model is launched on the market

ATTENTION

The model information in the product database, as well as the model identifier, can be obtained through a weblink scanned by a QR code, if any, on the energy efficiency label of the product.

For more information about the energy efficiency of the appliance, visit <https://eprel.ec.europa.eu> and search using the model name. The model name can be found on the rating label of the appliance.

Specification:

Model: PORFI17DDN

Climate Class: SN/N/ST/T

Rated Voltage: 220-240V~

Rated Frequency: 50 Hz

Refrigerant: R600a (37 g)

Noise: 35 dB (B class)

Power International AS,
PO Box 523, N-1471 Lørenskog, Norway

Power Norge:
<https://www.power.no/kundeservice/>
T: 21 00 40 00

Power Danmark:
<https://www.power.dk/kundeservice/>
T: 70 33 80 80

Punkt 1 Danmark:
<https://www.punkt1.dk/kundeservice/>
T: 70 70 17 07





Power Finland:
<https://www.power.fi/tuki/asiakaspalvelu/>
T: 0305 0305

Power Sverige:
<https://www.power.se/kundeservice/>
T: 08 517 66 000

Les følgende sikkerhetsråd før du slår på apparatet for første gang!

- > Dette apparatet er beregnet for bruk i husholdninger og lignende bruksområder, slik som ansattes kjøkkenområder i butikker, kontorer og andre arbeidsmiljøer, gårder og av kunder i hoteller, moteller og andre boligmiljøer, overnattingsmiljøer, catering og lignende bruksområder utenfor detaljhandel.
- > Dette apparatet er ikke ment for bruk av personer (inkludert barn) med reduserte fysiske, sensoriske eller mentale evner, eller mangel på erfaring og kunnskap, med mindre de har fått tilsyn eller instruksjoner om bruk av apparatet av en person som er ansvarlig for deres sikkerhet.

Forklaring av betegnelser/symboler

	FARE Dette symbolet indikerer at det er fare for liv og helse til personer på grunn av ekstremt brannfarlig gass.
	ADVARSEL Signalordet indikerer en fare med middels risiko som, hvis den ikke unngås, kan føre til død eller alvorlig skade.
	FORSIKTIG Signalordet indikerer en fare med lav grad av risiko som, hvis den ikke unngås, kan føre til mindre eller moderate skader.
	MERK Signalordet indikerer viktig informasjon (f.eks. skade på eiendom), men ikke fare.

VIKTIG: Vær spesielt oppmerksom på meldinger som inneholder ordene **FARE**, **ADVARSEL** eller **FORSIKTIG**. Disse ordene brukes for å varsle deg om en potensiell fare som kan påføre deg og andre alvorlig skade. Instruksjonene vil fortelle deg hvordan du kan redusere sjansen for skade og fortelle deg hva som kan skje hvis instruksjonene ikke følges.

MERK: Disse bruksanvisningene er generelle. Dette betyr at enkelte funksjoner gjelder for kjøleskapet ditt, mens andre ikke gjør det.

Vi jobber kontinuerlig med å videreutvikle og forbedre apparattypene og -modellene våre. Derfor forbeholder vi oss retten til å endre designen, utstyret og tilbehøret til alle typer og modeller uten forvarsel.

VIKTIGE SIKKERHETSINSTRUKSER

LES OG LAGRE DISSE INSTRUKSJONENE!



ADVARSEL: Brannfare / brennbart materiale

Kjølemiddel og cyklopentanskummaterialer som brukes til apparatet er brannfarlige. Når apparatet avhendes, må det derfor holdes unna enhver brannkilde og gjenvinnes av et spesialisert gjenvinningsfirma som ikke avhender det ved forbrenning, for å forhindre skade på miljøet eller annen skade.

ADVARSEL

Generell sikkerhet

- > Barn må holdes under oppsyn for å forhindre at de leker med utstyret.
 - > Dersom strømledningen er skadet, må den erstattes av produsenten, serviceleverandøren eller tilsvarende kvalifiserte personer for å unngå fare.
 - > Ikke oppbevar eksplosive stoffer som spraybokser med brennbart drivmiddel i dette apparatet.
 - > Apparatet må kobles fra før det utføres vedlikehold.
 - > **ADVARSEL:** Sørg for at ventilasjonsåpningene i apparatets kabinett eller i den innebygde strukturen er fri for hindringer.
 - > **ADVARSEL:** Ikke bruk mekaniske enheter eller andre midler for å akselerere avrimingsprosessen, annet enn de som er anbefalt av produsenten.
 - > **ADVARSEL:** Ikke skad kjølevæskesystemet.
 - > **ADVARSEL:** Ikke bruk elektriske apparater i matoppbevaringsrommet, med mindre de er av en type som anbefales av produsenten.
 - > **ADVARSEL:** Forlat kjøleskapet i henhold til lokale reguleringer for bruk av brennbar blåsende gass og kjølemiddel.
- > **ADVARSEL:** Ved plassering av apparatet, må det sikres at strømledningen ikke sitter fast eller skades.
 - > **ADVARSEL:** Ikke plasser mange skjøtekontakter eller skjøteledninger bak apparatet.
 - > Ikke bruk skjøteledninger eller ujordede (to plugg) adaptere.
 - > For å unngå fare på grunn av ustabilitet til apparatet, må det festes i henhold til instruksjonene.
 - > Kjøleskapet må kobles fra strømkilden før du prøver å installere tilbehøret. Pass på at strømkabelen ikke kommer i klem i kjøleskapet. Ikke trakk på strømkabelen.

FORSIKTIG

Daglig bruk

- > Ikke trekk i strømledningen når du trekker ut støpselet til kjøleskapet. Ta godt tak i støpselet og trekk det direkte ut av stikkkontakten.
- > For å sikre sikker bruk, må du ikke skade strømledningen eller bruke strømledningen dersom den er skadet eller slitt.
- > Bruk en dedikert stikkontakt. Den skal ikke deles med andre elektriske apparater.
- > Støpselet bør være godt i kontakt med stikkkontakten, ellers kan det oppstå brann.
- > Sørg for at jordingsselektroden til strømuttaket er utstyrt med pålitelig jording.
- > Hvis du lukter gass eller andre brennbare gasser, slå av gassforsyningsventilen umiddelbart, og åpne dører og vinduer for å ventilere området.
- > Ved en gasslekkasje må du ikke trekke ut støpselet til kjøleskapet eller betjene noen elektriske brytere; gnisten kan antenne gassen og forårsake brann.
- > Bruk ikke elektriske apparater oppå apparatet, med mindre de er av en type som produsenten har anbefalt.
- > Mellomrommene mellom kjøleskapets dører og hoveddel er små. Unngå å plassere hånden i disse, ellers kan du klemme fingeren. Vær forsiktig når du lukker kjøleskapsdøren for å unngå fallende gjenstander.
- > Ikke la barn komme inn i eller klatre opp i kjøleskapet; ellers kan det oppstå kvelningsmulighet eller fallskader.
- > Ikke plasser tunge gjenstander på toppen av kjøleskapet med tanke på at disse kan falle ned når ved lukking eller åpning døren, noe som kan forårsake utilsiktede skader.
- > Ikke legg brennbare, eksplosive, flyktige eller korroderende materialer i apparatet, for å unngå skader på kjøleskapet og brann.
- > Ikke plasser brennbare gjenstander i nærheten av kjøleskapet for å unngå brann.
- > Kjøleskapet er beregnet for husholdningsbruk, for eksempel oppbevaring av matvarer. Det skal ikke brukes til andre formål, for eksempel oppbevaring av blod, legemidler, biologiske produkter osv.

ADVARSEL

For EU-standard:





Dette apparatet kan brukes av barn fra 8 år og over og personer med redusert fysisk, sensorisk og mentale evner eller som mangler erfaring og kunnskap, så lenge de har blitt gitt overvåking og instruksjon om bruken av apparatet på en trygg måte og forstår farene det kan innebære. Barn skal ikke leke med apparatet. Rengjøring og brukervedlikehold skal ikke utføres av barn, med mindre de er under oppsyn.

For å unngå kontaminering av mat, må du overholde følgende instruksjoner:

- Åpning av døren over lengre perioder kan føre til en betydelig økning av temperaturen i apparatets rom.
- Rengjør jevnlig overflater som kan komme i kontakt med mat og tilgjengelige dreneringssystemer.
- Rengjør vanntanker hvis de ikke har vært brukt på 48 timer. Skyll vannsystemet koblet til en vannforsyning hvis vannet ikke har blitt tappet på 5 dager. **(Merknad 1)(*)**
- Oppbevar rått kjøtt og fisk i egnede beholdere i kjøleskapet, slik at maten ikke kommer i kontakt med eller drypper på annen mat.
- Fryserkammer med to stjerner er egnet for oppbevaring av forhåndsfroset mat, oppbevaring eller tilberedning av iskrem og til å lage isbiter. **(Merknad 2)(*)**
- Kammer med 1, 2 og 3 stjerner er ikke egnet for frysing av fersk mat. **(Merknad 3)(*)**
- For apparater som ikke har et firestjerners rom, er ikke dette kjøleapparatet egnet for å fryse mat. **(Merknad 4)(*)**
- Hvis kjøleapparatet blir stående tomt i lengre perioder, slås det av, tines, rengjøres og tørkes. La døren stå åpen for å unngå muggutvikling inne i apparatet.

Merknad 1, 2, 3, 4: Bekreft om dette er relevant basert på typen rom i produktet ditt.

(*): Denne funksjonen varierer avhengig av hvilken modell som er kjøpt.

-  «4 stjerner»-symbol: Fryserdelen er på -18 °C eller kaldere, og det er mulig å hurtigfryse en viss mengde mat.
-  «3 stjerner»-symbol: Fryserkammer ved -18 °C kaldere.
-  «2 stjerner»-symbol: Fryserkammer ved -12 °C eller kaldere.
-  «1 stjerne»-symbol: Frysekammer med måltemperatur og oppbevaringsforhold på -6 °C.

FORSIKTIG

Dette produktet er ikke anbefalt for bruk med stikkontakter eller sikringer som har AFCI/GFCI-funksjon, da det kan føre til falske utløsninger.

1. Det er ingen sikkerhetsrisiko forbundet med utløsning.
2. Hvis utløsningen fortsetter å finne sted, anbefales det å erstatte stikkkontakten eller sikringen med en som ikke har AFCI/GFCI-funksjon.

ADVARSEL

Fare for fastklemming av barn. Før du avhender det gamle kjøleskapet:

- > Ta av dørene.
- > La hyllene stå på plass, slik at barn ikke enkelt kan klatre inn.

BESKYTTELSE AV MILJØET

Avhending av gamle elektriske apparater på en miljøvennlig måte



Dette symbolet for søppeldunk med kryss over indikerer at elektriske og elektroniske produkter (EE) skal avhendes separat fra husholdningsavfall.

Gamle elektriske produkter kan inneholde farlige stoffer, så ved å avhende det gamle apparatet på riktig måte bidrar du til å forhindre skade på miljø og helse. Det gamle apparatet ditt kan inneholde gjenbrukbare deler som kan brukes til å reparere andre produkter, og andre verdifulle materialer som kan resirkuleres for å bevare begrensede ressurser.

Emballasjeinformasjon



Emballasjematerialene til produktet er produsert av resirkulerbare materialer i samsvar med våre nasjonale miljøforskrifter. Ikke avhende emballasjen sammen med husholdningsavfall eller annet avfall. Ta dem til innsamlingsstedene for emballasjemateriale som er utpekt av lokale myndigheter.

FORSIKTIG

Kjølemiddel og skummateriale av cyclopentan som brukes i kjøleskap, er brennbar. Når kjøleskapet avhendes, må det derfor holdes unna enhver brannkilde og gjenvinnes av et spesialisert gjenvinningsfirma som ikke avhender det ved forbrenning, for å forhindre skade på miljøet eller annen skade.

INSTALLASJONSINSTRUKSJONER

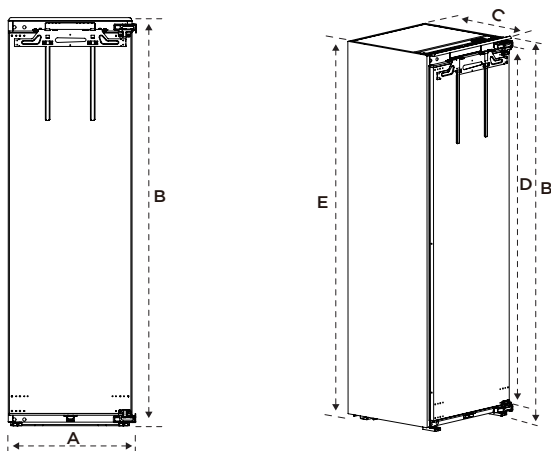
Før første bruk

Fjern den utvendige og innvendige pakningen, tørk av utsiden grundig med en myk, tørr klut og innsiden med en våt, lunken klut.

Før du kobler kjøleskapet til strømforsyningen, må du kontrollere at spenningen som er angitt på typeskiltet til apparatet samsvarer med spenningen i hjemmet ditt. En annen spenning kan skade apparatet.

Apparatet må være jordet. Produsenten er ikke ansvarlig for skader som kan oppstå som følge av bruk uten jording.

Diagram for plassbehov



A	B	C	D	E
557	1785	550	1676	1770

Merknad: Alle mål i mm

Omgivelsestemperatur

Avhengig av klimaklassen er dette kjøleskapet beregnet på bruk i de omgivelsestemperaturene som er angitt i tabellen til høyre.

Det kan hende produktet ikke fungerer som det skal hvis det brukes utenfor det angitte temperaturområdet.

Du finner klimaklassen på produktets etikett.

Klimaklasse	Omgivelsestemperatur
SN	+10 °C til +32 °C
N	+16 °C til +32 °C
ST	+16 °C til +38 °C
T	+16 °C til +43 °C

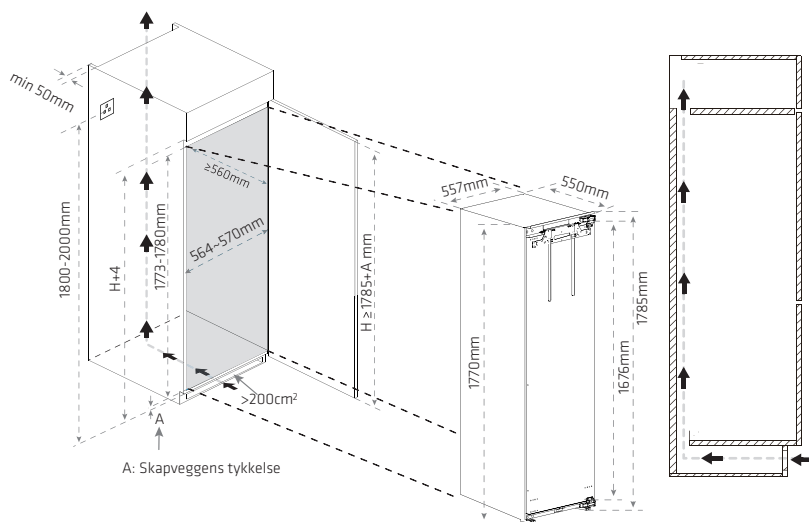
Dersom du er i tvil om montering, bes du kontakte leverandøren, vår kundeservice eller nærmeste autoriserte servicesenter.



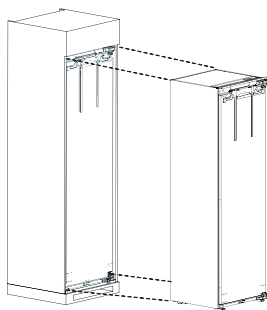
Kjøleytelsen og strømforbruket til kjøleskapet kan påvirkes av omgivelsestemperaturen, hvor ofte døren åpnes og plasseringen til kjøleskapet. Vi anbefaler å justere temperaturinnstillingene etter behov.

Installasjon i skap

Krav til skapstørrelse. (Listene og baksiden til skapet må utstyres med en kanal for varmespredning.)

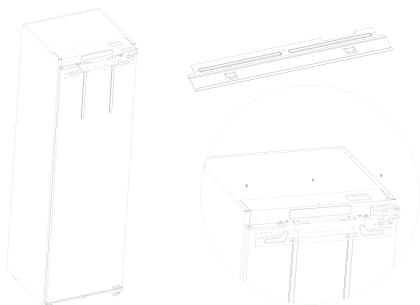


Kjøleskapet skal installeres slik i skapet:



Deksel til toppbrakett

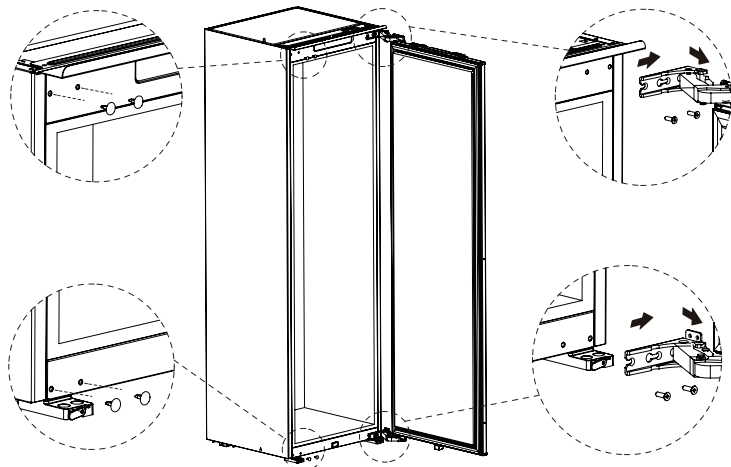
Ta ut toppbraketten og fjern emballasjeposen. Monter toppbraketten i posisjonen som vises, og fest den med tre skruer.



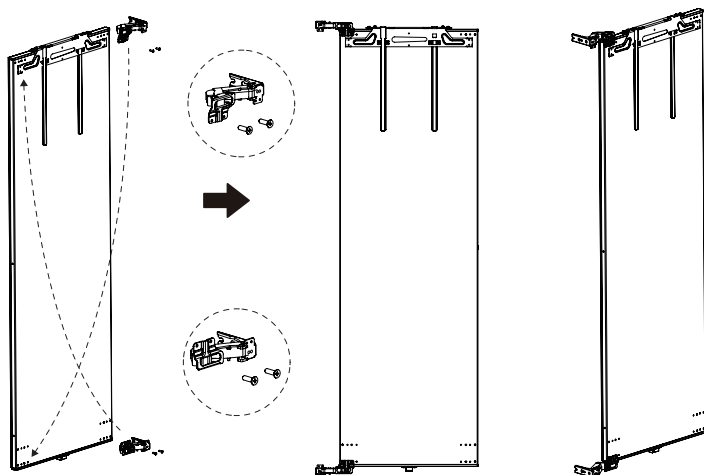
Reversering av dører

Kjøleskapsdøren åpnes på høyre side som standard. Hvis du vil bytte til venstre side, kan du følge disse trinnene:

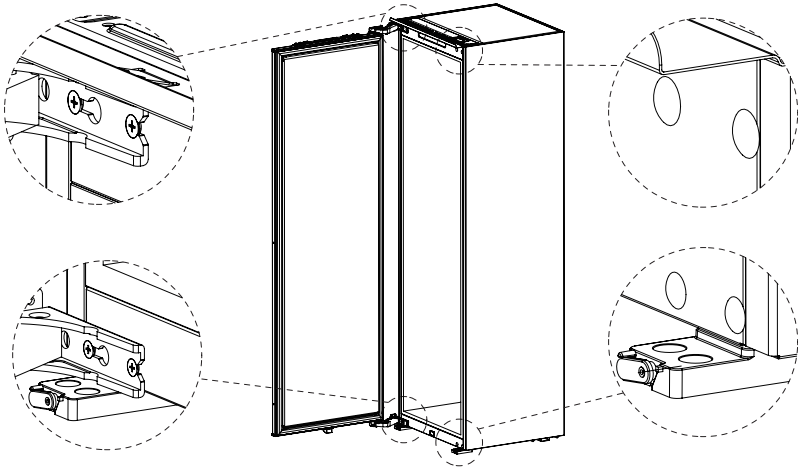
1. Åpne døren og trekk ut pinnene av de øvre bjelkene og nedre bjelkene.
2. Fjern hengselskruene og ta døren forsiktig av, siden den er tung.



3. Fjern de øvre og nedre hengslene til døren, og fest så hengslene på døren etter å ha snudd posisjonene.



4. Monter døren på kabinettet igjen og fest med skruer. Sett så inn pinnene i hengelskruehullet på høyre side. Fullført sning av dør.



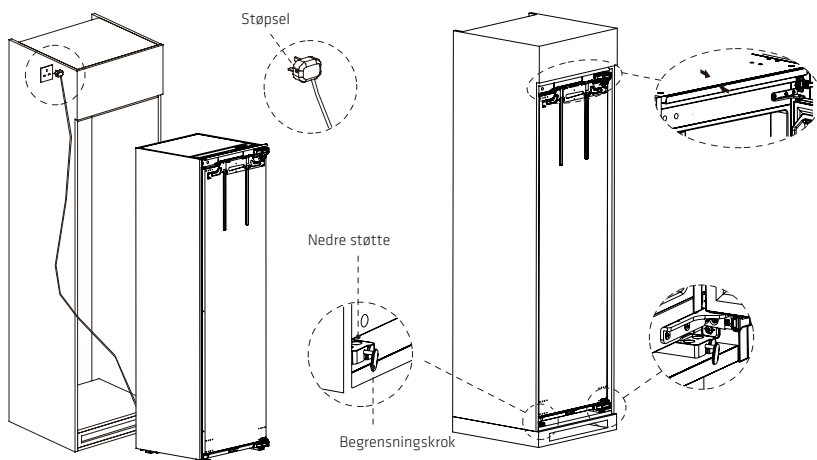
5. Plassere kjøleskapet inn i skapet.

- > Pakk ut kjøleskapet og ta ut installasjonstilbehøret fra kjøleskapets dør.

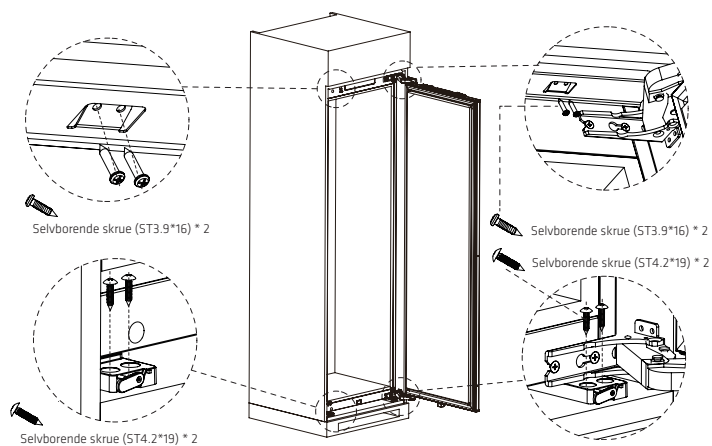


-  Brakett på dørens åpningsside * 2
-  Brakettdeksel på dørens åpningsside * 2
-  Brakett til hengelsiden * 2
-  Brakettdeksel til hengelsiden * 2
-  Deksel til øvre brakett * 2
-  Pakningsstrimmel * 1
-  Pynthedeksel til toppen av døren * 1
-  Deksel til nedre støtte * 4
-  Pynthedeksel til hengsel * 2
-  Selvborende skruer (ST4.2*13) * 14
-  Selvborende skruer (ST4.2*19) * 4
-  Selvborende skruer (ST3.9*16) * 4
-  Selvborende skruer (ST2.9*11) * 8

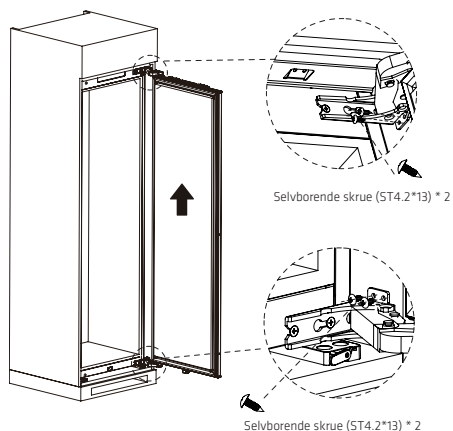
- > Lukk kjøleskapets dør, ta ut strømledningen og sett den i stikkkontakten eller stikk den gjennom en åpning i skapet.



- > Når kjøleskapet er flyttet et stykke inn i skapet, åpne grensekroken på den nedre delen av kjøleskapet, juster posisjonen til kjøleskapet slik at det er inntil skapet på hengselsiden av kjøleskapet og flensen til toppbraketten er i kontakt med skapet, og begrensingskroken hektes på den nedre kanten av skapet. Vær forsiktig for å unngå å klemme strømledningen mens du holder på.
- > Fest den nedre støtten til skapet med ST4.2*19 skruer og fest den øvre braketten til skapet med ST3.9*16 skruer. Kontroller at kjøleskapet ikke har noen skjevheter under festingen.

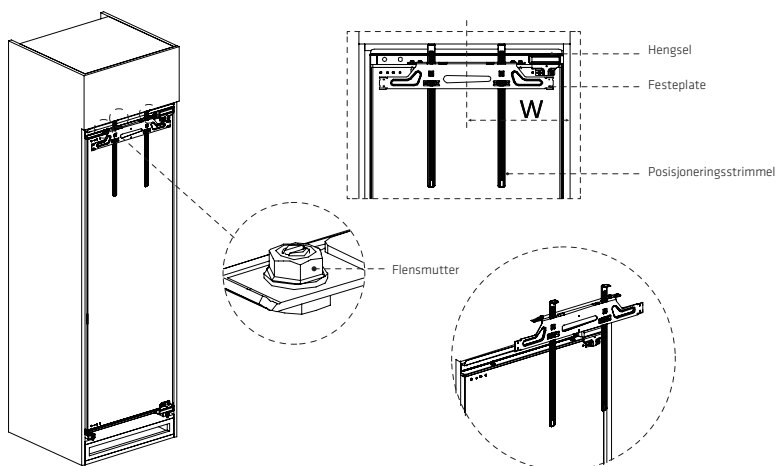


- > Åpne kjøleskapets dør og fest hengslene til skapets sidepanel med ST4.2*13 skruer. Fortsett å holde døren oppe mens skruene skrues inn.



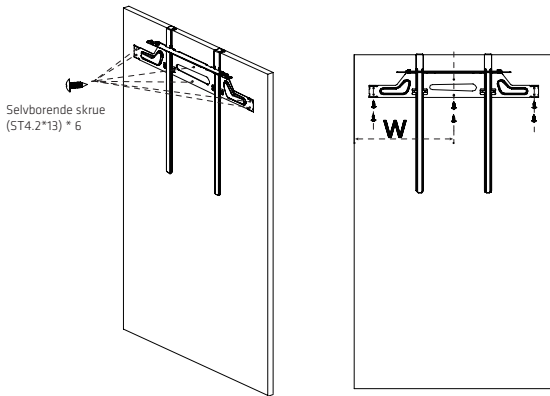
6. Montere skapdøren.

- > Lukk døren til kjøleskapet, ta ut posisjoneringsstrimmelen på kjøleskapets dør, og fest den til den øvre delen av skapet. Juster festeplatesystemet for å sentrere det, og mål avstanden (W) mellom midten av det midtre festeområdet og sidekanten til skapet. Hold posisjoneringsklipsen uendret, løsne flensmutteren til festeplatesystemet og fjern festeplatesystemet og posisjoneringsstrimmelen.

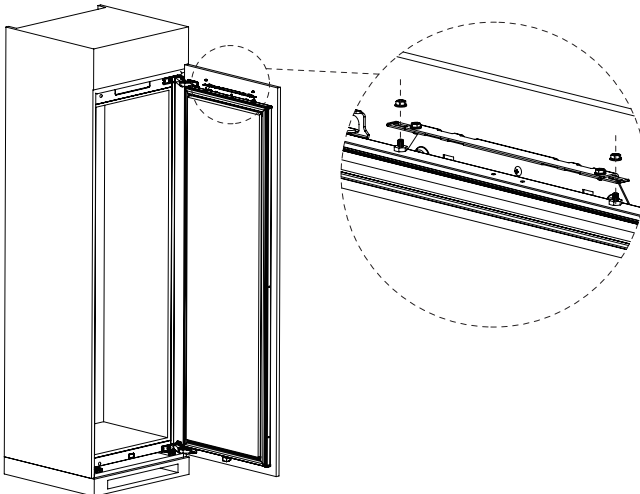


- > Snu skapdøren, og la posisjoneringsstrimmelen feste seg til den øvre enden av tredøren, slik at festeplatesystemet festes til baksiden av skapdøren.

Juster festeplatesystemet til avstanden mellom midtlinjen dets og sidekanten til tredøren er W, og fest det så med ST4.2*13 skruer. Fjern posisjoneringsstrimmelen etter montering.

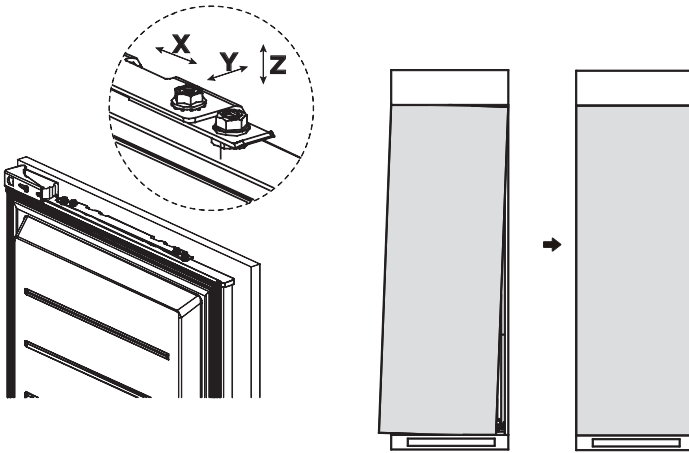


- > Plasser skapdøren på kjøleskapsdørens bolt, og lukk så døren for å sjekke festet mellom tredøren og skapet, og fest den med flensmuttere etter at lukkefunksjonen er kontrollert.

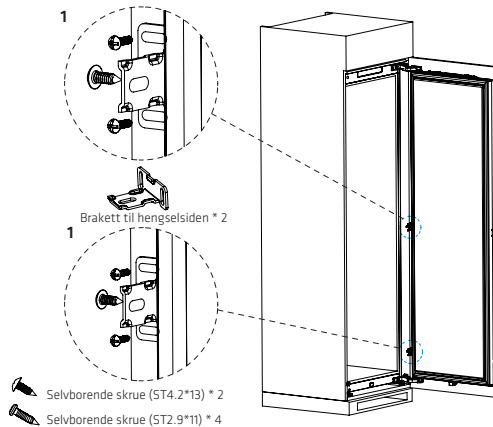


- > Hvis skapdøren er skråstilt, justerer du skapdøren ved å følge instruksjonene nedenfor:
 - Juster høyden (Z) (omtrent 5 mm) ved å justere mutterne på boltene med en skiftenøkkel.
 - Løse flensmutterne litt, beveg døren mot venstre og høyre for å justere posisjonen (X) (omtrent 5 mm), og fest flensmutterne etter at den er justert til riktig posisjon.

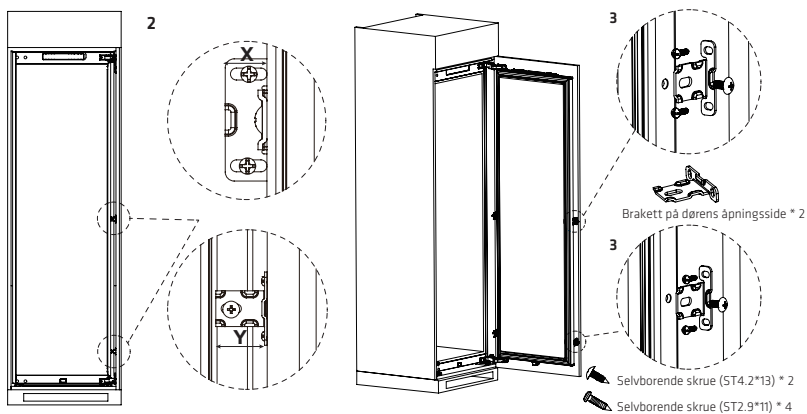
- Løsne sekskantskruene litt, beveg døren frem og tilbake for å justere front- og bakposisjonen (Y) (omtrent 5 mm), og stram så sekskantskruene til på nytt etter at den er justert til riktig posisjon.



- > Fest kjøleskapsdøren til skapdøren med sidebraketten.
- > Fest braketten på hengselsiden først, slik at skapdøren kan justeres til riktig posisjon.



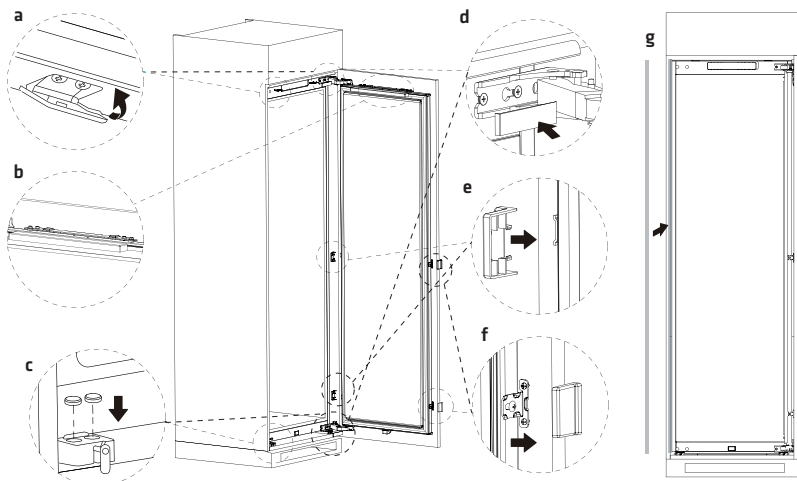
- > Hvis den nedre delen av skapdøren er skråstilt, justerer du skapdøren ved å følge instruksjonene nedenfor:
 - Skru til sidebrakett-skrue litt (ST2.9*11), beveg døren mot venstre og høyre for å justere posisjonen (X) (omtrent 5 mm), og fest flensmutterne etter at den er justert til riktig posisjon.
 - Løsne sidebrakett-skrue litt (ST4.2*13), beveg døren frem og tilbake for å justere front- og bakposisjonen (Y) (omtrent 5 mm), og stram så skrue til på nytt etter at den er justert til riktig posisjon.



> Når skapdøren er justert til riktig posisjon, fest braketten på dørens åpningsside.

7. Fullfør installasjonen.

- | | |
|--|---|
| <p>a. Monter deksel på øvre brakett</p> <p>c. Monter nedre støttedeksel</p> <p>e. Monter brakettdeksel på hengselsiden</p> <p>g. Monter pakningsstrimmel</p> | <p>b. Monter dekorativt dørdeksel</p> <p>d. Monter pyntedeksel til hengsel</p> <p>f. Monter brakettdeksel på åpningssiden</p> |
|--|---|



NO



Forskjeller: På grunn av tekniske endringer og forskjellige modeller, kan noen av illustrasjonene i denne håndboken avvike fra din modell.

Bytte lyset

Eventuell utskifting eller vedlikehold av LED-lampene er ment å utføres av produsenten, deres serviceagent eller lignende kvalifisert person.

Dette produktet inneholder en lyskilde med energiklasse (F).

Etter å ha koblet strømledningen (eller støpselet) til stikkkontakten, venter du 2 til 3 timer før du plasserer mat i apparatet. Hvis du plasserer mat før apparatet er helt avkjølt, kan maten bli ødelagt.

Flytte på apparatet

1. Fjern alle gjenstander fra apparatet.
2. Trekk ut stikkkontakten og fest den.
3. Teip løser deler som hyller og døren for å forhindre at de faller av mens apparatet flyttes.
4. Flytt apparatet forsiktig med to personer. Hold apparatet oppreist når du transporterer apparatet over en lang avstand.

Tips for energisparing

Ikke plasser apparatet i nærheten av komfyrer, radiatorer eller andre varmekilder. Hvis omgivelsestemperaturen er høy går kompressoren oftere og lenger, noe som gir økt energiforbruk. Sørg for at det er tilstrekkelig ventilasjon i bunnen av apparatet, på sidene av apparatet og på baksiden av apparatet.

Vær også oppmerksom på avstandsmålene i kapitlet «Installasjon».

Oppsettet av skuffer, hyller og brett som vist i produktoversikten gir mest mulig effektiv energibruk og bør beholdes så langt det er mulig.

Hvis du vil ha mer lagringsplass (f.eks. til store gjenstander), kan de midtre skuffene og hyllene fjernes. Øvre og nederste skuffer og hyller bør fjernes sist hvis nødvendig.

Et jevnt fylt apparat gir optimalt energiforbruk. La varm mat kjøle seg ned før du legger den inn i apparatet. Mat som allerede er avkjølt øker energieffektiviteten.

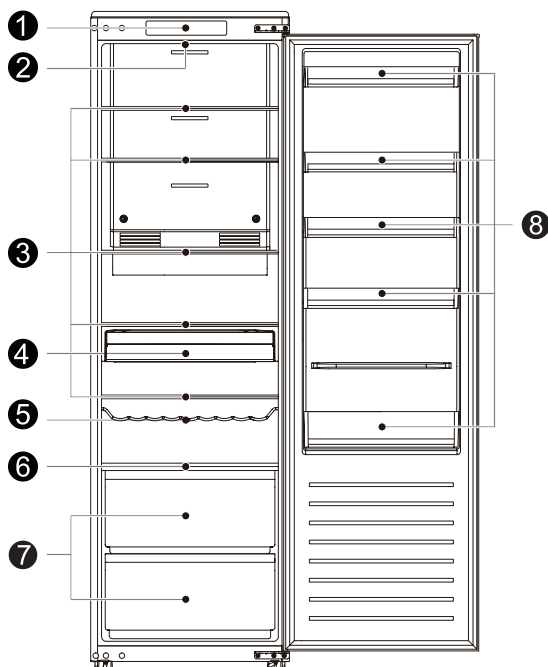
La frosne mat tine i kjølekammeret. Kulden på den frosne maten reduserer energiforbruket i kjølerommet og øker dermed energieffektiviteten. Åpne døren bare så kort som nødvendig for å minimere kildetapet. Kort åpning av døren og lukking på riktig måte reduserer energiforbruket.

Ikke still temperaturen kaldere enn nødvendig, det bidrar til optimal energibruk.

Dørpakningene til apparatet ditt må være helt intakte, slik at dørene lukkes ordentlig og energiforbruket ikke økes unødvendig.

OVERSIKT OVER PRODUKTET

Deler og funksjoner



- 1 Temperaturkontrollpanel
- 2 LED-lys
- 3 Hylle
- 4 Lagringsboks

- 5 Vinstativ
- 6 Deksel til frukt- og grønnsaksboks
- 7 Frukt- og grønnsaksboks
- 8 Dørbrett

> For å bruke energien mest mulig effektivt skal alle interne deler som brett, skuffer og hyller være plassert slik produsenten plasserte dem.

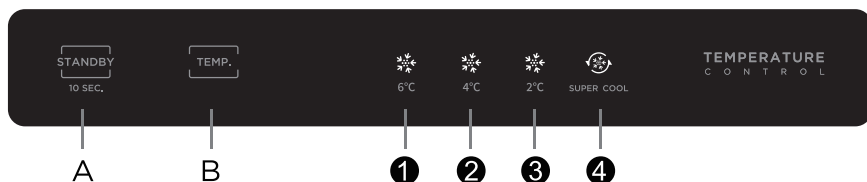


Forskjeller: På grunn av tekniske endringer og forskjellige modeller, kan noen av illustrasjonene i denne håndboken avvike fra din modell.

BRUKSINSTRUKSJONER

Bruk og funksjoner

Funksjonspanel



Knapp

A Standby-knapp

B Temperaturinnstillingsknapp

Skjerm

1 Innstilling 1: Den innstilte temperaturen er **6 °C**

3 Innstilling 3: Den innstilte temperaturen er **2 °C**

2 Innstilling 2: Den innstilte temperaturen er **4 °C**

4 Innstilling 4: **Superkjøling**

Skjerm

Første gang du slår på apparatet, lyser hele displayet opp i tre sekunder og det høres en oppstartslyd. Deretter starter displayet normal funksjonalitet. (Fryserens temperaturinnstilling er satt til innstilling 2, altså er temperaturen satt til **4 °C** første gang det slås på.

Viser feilkoden når det finnes en feil (vises i syklus). Viser den innstilte temperaturen i kjøledelen når det ikke er noen problemer.

Når kjøleskapsdøren er åpen, er displaytavlen tent. Den slås av etter 30 sekunder når døren er lukket. Hvis displaytavlen er av, trykk på hvilken som helst en knapp, så lyser den opp og kan betjenes.

Feilkode	Beskrivelse av feil
LED «1» og LED «2» tent	Sensorkrets for kjøletemperatur
LED «1» og LED «3» tent	Avrimingssensor for kjøleskap
LED «2» og LED «4» tent	Kommunikasjonssvikt
LED «1» og LED «4» tent	Sensor for omgivelsestemperatur

Låse og låse opp

Ingen låse- eller opplåsningsfunksjon.

Innstillingen trer i kraft etter 15 sekunder uten operasjoner.



Kontrollpanelet kan variere fra modell til modell.

Innstilling:

Hver gang du trykker på knappen, endres innstillingen én gang. Kjøleskapet kjører basert på den innstilte verdien 15 sekunder etter at innstillingen er utført.

Anbefalt temperaturinnstilling: kjøleskapsrom 4 °C;



Bruk av døråpningsmelding og alarmkontroll

Når kjøleskapsdøren forblir åpen i 120 sekunder, avgis en alarm helt til kjøleskapsdøren lukkes eller en knapp trykkes på for å avbryte alarmen.

Standby-modus

Hold inne standbyknappen i ti sekunder for å starte standbymodus. Kjøleskapsdøren slutter å fungere, og skapet slås av. I standby-modus: Hold inne standbyknappen i ti sekunder for å gjenopprette normal funksjon.

Superkjølemodus

Starte modus: I andre moduser: trykk på knappen «TEMP.» til ikonet «» tennes.

Avslutte modus: I superkjølemodus avsluttes denne modusen automatisk etter å ha kjørt i 360 minutter eller når temperaturinnstillingsknappen trykkes inn.

Matoppbevaring

Kjølekammer

For å redusere fuktighet og påfølgende oppbygging av is, må ikke væske plasseres i kjøleskapet i uforseglede beholdere. Frost har en tendens til å konsentrere seg i de kjøligste delene av fordampere. Oppbevaring av udekket væske resulterer i et hyppigere behov for tining.

Plasser aldri varm mat i kjøleskapet. Den må først avkjøles til romtemperatur, og deretter plasseres slik at det sikres tilstrekkelig luftsirkulasjon i kjøleskapskammeret.

Mat eller matbeholdere bør ikke berøre bakveggen på kjøleskapet siden de kan fryse til veggen. Ikke fortsett å åpne døren til kjøleskapet regelmessig.

Kjøtt og ren fisk (pakket i pakke eller plastfolie) kan legges i kjøleskapet, og må brukes innen 1–2 dager.

Frukt og grønnsaker uten emballasje kan plasseres i delen som er beregnet for fersk frukt og grønnsaker.

VEDLIKEHOLD OG RENGJØRING

FORSIKTIG

Koble apparatet fra strømforsyningen før du utfører rutinemessig vedlikehold. Vent minst 5 minutter før du starter apparatet på nytt, siden hyppig start kan skade kompressoren.

Ikke bruk mekaniske enheter eller andre midler for å akselerere avrimingsprosessen, annet enn de som er anbefalt av produsenten.

Ikke prøv å reparere, demontere eller modifisere apparatet selv. Kontakt vår kundeservice ved reparasjon.

Tørk bort støvet fra baksiden av apparatet minst én gang i året for å unngå brannfare og redusere strømforbruket.

Kontroller dørpakningen regelmessig for å sikre at det ikke er noe rusk. Rengjør dørpakningen med en myk klut fuktet med såpevann eller fortynnet vaskemiddel.

Innsiden av produktet skal rengjøres jevnlig for å unngå lukt.

Bruk en myk klut eller en svamp for å rengjøre innsiden av apparatet med to spiseskjeer natron oppløst i én liter vann. Skyll så med vann

og tørk av. Etter rengjøring, åpner du døren og la den tørke naturlig før du slår på strømmen.

Når det gjelder områder i apparatet som det er vanskelig å rengjøre (f.eks. smale sprekker, mellomrom og hjørner) er det anbefalt å tørke dem av jevnlig med en myk klut, myk børste eller lignende, og å bruke redskaper (f.eks. tynne pinner) ved behov for å sikre at det ikke samler seg opp smuss og bakterier i disse områdene.

Tørk av utsiden av apparatet med en myk klut fuktet med såpevann, og tørk det så med en tørr klut.

Bruk ikke harde børster, stålull, stålbørster, slipemidler (f.eks. tannkrem), organiske løsemidler (f.eks. alkohol, aceton osv.), kokende vann eller syrer eller alkaliske midler, da disse kan skade kjøleskapets overflater og innside. Kokende vann og organiske løsemidler som benzen kan deformere eller skade plastdeler.



Ikke skyll direkte med vann eller andre væsker under rengjøring for å unngå kortslutninger eller påvirke elektrisk isolasjon etter nedsenking.

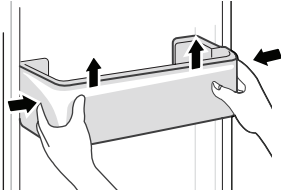
MERK

Apparatet må stå på kontinuerlig når det er startet opp. Generelt skal driften av apparatet ikke avbrytes; ellers kan levetiden bli svekket.

Rengjøring av dørbrett

I henhold til retningspilen i figuren nedenfor, bruker du begge hendene til å klemme brettet og skyver det oppover, slik at du kan ta det ut.

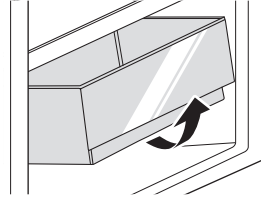
Etter å ha vasket brettet som er tatt ut, kan du justere monteringshøyden basert på behovet.



Rengjøring av grønnsaksskuffen

Fjern innholdet i skuffen. Hold i håndtaket på grønnsaksskuffen og trekk den helt ut til den stopper.

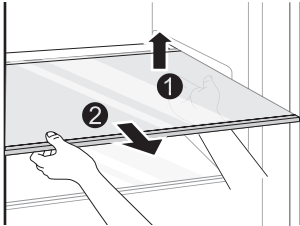
Løft grønnsaksskuffen opp og fjern den ved å trekke den ut.



Rengjøring av glasshyll

Siden den innerste delen av kjøleforingen der kontakt med hyllene har en tilbakeslag, må du heve hyllene oppover slik at du kan ta dem ut.

Juster eller rengjør hyllene i etter dine behov.



MERK

Forskjeller: På grunn av tekniske endringer og forskjellige modeller, kan noen av illustrasjonene i denne håndboken avvike fra din modell.

FEILSØKING

Følgende enkle problemer kan håndteres av brukeren. Ring ettersalgsserviceavdelingen hvis problemene ikke er løst.

Problem	Mulige årsaker	Løsning
Ikke betjene	<ul style="list-style-type: none">• Strømforsyningen er ikke slått på og støpselet er ikke satt ordentlig inn.• Lav spenning, strømbrudd eller en del av sikringen er utløst.	<ul style="list-style-type: none">• Sett strømledningen godt inn.• Kontroller strømforsyningen i hjemmet.
Lyset er ikke på	<ul style="list-style-type: none">• Apparatet er ikke slått på.• Lyset er ødelagt.	<ul style="list-style-type: none">• Trekk ut og koble til strømledningen igjen.• Lyset skal skiftes ut av en kvalifisert person.
Frukt eller grønnsaker fryses	<ul style="list-style-type: none">• Har det blitt plassert mat helt bakerst i kjøleskapet? Området nær bakveggen er det kaldeste.• Frukt og grønnsaker oppbevares i sonen Fersk.	<ul style="list-style-type: none">• Ikke plasser mat som lett kan fryse bak i kjøleskapet.• Sonen Fersk er kun til kjøtt/fisk.
Overkjøling	<ul style="list-style-type: none">• Temperaturkontrollen er ikke riktig innstilt.	<ul style="list-style-type: none">• Still inn temperaturen høyere.
Kompressoren har ikke vært i drift på lang tid	<ul style="list-style-type: none">• Høy omgivelsestemperatur gir lang arbeidstid.• Legger inn for mye mat samtidig.• Mat legges inn før den er avkjølt.• Døren åpnes for ofte.• Frostlaget på innsiden er for tykt.	<ul style="list-style-type: none">• Dette er normalt.• Ikke legg inn for mye mat samtidig.• Vent til maten er avkjølt før du legger den inn.• Ikke åpne døren for ofte.• Trenger å tine.
Døren lukkes ikke ordentlig	<ul style="list-style-type: none">• Døren sitter fast med gjenstander.• Rommer for mye mat.• Dørpakning deformert.	<ul style="list-style-type: none">• Plasser apparatet stabilt.• Ikke ha i for mye mat.• Varm opp dørpakningen, avkjøl den deretter for gjenoppretting (med en elektrisk tørketrommel eller varmt vann for oppvarming).
Ytterveggen er varm	<ul style="list-style-type: none">• Når apparatet er i drift, spres varmen til utsiden gjennom metallrørene inne i skapet.• Høyere omgivelsestemperaturer om sommeren fører til at utsiden av apparatet blir varmere.	<ul style="list-style-type: none">• Høyere temperatur på ytterveggen er normalt.• Øk varmeavledningsplassen, eller sett apparatet på et ventilert og kjølig sted.
Kryss- eller vertikale bjelker er varme	<ul style="list-style-type: none">• Det er metallrør inne i stengene, og varmen som frigjøres fra rørene, forhindrer kondens.	<ul style="list-style-type: none">• Dette er normalt.
Lukter	<ul style="list-style-type: none">• Ødelagt mat.• Mat med sterk lukt.• Det indre kammeret er skittent.	<ul style="list-style-type: none">• Rengjør og fjern eventuell ødelagt mat.• Sørg for at sterkt luktende mat er pakket inn lufttett.• Rengjør det indre kammeret.
Det dannes kondens på utsiden	<ul style="list-style-type: none">• Det kan dannes kondens når luftfuktigheten i rommet er høy.	<ul style="list-style-type: none">• Dette er normalt. Tørk av kondens med en tørr klut.
Det dannes kondens inne i kjøleskapet og skuffene	<ul style="list-style-type: none">• Kjøleskapet opprettholder en høy luftfuktighet for å holde grønnsaker og annen mat ferske.• Fuktigheten er for høy i rommet og dørene har blitt åpnet ofte.• Dørpakningen er ikke tett.	<ul style="list-style-type: none">• Tørk av kondens med en tørr klut.• Ikke åpne dørene så ofte eller hold dem åpne for lenge.• Kontroller dørpakningen, rengjør eller korrigere posisjonen.

Enkelte lyder kan høres under normal bruk av kjøleskapet, dette påvirker ikke korrekt drift.

Lyder som enkelt kan forhindres:

- > Støy forårsaket av apparatet som ikke står i vater – juster posisjonen med de justerbare innfellbare forføttene. Alternativt kan du plassere puter laget av mykt materiale under de bakre rullene, spesielt dersom apparatet er plassert på fliser.
- > Berøring av det tilstøtende møbelet – flytt kjøleskapet vekk.
- > Knirking av skuffer eller hyller – ta ut og sett tilbake skuffen eller hyllen.
- > Lyder av klirrende flasker – flytt flasker fra hverandre.

Lyder som høres under normal bruk skyldes hovedsakelig drift av kompressoren (slå på) og kjølesystemet (termisk ekspansjon og sammentrekning av radiatoren forårsaket av kjølemiddelflyt).

VEDLEGG

Spesielt for ny europeisk standard

Bestillingsdelene i følgende tabell kan anskaffes fra serviceleverandøren.

Bestilte del	Levert av	Minimum tid som kreves for bruk
Termostater	Profesjonelt vedlikeholdspersonell	Minst 7 år etter at siste modell er lansert på markedet
Temperatursensorer	Profesjonelt vedlikeholdspersonell	Minst 7 år etter at siste modell er lansert på markedet
Trykte kretskort	Profesjonelt vedlikeholdspersonell	Minst 7 år etter at siste modell er lansert på markedet
Lyskilder	Profesjonelt vedlikeholdspersonell	Minst 7 år etter at siste modell er lansert på markedet
Dørhåndtak	Profesjonelle reparatører og sluttbrukere	Minst 7 år etter at siste modell er lansert på markedet
Dørhengsler	Profesjonelle reparatører og sluttbrukere	Minst 7 år etter at siste modell er lansert på markedet
Skuffer	Profesjonelle reparatører og sluttbrukere	Minst 7 år etter at siste modell er lansert på markedet
Kurver	Profesjonelle reparatører og sluttbrukere	Minst 7 år etter at siste modell er lansert på markedet
Dørpakninger	Profesjonelle reparatører og sluttbrukere	Minst 10 år etter at siste modell er lansert på markedet

MERK

Modellinformasjonen i produkt databasen og modellidentifikatoren kan skaffes ved å gå til en kobling man får ved å skanne en QR-kode på energietiketten, hvis aktuelt.

For mer informasjon om apparatets energieffektivitet, kan du besøke <https://eprel.ec.europa.eu> og søke med modellnavnet. Modellnavnet finner du på typeskiltet til apparatet.

Spesifikasjoner:

Modell: PORFI17DDN

Klimaklasse: SN/N/ST/T

Merkespenning: 220–240 V~

Nominell frekvens: 50 Hz

Kjølemedium: R600a (37 g)

Støy: 35 dB (B-klasse)

Power International AS,
Postboks 523, N-1471 Lørenskog, Norge

Power Norge:
<https://www.power.no/kundeservice/>
T: 21 00 40 00

Power Danmark:
<https://www.power.dk/kundeservice/>
T: 70 33 80 80

Punkt 1 Danmark:
<https://www.punkt1.dk/kundeservice/>
T: 70 70 17 07





Power Finland:
<https://www.power.fi/tuki/asiakaspalvelu/>
T: 0305 0305

Power Sverige:
<https://www.power.se/kundeservice/>
T: 08 517 66 000

Lue seuraavat turvallisuusohjeet ennen laitteen ensimmäistä käyttökertaa!

- > Tämä laite on tarkoitettu käytettäväksi kotitalouksissa ja vastaavissa käyttöpaikoissa, kuten henkilöstön keittiötiloissa kaupoissa, toimistoissa ja muissa työympäristöissä; maataloilla, asiakkaiden toimista hotelleissa, motelleissa ja muissa asuintyyppeissä ympäristöissä; aamiaismajoitustyyppisissä ympäristöissä; pitopalveluissa ja vastaavissa muuhun kuin jälleenmyyntiin tarkoitetuissa paikoissa.
- > Tätä laitetta ei ole tarkoitettu sellaisten henkilöiden (mukaan lukien lapset) käyttöön, joilla on heikentyneet fyysiset, aistinvaraiset tai henkiset kyvyt tai joilla ei ole riittävästi kokemusta tai tietoa, ellei heidän turvallisuudestaan vastaava henkilö valvo heitä tai opasta heitä laitteen käytössä.

Termien/symbolien selitykset

	VAARA Tämä symboli ilmaisee, että erittäin helposti syttyvä kaasu aiheuttaa vaaraa ihmisten hengelle ja terveydelle.
	VAROITUS Merkkisana ilmaisee keskisuuren vaaran, joka voi johtaa kuolemaan tai vakavaan loukkaantumiseen, jos sitä ei vältetä.
	HUOMIO Merkkisana ilmaisee vähäisen vaaran, joka voi aiheuttaa lieviä tai kohtalaisia vammoja, jos sitä ei vältetä.
	HUOMAUTUS Merkkisana ilmaisee tärkeää tietoa (esim. omaisuusvahinko), mutta ei vaaraa.

TÄRKEÄÄ: Kiinnitä erityistä huomiota viesteihin, jotka sisältävät sanat **VAARA**, **VAROITUS** tai **HUOMIO**. Näitä sanoja käytetään varoittamaan sinua mahdollisesta vaarasta, joka voi vahingoittaa sinua ja muita vakavasti. Ohjeissa kerrotaan, miten voit vähentää loukkaantumisen mahdollisuutta, ja kerrotaan, mitä voi tapahtua, jos ohjeita ei noudateta.

HUOMAUTUS: Nämä käyttöohjeet ovat yleisiä. Tämä tarkoittaa, että tietyt toiminnot koskevat jääkaappiasi, kun taas toiset eivät.

Työskentelemme jatkuvasti laitetyyppiemme ja -malliemme jatkokehittämisen ja parantamisen parissa. Siksi pidätämme oikeuden tehdä muutoksia kaikkien tyyppien ja mallien suunnitteluun, laitteisiin ja lisävarusteisiin ilman ennakoilmoitusta.

TÄRKEITÄ TURVALLISUUSOHJEITA

LUE JA SÄILYTÄ NÄMÄ OHJEET!



VAROITUS: Tulipalovaara / syttyviä materiaaleja

Laitteessa käytetty kylmäaine ja syklopentaanivaahoaine ovat syttyviä. Kun laite romutetaan, se on tästä syystä pidettävä etäällä palonlähteistä ja se on otettava talteen erityisen talteenottoyrityksen toimesta, jolla on asianmukainen pätevyys, eikä sitä saa hävittää polttamalla, jotta vältetään ympäristövahingot tai muut haitat.

VAROITUS

Yleinen turvallisuus

- > Lapsia on valvottava, jotta he eivät leiki laitteella.
- > Jos virtajohto on vaurioitunut, valmistajan tai sen huoltoliikkeen tai vastaavan pätevyyden omaavien henkilöiden on vaihdettava se vaaran välttämiseksi.
- > Älä säilytä laitteen sisällä räjähtäviä aineita, kuten aerosolipurkkeja, joissa on syttyvää ponneainetta.
- > Laite on irrotettava pistorasiasta ennen laitteen huoltotoimenpiteitä.
- > **VAROITUS:** Pidä laitteen sisällä tai sisäänrakennetussa rakenteessa olevat ilmanvaihtoaukut vapaina.
- > **VAROITUS:** Älä käytä muita kuin valmistajan suosittelemia mekaanisia laitteita tai keinoja sulatusprosessin nopeuttamiseksi.
- > **VAROITUS:** Varo vaurioittamasta jäähdytysainepiiriä.
- > **VAROITUS:** Älä käytä sähkölaitteita laitteen sisällä, ellei valmistaja suosittele sitä.
- > **VAROITUS:** Jääkaappi on hävitettävä paikallisten määräysten mukaisesti, sillä siinä käytetään syttyvää kaasua ja kylmäainetta.
- > **VAROITUS:** Kun asetat laitetta paikalleen, varmista, että virtajohto ei ole jäänyt mihinkään kiinni tai vaurioitunut.
- > **VAROITUS:** Älä laita jatkojohtoja tai kannettavia virtalähteitä laitteen taakse.
- > Älä käytä jatkojohtoja tai maadoittamattomia (kaksipiikkisiä) sovitinta.
- > Laitteen epävakaudesta johtuvan vaaran välttämiseksi se on kiinnitettävä ohjeiden mukaisesti.
- > Jääkaappi on irrotettava virtalähteestä ennen lisävarusteen asennuksen aloittamista. Varmista, ettei virtajohto jää loukkuun jääkaappiin. Älä astu virtajohdon päälle.

HUOMIO

Päivittäinen käyttö

- > Älä vedä virtajohtosta, kun irrotat jääkaapin pistokkeen pistorasiasta. Tartu pistokkeeseen ja vedä se irti pistorasiasta.
- > Varmistaaksesi turvallisen käytön, älä vahingoita virtajohtoa tai käytä virtajohtoa, jos se on vahingoittunut tai kulunut.
- > Käytä erillistä pistorasiaa, jota ei jaeta muiden sähkölaitteiden kanssa.
- > Pistokkeen tulee olla tiukasti liitetty pistorasiaan, muuten seurauksena voi olla tulipalo.
- > Varmista, että pistorasian maadoitus on toteutettu luotettavalla maadoitusjohtimella.
- > Jos haistat kaasua tai muita palavia kaasuja, sulje kaasun syöttöventtiili välittömästi ja avaa ovet ja ikkunat tuulettaaksesi alueen.
- > Kaasuvuodon sattuessa älä irrota jääkaappia pistorasiasta äläkä käytä sähkökytkimiä; kipinä voi sytyttää kaasun ja aiheuttaa tulipalon.
- > Älä käytä laitteen päällä sähkölaitteita, elleivät ne ole valmistajan suosittelemia.
- > Jääkaapin ovien ja rungon väliset raot ovat pienet, älä aseta kättäsi näille alueille, jotta sormesi ei jää puristuksiin. Ole varovainen, kun suljet oven, jotta vältät putoavat tuotteet.
- > Älä anna lasten mennä jääkaapin sisälle tai kiivetä sen päälle; muutoin lapsi voi tukehtua tai saada putoamisvamman.
- > Älä aseta painavia esineitä jääkaapin päälle. Ne voivat pudota ovea avattaessa tai suljettaessa ja aiheuttaa vamman.
- > Älä laita syttyviä, räjähtäviä, haihtuvia ja voimakkaasti syövyttäviä aineita jääkaappiin, jotta vältät jääkaapin vahingoittumisen tai tulipalot.
- > Älä aseta syttyviä esineitä laitteen lähelle tulipalojen välttämiseksi.
- > Jääkaappi on tarkoitettu kotitalouskäyttöön, kuten elintarvikkeiden säilytykseen; sitä ei saa käyttää muihin tarkoituksiin, kuten veren, lääkkeiden tai biologisten tuotteiden ym. säilytykseen.

VAROITUS

EU-standardin osalta:

Tätä laitetta saavat käyttää vähintään 8-vuotiaat lapset ja henkilöt, joilla on heikentyneet fyysiset, aistinvaraiset tai henkiset kyvyt tai joilla ei ole riittävästi kokemusta tai tietoa, jos heitä valvotaan tai heitä on opastettu laitteen turvallisessa käytössä, ja jos he ymmärtävät siihen liittyvät vaarat. Lapset eivät saa leikkiä laitteella. Lapset eivät saa puhdistaa tai huoltaa laitetta ilman valvontaa.

Elintarvikkeiden kontaminaation välttämiseksi noudata seuraavia ohjeita:

- Oven avaaminen pitkiksi ajoiksi voi nostaa lämpötilaa merkittävästi laitteen sisällä.
- Puhdista säännöllisesti pinnat, jotka voivat joutua kosketuksiin elintarvikkeiden kanssa kuten myös käsiisi päästävät tyhjennysjärjestelmät.
- Puhdista vesisäiliöt, jos niitä ei ole käytetty 48 tuntiin; huuhtelee vesijohtoverkkoon liitetty vesijärjestelmä, jos vettä ei ole laskettu 5 päivään. **(Huomaa 1)(*)**
- Säilytä raaka liha ja kala sopivissa astioissa jääkaapissa, jotta ne eivät pääse kosketuksiin muiden elintarvikkeiden kanssa eivätkä valuta nesteitä muiden elintarvikkeiden päälle.
- Kahdella tähdellä merkityt pakasteosastot soveltuvat valmiiksi pakastettujen elintarvikkeiden säilytykseen, jäätelön säilytykseen tai valmistukseen sekä jääpalojen valmistukseen. **(Huomaa 2)(*)**
- 1 tähden, 2 tähden ja 3 tähden osastot eivät sovellu tuoreiden elintarvikkeiden pakastamiseen. **(huomaa 3)(*)**
- Laitteet, joissa ei ole 4 tähden osastoa: tämä kylmälaite ei sovellu elintarvikkeiden pakastamiseen. **(huomaa 4)(*)**
- Jos pakastin jätetään tyhjäksi pitkäksi aikaa, sammuta, sulata, puhdista, kuivaa ja jätä luukku auki, jotta laitteeseen ei pääse muodostumaan hometta.

Huomaa 1, 2, 3, 4: Varmista soveltuuko se oman tuotteesi osastotyyppiin.

(*) : Tämä ominaisuus riippuu ostetusta mallista.



"4 tähden" symboli: Pakastinosa on -18°C tai kylmempi, siinä pystyy pakastamaan nopeasti tietyn määrän elintarvikkeita.



"3 tähden" symboli: Pakastinosa on -18°C tai kylmempi.



"2 tähden" symboli: Pakastinosa on -12°C tai kylmempi.



"1 tähden" symboli: Pakastinosan tavoitelämpötila ja säilytysolosuhteet ovat -6°C .

HUOMIO

Tätä tuotetta ei suositella käytettäväksi sellaisten pistorasoiden tai pääkytkinten kanssa, joissa on AFCI-/GFCI-toimintoa. Se voi aiheuttaa väärän laukaisun.

1. Se ei aiheuta turvallisuusvaaraa, kun se laukeaa.
2. Jos laukeaminen toistuu, on suositeltavaa vaihtaa pistorasia tai pääkytkin sellaiseen, jossa ei ole AFCI-/GFCI-toimintoa.

VAROITUS

Lapsen kiinnijäämisen vaara. Ennen kuin heität vanhan jääkaapin pois:

- > Irrota ovet.
- > Jätä hyllyt paikoilleen jotta lapset eivät voi helposti kiivetä sisälle.

YMPÄRISTÖNSUOJELU

Vanhojen sähkölaitteiden hävittäminen ympäristöystävällisellä tavalla



Tämä yliiviivatuun pyörillä varustetun jäteastian symboli osoittaa, että sähkö- ja elektroniikkalaiteromu (WEEE) on hävitettävä erillään yhdyskuntajätteestä.

Vanhat sähkötuotteet voivat sisältää vaarallisia aineita, joten vanhan laitteesi asianmukainen hävittäminen auttaa estämään mahdolliset haitalliset vaikutukset ympäristölle ja ihmisten terveydelle. Vanha laitteesi voi sisältää uudelleenkäytettäviä osia, joita voidaan käyttää muiden tuotteiden korjaamiseen, ja muita arvokkaita materiaaleja, jotka voidaan kierrättää rajallisten resurssien säästämiseksi.

Pakkauksen tiedot



Tuotteen pakkausmateriaalit on valmistettu kierrätettävistä materiaaleista kansallisten ympäristösäästösten mukaisesti. Älä hävitä pakkausmateriaaleja kotitalousjätteen tai muun jätteen mukana. Toimita ne paikallisten viranomaisten osoittamiin pakkausmateriaalien keräyspisteisiin.

HUOMIO

Laitteessa käytetty kylmäaine ja syklopentaanivaahtoaine ovat syttyviä. Kun jääkaappi romutetaan, se on tästä syystä pidettävä etäällä palonlähteistä ja se on otettava talteen erityisen talteenottoyrityksen toimesta, jolla on asianmukainen pätevyys, eikä sitä saa hävittää polttamalla, jotta vältetään ympäristövahingot tai muut haitat.

ASENNUSOHJE

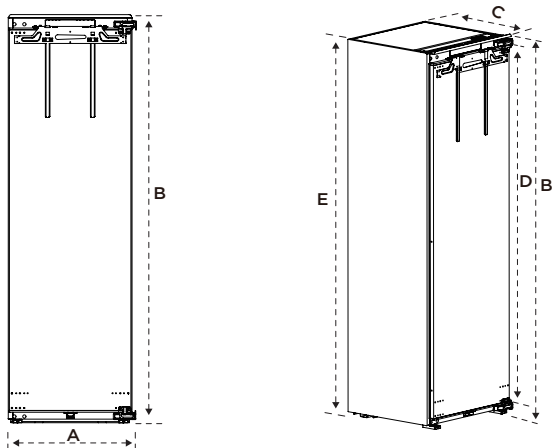
Ennen ensimmäistä käyttökertaa

Poista ulko- ja sisäpakkkaus, pyyhi ulkopuoli huolellisesti pehmeällä kuivalla liinalla ja sisäpuoli kostealla, haalealla liinalla.

Ennen kuin liität jääkaapin virtalähteeseen, tarkista, että laitteen arvokilvessä ilmoitettu jännite vastaa kotisi jännitettä. Eri jännite voi vahingoittaa laitetta.

Laitte on maadoitettava. Valmistaja ei ole vastuussa vahingoista, jotka voivat aiheutua käytöstä ilman maadoitusta.

Tilatarvekaavio



A	B	C	D	E
557	1785	550	1676	1770

Huomaa: Kaikki mitat ovat millimetrejä

Ympäristön lämpötila

Ilmastoluokasta riippuen tämä jääkaappi on tarkoitettu käytettäväksi oikeanpuoleisessa taulukossa määritellyllä ympäristön lämpötila-alueella.

Tuote ei välttämättä toimi kunnolla määritetyn alueen ulkopuolisissa lämpötiloissa.

Ilmastoluokan löydät tuotekilvestä.

Ilmastoluokka	Ympäristön lämpötila
SN	+10 - +32 °C
N	+16 - +32 °C
ST	+16 - +38 °C
T	+16 - +43 °C

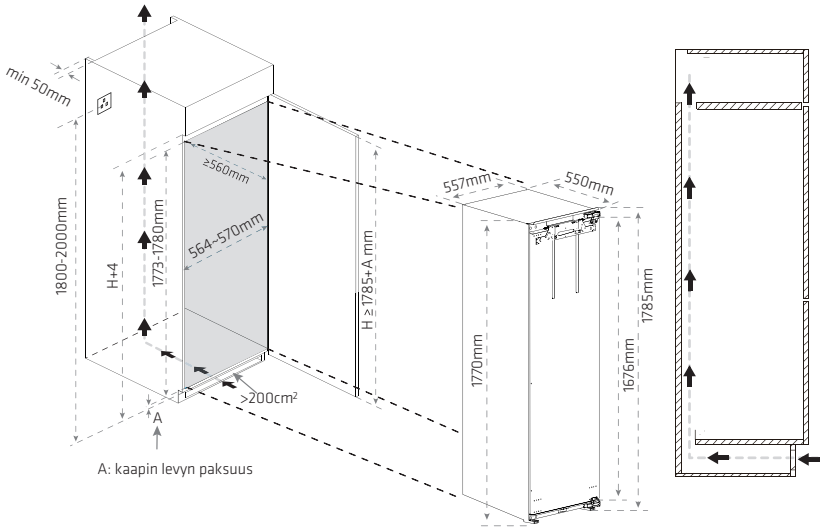
Jos sinulla on epäilyksiä asennuksesta, käänny myyjän, asiakaspalvelumme tai lähimmän valtuutetun huoltoilijän puoleen.

HUOMAUTUS

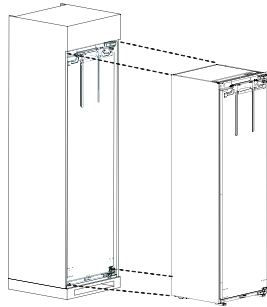
Jääkaapin jäädytystehoon ja virrankulutukseen voivat vaikuttaa ympäristön lämpötila, oven avaamistiheys ja jääkaapin sijainti. Suosittelemme lämpötila-asetusten säätämistä tarpeen mukaan.

Kaappiin asennus

Kaapin kokovaatimukset. (Jalkalista ja kaapin takaosa varustetaan läpimenevällä lämmönpoistokanavalla.)

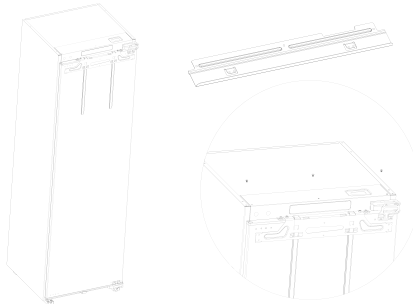


Jääkaappi asennetaan kaappiin seuraavasti:



Yläsuojalevyn asennus

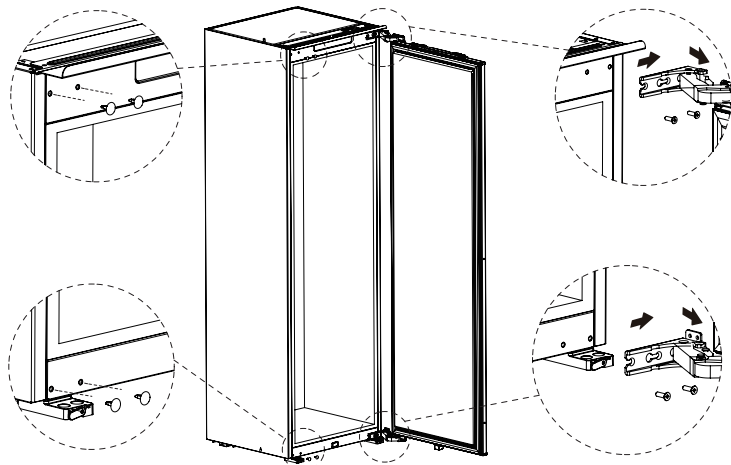
Ota yläsuojalevy esiin ja poista pakkauspussi; Asenna yläsuojalevy näytettyyn kohtaan ja kiinnitä se kolmella ruuvilla.



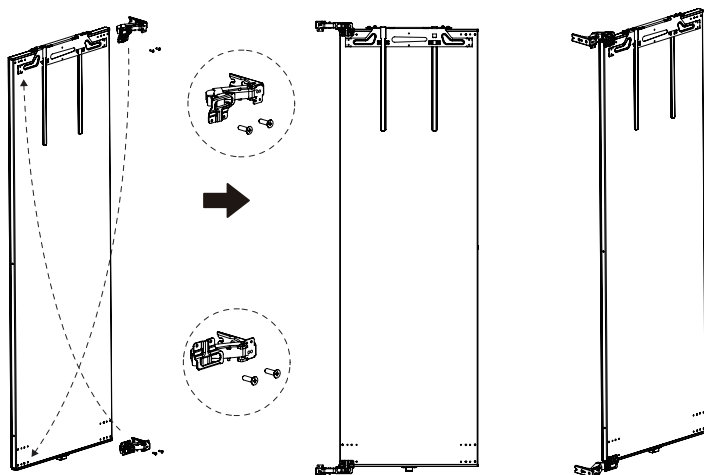
Ovien kääntäminen

Jääkaapin oven avaussuunta on oletuksena oikeakätinen. Jos haluat vaihtaa sen vasenkätiseksi, toimi seuraavasti:

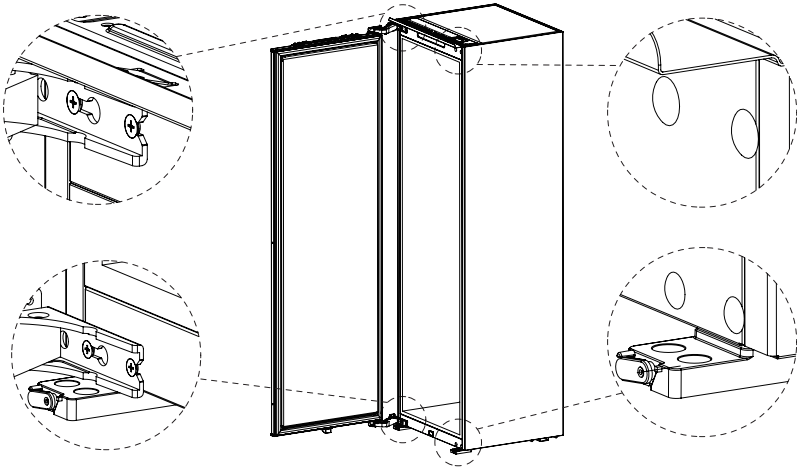
1. Avaa ovi ja vedä tapit ulos ylä- ja alapalkista.
2. Irrota saranaruuvit ja poista ovi varovasti, koska se on hyvin raskas.



3. Irrota oven ylä- ja alasaranat ja kiinnitä saranat oven vastakkaiselle puolelle.



4. Asenna ovi takaisin kaappiin ja kiinnitä se ruuvilla. Työnnä sitten tapit oikealla puolella oleviin saranaruuvien reikiin. Oven kääntäminen valmis.



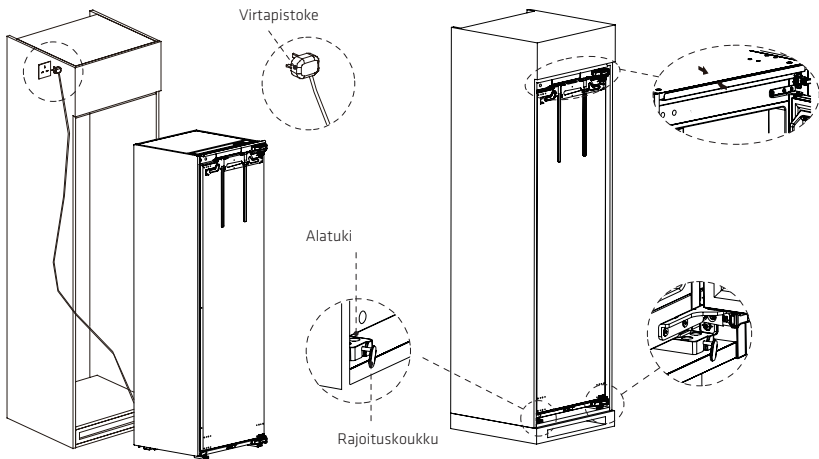
5. Jääkaapin asettaminen kaappiin.

- > Pura jääkaappi pakkauksesta ja ota asennustarvikkeet jääkaapin ovesta.

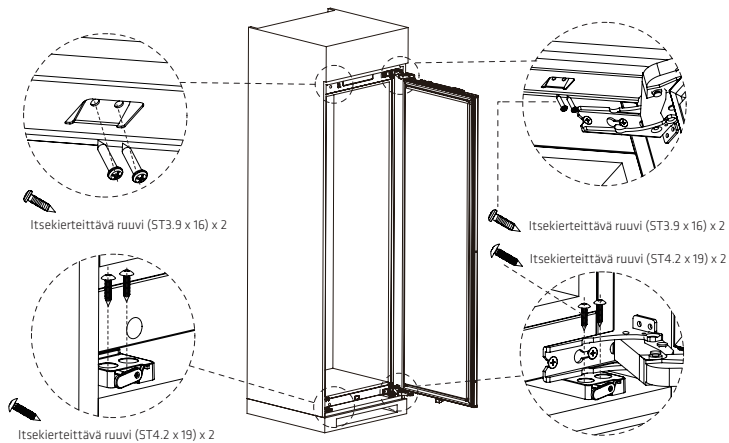


-  Oven avautumispuolen kiinnike x 2
-  Oven avautumispuolen kiinnikkeen suojus x 2
-  Saranapuolen kiinnike x 2
-  Saranapuolen kiinnikkeen suojus x 2
-  Yläsuojalevyn kansi x 2
-  Tiivistenauha x 1
-  Oven yläpuolen koristekansi x 1
-  Alatuen suojus x 4
-  Saranan koristekansi x 2
-  Itsekierteittävä ruuvi (ST4.2 x 13) x 14
-  Itsekierteittävä ruuvi (ST4.2 x 19) x 4
-  Itsekierteittävä ruuvi (ST3.9 x 16) x 4
-  Itsekierteittävä ruuvi (ST2.9 x 11) x 8

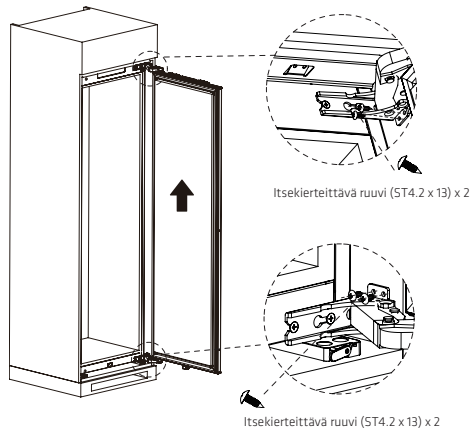
- > Sulje jääkaapin ovi, ota virtajohto esiin ja kytke se pistorasiaan tai kaapin kaapelireiän läpi.



- > Kun olet siirtänyt jääkaappia kaappiin tietyn matkan, avaa jääkaapin alaosassa oleva rajoituskoukku. Säädä jääkaapin sijainti niin, että se on lähellä kaappia jääkaapin saranapuolella ja yläpuolen suojailevän taivutuksen koskettaa kaapin reunaa ja tukirajoituskoukku kaapin alareunaa. Varo, ettei virtajohto jää puristuksiin asettamisen aikana.
- > Kiinnitä alatuki 19 x ST4.2 -ruuveilla ja yläsuojalevy 16 x ST3.9 -ruuveilla puukaappiin. Varmista kiinnityksen aikana, että jääkaappi ei ole vinoissa.

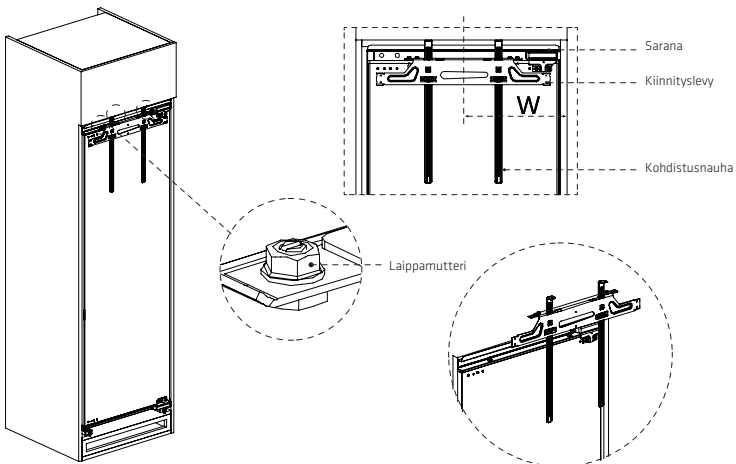


- > Avaa jääkaapin ovi ja kiinnitä saranat kaapin sivupaneeliin 13 x ST4.2 -ruuveilla. Pidä ovi ylhäällä ruuvien kiinnittämisen aikana.



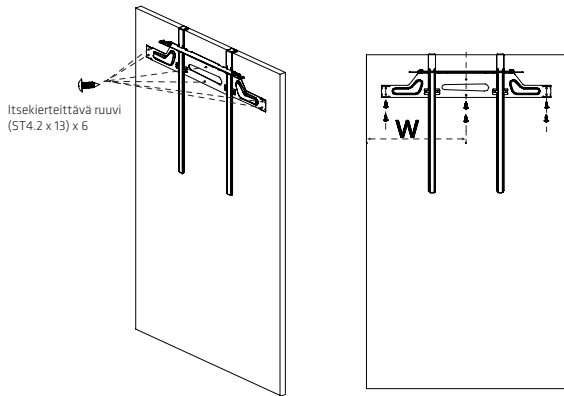
6. Kaapin oven asentaminen.

- > Sulje jääkaapin ovi, ota kohdistusnauha jääkaapin ovesta ja kiinnitä se kaapin yläpintaan. Säädä kiinnityslevykokoonpano keskelle ja mittaa etäisyys (W) keskimmäisen kiinnitysreian keskeltä kaapin sivureunaan. Säilytä kohdistuspidike paikallaan; löysää kiinnityslevykokoonpanon laippamutterit ja irrota kiinnityslevykokoonpano sekä kohdistusnauha.

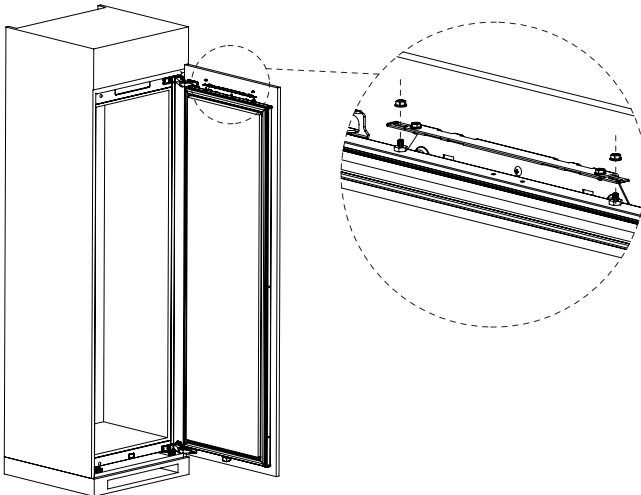


- > Käännä kaapin ovi ympäri, anna kohdistusnauhan tarttua puuoven yläreunaan niin, että kiinnityslevy kiinnittyy kalusteoven takapaneeliin.

Säädä kiinnityslevykokoonpanoa, kunnes sen keskilinjan ja puuoven sivureunan välinen etäisyys on W, ja kiinnitä se 13 x ST4.2 -ruuveilla. Poista kohdistusnauha asennuksen jälkeen.

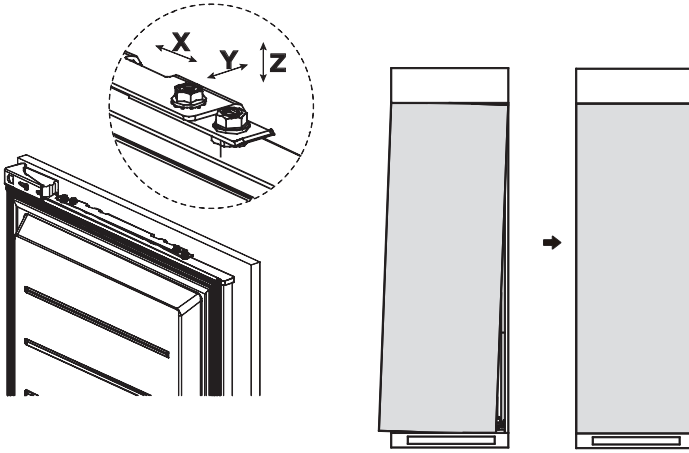


- > Aseta kaapin ovi jääkaapin oven kiinnikkeeseen, sulje ovi ja tarkista puuoven ja kaapin välinen kiinnitys. Varmista sulkeutuminen ja kiinnitä se laippamuttereilla.

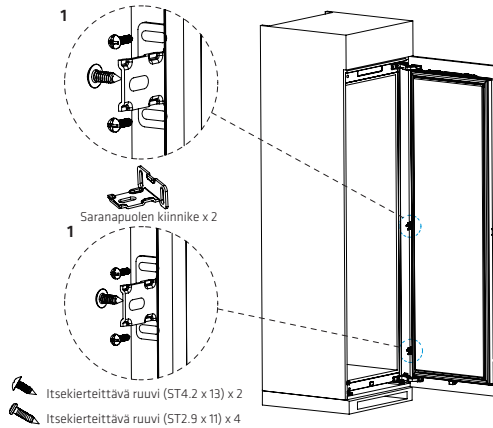


- > Jos kaapin ovi on vinossa, säädä kaapin ovea alla olevien ohjeiden mukaisesti:
 - Säädä korkeutta (Z) (noin 5 mm) säätämällä kiinnikkeen muttereita jakoavaimella;
 - Löysää hieman laippamuttereita, siirrä ovea vasemmalle ja oikealle sen asennon (X) säätämiseksi (noin 5 mm) ja kiristä laippamutterit, kun ovi on säädetty oikeaan asentoon;

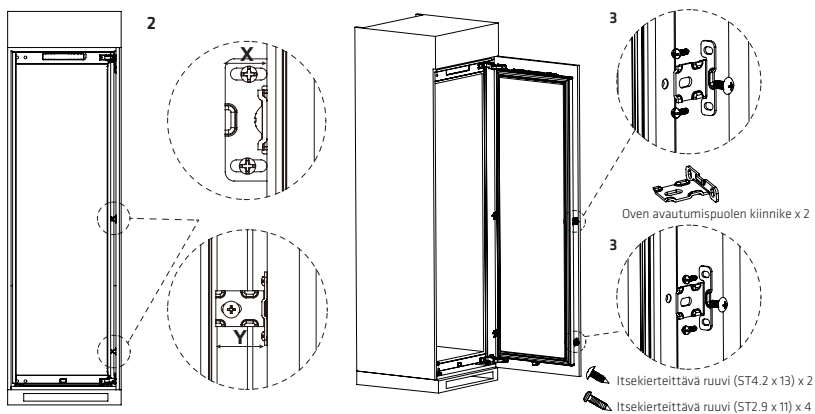
- Löysää hieman kuusikulmisiä ristipääruuveja, siirrä ovea taaksepäin ja eteenpäin etu-taka-asennon (Y) säätämiseksi (noin 5 mm), ja kiristä kuusikulmaiset ristipääruuvit, kun ovi on säädetty oikeaan asentoon.



- > Kiinnitä jääkaapin ovi kaapin oveen sivukiinnikkeellä.
- > Kiinnitä ensin saranapuolen sivukiinnike, jotta kaapin ovi voidaan säätää oikeaan asentoon.



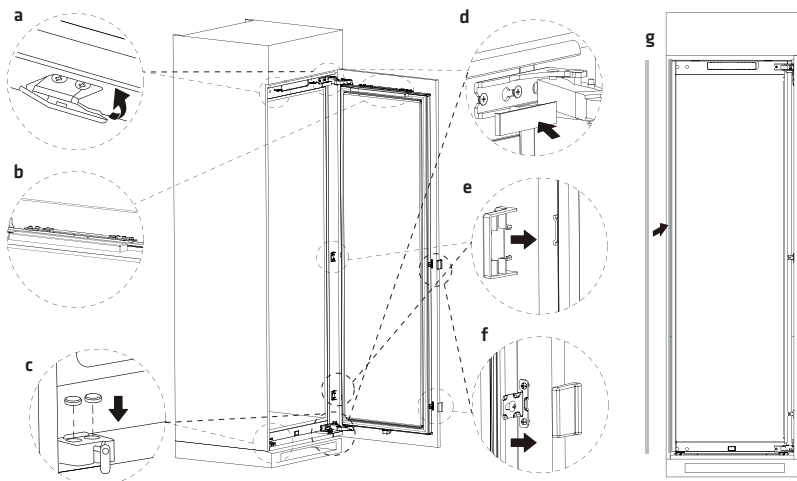
- > Jos kaapin oven alaosa on vinossa, säädä kaapin ovea alla olevien ohjeiden mukaisesti:
 - Kiristä hieman sivukiinnikkeen ruuveja (11 x ST2.9), siirrä ovea vasemmalle ja oikealle sen asennon (X) säätämiseksi (noin 5 mm) ja kiristä laippamutterit, kun ovi on säädetty oikeaan asentoon;
 - Löysää hieman sivukiinnikkeen ruuveja (13 x ST4.2), siirrä ovea taaksepäin ja eteenpäin etu-taka-asennon (Y) säätämiseksi (noin 5 mm) ja kiristä ruuvit, kun ovi on säädetty oikeaan asentoon.



> Kun kaapin ovi on säädetty oikeaan asentoon, kiinnitä oven avautumispuolen sivukiinnike.

7. Asennuksen päättäminen.

- | | |
|---|---|
| a. Asenna yläsuojalevyn kansi | b. Asenna oven koristesuojus |
| c. Asenna alatuennus | d. Asenna oven koristesuojus |
| e. Asenna saranapuolen kiinnikkeen suojus | f. Asenna oven avautumispuolen sivukiinnikkeen suojus |
| g. Asenna tiivistenauha | |



HUOMAUTUS

Eröt: Teknisten muutosten ja erilaisten mallien vuoksi osa tämän käyttöoppaan kuvista saattaa erota omasta mallistasi.

Lampun vaihtaminen

LED-lamppuja saa vaihtaa ja huoltaa vain valmistaja, sen huoltoedustaja tai vastaavasti pätevä henkilö.

Tämä tuote sisältää energiatehokkuusluokan (F) valonlähteen.

Kun olet liittännyt virtajohdon (tai pistokkeen) liitäntään, odota 2 tai 3 tuntia ennen kuin laitat elintarvikkeita laitteen sisälle. Jos lisäät elintarvikkeet ennen kuin laite on jäähtynyt kokonaan, elintarvikkeet voivat pilaantua.

Laitteen siirtäminen

1. Poista kaikki tuotteet laitteesta.
2. Vedä virtapistoke irti ja kiinnitä se.
3. Teippaa osat, kuten hyllyt ja ovi, jotta ne eivät putoa, kun laitetta siirretään.
4. Siirrä laitetta kahden henkilön voimin varovasti. Kun kuljetat laitetta pitkän matkan, pidä laite pystyssä.

Energiansäästövinkejä

Älä sijoita laitetta liesien, pattereiden tai muiden lämmönlähteiden läheisyyteen. Jos ympäristön lämpötila on korkea, kompressori käy useammin ja pidempään, jolloin energiankulutus kasvaa. Varmista, että laitteen alaosassa, sivuilla ja takaosassa on riittävä ilmanvaihto.

Huomioi myös luvussa ”Asennus” esitetyt etäisyydet.

Laatikoiden, hyllyjen ja lokeroiden sijoittelu tuotekuvasse esitetyllä tavalla tarjoaa tehokkaimman energiankäytön, ja se tulisi säilyttää mahdollisimman pitkälle.

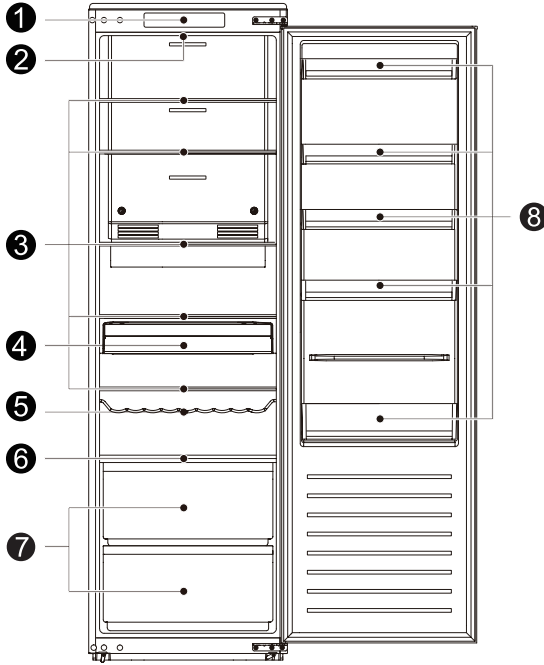
Suuremman säilytystilan saamiseksi (esim. suurille kylmä- tai pakaste-elintarvikkeille) keskimmäiset laatikot ja hyllyt voidaan poistaa. Ylä- ja alalaatikot ja hyllyt tulee tarvittaessa poistaa viimeisenä. Tasaisesti täytetty tila edistää optimaalista energiankäyttöä.

Anna lämpimien elintarvikkeiden jäähtyä ennen niiden laittamista jääkaappiin. Valmiiksi jäähtyneet elintarvikkeet parantavat energiatehokkuutta. Anna pakastetun ruoan sulaa jääkaappiosastossa. Pakastetun ruoan kylmyys vähentää energiankulutusta jääkaappiosastossa ja parantaa siten energiatehokkuutta. Avaa ovi vain niin lyhyesti kuin on tarpeen kylmähävikin minimoimiseksi. Oven avaaminen lyhyesti ja kunnollinen sulkeminen vähentävät energiankulutusta.

Lämpötilan asettaminen enintään välttämättömään lämpötilaan edistää optimaalista energiankäyttöä. Laitteen oviitivistaiden on oltava täysin ehjät, jotta ovet sulkeutuvat kunnolla ja energiankulutus ei lisäännä tarpeettomasti.

TUOTTEEN YLEISKUVAUS

Osat ja toiminnot



- 1 Lämpötilan säätöpaneeli
- 2 LED-valo
- 3 Hylly
- 4 Säilytyslaatikko

- 5 Viinipulloteline
- 6 Hedelmä- ja vihanneslaatikon kansi
- 7 Hedelmä- ja vihanneslaatikko
- 8 Ovilokero

> Energian mahdollisimman tehokkaan käytön varmistamiseksi pidä kaikki sisäosat, kuten lokerot, laatikot ja hyllyt, valmistajan ilmoittamissa paikoissa.

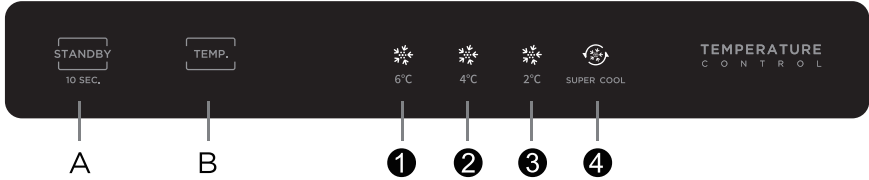
HUOMAUTUS

Erot: Teknisten muutosten ja erilaisten mallien vuoksi osa tämän käyttöoppaan kuvista saattaa erota omasta mallistasi.

KÄYTTÖOHJEET

Käyttö ja toiminnot

Käyttöpaneeli



Painike

A Valmiustilapainike

B Lämpötilan asetuspainike

Näyttöruutu

1 Asetus 1: lämpötila-asetus on **6 °C**

3 Asetus 3: lämpötila-asetus on **2 °C**

2 Asetus 2: lämpötila-asetus on **4 °C**

4 Asetus 4: **Tehojäähdytys**

Näyttö

Kun laite kytketään ensimmäisen kerran päälle, näyttö syttyy 3 sekunniksi, samalla kun käynnistysääni kuuluu, sitten näyttö siirtyy normaaliin käyttötilaan; (jääkaapin lämpötila-asetus on 2 eli **4 °C** kytkettäessä päälle ensimmäisen kerran).

Näyttää vikakoodin, jos on vika (kiertävä näyttö); näyttää jääkaapitilaan asetetun lämpötilan, kun vikaa ei ole.

Näyttöpaneeli on päällä, kun jääkaapin ovi on auki ja se sammuu 30 sekunnin kuluttua oven sulkemisesta. Jos näyttöpaneeli ei syty, paina mitä tahansa näppäintä. Näyttöpaneeli tulee näkyvään ja sillä voidaan säätää toimintaa.

Vikakoodi	Vian kuvaus
LED "1" ja LED "2" palavat	Jääkaapin lämpötila-anturin piiri
LED "1" ja LED "3" palavat	Jääkaapin sulatusanturi
LED "2" ja LED "4" palavat	Tiedonsiirtovika
LED "1" ja LED "4" palavat	Ympäristön lämpötila-anturi

Lukitseminen ja avaaminen

Ei lukitus- tai avautustoimintoa.

Asetus tulee voimaan 15 sekunnin käyttämättömyyden jälkeen.

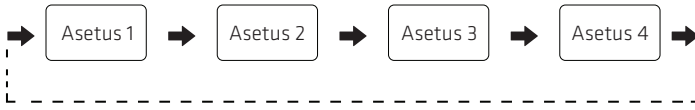
HUOMAUTUS

Todellinen käyttöpaneeli vaihtelee mallin mukaan.

Käyttöasetus

Jokaisella painikkeen painalluksella asetus vaihtuu yhdellä. Kun asetus on ollut 15 sekuntia, jääkaappi alkaa toimia asetetun arvon mukaisesti.

Suosittelut asetuslämpötila: jääkaappitila 4 °C;



Oven aukiolohälytys ja hälytyksen sammutus

Kun jääkaapin ovi on auki 120 sekuntia, summeri hälyttää, kunnes jääkaapin ovi suljetaan tai painetaan mitä tahansa näppäintä summerin hälytyksen peruuttamiseksi.

Valmiustila

Pitämällä valmiustilapainiketta painettuna 10 sekunnin ajan siirryt valmiustilaan. Jääkaappi lakkaa toimimasta ja näyttö sammuu. Valmiustilassa voit palauttaa normaalin toiminnan pitämällä valmiustilapainiketta painettuna 10 sekunnin ajan.

Tehojäähdytystila

Tilaan siirtyminen: Paina muissa tiloissa painiketta **"TEMP."**, kunnes kuvake "❄️" syttyy.

Tilasta poistuminen: Tehojäähdytystilasta poistuminen tapahtuu automaattisesti 360 minuutin kuluttua tai painamalla lämpötilan asetuspainiketta.

Elintarvikkeiden säilyttäminen

Jääkaappiosasto

Kosteuden ja siitä seuraavan jään kertymisen vähentämiseksi älä koskaan laita nestettä jääkaappiosastoon avaamattomissa astioissa. Huurteella on taipumus kerääntyä höyrystimen viileimpiin osiin. Peittämättömien nesteiden säilyttäminen aiheuttaa tiheämmän sulatustarpeen.

Älä koskaan laita lämpimiä ruokia jääkaappiosastoon. Niiden tulee ensin jäähtyä huoneenlämpöiseksi ja sitten ne on sijoitettava niin, että riittävä ilmankierto jääkaapissa varmistetaan.

Elintarvikkeet tai ruoka-astiat eivät saa koskettaa jääkaapin takaseinää, koska ne voivat jäättyä seinään. Älä avaa jääkaapin ovea jatkuvasti.

Jääkaappiosastoon voidaan laittaa lihaa ja puhdasta kalaa (pakattuna pakettiin tai muovikelmuun), jotka voidaan käyttää 1-2 päivän kuluessa.

Pakkaamattomat hedelmät ja vihannekset voidaan sijoittaa tuoreille hedelmille ja vihanneksille tarkoitettuun laatikkoon.

KUNNOSSAPITO JA PUHDISTUS

HUOMIO

Irrota laite sähköverkosta ennen rutiinikunnossapitotoimia. Odota vähintään 5 minuuttia ennen kuin käynnistät laitteen uudelleen, sillä usein toistuva käynnistäminen voi vahingoittaa kompressoria.

Älä käytä muita kuin valmistajan suosittelemia mekaanisia laitteita tai keinoja sulatusprosessin nopeuttamiseksi.

Älä yritä korjata, purkaa tai muuttaa laitetta itse. Ota korjausasioissa yhteyttä asiakaspalveluumme.

Poista pöly laitteen takaa vähintään kerran vuodessa, jotta vältät tulipalovaaran sekä lisääntyneen energiankulutuksen.

Tarkista oven tiiviste säännöllisesti roskien varalta. Puhdista oven tiiviste pehmeällä liinalla, joka on kostutettu saippuaveteen tai laimeaan pesuaineeseen.

Tuotteen sisätilat on puhdistettava säännöllisesti hajujen välttämiseksi.

Puhdista tuotteen sisäpuoli pehmeällä liinalla tai sienellä. Käytä seosta, jossa on kaksi ruokalusikallista ruokasoodaa ja litra lämmintä vettä. Huuhtelee sitten vedellä ja pyyhi kuivaksi. Puhdistuksen jälkeen avaa ovi ja anna jääkaapin kuivua luonnollisesti ennen virran kytkemistä päälle.

Tuotteen vaikeasti puhdistettavat alueet (kuten kapeat raot, aukot tai kulmat) on suositeltavaa pyyhkiä säännöllisesti pehmeällä liinalla, pehmeällä harjalla tms. ja tarvittaessa yhdistettynä joihinkin apuvälineisiin (kuten ohuisiin varsiin), jotta varmistetaan, ettei näille alueille kerry epäpuhtauksia tai bakteereja.

Pyyhi tuotteen ulkopinta pehmeällä liinalla, joka on kostutettu saippuaveteen, pesuaineeseen tms. ja pyyhi sitten kuivaksi.

Älä käytä kovia harjoja, teräsharjoja, hankausaineita (kuten hammastahnoja), orgaanisia liuottimia (kuten alkoholia, asetonia, isoamyyliasettaattia tms.), kiehuvaa vettä, happamia tai emäksisiä aineita, jotka voivat vahingoittaa jääkaapin pintaa ja sisäosia. Kiehuva vesi ja orgaaniset liuottimet, kuten bentseeni, voivat muuttaa muoviosia tai vahingoittaa niitä.



Älä huuhtelee suoraan vedellä tai muilla nesteillä puhdistuksen aikana, jotta vältät oikosulut tai sähköeristyksen vahingoittumisen.

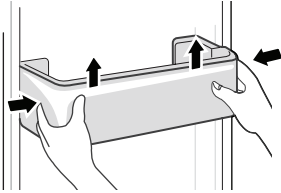
HUOMAUTUS

Anna laitteen käydä jatkuvasti, kun se on käynnistetty. Yleisesti ottaen laitteen toiminnan keskeyttämistä tulee välttää, muuten sen käyttöikä voi lyhentyä.

Ovilokeron puhdistaminen

Purista lokeroa molemmin käsin alla olevan kuvan suuntanuolen mukaisesti ja työnnä sitä ylöspäin, sitten voit vetää sen pois.

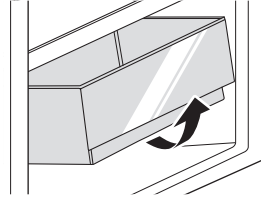
Kun olet pesseyt irrotetun lokeron, voit säätää sen asennuskorkeuden tarpeidesi mukaan.



Vihanneslaatikon puhdistaminen

Poista laatikon sisältö. Tartu vihanneslaatikon kahvaan ja vedä sitä ulos, kunnes se pysähtyy.

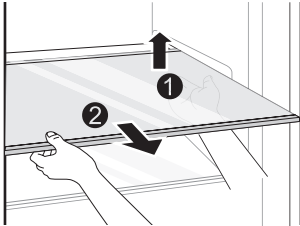
Nosta vihanneslaatikkoa ylöspäin ja poista se vetämällä ulos.



Lasihyllyn puhdistaminen

Koska jääkaapin sisimmässä osassa, hyllyjen kosketuskohdissa on rajoitinlistat, sinun on nostettava hyllyjä ylöspäin, jotta voit vetää ne ulos.

Säädä tai puhdista hyllyt tarpeen mukaan.



HUOMAUTUS

Erot: Teknisten muutosten ja erilaisten mallien vuoksi osa tämän käyttöoppaan kuvista saattaa erota omasta mallistasi.

VIANMÄÄRITYS

Käyttäjät voi ratkaista seuraavat yksinkertaiset ongelmat itse. Jos ongelmat eivät ratkea, ota yhteyttä huoltoliikkeeseen.

Ongelma	Mahdolliset syyt	Ratkaisu
Ei toimi	<ul style="list-style-type: none">Virtalähde ei ole päällä tai pistoketta ei ole liitetty kunnolla.Alhainen jännite, virtakatkos tai virtapiiri on lauennut.	<ul style="list-style-type: none">Työnnä virtapistoke kunnolla liitintään.Tarkista kotisi virtalähde.
Valo ei pala	<ul style="list-style-type: none">Laitetta ei ole liitetty virtalähteeseen.Valo on rikki.	<ul style="list-style-type: none">Irrota virtajohto ja yhdistä uudelleen.Pätevän henkilön on vaihdettava lamppu uuteen.
Hedelmät tai vihannekset ovat jäässä	<ul style="list-style-type: none">Oletko laittanut elintarvikkeet jääkaapin takaosaan? Takaseinän lähellä olevalla alueella lämpötilat ovat kylmimmät.Hedelmät tai vihannekset säilytetään Fresh-alueella.	<ul style="list-style-type: none">Älä laita helposti jäätyviä elintarvikkeita jääkaapin takaosaan.Fresh-alue on vain lihalle/kalalle.
Liiallinen jäähtyminen	<ul style="list-style-type: none">Lämpötilan säätöä ei ole asetettu oikein.	<ul style="list-style-type: none">Aseta lämpötila korkeammaksi.
Kompressorit toimii pitkään	<ul style="list-style-type: none">Korkea ympäristön lämpötila aiheuttaa pitkän toiminta-ajan.On laitettu liian paljon elintarvikkeita kerralla.Elintarvikkeet laitettiin sisälle ennen kuin ne olivat jäähtyneet.Ovea on avattu liian usein.Sisällä oleva huurrekerros on liian paksu.	<ul style="list-style-type: none">Tämä on normaalia.Älä laita liian paljon elintarvikkeita kerralla.Odota elintarvikkeiden jäähtymistä ennen kuin laitat ne sisälle.Älä avaa ovea liian usein.Vaatii sulatusta.
Ovi ei sulkeudu kunnolla	<ul style="list-style-type: none">Ovi juuttuu tavaroiden takia.Liian paljon elintarvikkeita.Oven tiiviste epämuodostunut.	<ul style="list-style-type: none">Sijoita laite vakaasti.Älä laita liian paljon elintarvikkeita.Lämmitä oven tiivistettä ja jäähdytä se kimmoisuuden palauttamiseksi (käytä sähköpuhallinta tai kuumaa vettä lämmittämiseen).
Ulkoseinä on kuuma	<ul style="list-style-type: none">Kun laite on toiminnassa, lämpöä haihtuu ulos kaapin sisällä olevien metalliputkien kautta.Korkeammat ympäristön lämpötilat kesällä nostavat ulkoseinän lämpötilaa.	<ul style="list-style-type: none">Ulkoseinä korkeampi lämpötila on normaalia.Lisää lämmön haihtumistilaa tai aseta laite ilmastoituun ja viileään paikkaan.
Poikkittaiset tai pystysuorat palkit ovat kuumia	<ul style="list-style-type: none">Palkkien sisällä on metalliputkia, ja putkista vapautuva lämpö estää kondenssin muodostumisen.	<ul style="list-style-type: none">Tämä on normaalia.
Hajut	<ul style="list-style-type: none">Pilaantuneet elintarvikkeet.Voimakkaan hajuiset elintarvikkeet.Kaapin sisätila on likainen.	<ul style="list-style-type: none">Puhdista ja poista kaikki pilaantuneet elintarvikkeet.Varmista, että voimakkaasti tuoksuavat elintarvikkeet on pakattu ilmatiiviisti.Puhdista kaapin sisätila.
Kondensaatiota muodostuu ulkopintaan	<ul style="list-style-type: none">Kondensaatiota voi muodostua, kun huoneen kosteus on korkea.	<ul style="list-style-type: none">Tämä on normaalia. Pyyhi kondenssivesi pois kuivalla liinalla.
Kondensaatiota muodostuu jääkaapin ja laatikoiden sisäpuolelle	<ul style="list-style-type: none">Jääkaapissa ylläpidetään korkeaa ilmakesteyttä, jotta vihannekset ja muut elintarvikkeet pysyvät tuoreina.Huoneen ilmakesteyden on liian korkea ja ovi on avattu usein.Oven tiiviste ei ole tiivis.	<ul style="list-style-type: none">Pyyhi kondenssivesi pois kuivalla liinalla.Älä avaa ovea niin usein tai pidä sitä auki liian kauan.Tarkista oven tiiviste, puhdista tai korjaa sijainti.

Jääkaapin normaalin käytön aikana voi kuulua tiettyjä ääniä, jotka eivät vaikuta sen oikeaan toimintaan.

Äänet, jotka voidaan helposti estää:

- > Melu, joka johtuu siitä, että laite ei ole vaakasuorassa – säädä asento käännettävillä etujaloilla. Vaihtoehtoisesti aseta pehmeästä materiaalista valmistetut tyynyt takarullien alle, erityisesti jos laite asetetaan laattojen päälle.
- > Viereisen huonekalun koskettaminen – siirrä jääkaappi kauemmas.
- > Laatikoiden tai hyllyjen narina – ota laatikko tai hylly ulos ja laita se takaisin.
- > Pullojen kiilin äänet – siirrä pullot erilleen.

Normaalin käytön aikana kuuluvat äänet johtuvat pääasiassa kompressorin toiminnasta (kytkeytyminen päälle) ja jäähdytysjärjestelmän toiminnasta (jäähdytysaineen virtauksen aiheuttama jäähdyttimen lämpölaajeneminen ja supistuminen).

Erityisesti uutta eurooppalaista standardia varten

Seuraavan taulukon tilattavat osat ovat saatavissa huoltoliikkeen kautta.

Tilattava osa	Toimittaja	Toimitukseen tarvittava vähimmäisaika
Termostaatit	Ammattitaitoinen huoltohenkilöstö	Vähintään 7 vuotta siitä, kun viimeinen malli on tuotu markkinoille
Lämpötila-anturit	Ammattitaitoinen huoltohenkilöstö	Vähintään 7 vuotta siitä, kun viimeinen malli on tuotu markkinoille
Painetut piirilevyt	Ammattitaitoinen huoltohenkilöstö	Vähintään 7 vuotta siitä, kun viimeinen malli on tuotu markkinoille
Valonlähteet	Ammattitaitoinen huoltohenkilöstö	Vähintään 7 vuotta siitä, kun viimeinen malli on tuotu markkinoille
Ovenkahvat	Ammattimaiset korjaajat ja loppukäyttäjät	Vähintään 7 vuotta siitä, kun viimeinen malli on tuotu markkinoille
Oven saranat	Ammattimaiset korjaajat ja loppukäyttäjät	Vähintään 7 vuotta siitä, kun viimeinen malli on tuotu markkinoille
Lokerot	Ammattimaiset korjaajat ja loppukäyttäjät	Vähintään 7 vuotta siitä, kun viimeinen malli on tuotu markkinoille
Korit	Ammattimaiset korjaajat ja loppukäyttäjät	Vähintään 7 vuotta siitä, kun viimeinen malli on tuotu markkinoille
Oven tiivisteet	Ammattimaiset korjaajat ja loppukäyttäjät	Vähintään 10 vuotta siitä, kun viimeinen malli on tuotu markkinoille

HUOMAUTUS

Tuotetietokannan mallitiedot sekä mallitunnuksen saa verkkolinkistä, joka avautuu tuotteen energiamerkinässä olevalla QR-koodilla, jos sellainen on.

Lisätietoja laitteen energiatehokkuudesta saat osoitteesta <https://eprel.ec.europa.eu> ja tekemällä haun mallinimellä. Mallinimi löytyy laitteen arvokilvestä.

Tekniset tiedot:

Malli: PORFI177DDN

Ilmastoluokka: SN/N/ST/T

Nimellisjännite: 220-240 V~

Nimellistaajuus: 50 Hz

Kylmäaine: R600a (37 g)

Melu: 35 dB (B-luokka)

Power International AS,
PO Box 523, N-1471 Lørenskog, Norway

Power Norjassa:
<https://www.power.no/kundeservice/>
P: 21 00 40 00

Power Tanskassa:
<https://www.power.dk/kundeservice/>
P: 70 33 80 80

Punkt 1 Tanskassa:
<https://www.punkt1.dk/kundeservice/>
P: 70 70 17 07





Power Suomessa:
<https://www.power.fi/tuki/asiakaspalvelu/>
P: 0305 0305

Power Ruotsissa:
<https://www.power.se/kundeservice/>
P: 08 517 66 000

Læs følgende råd om sikkerhed, før du tænder apparatet første gang!

- > Apparatet er beregnet til husholdningsbrug eller lignende anvendelse såsom personalekøkkener i butikker, kontorer og andre arbejdsmiljøer, landbrugsejendomme og af gæster på hoteller, moteller og andre beboelsesejendomme, gæsteboliger og pensionater, cateringvirksomheder og lignende anvendelse uden for detailområdet.
- > Apparatet er ikke beregnet til brug af personer (herunder børn) med nedsatte fysiske, sensoriske eller mentale evner, eller som mangler erfaring og viden, medmindre de er under opsyn eller har modtaget undervisning i brugen af apparatet af en person, der er ansvarlig for deres sikkerhed.

Forklaring af ord og symboler

	FARE Signalordet angiver, at der er fare for personers liv og helbred på grund af ekstremt brandfarlig gas.
	ADVARSEL Signalordet angiver en fare med en mellemhøj risiko, som kan medføre død eller alvorlig personskade, hvis den ikke undgås.
	FORSIGTIG Signalordet angiver en fare med en lav risiko, som kan medføre mindre eller moderat personskade, hvis den ikke undgås.
	OBS Signalordet angiver vigtige oplysninger (såsom om skade på ejendom) men ikke om fare.

VIGTIGT: Vær især opmærksom på beskeder, der indeholder ordene **FARE**, **ADVARSEL** eller **FORSIGTIG**.

Disse ord bruges til at henlede din opmærksomhed på en mulig fare, der kan skade dig og andre alvorligt. Vejledningen beskriver, hvordan du kan reducere risikoen for personskade, og oplyser dig om konsekvenserne ved ikke at følge vejledningen.

OBS! Denne betjeningsvejledning er generel. Dette betyder, at nogle funktioner gælder for dit køleskab, mens andre ikke gør.

Vi udvikler og forbedrer løbende vores apparattyper og modeller. Vi forbeholder os derfor ret til at foretage ændringer af design, udstyr og tilbehør for alle typer og modeller uden forudgående varsel.

VIGTIGE SIKKERHEDSANVISNINGER

LÆS OG GEM ANVISNINGERNE!



ADVARSEL: Risiko for brand/brændbare materialer

Kølemidlet og cyklopentan-skummetallet, der anvendes i apparatet, er brændbare. Når apparatet kasseres, skal det derfor holdes væk fra brandkilder og genindvindes af en speciel genindvindingsvirksomhed med relevante kvalifikationer. Det må ikke bortskaffes ved forbrænding for at undgå skade på miljøet eller anden skade.

ADVARSEL

Generel sikkerhed

- > Børn skal være under opsyn for at sikre, at de ikke leger med apparatet.
- > Hvis ledningen beskadiges, skal den udskiftes af producenten eller dennes servicetekniker eller en tilsvarende kvalificeret person, så der ikke opstår farlige situationer.
- > Opbevar ikke eksplosive materialer såsom aerosoldåser med brændbar drivgas i apparatet.
- > Træk ledningen til apparatet ud af stikkontakten før brugervedligeholdelse på apparatet.
- > **ADVARSEL:** Sørg for at holde ventilationsåbninger på apparatet eller i indbygningselementer fri for forhindringer.
- > **ADVARSEL:** Brug ikke mekaniske redskaber eller andre midler til at fremskynde afrimningen, medmindre de er anbefalet af producenten.
- > **ADVARSEL:** Undgå at beskadige kredsløbet til kølemiddel.
- > **ADVARSEL:** Brug ikke elektriske apparater i rummene til opbevaring af madvarer i apparatet, medmindre de er af en type, der er anbefalet af producenten.
- > **ADVARSEL:** Bortskaf køleskabet i henhold til lokale bestemmelser, da det indeholder brændbar gas og brændbart kølemiddel.
- > **ADVARSEL:** Sørg for, at ledningen ikke kommer i klemme eller beskadiges, når du placerer apparatet.
- > **ADVARSEL:** Placer ikke stikdåser med flere stik eller bærbare strømforsyninger bag apparatet.
- > Brug ikke forlængerledninger eller adaptere uden jordforbindelse (to ben).
- > Apparatet skal fastgøres i henhold til vejledningen for at undgå fare på grund af ustabilitet.
- > Køleskabet skal afbrydes fra strømforsyningen, før der installeres tilbehør. Sørg for, at ledningen ikke klemmes af køleskabet. Træd ikke på ledningen.

FORSIGTIG

Daglig brug

- > Træk ikke i ledningen til køleskabet, når du trækker stikket ud af stikkontakten. Hold fast i stikket, og træk det direkte ud af stikkontakten.
 - > Gør ikke skade på ledningen, og brug ikke en beskadiget eller slidt ledning af sikkerhedsmæssige årsager.
 - > Brug en separat stikkontakt, der ikke deles med andre elektriske apparater.
 - > Forbindelsen mellem stikket og stikkontakten skal være ordentlig. Ellers kan der opstå brand.
 - > Kontrollér, at stikkontaktens jordledningselektrode er udstyret med en pålidelig jordforbindelsesledning.
 - > Hvis du lugter gas eller andre brandfarlige gasser, skal du straks lukke for gastilførselsventilen og åbne døre og vinduer for at ventilere området.
 - > I tilfælde af en gaslækage må du ikke trække stikket til køleskabet ud eller betjene nogen elektriske kontakter; gnisten kan antænde gassen og forårsage en brand.
 - > Brug ikke elapparater oven på køleskabet, medmindre de er af en type, der anbefales af producenten.
 - > Mellemrummet mellem køleskabsdørene og kabinettet er lille. Stik ikke din hånd ind i disse mellemrum for at undgå at klemme fingrene. Vær forsigtig, når du lukker køleskabsdøren for at undgå, at genstande falder ned.
 - > Lad ikke børn kravle ind i eller op på køleskabet. Det kan medføre kvælning eller skade på barnet ved fald.
 - > Placér ikke tunge genstande oven på køleskabet, da de kan falde ned og forårsage personskade ved et uheld, når døren åbnes eller lukkes.
 - > Læg ikke brandfarlige, eksplosive, ustabile og stærkt ætsende genstande i køleskabet for at forhindre skader på køleskabet eller brand.
- > Placer ikke brandfarlige genstande i nærheden af køleskabet for at undgå brand.
 - > Køleskabet er beregnet til husholdningsbrug såsom opbevaring af mad. Det må ikke bruges til andre formål såsom opbevaring af blod, medicin, biologiske produkter osv.

ADVARSEL

For EU-standard:

Apparatet må bruges af børn på 8 år eller derover og personer med reducerede fysiske, sensoriske eller mentale evner, eller som mangler erfaring og viden, hvis de er under opsyn eller har modtaget undervisning i sikker brug af apparatet og forstår de involverede farer. Børn må ikke lege med apparatet. Børn må kun udføre rengøring og brugervedligeholdelse under opsyn.

Overhold følgende anvisninger for at undgå forurening af madvarer:

- Åbning af låget i længere perioder kan medføre en betydelig forøgelse af temperaturen i apparatets rum.
- Rengør regelmæssigt overflader, der kan komme i kontakt med madvarer, og tilgængelige afløbssystemer.
- Rengør vandbeholdere, hvis de ikke har været anvendt i 48 timer. Skyl vandsystemet tilsluttet en vandforsyning, hvis der ikke er tappet vand i fem dage. **(Bemærkning 1)(*)**
- Opbevar råt kød og fisk i egnede beholdere i køleskabet for at undgå kontakt med eller dryp på andre madvarer.
- Rum med to stjerner til frosne madvarer er egnede til opbevaring af allerede frosne madvarer, opbevaring eller tilberedning af is og frysning af isterninger. **(Bemærkning 2)(*)**
- Rum med henholdsvis en, to eller tre stjerner er ikke egnede til indfrysning af friske madvarer. **(Bemærkning 3)(*)**
- Hvad angår apparater uden et rum med 4 stjerner: Køleskabet er ikke egnet til nedfrysning af madvarer. **(Bemærkning 4)(*)**
- Hvis apparatet står tomt i en længere periode, skal du slukke apparatet, afrime, rengøre og aftørre apparatet samt lade låget stå åbent for at forhindre dannelse af mug i apparatet.

Bemærkning 1, 2, 3, 4: Kontrollér, om dette gælder for rumtypen i dit produkt.

(*): Funktionen varierer afhængigt af den købte model.



Symbolet "4 stjerner": Fryserum på -18 °C eller koldere. Rummet kan bruges til hurtig nedfrysning af en vis mængde madvarer.



Symbolet "3 stjerner": Fryserum på -18 °C eller koldere.



Symbolet "2 stjerner": Fryserum på -12 °C eller koldere.



Symbolet "1 stjerne": Fryserum med en måltemperatur og opbevaringsforhold på -6 °C.

FORSIGTIG

Det anbefales ikke at bruge produktet med stikkontakter eller hovedafbryder med beskyttelse mod brand/elektrisk stød (AFCI/GFCI-funktion). Ellers kan det medføre fejlagtig udløsning af beskyttelsen.

1. Udløsning udgør ingen sikkerhedsrisiko.
2. Hvis udløsningen fortsætter, anbefales det af udskifte stikkontakterne eller hovedafbryderen til en version uden AFCI/GFCI-beskyttelse.

ADVARSEL

Risiko for indespærring af børn. Før du kasserer din gamle køler:

- > Fjern alle døre.
- > Lad hyldeerne sidde for at gøre det svært for børn at kravle ind i køleren.

MILJØBESKYTTELSE

Bortskaffelse af gamle elektriske enheder på en miljøvenlig måde



Symbolet med en overstreget skraldespand angiver, at affald af elektrisk og elektronisk udstyr (WEEE) skal bortskaffes adskilt fra almindeligt husholdningsaffald.

Gamle elektriske produkter kan indeholde farlige stoffer, så når du bortskaffer dit gamle apparat på korrekt vis, hjælper du med at forhindre mulige negative konsekvenser for miljøet og menneskers sundhed. Dit gamle apparat kan indeholde genanvendelige dele, der kan bruges til at reparere andre produkter, og andre værdifulde materialer, der kan genbruges og derved bevare begrænsede ressourcer.

Oplysninger om emballage



Produktets emballage er fremstillet af materialer, der kan genbruges i overensstemmelse med vores nationale miljøbestemmelser. Bortskaf ikke emballagen sammen med almindeligt husholdningsaffald eller andet affald. Aflever emballagen til et indsamlingssted for emballage udpeget af de lokale myndigheder.

FORSIGTIG

Kølemidlet og cyklopentan-skummet, der anvendes i apparatet, er brændbare. Når køleskabet kasseres, skal det derfor holdes væk fra brandkilder og genindvindes af en speciel genindvindingsvirksomhed med relevante kvalifikationer. Det må ikke bortskaffes ved forbrænding for at undgå skade på miljøet eller anden skade.

INSTALLATIONSVEJLEDNING

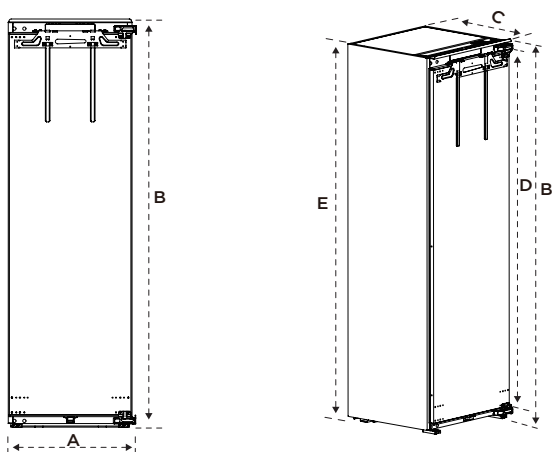
Før første brug

Fjern den udvendige og indvendige emballage. Tør køleskabet grundigt af udvendigt med en blød, tør klud og indvendigt med en våd, lunken klud.

Kontrollér, at spændingen på typeskiltet på apparatet svarer til spændingen i din bolig, før du slutter køleskabet til strømforsyningen. En anden spænding kan beskadige apparatet.

Apparatet skal tilsluttes jordforbindelse. Producenten er ikke ansvarlig for eventuelle skader, der opstår som følge af brug uden jordforbindelse.

Diagram over pladskrav



A	B	C	D	E
557	1785	550	1676	1770

Bemærk: Alle mål er i mm

Rumtemperatur

Køleskabet er beregnet til brug i et temperaturinterval som angivet i følgende tabel, afhængigt af klimaklasse.

Produktet fungerer muligvis ikke korrekt ved temperaturer uden for det angivne interval.

Du kan finde klimaklassen på produktets mærkat.

Klimaklasse	Rumtemperatur
SN	+10 °C til +32 °C
N	+16 °C til +32 °C
ST	+16 °C til +38 °C
T	+16 °C til +43 °C

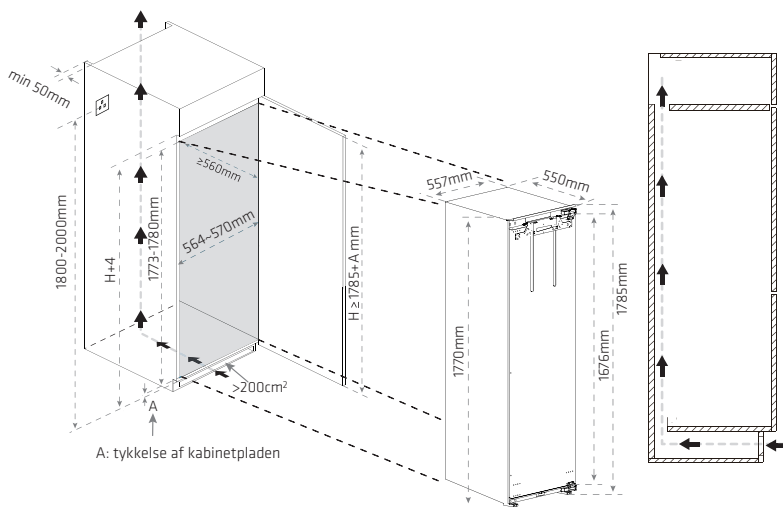
Ret henvendelse til sælgeren, vores kundeservice eller til det nærmeste autoriserede servicecenter, hvis du har spørgsmål om installationen.



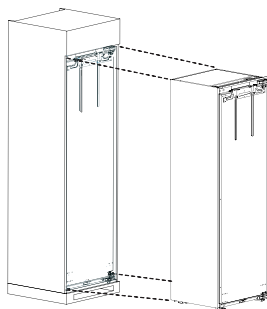
Køledelen og energiforbruget for køleskabet kan muligvis påvirkes af rumtemperaturen, hyppig åbning af døren og køleskabets placering. Vi anbefaler at justere temperaturindstillingen efter behov.

Installation i kabinnet

Krav til kabinestørrelse. (Fodpanelet og bagsiden af kabinettet skal være forsynet med en gennemgående varmeafledningskanal.)

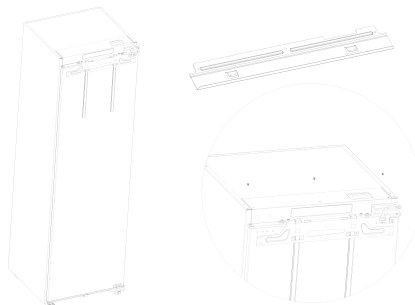


Køleskabet installeres i kabinettet som følger:



Montering af det øverste luftspjæld

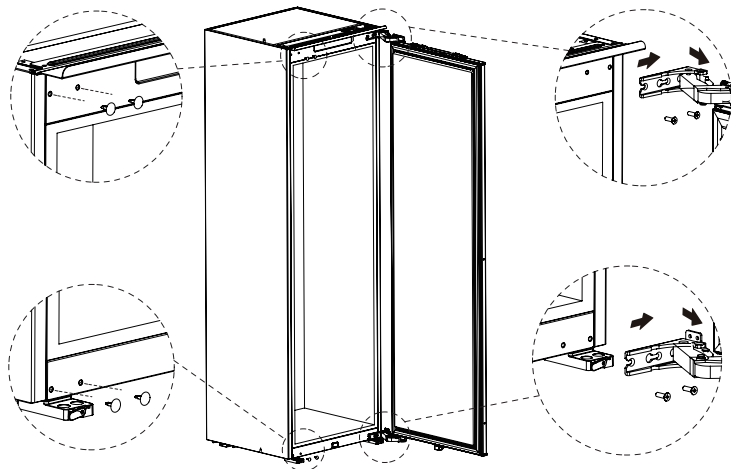
Tag det øverste luftspjæld ud, fjern emballageposen; Saml det øverste luftspjæld i den viste position og fastgør den med 3 skruer.



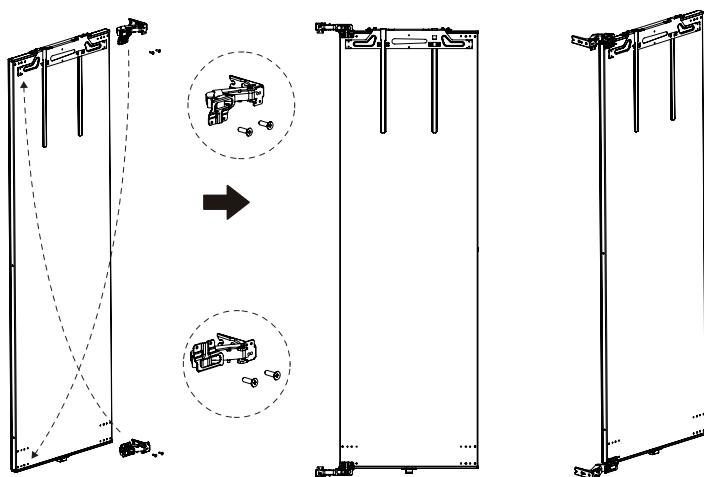
Vending af døre

Køleskabets døråbningsretning er som standard højrehåndet. Hvis du vil ændre den til venstrehåndet, skal du følge disse trin:

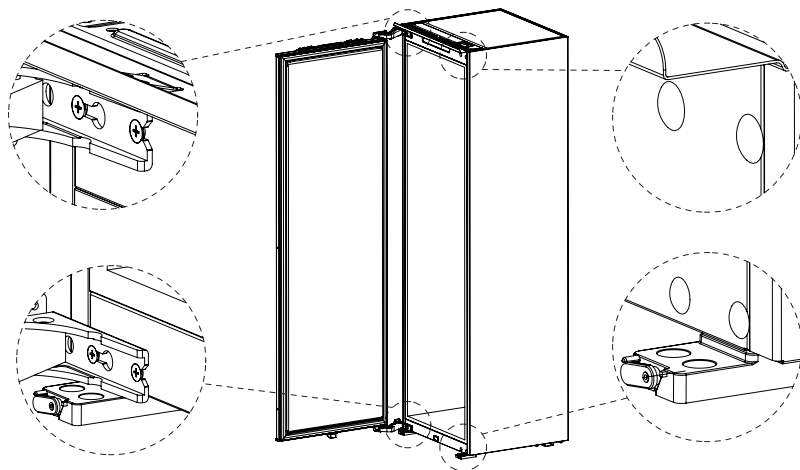
1. Åbn døren, og træk stifterne ud af de øverste og nederste bjælker.
2. Fjern hængselsskruerne, og fjern derefter døren forsigtigt, da den er for tung.



3. Fjern de øverste og nederste hængsler på døren, og fastgør derefter hængslerne til døren, efter at du har vendt deres positioner.



4. Monter døren tilbage på kabinettet og fastgør den med skruer. Sæt derefter stifterne i hængselsskrueløbet på højre side. Dørvendingen er nu færdig.



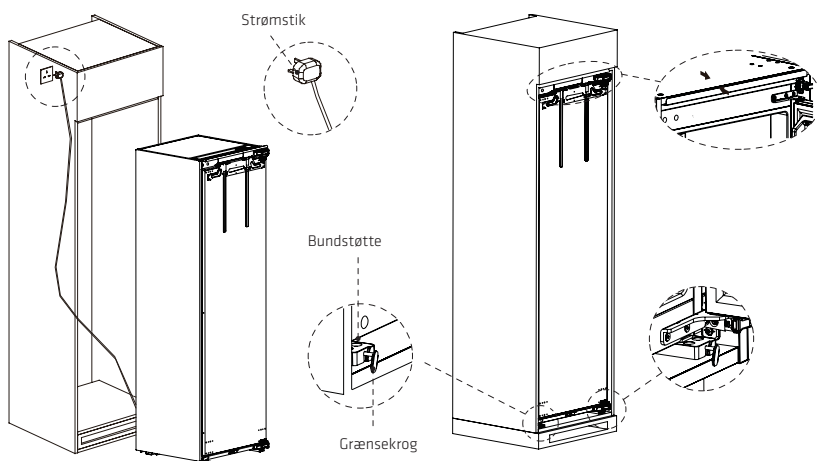
5. Placering af køleskabet i kabinettet.

- > Pak køleskabet ud, og tag monteringsudstyret ud af køleskabsdøren.

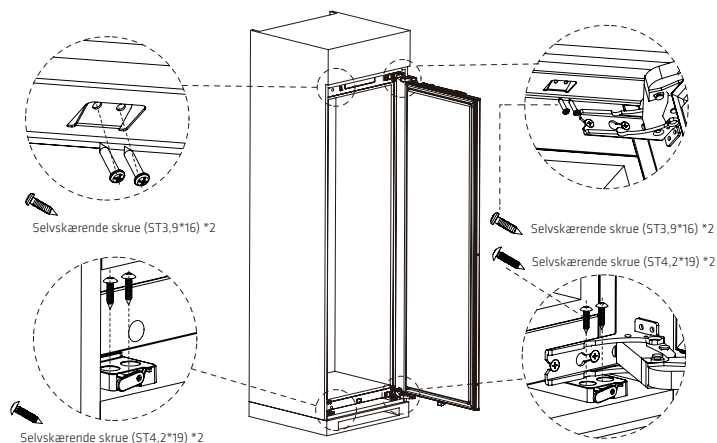


-  Døråbningens sidebeslag*2
-  Dæksel til døråbningens sidebeslag*2
-  Hængslets sidebeslag*2
-  Dæksel til hængslets sidebeslag*2
-  Dæksel til topafskærmning*2
-  Tætningsliste*1
-  Dekorativt dæksel på toppen af døren*1
-  Dæksel til bundstøtte*4
-  Dekorativt dæksel til hængsel*2
-  Selvskærende skrue (ST4,2*13)*14
-  Selvskærende skrue (ST4,2*19)*4
-  Selvskærende skrue (ST3,9*16)*4
-  Selvskærende skrue (ST2,9*11)*8

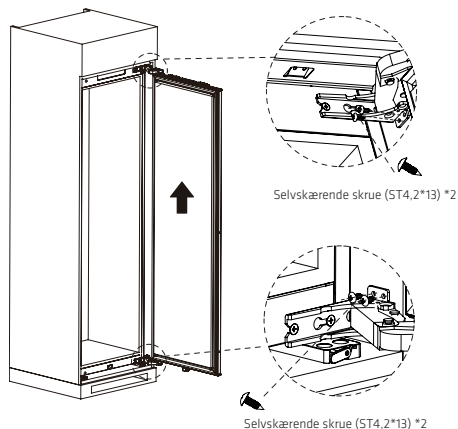
- > Luk køleskabsdøren, tag strømkablet ud, og sæt det i stikkontakten eller gennem kabelhullet i kabinettet.



- > Når køleskabet er flyttet en vis afstand ind i kabinettet, skal du åbne begrænsningskrogen i den nederste del af køleskabet, justere køleskabet, så det er tæt på skabet på siden af køleskabets hængsel, og den øverste afskærmningsflange er i kontakt med kabinettets kant og støttebegrænsningskrogene på kabinettets nederste kant. Vær opmærksom på ikke at klemme strømkablet under betjeningen.
- > Fastgør den nederste støtte med ST4.2*19 skruer og den øverste afskærmning med ST3.9*16 skruer til trækabinettet. Under fastgørelsesprocessen er det nødvendigt at sikre, at køleskabet ikke har nogen afbøjning.

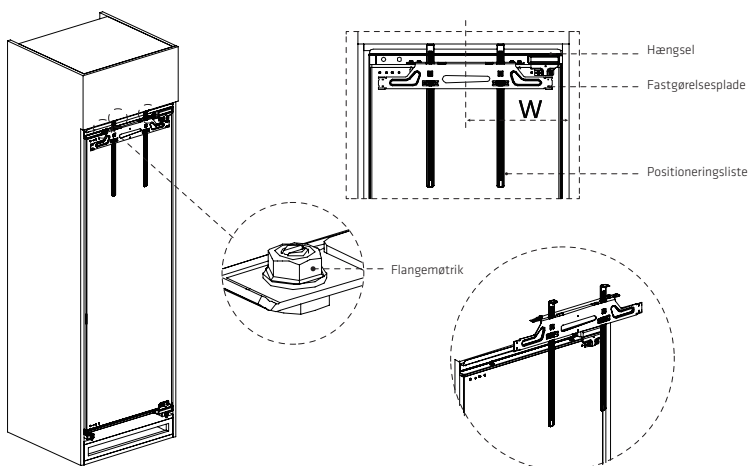


- > Åbn køleskabsdøren, fastgør hængslerne med ST4.2*13 skruer til kabinettets sidepanel. Fortsæt med at trække døren op under skruefastgørelsesprocessen.



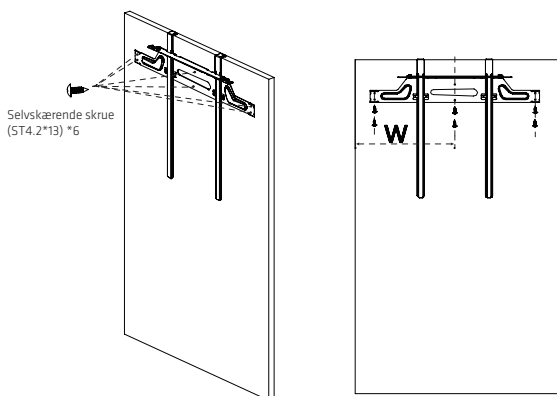
6. Montering af kabinettets dør.

- > Luk køleskabsdøren, tag positioneringslisten ud af køleskabet, og fastgør det til den øverste ende af kabinettet. Juster fastgørelsespladen, så den er centreret, og mål afstanden (W) mellem midten af det midterste fastgørelseshul og kabinettets sidekant. Hold positioneringsklipsens position uændret; løsne fastgørelsespladens flangemøtrikker, og fjern fastgørelsespladen og positioneringslisten.

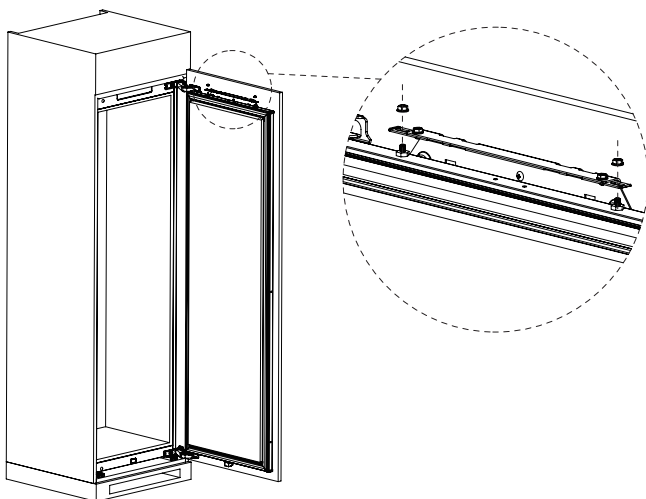


- > Vend kabinetdøren, lad positioneringslisten klæbe til den øverste ende af trædøren, så fastgørelsespladen fastgøres til bagsiden af møblets dørpanel.

Juster fastgørelsespladen, indtil afstanden mellem dens midterlinje og sidekanten af trædøren er W, og fastgør den derefter med ST4.2*13 skruer. Fjern positioneringslisten efter installationen.

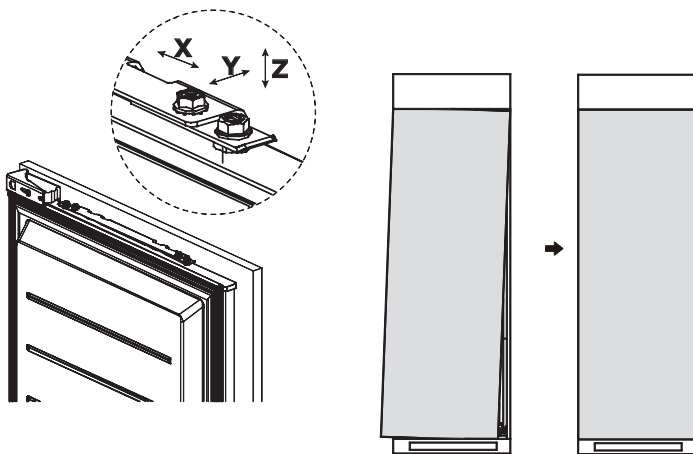


- > Placer kabinetdøren på køleskabets dørstang, luk derefter døren for at kontrollere fastgørelsen mellem trædøren og kabinettet, og fastgør den med flangemøtrikker, når du har kontrolleret, at den lukker korrekt.

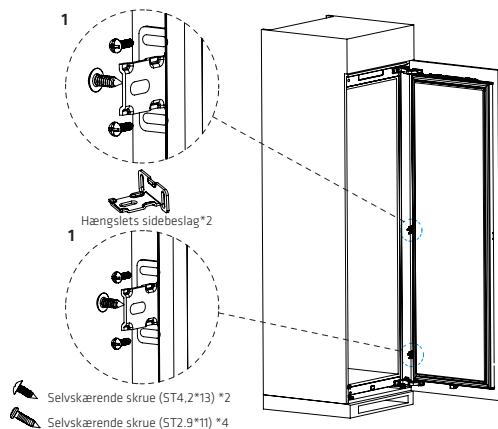


- > Hvis kabinetdøren er skæv, skal du justere kabinetdøren ved at følge instruktionerne nedenfor:
 - Juster højden (Z) (ca. 5 mm) ved at justere møtrikkerne på boltene med en skruenøgle.
 - Løsn flangemøtrikkerne let, flyt døren til venstre og højre for at justere dens position (X) (ca. 5 mm), og fastgør flangemøtrikkerne, når den er justeret til den rigtige position.

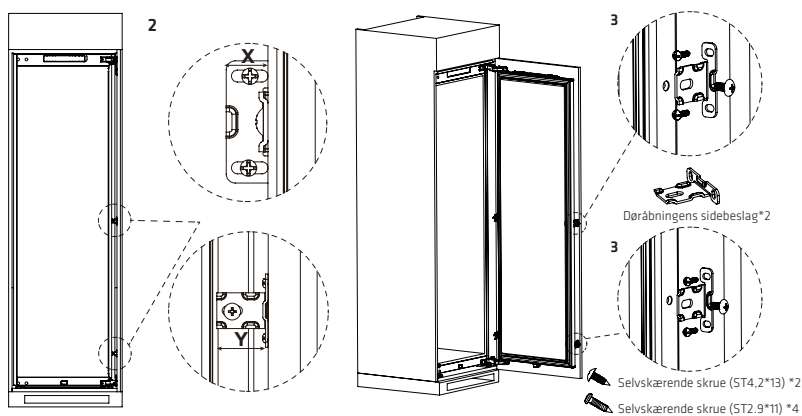
- Løsn de krydsformede sekskantskruer let, flyt dørkarmen frem og tilbage for at justere den forreste og bageste position (Y) (ca. 5 mm), og stram den krydsformede sekskantskrue, når den er justeret til den rigtige position.



- > Fastgør køleskabsdøren til kabinetdøren med sidebeslaget.
- > Fastgør først hængselsidestøtten, så kabinetdøren kan justeres til den korrekte position.



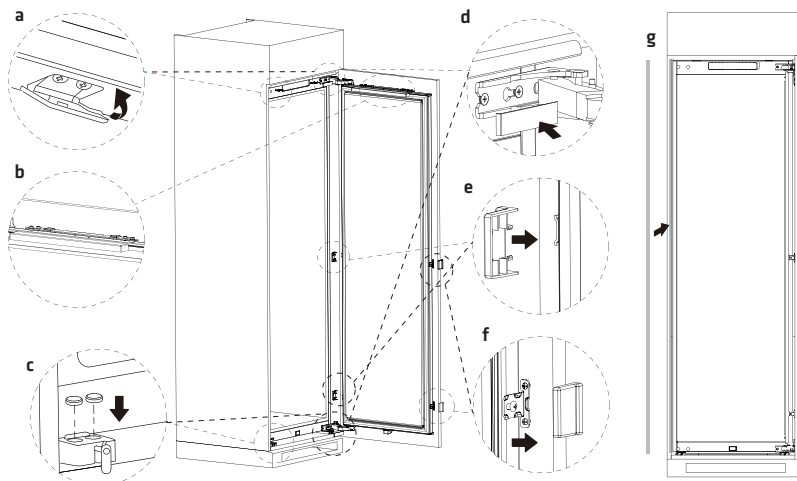
- > Hvis den nederste del af kabinetdøren er skæv, skal du justere kabinetdøren ved at følge nedenstående instruktioner:
 - Løsn let sidestøtteskruerne (ST2.9*11), flyt døren mod venstre og højre for at justere dens position (X) (ca. 5 mm), og spænd flangemøtrikkerne, når den er justeret til den korrekte position.
 - Løsn let skruerne på sidebeslaget (ST4.2*13), flyt døren frem og tilbage for at justere den forreste og bageste position (Y) (ca. 5 mm), og stram derefter skruerne igen, når den er justeret til den rigtige position.



> Når kabinetdøren er justeret til den korrekte position, fastgøres døråbningens sidebeslag.

7. Afslutning af monteringen.

- | | |
|--|--|
| a. Monter det øverste afskærmningsdæksel | b. Monter dørens dekorative dæksel |
| c. Monter det nederste støttedæksel | d. Monter hængslets dekorative dæksel |
| e. Monter hængslets sidebeslagsdæksel | f. Monter døråbningens sidebeslagsdæksel |
| g. Monter tætningslisten | |



Udskiftning af lys

Udskiftning eller vedligeholdelse af LED-lysene skal foretages af producenten, dennes serviceagent eller lignende kvalificeret person.

Dette produkt indeholder en lyskilde med energieffektivitetsklasse (F).

Vent 2-3 timer efter tilslutning af ledningen (eller stikket) til stikkontakten, før du lægger madvarer i apparatet. Din mad kan fordærves, hvis du lægger den i apparatet, før det er helt afkølet.

Flytning af apparatet

1. Fjern alle genstande fra apparatet.
2. Træk stikket ud af stikkontakten, og ret det.
3. Sæt tape på dele såsom hylder og døren for at forhindre, at de falder af under flytningen af apparatet.
4. Lad to personer flytte apparatet forsigtigt. Lad apparatet stå oprejst under transport over længere afstand.

Energisparetips

Placer ikke apparatet i nærheden af komfurer, radiatorer eller andre varmekilder. Hvis rumtemperaturen er høj, kører kompressoren oftere og længere, hvilket øger energiforbruget.

Sørg for tilstrækkelig ventilation ved foden af apparatet, på siderne og på bagsiden af apparatet. Overhold også pladskravene i afsnittet "Installation". Den viste placering af skuffer, hylder og bakker i produktoversigten giver det meste effektive energiforbrug og skal bevares mest muligt.

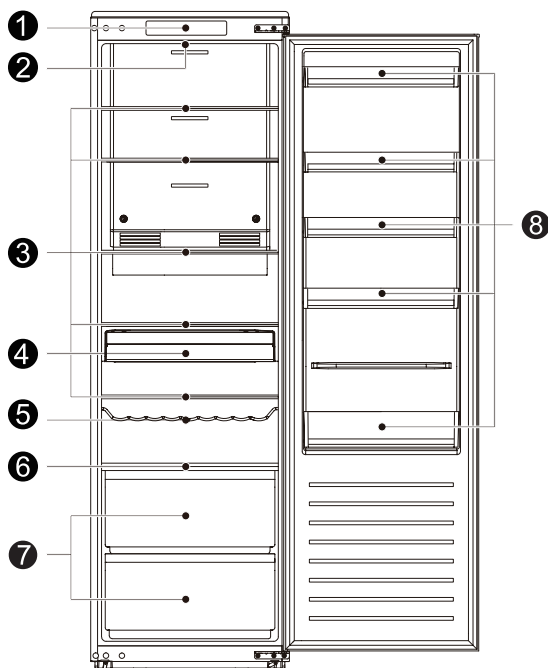
For at få mere opbevaringsplads (f.eks. til store køle-/frysevarer) kan de midterste skuffer og hylder fjernes. De øverste og nederste skuffer og hylder skal om nødvendigt fjernes sidst.

Et jævnt fyldt rum bidrager til optimal energianvendelse.

Lad varm mad køle af, før du sætter den i rummet. Mad, der allerede er afkølet, øger energieffektiviteten. Optø frosen mad i kølerummet. Kulden fra den frosne mad reducerer energiforbruget i kølerummet og øger dermed energieffektiviteten. Åbn ikke døren mere end højst nødvendigt for at minimere udstrømningen af kold luft. Energiforbruget reduceres ved kun at åbne døren kortvarigt og lukke den ordentligt igen. Indstilling af en temperatur, der ikke er lavere end nødvendigt, bidrager til et optimalt energiforbrug. Dørpakningerne på dit apparat skal være fuldstændig intakte, så døren passer perfekt, og energiforbruget ikke øges unødvendigt.

PRODUKTBEKRIVELSE

Dele og funktioner



1 Kontrolpanel til temperatur

2 LED-belysning

3 Hylde

4 Opbevaringsboks

5 Vinhylde

6 Dæksel til skuffe til frugt og grøntsager

7 Skuffe til frugt og grøntsager

8 Dørbakke

- > For at opnå det mest effektive energiforbrug skal du lade alle indvendige genstande såsom bækker, skuffer og hylder sidde, hvor producenten har anbragt dem.

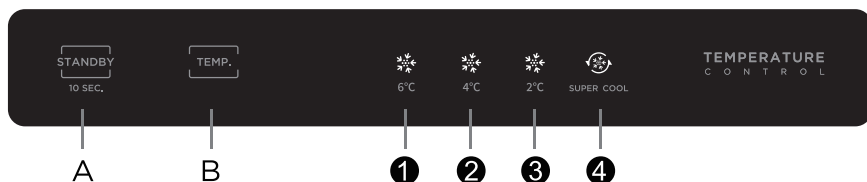


Forskel: Nogle af illustrationerne i vejledningen kan variere fra din model på grund af tekniske ændringer og forskelle modellerne imellem.

BETJENINGSVEJLEDNING

Brug og funktioner

Kontrolpanel



Knap

A Standby-knap

B Knap til indstilling af temperatur

Display

1 Indstilling 1: indstillingstemperaturen er **6 °C**

3 Indstilling 3: indstillingstemperaturen er **2 °C**

2 Indstilling 2: indstillingstemperaturen er **4 °C**

4 Indstilling 4: **Superkøling**

Display

Når der tændes for første gang, vises displayet i 3 sekunder, mens startklokken ringer, og derefter går displayet over til normal drift. (Køleskabets temperatur er indstillet til 2, hvilket betyder **4 °C**, når det tændes for første gang).

Fejlkode vises, når der er en fejl (cyklisk visning). Den indstillede temperatur i kølerummet vises, når der ikke er nogen fejl.

Når køleskabsdøren er åben, lyser displayet, og det slukkes inden for 30 sekunder efter, at døren er lukket. Hvis displayet er slukket, skal du trykke på en vilkårlig tast, så lyser displayet og kan derefter justeres.

Fejlkode	Beskrivelse af fejlen
LED'en "1" og LED'en "2" er tændt	Sensorkredsløb for køletemperatur
LED'en "1" og LED'en "3" er tændt	Sensor for køl og afrimning
LED'en "2" og LED'en "4" er tændt	Kommunikationsfejl
LED'en "1" og LED'en "4" er tændt	Sensor for omgivende temperatur

Låsning og oplåsning

Ingen låse- eller oplåsningfunktion.

Indstillingen træder i kraft 15 sekunder efter, at der ikke er foretaget nogen handling.



Det faktiske kontrolpanel kan variere efter model.

Indstilling af gear

Hver gang du trykker på knappen, skifter gearret én gang. Efter at have indstillet gearret i 15 sekunder, kører køleskabet i henhold til den indstillede værdi.

Anbefalet indstillingstemperatur: køleskab 4 °C;



Betjening af døråbningsadvarsel og alarmkontrol

Når køleskabsdøren har været åben i 120 sekunder, lyder der en alarm, indtil køleskabsdøren lukkes, eller indtil du trykker på en vilkårlig tast for at annullere alarmer.

Standbytilstand

Hold standby-knappen nede i 10 sekunder for at gå i standbytilstand. Køleskabet stopper med at fungere, og displayet slukker. I standbytilstand skal du holde standby-knappen nede i 10 sekunder for at genoprette normal styring.

Tilstanden Superkøling

Aktivering af tilstanden: I andre tilstande skal du trykke på knappen **"TEMP."**, indtil ikonet "❄️" lyser.

Afslutning af tilstanden: I tilstanden Superkøling afsluttes denne tilstand automatisk efter 360 minutters drift eller ved at trykke på temperaturindstillingsknappen.

Opbevaring af mad

Kølerum

Læg aldrig væske i åbne beholdere i kølerummet for at reducere fugtighed og efterfølgende isdannelser. Frost har en tendens til at koncentrere sig om de koldeste dele af fordampere. Opbevaring af ikke-tildækkede væsker medfører et hyppigere behov for afrimning.

Læg aldrig varm mad i kølerummet. Lad først madvarerne køle af ved rumtemperatur, og placér dem derefter, så der sikres tilstrækkelig luftcirkulation i kølerummet.

Madvarer eller beholdere med madvarer bør ikke røre ved bagvæggen i køleskabet, fordi de kan fryse fast til væggen. Åbn ikke døren til køleskabet regelmæssigt.

Kød og rengjort fisk (pakket i pakke eller plastfolie) kan lægges i kølerummet i 1-2 dage.

Uindpakket frugt og grøntsager kan lægges i området, der er bestemt til frisk frugt og grøntsager.

VEDLIGEHOLDELSE OG RENGØRING

FORSIGTIG

Afbryd apparatet fra strømforsyningen før eventuel rutinemæssig vedligeholdelse. Vent mindst fem minutter, før du igen tænder apparatet, da hyppige starter kan beskadige kompressoren.

Brug ikke mekaniske redskaber eller andre midler til at fremskynde afrimningen, medmindre de er anbefalet af producenten.

Reparér ikke selv, adskil ikke selv, og modificér ikke selv apparatet. Kontakt vores kundeservice ved reparation.

Fjern støvet på bagsiden af enheden mindst én gang om året for at undgå risikoen for brand samt øget energiforbrug.

Kontrollér dørpakningen regelmæssigt for at sikre, at den ikke er snavset. Rengør dørpakningen med en blød klud fugtet med sæbevand eller fortyndet rengøringsmiddel.

Produktet skal rengøres regelmæssigt indvendigt for at undgå lugt.

Brug en blød klud eller svamp til at rengøre produktet indvendigt med en kvart liter varmt vand tilsat to spiseskefulde natron. Skyl derefter med vand og tør efter. Åbn døren efter rengøringen, og lad køleskabet tørre naturligt, før du tænder strømmen.

Hvad angår områder i produktet (såsom vanskeligt tilgængelige steder, hulrum eller hjørner), der er vanskelige at rengøre, anbefales det at tørre dem af regelmæssigt med en blød klud, en blød børste osv. og, om nødvendigt, kombineret med nogle hjælpemidler (såsom en tynd pind) for at sikre, at der ikke er ophobede kontaminanter eller bakterier i områderne.

Tør produktet af udvendigt med en blød klud, der er fugtet med sæbevand, rengøringsmiddel osv., og tør derefter apparatet.

Brug ikke hårde børster, grydesvampe af stål, stålbørster, slibende midler (såsom tandpasta), organiske opløsningsmidler (såsom alkohol, acetone, isoamylacetat osv.), kogende vand, syreholdige eller alkaliske midler, der kan beskadige køleskabets overflade og indre. Kogende vand og organiske opløsningsmidler såsom benzen kan deformere eller beskadige dele af plast.



Skyl ikke direkte med vand eller andre væsker under rengøringen for at undgå kortslutninger eller påvirkning af den elektriske isolering efter nedsækning.



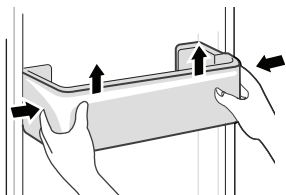
Apparatet skal køre konstant, når det er tændt.

Generelt må driften af apparatet ikke afbrydes. Ellers kan det påvirke levetiden.

Rengøring af dørhylde

Brug begge hænder til at klemme hylden i henhold til pilens retning i figuren nedenfor, og skub hylden opad. Tag den derefter ud.

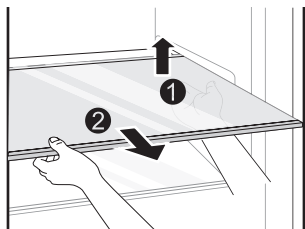
Efter at bakken er taget ud og vasket, kan du justere dens monteringshøjde i overensstemmelse med dine behov.



Rengøring af glashylde

Du skal løfte hylden opad, fordi der bagerst i køleskabets indvendige beklædning findes en stopklods for hylden, for at tage hylden ud.

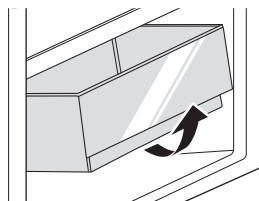
Juster eller rengør hylderne i henhold til dit behov.



Rengøring af grøntsagsskuffe

Fjern indholdet fra skuffen. Tag fat i håndtaget på grøntsagsskuffen, og træk den ud, indtil den stopper.

Løft grøntsagsskuffen op, og træk den ud.



● OBS

Forskel: Nogle af illustrationerne i vejledningen kan variere fra din model på grund af tekniske ændringer og forskelle modellerne imellem.

FEJLFINDING

Følgende mindre problemer kan håndteres af brugeren. Ring til vores serviceafdeling, hvis problemerne ikke kan løses.

Problem	Mulige årsager	Løsning
Apparatet kører ikke	<ul style="list-style-type: none">• Der er ikke tændt for strømmen. Stikket er ikke sat ordentligt i stikkontakten.• Lav spænding, strømafbrydelse, eller sikringen er udløst for en del af kredsløbet.	<ul style="list-style-type: none">• Sæt ledningen i stikkontakten med et fast tryk.• Kontrollér strømforsyningen i boligen.
Lyset tænder ikke	<ul style="list-style-type: none">• Apparatet er ikke tændt.• Lyset er beskadiget.	<ul style="list-style-type: none">• Træk ledningen ud af stikkontakten, og sæt den i igen.• Lampen skal udskiftes af en kvalificeret person med en ny lampe.
Frugt eller grøntsager er frosne	<ul style="list-style-type: none">• Har maden været placeret bagerst i køleskabet? Temperaturen er lavest i området tæt på bagvæggen.• Frugt eller grøntsager opbevares i nulzonen.	<ul style="list-style-type: none">• Placer ikke madvarer, der fryser nemt, bagerst i køleskabsrummet.• Nulzonen er kun til kød/fisk.
Overkøling	<ul style="list-style-type: none">• Temperaturkontrollen er ikke indstillet korrekt.	<ul style="list-style-type: none">• Indstil en højere temperatur.
Kompressoren kører meget længe	<ul style="list-style-type: none">• Høj rumtemperatur kan medføre lang driftstid.• Der er lagt for mange madvarer i på én gang.• Madvarerne er lagt i køleskabet, før de var afkølede.• Døren åbnes for hyppigt.• Rimlaget i køleskabet er for tykt.	<ul style="list-style-type: none">• Dette er normalt.• Læg ikke for mange madvarer i på én gang.• Vent med at lægge madvarerne i køleskabet, indtil de er afkølede.• Åbn ikke døren for hyppigt.• Skal afrimes.
Døren lukker ikke ordentligt	<ul style="list-style-type: none">• Døren sidder fast på grund af snavs.• For mange madvarer i køleskabet.• Dørpakningen er deform.	<ul style="list-style-type: none">• Placér apparatet på en plan overflade.• Læg ikke for mange madvarer i køleskabet.• Opvarm dørpakningen. Afkøl den derefter, så den gendannes (med en elektrisk hårtørrer eller varmt vand til opvarmning).
Ydervæggen er varm	<ul style="list-style-type: none">• Varme afledes til ydersiden via metalrør i kabinettet, når apparatet kører.• Højere rumtemperaturer om sommeren kan forøge temperaturen i ydervæggen.	<ul style="list-style-type: none">• Højere temperatur i ydervæggen er normalt.• Forøg pladsen til varmeafledning, eller placér apparatet i et køligt sted med udluftning.
Tværgående eller lodrette stolper er varme	<ul style="list-style-type: none">• Der er metalrør inde i stolperne, og den varme, der afgives fra rørene, forhindrer kondensdannelse.	<ul style="list-style-type: none">• Dette er normalt.
Køleskabet lugter	<ul style="list-style-type: none">• Fordærvet mad.• Madvarer med stærk lugt.• Det indvendige rum er snavset.	<ul style="list-style-type: none">• Rengør, og fjern eventuel fordærvet mad.• Sørg for at pakke madvarer med stærk lugt i lufttæt indpakning.• Rengør det indvendige rum.
Dannelse af kondens på ydersiden	<ul style="list-style-type: none">• Der kan dannes kondens, når luftfugtigheden i rummet er høj.	<ul style="list-style-type: none">• Dette er normalt. Tør kondensen af med en tør klud.
Der dannes kondens i køleskabet og skufferne	<ul style="list-style-type: none">• Køleskabet opretholder en høj luftfugtighed for at holde grøntsager og andre madvarer friske.• Luftfugtigheden er for høj i rummet, og dørene åbnes hyppigt.• Dørpakningen slutter ikke tæt.	<ul style="list-style-type: none">• Tør kondensen af med en tør klud.• Åbn ikke døren hyppigt, og hold den ikke åben for længe.• Kontrollér dørpakningen. Rengør eller korriger positionen.

Der høres visse lyde under normal brug af køleskabet, som ikke påvirker køleskabets normale drift.

Lyde, der nemt kan undgås:

- > Støj fordi apparatet ikke er i vater – juster positionen ved hjælp af de indstillelige forreste fødder. Eller sæt puder af blødt materiale under de bagerste ruller, især hvor apparatet står på fliser.
- > Køleskabet rører ved et tilstødende møbel – Flyt køleskabet.
- > Skuffer eller hylde knirker – Tag skuffen eller hylde ud, og sæt den tilbage.
- > Klirrende flasker – Flyt flaskerne, så de ikke rører ved hinanden.

Lyde, der høres under normal brug, skyldes hovedsageligt kørsel af kompressoren (slår til) og kølesystemet (termisk udvidelse og sammentrækning af radiatoren forårsaget af gennemstrømningen af kølemiddel).

Specielt for ny europæisk standard

Reservedelene i følgende tabel kan bestilles gennem vores serviceudbyderkanal.

Reservedel	Leveret af	Minimumsleveringstid
Termostater	Professionelt servicepersonale	Mindst syv år efter tidspunktet for lancering af den seneste model på markedet
Temperatursensorer	Professionelt servicepersonale	Mindst syv år efter tidspunktet for lancering af den seneste model på markedet
Printkort	Professionelt servicepersonale	Mindst syv år efter tidspunktet for lancering af den seneste model på markedet
Lyskilder	Professionelt servicepersonale	Mindst syv år efter tidspunktet for lancering af den seneste model på markedet
Håndtag til dør	Professionelle reparatører og slutbrugere	Mindst syv år efter tidspunktet for lancering af den seneste model på markedet
Dørhængsler	Professionelle reparatører og slutbrugere	Mindst syv år efter tidspunktet for lancering af den seneste model på markedet
Hylde	Professionelle reparatører og slutbrugere	Mindst syv år efter tidspunktet for lancering af den seneste model på markedet
Skuffer	Professionelle reparatører og slutbrugere	Mindst syv år efter tidspunktet for lancering af den seneste model på markedet
Dørpakninger	Professionelle reparatører og slutbrugere	Mindst 10 år efter tidspunktet for lancering af den seneste model på markedet



Modeloplysningerne i produktbasen og modelidentifikatoren kan fås via et weblink, der scannes med en QR-kode, som findes på energimærkatet på produktet.

Besøg <https://eprel.ec.europa.eu>, og søg med modelnavnet, hvis du ønsker flere oplysninger om apparatets energieffektivitet. Modelnavnet findes på apparatets typeskilt.

Specifikationer:

Model: PORFI17DDN

Klimaklasse: SN/N/ST/T

Nominal spænding: 220-240 V~

Nominal frekvens: 50 Hz

Kølemiddel: R600a (37 g)

Støjniveau: 35 dB (klasse B)

Power International AS,
PO Box 523, N-1471 Lørenskog, Norway

Power Norge:
<https://www.power.no/kundeservice/>
T: 21 00 40 00

Power Danmark:
<https://www.power.dk/kundeservice/>
T: 70 33 80 80

Punkt 1 Danmark:
<https://www.punkt1.dk/kundeservice/>
T: 70 70 17 07





Power Finland:
<https://www.power.fi/tuki/asiakaspalvelu/>
T: 0305 0305

Power Sverige:
<https://www.power.se/kundeservice/>
T: 08 517 66 000

Läs följande säkerhetsanvisningar innan apparaten slås på för första gången!

- > Den här apparaten är avsedd för att användas i hushåll och liknande tillämpningar såsom köksutrymmen för personal i butiker, kontor och andra arbetsmiljöer, bondgårdar och av gäster på hotell, motell, bed and breakfast och andra typer av boendemiljöer, catering och andra liknande tillämpningar som inte utgör detaljhandel.
- > Den här apparaten är inte avsedd att användas av en person (inklusive barn) med nedsatt fysisk, sensorisk eller mental förmåga eller med brist på kunskap och erfarenhet. Detta gäller såvida de inte är under övervakning av, eller har fått instruktioner om hur apparaten används, från en person som ansvarar för deras säkerhet.

Förklaring av termer/symboler

	FARA Den här symbolen indikerar att extremt brandfarliga gaser utgör risker för människors liv och hälsa.
	VARNING Signalsymbolen anger en fara med en medelhög risk som, om den inte undviks, kan leda till dödsfall eller allvarlig personskada.
	FÖRSIKTIGHET Signalsymbolen anger en fara med en låg risk som, om den inte undviks, kan leda till mindre eller måttlig personskada.
	OBSERVERA Signalsymbolen indikerar viktig information (såsom skada på egendom) men inte fara för personer.

VIKTIGT: Var särskilt uppmärksam på meddelanden som innehåller orden **FARA**, **VARNING** eller **FÖRSIKTIGHET**. Dessa ord används för att uppmärksamma dig på potentiell fara som kan orsaka allvarlig personskada för dig och andra. Anvisningarna indikerar hur du kan reducera risken för personskada samt vad som kan hända om dessa inte följs.

OBSERVERA: Bruksanvisningen är övergripande. Detta innebär att vissa funktioner gäller för det här kylskåpet medan andra inte gör det.

Vi arbetar ständigt med att vidareutveckla och förbättra våra produkters typer och modeller. Vi förbehåller oss därför rätten att utan föregående meddelande göra ändringar i design, utrustning och tillbehör för alla typer och modeller.

VIKTIGA SÄKERHETSANVISNINGAR

LÄS OCH SPARA DESSA ANVISNINGAR!



VARNING: Brandrisk/lättantändligt material

Kylmedel och det skummaterial av cyklopentan som används i apparaten är lättantändligt. När apparaten kasseras ska den därför hållas borta från alla brandkällor och återvinnas av ett specificerat återvinningsföretag med motsvarande kvalifikationer. Denna kassering får inte ske genom förbränning för att förhindra miljökador eller annan skada.

VARNING

Allmän säkerhet

- > Barn måste hållas under uppsikt för att säkerställa att de inte leker med enheten.
- > Om strömkabeln är skadad måste den bytas ut av tillverkaren, dess serviceagent eller liknande kvalificerade tekniker för att undvika fara.
- > Förvara inte explosiva ämnen som exempelvis aerosolburkar med brandfarlig drivgas i fryssboxen.
- > Apparaten måste kopplas bort innan användarunderhåll utförs på den.
- > **VARNING:** Håll ventilationsöppningarna i enhetens hölje eller i den inbyggda strukturen fria från hinder.
- > **VARNING:** Använd inte mekaniska anordningar eller andra hjälpmedel för att påskynda avfrostningsprocessen, förutom de som rekommenderas av tillverkaren.
- > **VARNING:** Se till att köldmediekretsen inte skadas.
- > **VARNING:** Använd inte elektriska apparater i enhetens förvaringsutrymmen för livsmedel, såvida de inte är av den typ som rekommenderas av tillverkaren.
- > **VARNING:** Kassera kylskåpet enligt lokala föreskrifter eftersom det innehåller lättantändlig drivgas och lättantändligt kylmedel.
- > **VARNING:** När enheten ställs på plats ska det säkerställas att nätkabeln inte kläms eller skadas.
- > **VARNING:** Placera inte förgreningskontakter eller bärbara nätaggregat bakom enheten.
- > Använd inte ojordade förlängningssladdar eller adaptrar (med endast två stift).
- > För att undvika en fara på grund av att produkten är instabil måste den fixeras i enlighet med instruktionerna.
- > Kylskåpets strömförsörjning måste kopplas bort innan något tillbehör monteras. Se till att strömkabeln inte fastnar i kylskåpet. Trampa inte på strömkabeln.

FÖRSIKTIGHET

Daglig användning

- > Dra inte i strömkabeln när kylskåpets stickkontakt kopplas bort. Ta ett rejält grepp om stickkontakten och dra ur den ur eluttaget.
- > För säker användning får strömkabeln i skadas och den får inte användas om den är skadad eller sliten.
- > Använd alltid ett dedikerat eluttag och det får inte delas med andra elektriska apparater.
- > Strömkabeln måste vara ordentligt ansluten i eluttaget för att undvika brandrisk.
- > Kontrollera att jordningsblecket i eluttaget är utrustat med en tillförlitlig jordanslutning.
- > Om du luktar gas eller andra brandfarliga gaser, stäng av gastillförselsventilen omedelbart och öppna dörrar och fönster för att ventilerera området.
- > Vid en gasläcka, dra inte ur kontakten till kylskåpet eller använd några elektriska strömbrytare; gnistan kan antända gasen och orsaka en brand.
- > Använd inte elektriska apparater ovanpå enheten, såvida de inte är av den typ som rekommenderas av tillverkaren.
- > Mellanrummen mellan kylskåpets dörrar och huvuddelen är små. Undvik att placera händerna i dessa områden för att förhindra skador på fingrarna. Var försiktig när du öppnar och stänger kylskåpets dörr för att undvika att föremål välter.
- > Låt inte barn vara i eller klättra upp i kylskåpet då de kan utsättas för kvävningrisk eller fallskador.
- > Placera inga tunga föremål ovanpå kylskåpet med tanke på att föremålen kan välta när du öppnar och stänger dörren, varpå oavsiktliga personskador kan inträffa.
- > Placera inte brandfarliga, explosiva, instabila och starkt frätande föremål i kylskåpet för att förhindra skador på kylskåpet och brandrisk.
- > För att undvika risker för brand får lättantändliga föremål inte placeras i närheten av kylskåpet.
- > Kylskåpet är avsett för hushållsbruk såsom förvaring av livsmedel. Det får inte användas för andra ändamål såsom blod, läkemedel eller biologiska produkter osv.

VARNING

För EU-standard:


Den här apparaten kan användas av barn från 8 år och äldre och personer med nedsatt fysisk, sensorisk eller mental förmåga eller bristande erfarenhet och kunskap om de har fått tillsyn eller anvisningar om hur apparaten ska användas på ett säkert sätt och förstär riskerna. Barn får inte leka med apparaten. Rengöring och användarunderhåll får inte utföras av barn utan uppsikt.

För att undvika att livsmedel kontamineras ska följande anvisningar följas:

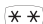
- Om locket hålls öppen länge höjs temperaturen i enheten avsevärt.
- Rengör regelbundet ytor som kan komma i kontakt med livsmedel samt utloppssystemet.
- Rengör vattenbehållare om de inte har använts på 48 timmar. Spola vattensystem som är anslutet till vattenförsörjningen om vatten inte har använts på 5 dagar. **(Obs 1)(*)**
- Förvara rätt kött och fisk i lämpliga behållare i kylskåpet så att de inte kommer i kontakt med eller droppar på andra livsmedel.
- Frysack med två stjärnor är lämpliga för förvaring av frysta livsmedel, förvaring eller tillverkning av glass samt tillverkning av isbitar. **(Obs 2)(*)**
- 1-, 2- och 3-stjärniga fack är inte lämpliga för att frysa färsk mat. **(Obs 3)(*)**
- För apparater utan ett 4-stjärnigt fack: den här enheten är inte lämplig för att frysa in färska livsmedel. **(Obs 4)(*)**
- Om enheten ska vara tom under en längre period bör den stängas av, frostas av, rengöras och torkas. Locket ska lämnas öppet för att förhindra invändig mögelbildning.


Obs 1, 2, 3, 4: Kontrollera om detta är tillämpligt utifrån typen av fack i produkten.

(*): Den här funktionen kan variera beroende på vilken modell som har köpts.

 "4-stjärnig" symbol: Frysaren har en temperatur på -18 °C eller lägre och kan snabbt frysa en viss mängd mat.

 "3-stjärnig" symbol: Frysack vid -18 °C eller lägre.

 "2-stjärnig" symbol: Frysack vid -12 °C eller lägre.

 "1-stjärnig" symbol: Frysack med en måltemperatur och förvaringsförhållanden på -6 °C.

FÖRSIKTIGHET

Det rekommenderas inte att produkten används med eluttag eller huvudströmbrytare med AFCI/GFCI-funktion då detta kan orsaka falska utlösningar.

1. Funktionen utgör inte en säkerhetsrisk när den utlöses.
2. Om problemet kvarstår rekommenderar vi att uttaget eller huvudströmbrytaren byts ut mot en modell utan AFCI/GFCI-funktion.

VARNING

Risk att barn blir instängda. Innan du kasserar ditt gamla kylskåp:

- > Ta av locket.
- > Låt hyllplanen sitta kvar så att barn inte på ett enkelt sätt kan klättra in.

MILJÖSKYDD

Kassera gamla elektriska apparater på ett miljövänligt sätt



Den här överkorsade symbolen på en soptunna med hjul indikerar att elektriska och elektroniska avfallsprodukter (WEEE) bör kasseras separat från kommunala avfall.

Gamla elektriska apparater kan innehålla farliga ämnen. Korrekt avfallshantering bidrar till att förebygga potentiella skador på miljön och människors hälsa. Din gamla apparat kan innehålla återanvändbara delar som kan användas för att reparera andra produkter samt värdefulla material som kan återvinnas för att spara på begränsade naturresurser.

Förpackningsinformation



Produktens förpackningsmaterial är tillverkat av återvinningsbart material enligt våra nationella miljöföreskrifter. Kasta inte förpackningsmaterialet med hushållsavfall eller annat avfall. Kassera det istället på samlingsanläggningar för förpackningsmaterial som indikeras av de lokala myndigheterna.

FÖRSIKTIGHET

Kylmediet och det cyklopentanbaserade skum materialet som används i enheten är brandfarliga. När enheten kasseras ska den därför hållas borta från alla brandkällor och återvinnas av ett specificerat återvinningsföretag med motsvarande kvalifikationer. Denna kassering får inte ske genom förbränning för att förhindra miljöskador eller annan skada.

MONTERINGSANVISNINGAR

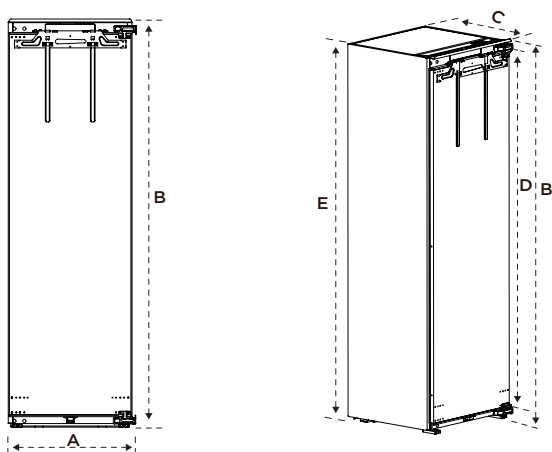
Före första användningen

Ta bort den yttre och inre packningen och torka noggrant av utsidan med en mjuk och torr trasa samt insidan med en trasa blötlagd med ljummet vatten.

Innan kylskåpet ansluts till strömförsörjningen ska du kontrollera att spänningen som anges på apparatens typskylt motsvarar spänningen på nätströmmen. En annan spänning kan skada apparaten.

Apparaten måste vara jordad. Tillverkaren ansvarar inte för skador som kan uppstå till följd av att apparatens används utan jordning.

Diagram för platsbehov



A	B	C	D	E
557	1785	550	1676	1770

Obs! Alla mått i mm

Omgivningstemperatur

Beroende på klimatklass är kylan konstruerad för användning inom det intervall för omgivningstemperatur som anges i tabellen till höger.

Produkten kanske inte fungerar korrekt vid temperaturer utanför det angivna intervallet.

Klimatklassen anges på produktens typskylt.

Klimatklassificering	Omgivningstemperatur
SN	10 till 32 °C
N	16 till 32 °C
ST	16 till 38 °C
T	16 till 43 °C

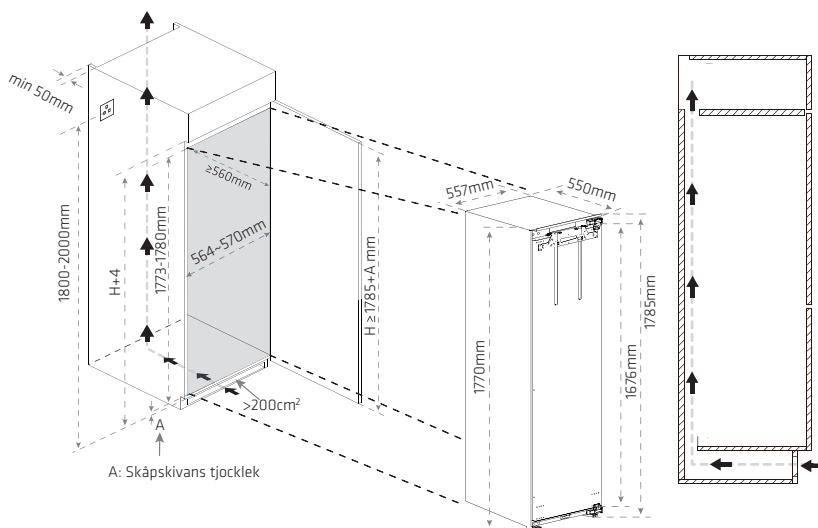
Om du har tvivel angående monteringen bör du vända dig till leverantören, till vår kundservice eller till närmaste auktoriserade serviceverkstad.

OBSERVERA

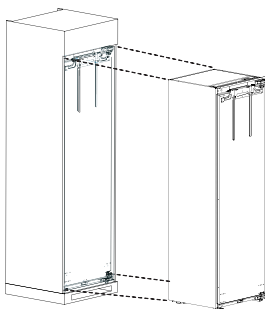
Enhetens kylformåga och energiförbrukning kan påverkas av omgivningstemperaturen, hur ofta dörren öppnas och var enheten placeras. Vi rekommenderar att temperaturinställningarna justeras efter behov.

Montering i skåp

Krav på skåpets storlek. (Grundpanelen och skåpets baksida måste ha en öppen kanal för värmeavledning.)

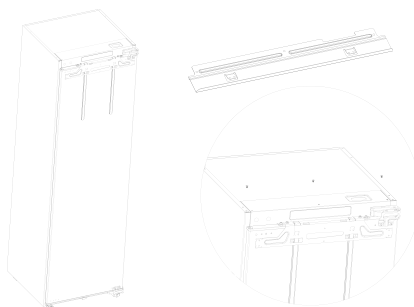


Kylen installeras i skåpet på följande sätt:



Montering av övre baffel

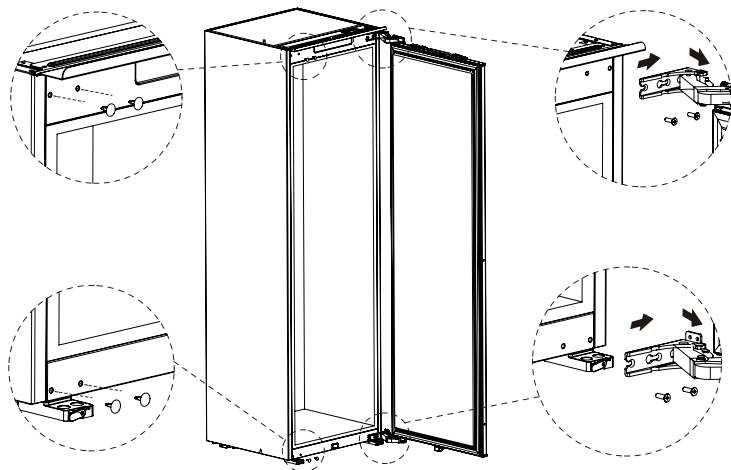
Ta ut den övre baffeln. Avlägsna förpackningspåsen. Montera den övre baffeln i den position som visas och fäst den med tre skruvar.



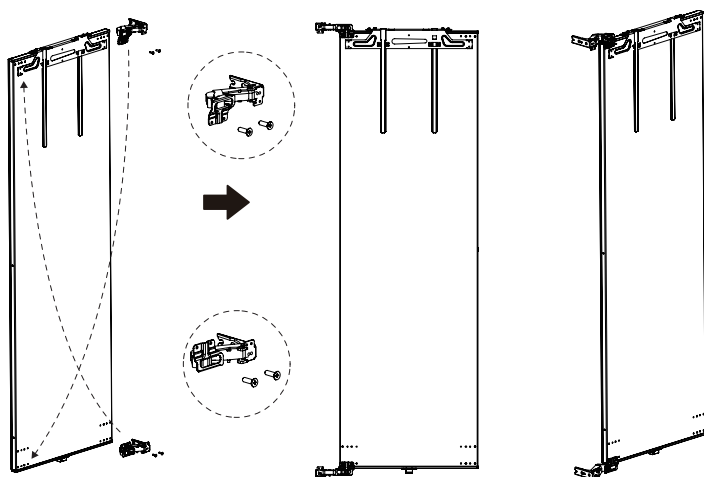
Byta dörrens öppningsriktning

Kylskåpets dörr öppnas som standard från höger. Om du vill ändra så att dörren öppnas från vänster sida följer du de här stegen:

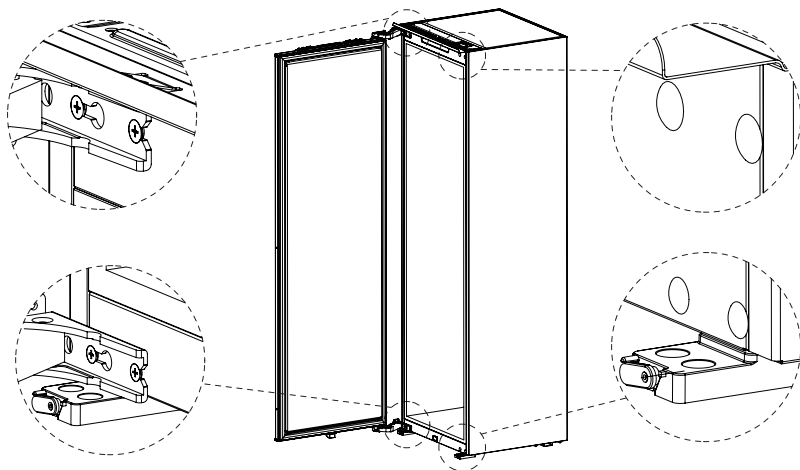
1. Öppna dörren och ta bort stiften från övre och nedre dörrkarmen.
2. Ta bort gångjärnsskruvarna och lyft sedan försiktigt av dörren, eftersom den är tung.



3. Ta bort de övre och nedre dörrgångjärnen och sätt tillbaka dem på motsatta sidor efter att ha bytt plats på dem.




4. Sätt tillbaka dörren på skåpet och fäst den med skruvarna. För sedan in stiften i gångjärnens skruvhål på höger sida. Nu har dörarna bytt plats.



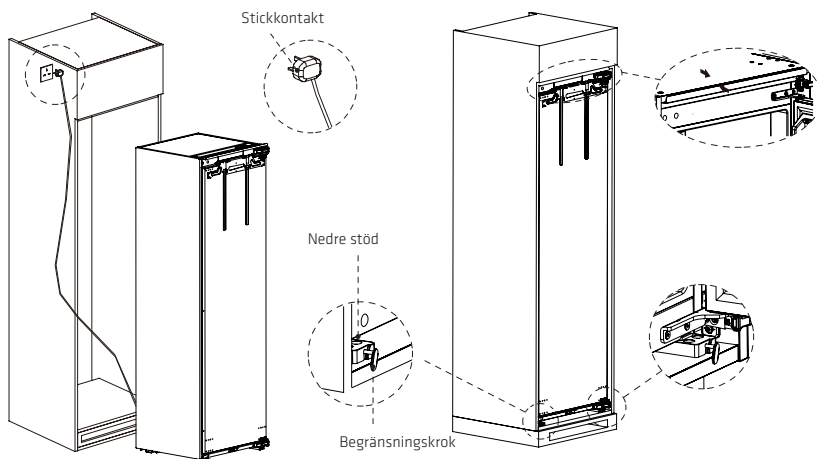
5. Placera kylan i skåpet.

- > Packa upp kylan och ta bort installationstillbehören som förvaras i kylens dörr.

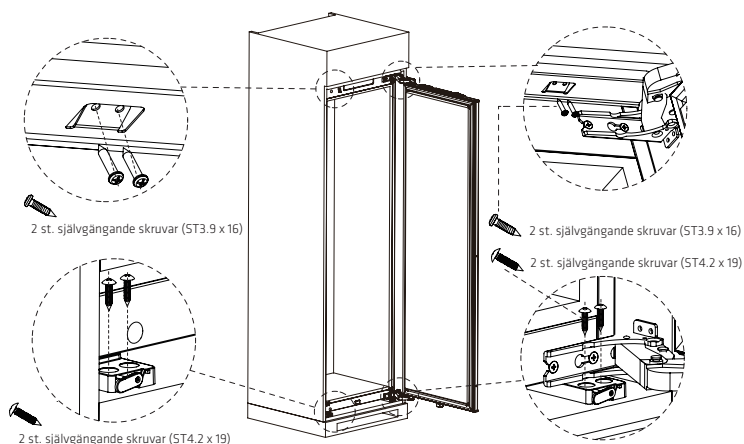


-  2 st. fästen på dörröppningssidan
-  2 st. skydd för fästen på dörröppningssidan
-  2 st. sidofästen för gångjärn
-  2 st. skydd för gångjärnens sidofästen
-  2 st. över buffelskydd
-  1 st. tätningslist
-  1 st. dekorativt skydd för dörrens ovansida
-  4 st. nedre stödskydd
-  2 st. dekorativa gångjärnsskydd
-  14 st. självgängande skruvar (ST4.2 x 13)
-  4 st. självgängande skruvar (ST4.2 x 19)
-  4 st. självgängande skruvar (ST3.9 x 16)
-  8 st. självgängande skruvar (ST2.9 x 11)

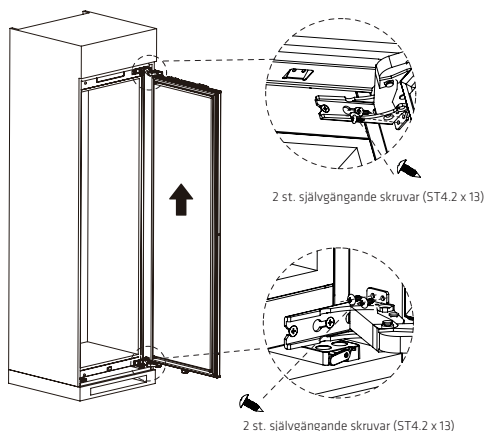
- > Stäng dörren till kylan, ta ut strömkabeln och anslut den till ett uttag eller dra den genom kabelhålet i skåpet.



- > När du har flyttat kylan en bit in i skåpet öppnar du den nedre begränsningskroken. Justera kylan så att sidan med gångjärnet är nära skåpet, den övre baffelflansen är i kontakt med skåpets kant och begränsningskrokarna griper tag i skåpets underkant. Var försiktig så att du inte klämmer eller skadar strömkabeln under installationen.
- > Fäst bottenstödet på träskåpet med 19 st. ST4.2 -skruvar och fäst den övre baffeln med 16 st. ST3.9-skruvar. Se till att kylan står plant och inte lutar under installationen.

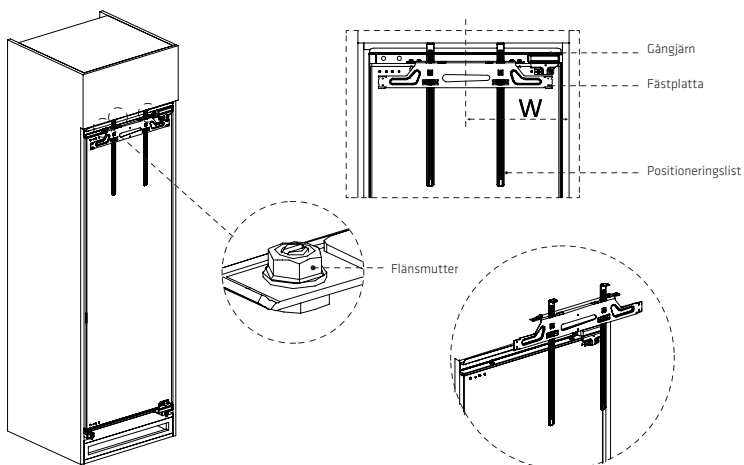


- > Öppna kylens dörr och fäst gångjärnen på skåpets sidopanel med 13 st. ST4.2-skrivar. Håll upp dörren medan du drar åt skruvarna.



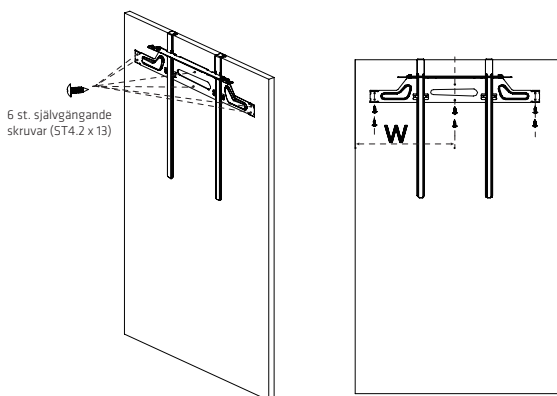
6. Montering av skåpdörr.

- > Stäng dörren till kylan, ta bort positioneringslisten från dörren och fäst den på skåpets ovansida. Justera fästplattan så att den är centrerad och mät sedan avståndet (W) från mitten av det mellersta fästhållet till skåpets sidokant. Håll positioneringsklämman på plats, lossa flänsmuttrarna på fästplattan och ta sedan bort fästplattan och positioneringslisten.

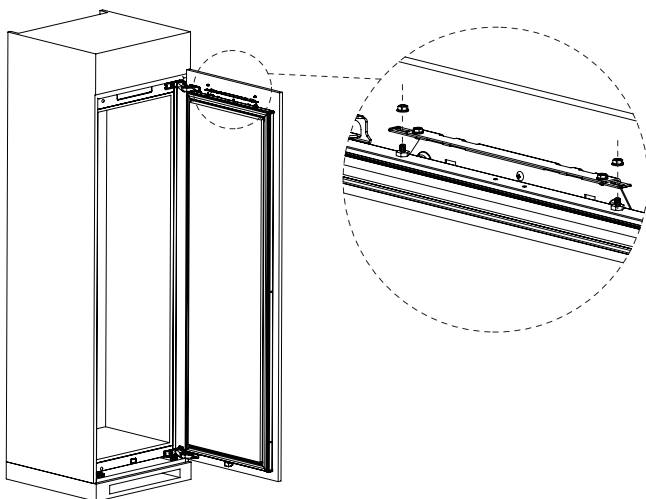


- > Vänd skåpdörren, placera positioneringslistan mot den övre kanten av trädörren och se till att fästplattan är fäst på baksidan av möbeldörrens panel.

Justera fästplattan så att avståndet mellan dess mittlinje och sidokanten på trädörren är W, och fäst den sedan med 13 st. ST4.2-skrivar. Ta bort positioneringslistan efter monteringen.

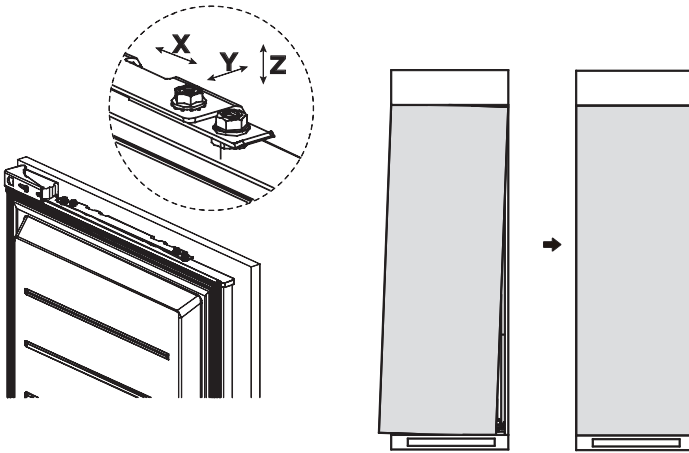


- > Placera skåpdörren på kyldörrens skruvhål, stäng dörren för att kontrollera att den är i linje med skåpet och fäst den sedan med fläsmuttrar när den sitter rätt.

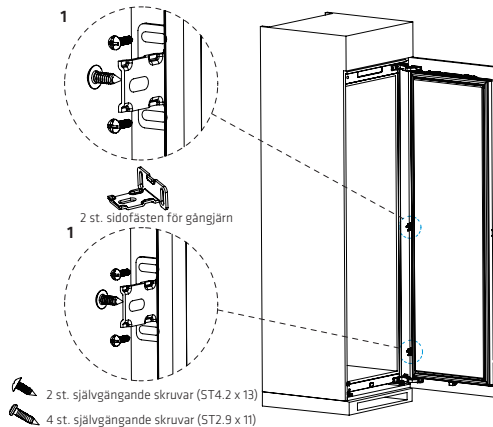


- > Om skåpdörren är feljusterad ska den justeras enligt följande anvisningar:
 - Använd en skiftnyckel för att justera muttrarna på bultarna och ändra dörrens höjd (Z) med cirka 5 mm.
 - Lossa fläsmuttrarna något. Flytta dörren åt vänster eller höger för att justera dess position (X) med cirka 5 mm och dra sedan åt fläsmuttrarna när dörren är korrekt inriktad.

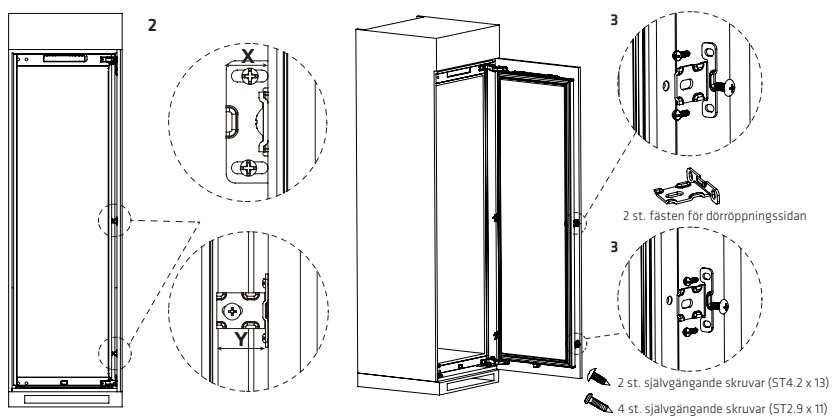
- Lossa de sexkantiga skruvarna något, flytta dörren framåt eller bakåt för att justera dess position (Y) med cirka 5 mm och dra sedan åt skruvarna när dörren är korrekt inriktad.



- > Fäst kylens dörr på skåpdörren med hjälp av sidobeslaget.
- > Fäst först gångjärnssidans fäste så att skåpdörren kan placeras korrekt.



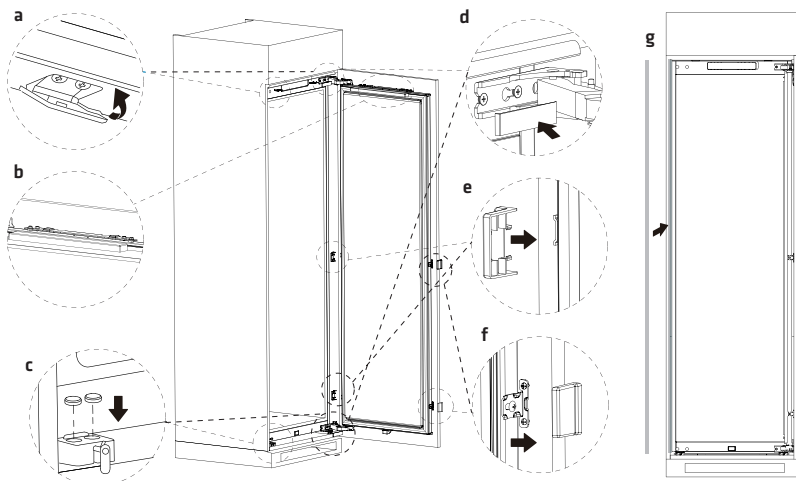
- > Om den nedre delen av skåpdörren lutar ska den justeras enligt anvisningarna nedan:
 - Dra åt sidobeslagets skruvar något (11 st. ST2.9-skruvar). Flytta dörren åt vänster eller höger för att justera dess position (X) med cirka 5 mm och dra sedan åt flänsmuttrarna när dörren är korrekt inriktad.
 - Lossa sidobeslagets skruvar något (13 st. ST4.2-skruvar). Flytta dörren framåt eller bakåt för att justera dess position (Y) med cirka 5 mm och dra sedan åt skruvarna igen när dörren är korrekt inriktad.



> Montera sidofästet för dörröppning när skåpdörren är korrekt inriktad.

7. Avsluta installationen.

- | | |
|--|--|
| a. Montera det övre buffelskyddet | b. Montera dörrens dekorativa skydd |
| c. Montera det nedre stödskyddet | d. Montera gångjärnets dekorativa skydd |
| e. Montera skyddet för gångjärnets sidofäste | f. Montera skyddet för fästet på dörröppningssidan |
| g. Fäst tätningslisten | |



OBSERVERA

Skillnader: På grund av tekniska skillnader och olika modeller kan vissa av bilderna i den här bruksanvisning skilja sig från din modell.

Byta ut lampan

Allt byte eller underhåll av LED-lampor är avsett att utföras av tillverkaren, dess servicerepresentant eller en kvalificerad person.

Produkten innehåller en ljuskälla med energieffektivitetsklass F.

När strömkabeln (eller stickkontakten) är ansluten till uttaget ska du vänta mellan två och tre timmar innan mat placeras i apparaten. Om mat placeras i apparaten innan den har svalnat helt kan maten förstöras.

Flytta apparaten

1. Ta bort alla föremål från apparaten.
2. Dra ur kontakten och fäst den.
3. Tejpa fast delar såsom hyllor och dörren för att förhindra att de faller av när enheten flyttas.
4. Använd två personer för att flytta apparaten och var försiktiga. När apparaten transporteras över en lång sträcka ska den hållas upprätt.

Tips för energibesparingar

Placera inte apparaten nära spisar, värmeelement eller andra värmekällor. Om omgivningstemperaturen är hög arbetar kompressorn oftare och under längre tidsperioder vilket resulterar i en ökad energiförbrukning.

Garanterar en tillräcklig ventilation vid apparatens nederdel, sidor och baksida.

Observera även avståndsmåtten i kapitlet "Installation".

Placeringen av lådor, hyllor och dörrfack såsom visas i produktöversikten skapar den mest effektiva energianvändningen och bör bibehållas när så är möjligt.

För att skapa mer förvaringsutrymme (t.ex. för stora kyl-/frysvaror) kan de mellersta lådorna och hyllorna tas bort. Om behov finns ska de övre och nedre lådorna och hyllorna tas bort.

En jämnt fylld enhet bidrar till optimal energiförbrukning.

Låt varm mat svalna innan den placeras i frysdelen. Om mat svalnar innan den placeras i apparaten ökar energieffektiviteten.

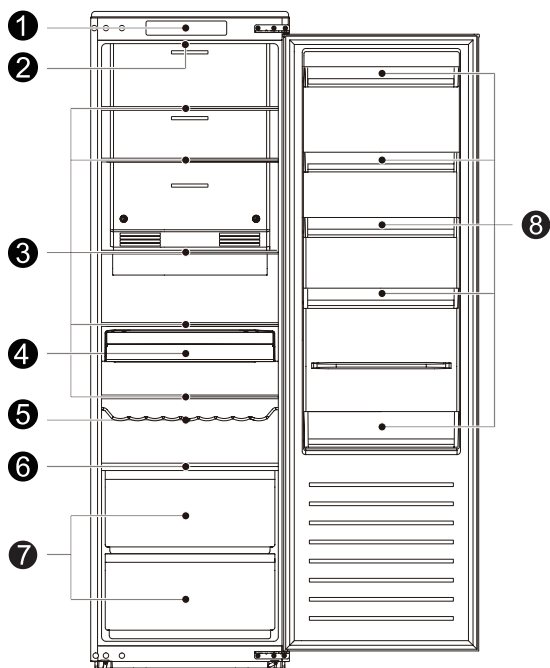
Låt fryst mat tina upp i kylan. Kylan från den frysta maten reducerar energiförbrukningen i kylfacket vilket ökar energieffektiviteten. Låt locket vara öppet under så korta tidsperioder som möjligt för att minimera förlust av kyla. Om locket öppnas och stängs snabbt minskar energiförbrukningen.

Skapa en optimal energianvändning genom att ställa in temperaturen endast till vad som är nödvändigt för att kyla maten.

Packningarna på enhetens lock måste vara helt intakta för att låta den stängas ordentligt och inte öka energiförbrukningen i onödan.

PRODUKTÖVERSIKT

Komponenter och funktioner



1 Temperaturreglage

2 LED-lampa

3 Hylla

4 Förvaringslåda

5 Vinställ

6 Skydd för frukt- och grönsakslåda

7 Låda för frukt och grönsaker

8 Dörrfack

- > För optimal energieffektivitet, bör alla invändiga komponenter, såsom brickor, lådor och hyllor, placeras i de positioner som tillverkaren angett.

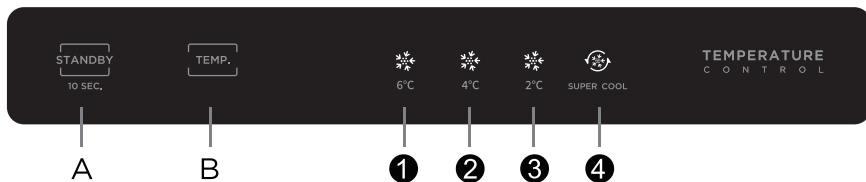
OBSERVERA

Skillnader: På grund av tekniska skillnader och olika modeller kan vissa av bilderna i den här bruksanvisning skilja sig från din modell.

ALLMÄNNA ANVISNINGAR

Användning och funktioner

Kontrollpanel



Knapp

A Standbyknapp

B Knapp för temperaturinställning

Displayskärm

1 Inställning 1: den inställda temperaturen är **6 °C**

3 Inställning 3: den inställda temperaturen är **2 °C**

2 Inställning 2: den inställda temperaturen är **4 °C**

4 Inställning 4: **Snabbkylning**

Display

När kylan slås på för första gången tänds displayen i 3 sekunder och en startton hörs. Efter detta övergår displayen till normal drift. (Vid första uppstarten är kylskåpstemperaturen förinställd på nivå 2, vilket motsvarar **4 °C**.)

När ett fel inträffar visas felkoden cykliskt på displayen. När inget fel föreligger visas kylens inställda temperatur på displayen.

När kylskåpsdörren öppnas tänds displayen. Den släcks inom 30 sekunder efter att dörren har stängts. Om displayen är släckt kan du trycka på valfri knapp för att väcka den och sedan göra justeringarna.

Felkod	Felbeskrivning
LED-lampa "1" och LED-lampa "2" lyser	Sensorkrets för kyltemperatur
LED-lampa "1" och LED-lampa "3" lyser	Avfrostningssensor för kyl
LED-lampa "2" och LED-lampa "4" lyser	Kommunikationsfel
LED-lampa "1" och LED-lampa "4" lyser	Sensor för omgivningstemperatur

Läsning och uppläsning

Ingen läs- eller uppläsningfunktion.

Inställningen börjar gälla efter 15 sekunder om att inga ytterligare åtgärder vidtagits.

OBSERVERA

Den faktiska kontrollpanelen kan variera beroende på modell.

Inställning av läge

Varje gång knappen trycks in ändras inställningen med ett steg. Efter 15 sekunder utan ytterligare justeringar drivs kylskåpet i enlighet med den valda inställningen.

Rekommenderad inställningstemperatur för kylan: 4 °C



Varning vid öppen dörr och larmkontroll

Om kylens dörr är öppen i 120 sekunder ljuder summern tills dörren stängs eller valfri knapp trycks in för att tysta larmet.

Standbyläge

Håll standbyknappen intryckt i 10 sekunder för att komma till standbyläget. Kylan stängs av och displayen slocknar. I standbyläge håller du standbyknappen intryckt i 10 sekunder för att återgå till normal drift.

Snabbkylningsläge

Aktivera läget: I andra lägen trycker du på knappen **"TEMP."** tills symbolen "⊖" tänds.

Inaktivera läget: I snabbkylningsläget avslutar kylskåpet automatiskt läget efter 360 minuter, eller så kan du avsluta det genom att trycka på knappen för temperaturinställning.

Förvara mat

Kyldelen

För att reducera mängden fukt och efterföljande isbildning ska vätska inte placeras i kylfacket i oförseglade behållare. Frost tenderar att koncentreras på de kallaste delarna av förångaren. Om vätskor förvaras oförseglade är behovet av avfrostning mer frekvent.

Placera aldrig varm mat i kylfacket. Dessa ska först låtas svalna i rumstemperatur och sedan placeras på ett sätt som erbjuder tillräcklig luftcirkulation i kylfacket.

Mat eller matbehållare får inte vidröra kylskåpets bakre vägg då de kan frysa fast mot väggen. Öppna inte kylskåpsdörren ofta.

Kött och rensad fisk (förpackad i en behållare eller plastfolie) kan placeras i kylfacket och användas under 1-2 dagar.

Frukt och grönsaker utan förpackning kan placeras i delen som är avsedd för färsk frukt och grönsaker.

UNDERHÅLL OCH RENGÖRING

FÖRSIKTIGHET

Koppla bort apparaten från nätströmmen innan du något rutinunderhåll utförs. Vänta minst fem minuter innan apparaten startas om eftersom en för snabb uppstart kan skada kompressorn.

Använd inte mekaniska anordningar eller andra hjälpmedel för att påskynda avfrosthingsprocessen, förutom de som rekommenderas av tillverkaren.

Försök inte reparera, demontera eller modifiera apparaten själv. Kontakta vår kundtjänst om reparation behövs.

Damma av enhetens baksida minst en gång om året för att undvika risk för brand samt en ökad energiförbrukning.

Kontrollera lockets packning regelbundet för att säkerställa att den är fri från skräp. Rengör lockets tätningsslist med en mjuk trasa fuktad med vatten och diskmedel eller utspätt rengöringsmedel.

Produktens insida bör rengöras regelbundet för att undvika dålig lukt.

Använd en mjuk trasa eller svamp för att rengöra apparatens insida med en blandning av två matskedar bakpulver och en liter varmt vatten. Skölj därefter med vatten och

torka rent. Låt locket vara öppet efter rengöringen och låt apparaten torka naturligt innan du slår på strömmen.

För områden i produkten som är svåra att rengöra (såsom smala övergångar, mellanrum och hörn), rekommenderar vi att du torkar dessa regelbundet med en mjuk trasa, borste eller liknande. Använd vid behov extra hjälpmedel (såsom smala pinnar) för att förhindra att smuts eller bakterier ansamlas.

Torka av produktens utsida med en mjuk trasa fuktad med vatten blandat med diskmedel eller rengöringsmedel och torka sedan torrt.

Använd inte hårda borstar, rengöringskylor av stål, stålborstar, slipmedel (såsom tandkräm), organiska lösningar (såsom alkohol, acetone, isoamylacetat och liknande), kokande vatten eller frätande eller alkaliska föremål som kan skada kylens ut- och insida. Kokande vatten och organiska lösningar som t.ex. bensen kan deformera och skada delar av plast.

För att undvika kortslutningar och påverkan på den elektriska isoleringen får du inte skölja apparaten eller sänka ned den i vatten vid rengöring.

OBSERVERA

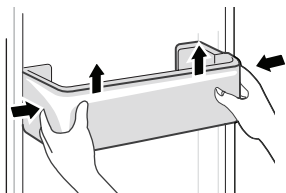
När enheten har satts igång bör den vara igång kontinuerligt. Vanligtvis ska apparatens drift inte avbrytas då detta kan försämra dess livslängd.



Rengöra dörrfacket

Följ riktningsspielen i figuren nedan – använd sedan båda händerna för att klämma ihop brickan och trycka den uppåt för att ta ut den.

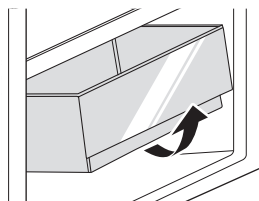
När brickan har tagits bort och diskats kan du sätta tillbaka den på den höjd som bäst passar dina behov.



Rengöra grönsakslådan

Ta bort innehållet från lådan. Håll i grönsakslådans handtag och dra ut den helt till det tar stopp.

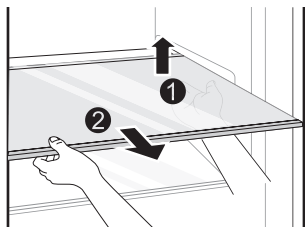
Lyft upp grönsakslådan och ta bort den genom att dra den utåt.



Rengör glashyllan

Vid den inre delen av kylskåpet finns en backspärr för hyllorna. Du måste lyfta hyllorna uppåt för att sedan ta ut dem.

Justera eller rengör hyllorna efter behov.



OBSERVERA

Skilnader: På grund av tekniska skillnader och olika modeller kan vissa av bilderna i den här bruksanvisning skilja sig från din modell.

FELSÖKNING

Följande enklare problem kan hanteras av användaren. Kontakta kundtjänst om problemen inte kan korrigeras.

Problem	Möjliga orsaker	Lösning
Fungerar inte	<ul style="list-style-type: none"> Strömförsörjningen är inte påslagen och kontakten är inte ordentligt isatt. Låg spänning, strömavbrott eller en del av kretsen har utlösts. 	<ul style="list-style-type: none"> Anslut i strömkabelns stickkontakt ordentligt. Kontrollera nätströmmen.
Lampan tänds inte	<ul style="list-style-type: none"> Apparaten är inte påslagen. Lampan är trasig. 	<ul style="list-style-type: none"> Koppla bort och anslut strömkabeln igen. Låt en behörig person byta ut lampan.
Frukt eller grönsaker är frysta	<ul style="list-style-type: none"> Har livsmedel placerats mot kylens bakre vägg? Området nära den bakre väggen är där temperaturerna är lägst. Frukt och grönsaker förvaras i färskhetzonen. 	<ul style="list-style-type: none"> Placera inte mat som enkelt kan frysa mot den bakre väggen i kylfacket. Färskhetzonen är endast för kött/fisk.
Överkylning	<ul style="list-style-type: none"> Temperaturreglaget är inte korrekt inställt. 	<ul style="list-style-type: none"> Ställ in till en högre temperatur.
Kompressorn arbetar under en lång tidsperiod	<ul style="list-style-type: none"> Hög omgivningstemperatur skapar en längre arbetstid. För mycket mat har fyllts på samtidigt. Mat förvaras innan den har svalnat. Locket öppnas för ofta. Frostskiktet inuti är för tjockt. 	<ul style="list-style-type: none"> Detta är normalt. Fyll inte på med för mycket mat samtidigt. Vänta till maten har svalnat innan den förvaras. Öppna inte locket för ofta. Du måste avfrosta.
Locket stängs inte ordentligt	<ul style="list-style-type: none"> Locket blockeras av föremål. För mycket mat har förvarats. Lockets packning är deformerad. 	<ul style="list-style-type: none"> Placera apparaten på en stabil yta. Fyll inte på med för mycket mat. Värm lockets packning och kyl den sedan för att återställa dess form (använd en elektrisk hårtork eller varmvatten för att värma upp).
Den yttre väggen är varm	<ul style="list-style-type: none"> När apparaten är i drift avleds värme till utsidan genom metallrören inuti skåpet. Högre omgivningstemperaturer på sommaren kan göra att enhetens yttervägg blir varmare. 	<ul style="list-style-type: none"> Högre temperatur på den yttre väggen är normalt. Öka utrymmet där värmen kan avledas till eller placera apparaten på en välventilerad och sval plats.
Dörrkarmens kanter kan kännas varma vid beröring	<ul style="list-style-type: none"> Det finns metallrör i dörrkarmen som avger värme för att förhindra kondens. 	<ul style="list-style-type: none"> Detta är normalt.
Lukter	<ul style="list-style-type: none"> Mat har blivit dålig. Mat med stark lukt. Det inre facket är smutsigt. 	<ul style="list-style-type: none"> Rengör och ta bort all mat som har blivit dålig. Se till att mat med stark lukt är förpackad i en lufttät förpackning. Rengör det inre facket.
Kondens bildas på utsidan	<ul style="list-style-type: none"> Kondens kan bildas om luftfuktigheten i rummet är hög. 	<ul style="list-style-type: none"> Detta är normalt. Torka bort kondensen med en torr trasa.
Kondens bildas i kylan och i lådorna	<ul style="list-style-type: none"> Kylen håller en hög luftfuktighet för att hålla grönsaker och andra livsmedel fräscha. Luftfuktigheten i rummet är för hög och dörren har öppnats ofta. Dörrens packning ligger inte an ordentligt. 	<ul style="list-style-type: none"> Torka bort kondensen med en torr trasa. Öppna inte dörren så ofta eller håll den inte öppen för länge. Kontrollera dörrens packning beträffande dess rengöring eller korrekt placering.

Vissa ljud kan höras under normal användning av kylskåpet. Dessa påverkar inte dess korrekta funktionalitet.

Ljud som enkelt kan förhindras:

- > Ljud som orsakas av apparaten inte är nivellerad – korrigera nivelleringen med de justerbara framfötterna. Alternativt kan du placera kuddar av ett mjukt material under de bakre rullarna. Detta gäller speciellt om apparaten är placerad på kakel.
- > Apparaten vidrör den intilliggande möbeln – flytta bort kylskåpet.
- > Lådor eller hyllor knarrar – ta ut och sätt tillbaka lådan eller hyllan.
- > Ljud från flaskor som klirrar – flytta isär flaskorna.

Ljud som hörs under normal användning beror huvudsakligen på att kompressorn (slås på) och kylsystemet (kylmedel flödar på grund av termisk expansion och sammandragning på kylaren) arbetar.

BILAGA

Speciellt för ny europeisk standard

De delar som anges i tabellen nedan kan erhållas via tjänsteleverantören.

Beställd komponent	Tillhandahålls av	Minsta tid som krävs för tillhandahållning
Termostat	Professionell underhållspersonal	Minst 7 år efter att den sista modellen har lanserats på marknaden
Temperatursensorer	Professionell underhållspersonal	Minst 7 år efter att den sista modellen har lanserats på marknaden
Kretskort	Professionell underhållspersonal	Minst 7 år efter att den sista modellen har lanserats på marknaden
Ljuskällor	Professionell underhållspersonal	Minst 7 år efter att den sista modellen har lanserats på marknaden
Locketts handtag	Professionella reparatörer och slutanvändare	Minst 7 år efter att den sista modellen har lanserats på marknaden
Locketts gångjärn	Professionella reparatörer och slutanvändare	Minst 7 år efter att den sista modellen har lanserats på marknaden
Tråg	Professionella reparatörer och slutanvändare	Minst 7 år efter att den sista modellen har lanserats på marknaden
Korgar	Professionella reparatörer och slutanvändare	Minst 7 år efter att den sista modellen har lanserats på marknaden
Locketts tätningar	Professionella reparatörer och slutanvändare	Minst 10 år efter att den sista modellen har lanserats på marknaden

OBSERVERA

Informationen om produktens modell och beteckning kan hämtas via en webblänk genom att skanna QR-koden på etiketten för energieffektivitet, om en sådan finns.

Besök <https://eprel.ec.europa.eu> och sök efter modellnamnet för mer information om apparatens energieffektivitet. Modellnamnet kan hittas apparatens typskylt.

Specifikation:

Modell: PORFI17DDN

Klimatklass: SN/N/ST/T

Märkspänning: 220-240 V~

Märkfrekvens: 50 Hz

Köldmedium: R600a (37 g)

Ljudnivå: 35 dB (klass B)

Power International AS,
PO Box 523, N-1471 Lørenskog, Norway

Power Norge:
<https://www.power.no/kundeservice/>
T: 21 00 40 00

Power Danmark:
<https://www.power.dk/kundeservice/>
T: 70 33 80 80

Punkt 1 Danmark:
<https://www.punkt1.dk/kundeservice/>
T: 70 70 17 07

Power Finland:
<https://www.power.fi/tuki/asiakaspalvelu/>
T: 0305 0305

Power Sverige:
<https://www.power.se/kundeservice/>
T: 08 517 66 000

