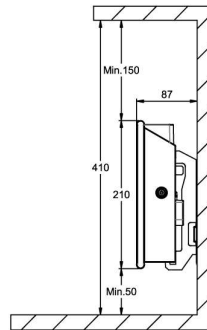
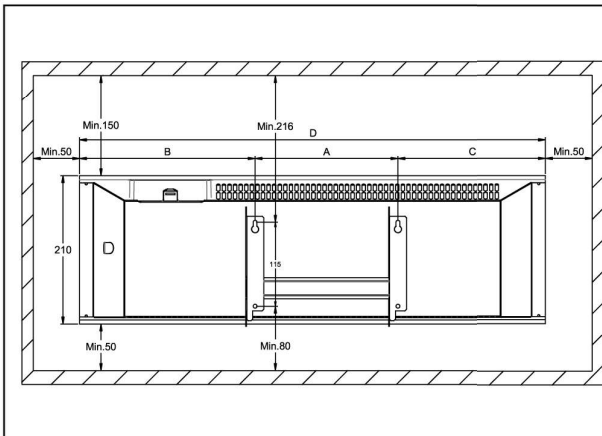
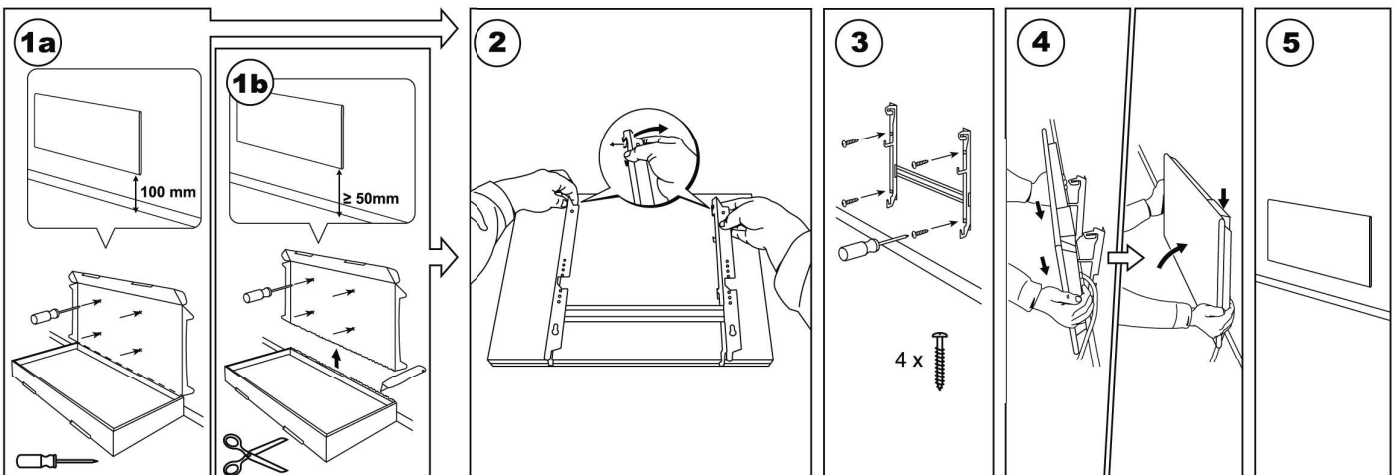
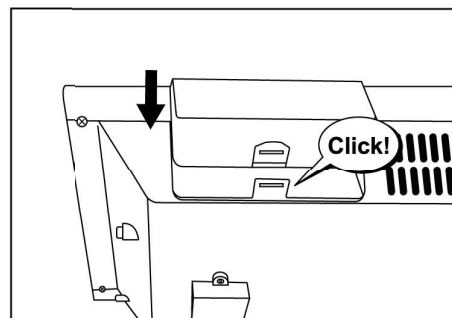
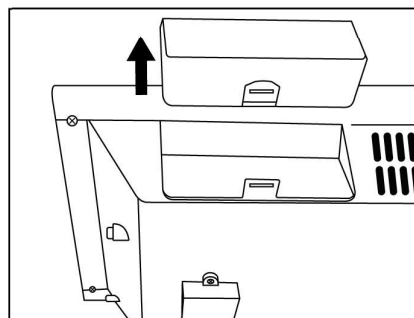
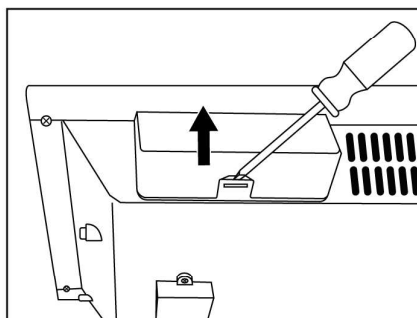
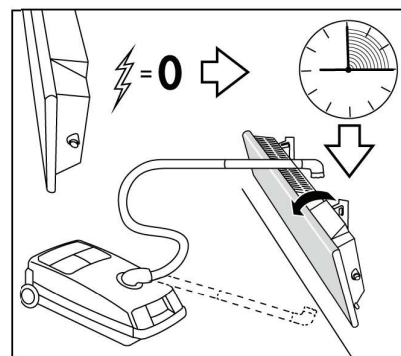
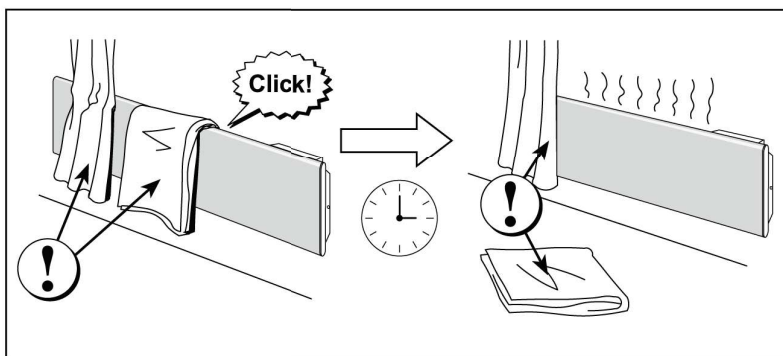
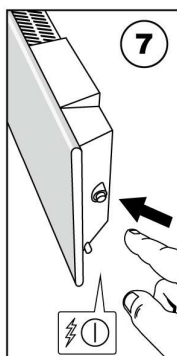
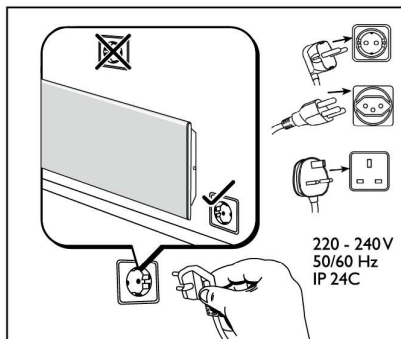


POPPH KDT	Watt	B	A	C	D
POPPH 08 KDT	800	236	302	212	750
POPPH 10 KDT	1000	268	302	239	809
POPPH 12 KDT	1200	356	302	326	984



POPPHL KDT	Watt	B	A	C	D
POPPHL 08 KDT	800	303	604	279	1186
POPPHL 10 KDT	1000	386	604	390	1380





If the supply cord is damaged, it must be replaced by the manufacturer, its service agent or similarly qualified persons in order to avoid hazard.