

point

Dishwasher

PTDW1
User Manual

LIFE MADE EASIER

GB

Thank you for purchasing your new POINT dishwasher. These operating instructions will help you use it properly and safely. We recommend that you spend some time reading this instruction manual in order that you fully understand all the operational features it offers. Read all the safety instructions carefully before use and keep this instruction manual for future reference.

NO

Takk for at du kjøpte din nye oppvaskmaskinen fra POINT. Denne bruksanvisningen vil hjelpe deg med å bruke den på en trygg og riktig måte. Vi anbefaler at du tar deg tid til å lese gjennom hele bruksanvisningen for å bli fortrolig med alle funksjonene som tilbys. Les alle sikkerhetsanvisningene nøye før bruk, og oppbevar bruksanvisningen for fremtidig referanse.

FI

Kiitos, kun valitsit uuden POINT-Astianpesukoneen. Nämä käyttöohjeet opastavat sinua käyttämään laitetta oikein ja turvallisesti. On suositeltavaa käyttää aikaa tämän käyttöoppaan lukemiseen, jotta ymmärrät täysin, mitä toiminnallisia ominaisuuksia tuote tarjoaa. Lue kaikki turvallisuusohjeet huolellisesti ennen laitteen käyttöä ja säilytä käyttöopas myöhempää käyttöä varten.

DK

Tak for købet af din nye opvaskemaskine fra POINT. Disse brugervejledninger hjælper dig med at bruge dette apparat rigtigt og sikkert. Vi anbefaler, at du læser denne brugervejledning, så du får en fuld forståelse af hvordan alle funktionerne virker. Læs sikkerhedsforskrifterne grundigt inden brug, og gem denne brugervejledning til senere brug.

SE

Tack för att du har köpt en ny diskmaskinen från POINT. Denna bruksanvisning hjälper dig att använda den på ett säkert och korrekt sätt. Vi rekommenderar att du tar dig tid att läsa igenom denna bruksanvisning för att till fullo förstå alla driftfunktioner som den erbjuder. Läs noga igenom alla säkerhetsinstruktioner före användning och spara bruksanvisningen för framtida bruk.

Instruction Manual – English	page	4 - 38
Bruksanvisning – Norsk	side	39 - 73
Käyttöopas - Suomi	sivu	74 - 108
Brugervejledning – Dansk	side	109 - 143
Bruksanvisning – Svenska	sida	144 - 178

GB

NO

FI

DK

SE

IMPORTANT SAFETY INSTRUCTIONS

WARNING

When using your dishwasher, follow the precautions listed below:

- This appliance is intended to be used in household and similar applications such as:
 - staff kitchen areas in shops, offices and other working environments;
 - farm houses;
 - by clients in hotels, motels and other residential type environments;
 - bed and breakfast type environments.
- This appliance can be used by children aged from 8 years and above and persons with reduced physical, sensory or mental capabilities or lack of experience and knowledge if they have been given supervision or instruction concerning use of the appliance in a safe way and understand the hazards involved. Children shall not play with the appliance. Cleaning and user maintenance shall not be made by children without supervision. (For EN60335-1)
- This appliance is not intended for use by persons (including children) with reduced physical, sensory or mental capabilities, or lack of experience and knowledge, unless they have been given supervision or instruction concerning use of the appliance by a person responsible for their safety. (For IEC60335-1)
- This appliance is for indoor household use only.
- To protect against the risk of electrical shock, do not

immerse the appliance, mains power cable or plug in water or other liquid.

- Unplug before cleaning and maintaining the appliance.
- Use a soft cloth moisten with mild soap, and then use a dry cloth to wipe it again.

Earthing Instructions

- This appliance must be earthed. In the event of a malfunction or breakdown, earthing will reduce the risk of an electric shock by providing a path of least resistance of electric current. This appliance is equipped with a mains power cable having an equipment-earthing conductor and an earthing plug.
- The plug must be plugged into an appropriate mains power outlet that is installed and earthed in accordance with all local codes and ordinances.
- Do not modify the plug provided with the appliance; If it does not fit the mains power outlet. Have a proper mains power outlet installed by a qualified electrician.
- Improper connection of the equipment-earthing conductor can result in the risk of an electric shock. Check with a qualified electrician or service representative if you are in doubt whether the appliance is properly earthed.

General use

- Do not abuse, sit on, or stand on the door or dish rack of the dishwasher.
- Do not operate your appliance unless all enclosure panels are properly in place.
- Open the door very carefully if the appliance is

operating, there is a risk of water squirting out.

- Do not place any heavy objects on or stand on the door when it is open. The appliance could tip forward.
- When loading items to be washed:
 - Locate sharp items so that they are not likely to damage the door seal;
 - **Warning:** Knives and other utensils with sharp points must be loaded in the basket with their points down or placed in a horizontal position.
- Check that the detergent powder is empty after completion of the wash cycle.
- Do not wash plastic items unless they are marked dishwasher safe or the equivalent. For plastic items without mark, check the manufacturer's recommendations.
- Use only detergent additives designed for an automatic dishwasher.
- Never use soap, laundry detergent, or hand washing detergent in your appliance.
- Children should be supervised to ensure that they do not play with the appliance.
- The door should not be left open, since this could increase the risk of tripping.
- If the supply cord is damaged, it must be replaced by the manufacturer or its service agent or a similarly qualified person in order to avoid a hazard.
- During installation, the power supply must not be excessively or dangerously bent or flattened.
- Do not tamper with controls.

- The appliance is to be connected to the water mains using new hose sets and that old hose-sets should not be reused.
- The maximum permissible inlet water pressure is 1MPa.
- The minimum permissible inlet water pressure is 0.04MPa.

Disposal

- For disposing of package and the appliance go to a recycling center. Cut off the mains power cable and make the door closing device unusable.
- Cardboard packaging is manufactured from recycled paper and should be disposed in the waste paper collection for recycling.
- By ensuring this product is disposed of correctly, you will help prevent potential negative consequences for the environment and human health, which could otherwise be caused by inappropriate waste handling of this product.
- For more detailed information about recycling of this product, contact your local city office and your household waste disposal service.
- **DISPOSAL:** Do not dispose this product as unsorted municipal waste. Collection of such waste separately for special treatment is necessary.

QUICK USER GUIDE

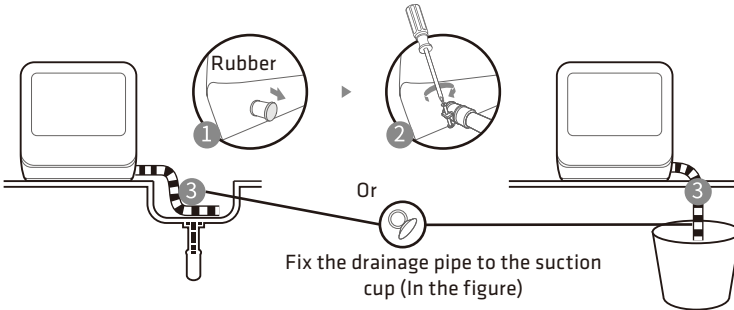
Read the corresponding content on the instruction manual for more detailed instructions.

Connected to power supplies

The power supply is 220-240VAC 50 Hz

The specification of the socket is 10 A 250 VAC

The connection of the drain pipe: Put end of the drain into a sink or bucket. Fix the drain pipe with the back pipe of the machine. The interface is fitted with clamps and tightened with a screwdriver.



Adding water into the dishwasher's tank

Note: Before adding water, you need to press the power button to turn on the dishwasher

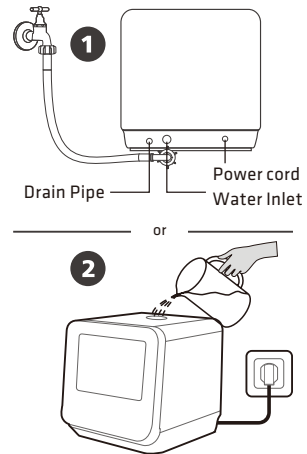
There are two ways to add water into the tank:

1. Connect inlet hose to the tap;
2. Open the cap and add water into the dishwasher's tank manually

When the tank is full of water, the dishwasher will beep for 3 seconds.

Removing large residue

Remove the large residue before placing.

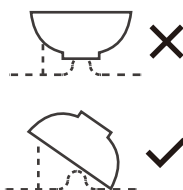
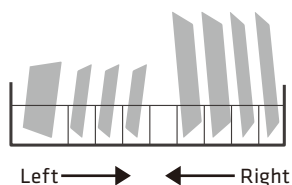




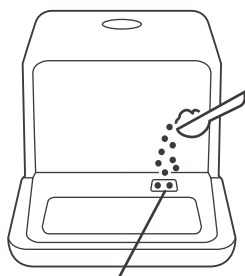
Opening the door, placing the dishes and adding detergent

Placing order by size and from the two sides to the middle. All cutlery should be tilted to improve cleaning performance.

The arm will be blocked with the improper placement of the cutlery and this will affect the cleaning performance.

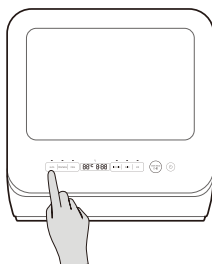
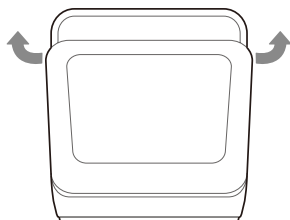


Do not place the items to be cleaned in the wrong direction as this may affect the cleaning performance. Try to leave the dirty face towards the spray arm.



Insert detergent here.

Closing the door, selecting the program and starting the dishwasher

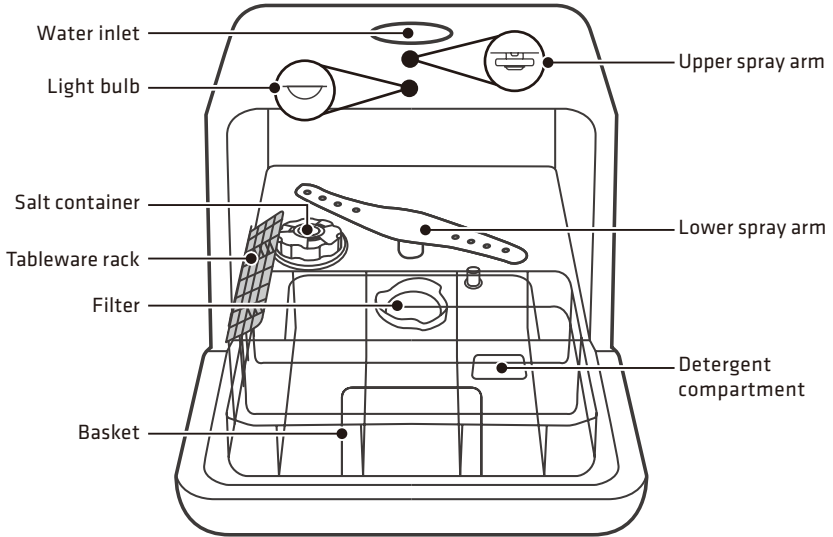


GETTING TO KNOW YOUR DISHWASHER

IMPORTANT:

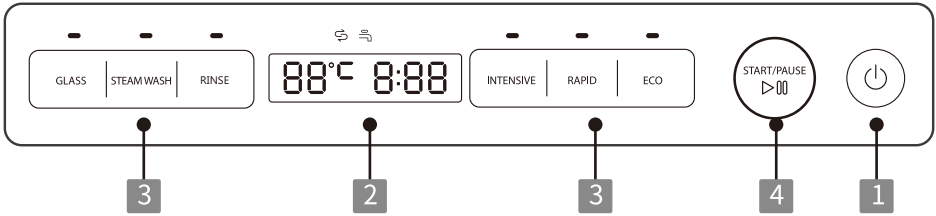
Before using this dishwasher for the first time and to get the best performance, read these instructions.


Dishwasher features



Water bottle

Control panel



1	Power	Power on/off
2	Display	<p>When a program is selected, it shows the highest temperature and length of the program. When the program starts, it shows the actual water temperature and the remaining time of the program.</p> <p> Water insufficient indicator</p>
3	Program	<p>Select the appropriate washing program and corresponding indicator will light up.</p> <p>GLASS For slight dirty dishes and glasses.</p> <p>STEAM WASH With the best washing performance. High temperature steam is generated in the first 5 minutes which can soften stains and kill bacteria.</p> <p>RINSE To rinse dishes that you plan to wash later that day, and also suitable for rinsing fruits.</p> <p>INTENSIVE For dishes with oil stains and heavy dirty cooking utensils and dishes.</p> <p>RAPID For slight dirty dishes, the required cleaning time is relatively short.</p> <p>ECO For general dirty dishes and utensils (such as pots, plates, glasses, pans).</p>
4	Start / Pause	To start or pause the washing process of the dishwasher.

GB

USING YOUR DISHWASHER

NOTE:

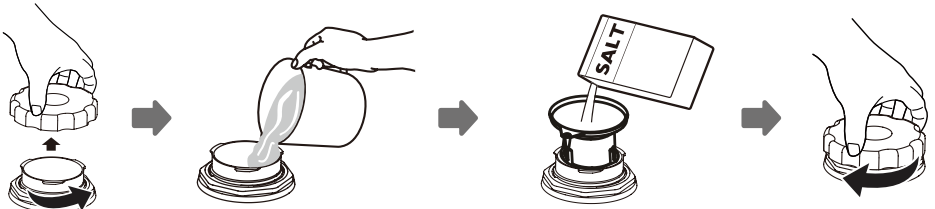
If your model has no water softener, you may skip this section.

Loading salt into the softener

Always use salt intended for use with a dishwasher. The salt container is located beneath the basket and should be filled as follows:

WARNING

- Only use salt specifically designed for dishwasher use! Every other type of salt not specifically designed for dishwasher use, especially table salt, will damage the water softener. In case of damages caused by the use of unsuitable salt the manufacturer does not give any warranty nor is liable for any damages caused.
- Only fill with salt before running a cycle. This will prevent any grains of salt or salty water, which may have been spilled, remaining on the bottom of the dishwasher for any period of time, which may cause corrosion.



- Remove the basket and then unscrew and remove the cap from the salt container.
- Before first wash, add 1L of water in the salt container of your dishwasher.
- Place the end of the funnel (excluded) into the hole and introduce about, 0.13kg of salt. It is normal for a small amount of water to come out of the salt container.
- After filling the container, screw the cap tightly back clockwise.
- Usually, the salt warning light will be cease to be illuminated within
2-6 days after the salt container has been filled with salt.
- Immediately after filling the salt into the salt container, a washing program should be started (suggest choose rapid program).

Otherwise filter system, pump or other important parts of the machine may be damaged by salty water. It is out of warranty.

NOTE:

- The salt container must only be refilled when the salt warning light on the control panel comes on. Depending on how fully the salt dissolves, the salt warning light may still be on even though the salt container is filled.
- If there is no salt warning light on the control panel (for some models), you can judge when to load the salt into the softener by the cycles that the dishwasher has run.

Adjusting Salt Consumption

Follow the steps below for adjustment in salt consumption.

Step 1: Enter the status of salt adjustment

Close the door, within 60 seconds after power on, press GLASS button and hold for 5 seconds, the dishwasher will enter setting mode.

Step 2: Select a certain level of salt consumption

Press the Glass button to select the proper set according to your local environment, the sets will change in the following sequence: H1->H2->H3->H4->H5->H6.

Step 3: Exit the status of salt adjustment

Without any operation in five seconds, the dishwasher will exit from set mode, and the dishwasher enters standby status.

There are 6 levels of salt consumption in all. It is recommended to select the level according to the below table:

WATER HARDNESS		Setting on the water softener
°dH ¹⁾	Mmol/l ²⁾	
0-5	0-0.94	H1
6-11	1.0-2.0	H2
12-17	2.1-3.0	H3 ³⁾
18-22	3.1-4.0	H4

23-34	4.1-6.0	H5
35-55	6.1-9.8	H6

- 1) German degree of measurement for the water hardness
- 2) Millimol, international unit for water hardness
- 3) Factory setting

Contact your local water board for information on the hardness of your water supply.

Loading the dishwasher baskets

Recommendation

- Consider buying utensils which are identified as dishwasher-proof.
- Use a mild detergent that is described as 'kind to dishes'. If necessary, seek further information from detergent manufacturers.
- For particular items, select a program with as low a temperature as possible.
- To prevent damage, do not take glass and cutlery out of the dishwasher immediately after the program has ended.

Suitability of use in the dishwasher

Not suitable for use:

- Cutlery with wooden, horn, china or mother-of-pearl handles
- Plastic items that are not heat resistant
- Older cutlery with glued parts that are not temperature resistant
- Bonded cutlery items or dishes
- Pewter or copper items
- Crystal glass
- Steel items subject to rusting
- Wooden items
- Items made from synthetic fibres

Limited suitability:

- Some glasses can become dull after a large number of washes.
- Silver and aluminium have a tendency to discolour during washing.
- Glazed patterns may fade if washed frequently.

Attention before or after loading the dishwasher baskets

(For the best performance of the dishwasher, follow these loading guidelines. Features and appearance of baskets and cutlery baskets may vary from your model.)

Scrape off any large food particles. Soften remnants of burnt food in pans. It is not necessary to rinse the dishes under running water. Place objects in the dishwasher in following way:

- Items such as cups, glasses, pots/pans, etc. are face downwards.
- Curved items, or those with recesses, should be loaded at aslant so that water can run off.
- All utensils are stacked securely and can not tip over
- All utensils are placed in the way that the spray arms can rotated freely during washing.

NOTE:

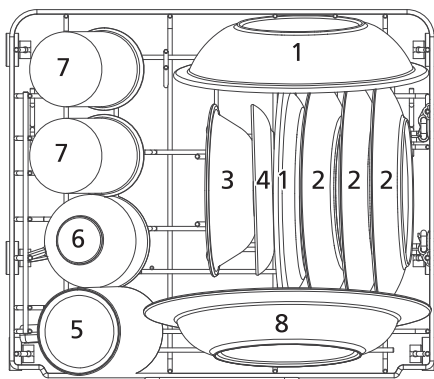
Very small items should not be washed in the dishwasher as they could easily fall out of the basket.

- Load hollow items such as cups, glasses, pans etc. with the opening facing downwards so that water cannot collect in the container or a deep base.
- Dishes and items of cutlery must not lie inside one another, or cover each other.
- To avoid damage to glasses, they must not be touched.
- Long bladed knives stored in an upright position are a potential hazard!
- Long and/or sharp items of cutlery such as carving knives must be positioned horizontally in the basket.
- Do not overload your dishwasher. This is important for good results and for reasonable energy consumption.

• Loading the basket according to EN60436

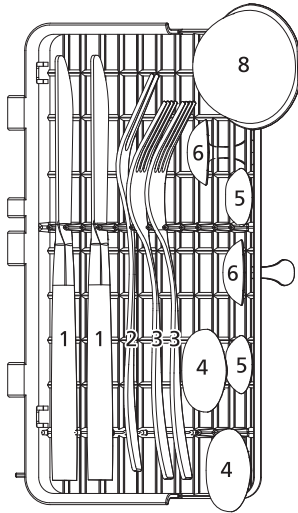
Loading the basket

Position the dishes and cookware so that they will not get moved by the spray of water.



Number	Item
1	Melamine dessert plate
2	Dessert plate
3	Dessert bowl
4	Saucer
5	Mug
6	Cup
7	Glass
8	Soup plate

Loading the cutlery basket



Number	Item
1	Knife
2	Serving fork
3	Fork
4	Soup spoon
5	Teaspoon
6	Dessert spoon
7	Serving spoon
8	Gravy ladle


For personal safety and a top quality clean, make sure place the silverware in the basket as follows:

- They do not nest together.
- Place silverware with handles-down.
- But place knives and other potentially dangerous utensils handles-up.

Filling the dispenser

The rinse aid is released during the final rinse to prevent water from forming droplets on your dishes and utensils, which can leave spots and streaks.

WARNING

- **Only use detergent specifically for dishwashers.** Never use any other rinse aid and detergents. This will damage the dishwasher.
-  **Dishwasher detergent is corrosive! Keep dishwasher detergent out of the reach of children.**

Concentrated Detergent

Based on their chemical composition, detergents can be split in two basic types:

- Conventional, alkaline detergents with caustic components.
- Low alkaline concentrated detergents with natural enzymes.

The use of Normal washing program in combination with concentrated detergent reduces pollution and is good for your dishes.

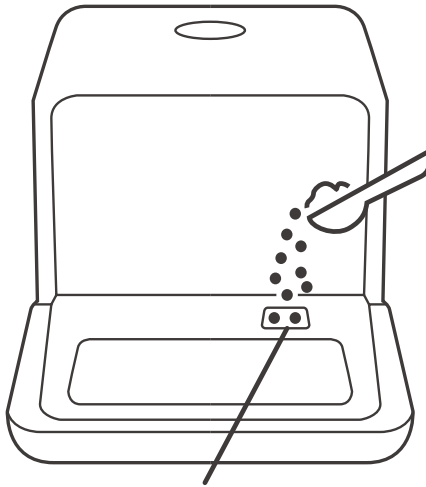
Detergent Tablets

Detergent tablets of different brands dissolve at different speeds. For this reason some detergent tablets cannot dissolve and develop their full cleaning power during short Programs. Therefore use long programs when using detergent tablets, to ensure the complete removal of detergent residue.

Detergent

The detergent must be refilled before the start of each wash cycle following the instructions provided in the Wash Cycle Table. Your dishwasher uses less detergent than a conventional dishwasher. Generally, only one tablespoon of detergent is needed for a normal wash load. More heavily soiled items need more detergent. Always add the detergent just before starting the dishwasher, otherwise it could get damp and will not dissolve properly.

Adding detergent



The place to add the detergent

PROGRAMMING THE DISHWASHER

Wash Cycle Table

The table below shows which programs are best for the levels of food residue on them and how much detergent is needed. It also show various information about the programs.

Program	Description Of Cycle	Detergent	Time (min)	Energy (kWh)	Water (L)
GLASS	Wash (50°C) Rinse Rinse (65°C) Drying	10g	85	0.400	5.0
STEAM WASH	Wash (69°C) Rinse Rinse (70°C) Drying	10g	125	0.500	5.0
RINSE	/	/	6	0.010	5.0
INTENSIVE	Wash(62°C) Rinse Rinse(70°C) Drying	10g	160	0.500	5.0
RAPID	Wash (50°C) Rinse Rinse (60°C)	10g	29	0.350	5.0
ECO (*EN 60436)	Wash (50°C) Rinse Rinse (72°C) Drying	10g	160	0.396	5.0

NOTE:

EN 60436: This program is the test cycle. The information for comparability test in accordance with EN 60436.

Turning on the appliance

Starting a wash cycle...

Draw out the basket (see the section entitled "Loading the Dishwasher").

Pour in the detergent (see the section "Fill the detergent").

Insert the plug into the mains power socket. The power supply is 220-240VAC 50 Hz, the specification of the socket is 10 A 250 VAC.

Press the power button to turn on the dishwasher.

Connect the inlet hose to the tap, make sure that the water supply is turned on to full pressure, or add water to the tank manually.

Select a suitable program according to the "Wash cycle table".

If a program is selected, the response light will be on. Then press the Start/ Pause button, the dishwasher begins to start.

NOTE:

When you press the Start/ Pause to pause during washing, the dishwasher will mooring every minute unless you press the Start/Pause button to start.

Change the program

A wash cycle can only be changed if it has been running for a short time otherwise, the detergent may have already been released and the dishwasher may have already drained the wash water. If this is the case, the dishwasher needs to be reset and the detergent dispenser must be refilled. To reset the dishwasher, follow the instructions below:

1. Press Start/Pause button, than press any program button for more than 3 seconds, the dishwasher will be in standby state.
2. Press the program button to select the desired program.
3. Press the Start/Pause button, the dishwasher will start.

NOTE:

If you want to open the door during washing, press the Start/Pause button to pause the dishwasher first. When you close the door and press the Start/Pause button, the dishwasher will then continue to

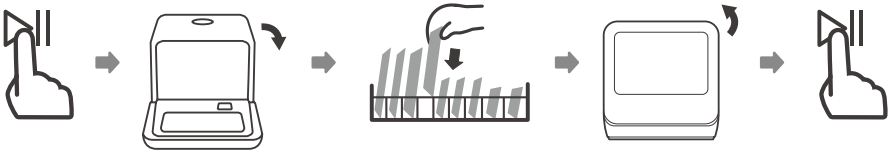
operate after 10 seconds.

If your dishwasher model has broken remember function, it will go on to finish the selected program after the power cut.

Forget to add a dish?

A forgotten dish can be added at any time before the detergent dispenser opens. If this is the case, follow the instructions below:

1. Press the Start/Pause button.
2. Open the door a little to stop the washing.
3. After the spray arms stop working, you can open the door completely.
4. Add the forgotten dishes.
5. Close the door.
6. Press the Start/Pause button and after 10 seconds, the dishwasher will run again.



At the end of the Wash Cycle

When the working cycle has finished, the buzzer of dishwasher will sound for 8 seconds, then stop. Turn off the dishwasher using the ON/OFF button, shut off the water supply and open the door of the dishwasher. Wait a few minutes before unloading the dishwasher to avoid scalding yourself, the dishes and utensils are still hot and more susceptible to breakage. They will also dry better.

⌘ Switch Off the Dishwasher

1. Switch off the dishwasher by pressing the ON/OFF button.
2. Turn off the water tap!

⌘ Open the door carefully

Hot dishes are sensitive to knocks. The dishes should be allowed to cool down for around 15 minutes before removing from dishwasher.

Open the dishwasher's door, leave it ajar and wait a few minutes before removing the dishes. In this way they will be cooler and the drying will be improved.

⌘ Unloading the dishwasher

It is normal that the dishwasher is wet inside.

WARNING

It is dangerous to open the door when washing, because the hot water may scald you.

Forced drainage operation

In standby mode, you can press and hold "GLASS" button + "ECO" button for 3 seconds simultaneously to drain the water tank.

MAINTENANCE AND CLEANING

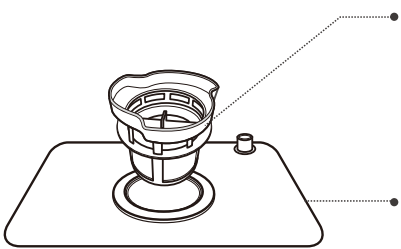
Filter system

WARNING

- ⌘ **Never use the dishwasher without filters!**
- ⌘ **Make sure the filter is properly assembled.**

The performance may be affected and dishes and utensils could become damaged.

The filter efficiently removes food particles from the wash water, allowing it to be recycled during the cycle. For best performance and results, the filter assembly must be cleaned regularly. For this reason, it is a good idea to remove the larger food particles trapped in the filter after each wash cycle by rinsing the filter and cup under running water. To remove the filter assembly, pull the cup handle in an upwards direction.



B. Fine filter

This filter holds soil and food residue in the sump area and prevents it from being deposited on the dishes during the wash cycle.

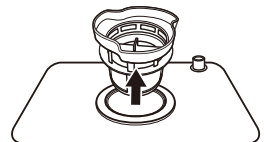
A. Main filter

Food and soil particles trapped in this filter are pulverized by a special jet on the lower spray arm and washed down to the drain.

Step 1: Rotate the filter assembly counterclockwise to loosen it.



Step 2: Lift the fine filter up from the main filter.



NOTE:

As you go from step 1 to step 2, the filter system will be removed; while if you do it from Step 2 to Step 1, the filter system will be installed. The entire filter assembly should be cleaned once a week.

- ⌘ Inspect the filters for blockages after every time the dishwasher has been used.
- ⌘ By unscrewing the coarse filter, you can remove the filter system. Remove any food remnants and clean the filters under running water.

WARNING

When cleaning the filters, don't knock on them. Otherwise, the filters could be contorted and the performance of the dishwasher could be decreased.

Caring for the Dishwasher

The control panel can be cleaned by using a lightly dampened cloth. After cleaning, make sure to dry it thoroughly. For the exterior use a good appliance polish wax. Never use sharp objects, scouring pads or harsh cleaners on any part of the dishwasher.

Cleaning The Door

To clean the edge around the door, you should use only a soft warm, damp cloth. To avoid penetration of water into the door lock and electrical components, do not use a spray cleaner of any kind.

WARNING

- ⌘ Never use a spray cleaner to clean the door panel as it may damage the door lock and electrical components.
- ⌘ Abrasive agents or some paper towel should not be used because of the risk of scratching or leaving spots on the stainless steel surface.

Protect against freezing

Take frost protection measures on the dishwasher in winter. Each time after washing cycles, operate as follows.

1. Cut off the electrical power to the dishwasher.
2. Turn off the water supply and disconnect the water inlet pipe from

the water valve.

3. Drain water from the inlet pipe and water valve (use a pan to catch the water).
4. Reconnect the water inlet pipe to the water valve.
5. Remove the filter at the bottom of the tub and use a sponge to soak up water in the sump.

NOTE:

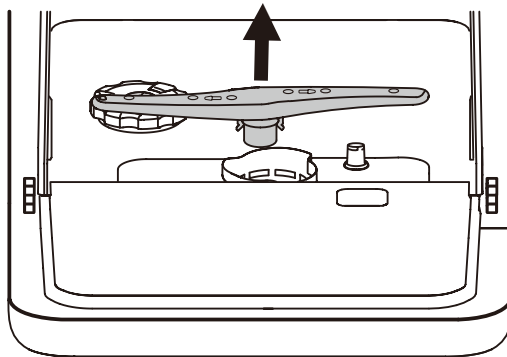
If your dishwasher cannot work because of the ice, contact an authorised service person.

Operating Temperature: this product is suggested operating in an environment above 0 °C to prevent frost damage.

Cleaning the spray arms

The spray arms can be easily removed for periodic cleaning of the nozzles to prevent possible clogging. Wash them under running water and carefully replace them in their seats, checking that their rotary movement is in no way impeded.

Grasp the middle of the spray arm, pull it upwards to remove it. Wash the arms under a jet of running water and replace it carefully to its seat. After reassembly, check that the spray arms rotate freely. Otherwise, check that they have been installed correctly.



How to keep your dishwasher in shape

After every wash

After every wash, turn off the water supply to the dishwasher and leave the door slightly open so that moisture and odours are not trapped inside.

Remove the plug

Before cleaning or performing maintenance, always remove the plug from the mains power socket.

No solvents or abrasive cleaning

To clean the exterior and rubber parts of the dishwasher, do not use solvents or abrasive cleaning products. Only use a cloth with warm soapy water.

To remove spots or stains from the surface of the interior, use a cloth dampened with water and a little vinegar, or a cleaning product made specifically for dishwashers.

When not in use for a longtime

It is recommended that you run a wash cycle with the dishwasher empty and then remove the plug from the mains power socket, turn off the water supply and leave the door of the dishwasher slightly open. This will help the door seals to last longer and prevent odours from forming within the dishwasher.

Moving the dishwasher

If the dishwasher must be moved, try to keep it in the vertical position. If absolutely necessary, it can be positioned on its back.

INSTALLATION

WARNING



Electrical Shock Hazard

Disconnect electrical power before installing dishwasher. Failure to do so could result in death or electrical shock.

Attention

The installation of the pipes and electrical equipments should be done by professionals.

Installation preparation

The installation position of dishwasher should be near the existing water inlet tap and drain outlet and power socket.

One side of the cabinet sink should be chosen to facilitate the connection of drain hoses of the dishwasher.

Positioning the dishwasher

Position the dishwasher in the desired location. The back should rest against the wall behind it, and the sides, along the adjacent cabinets or wall. The dishwasher is equipped with water supply and drain hoses that can be positioned to the right or the left to facilitate proper installation.

About Power Connection

WARNING

For personal safety:

- ⌘ Do not use an extension cord or an adapter plug with this dishwasher.
- ⌘ Do not, under any circumstances, cut or remove the earthing connection from the mains power cable.

Electrical requirements

Look at the rating label to know the rating voltage and connect the dishwasher to the appropriate power supply. Use the required fuse 10 amp, time delay fuse or circuit breaker recommended and provide separate circuit serving only this appliance.

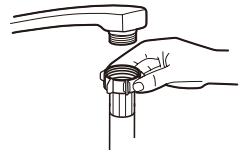
Electrical Connection

Ensure the voltage and frequency of the power being corresponds to those on the rating plate. Only insert the plug into a mains power socket which is earthed properly. If the electrical socket to which the appliance must be connected is not appropriate for the plug, replace the socket, rather than using a adaptor or the like as they could cause overheating and burns.

⚠ Ensure that proper earthing exists before use

Water Connection

Connect the cold water supply hose to a threaded 3/4(inch) connector and make sure that it is fastened tightly in place. If the water pipes are new or have not been used for an extended period of time, let the water run to make sure that the water is clear and free of impurities. If this precaution is not taken, there is a risk that the water inlet can get blocked and damage the dishwasher.

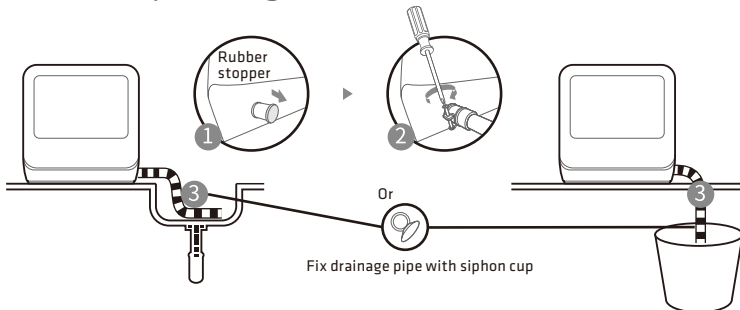


NOTE:

If the supplied hose close not fit your tap, contact your local plumbing supply center where adapters are available for purchase.

Connection of drain hoses

Fix the drain pipe with the back pipe of the dishwasher. The interface is fitted with clamps and tightened with a screwdriver.



The connection of the drain pipe: Put end of the drain into a sink or bucket.

How to Drain Excess Water From Hoses

If the sink is more than 1000 mm higher than the floor, the excess water in the hoses cannot be drained directly into the sink. It will be necessary to drain excess water from the hoses into a bowl or suitable container that is held outside and lower than the sink.

Water Outlet

Connect the water drain hose. The drain hose must be correctly fitted to avoid water leaks. Ensure that the water drain hose is not kinked or squashed.

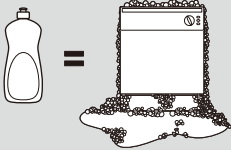
Extension Hose

If you need a drain hose extension, make sure to use a similar drain hose. It must be no longer than 4 meters, otherwise the cleaning effect of the dishwasher could be reduced.

TROUBLESHOOTING TIPS

Before calling for service

Reviewing the charts on the following pages may save you from calling for service.

Problem	Possible Causes	What To Do
Dishwasher doesn't start	Fuse blown, or the circuit break tripped.	Replace fuse or reset circuit breaker. Remove any other appliances sharing the same circuit with the dishwasher.
	Power supply is not turned on.	Make sure the dishwasher is turned on and the door is closed securely. Make sure the mains power cable is properly plugged into the socket.
	Water inflow abnormal; Water pressure is low.	Check that the water supply is connected properly and the water is turned on.
	Door of the dishwasher not properly closed.	Make sure to close the door properly and latch it.
Water not pumped form dishwasher	Water not pumped form dishwasher.	Check the drain hose.
	Filter clogged.	Check the coarse filter.
	Kitchen sink clogged.	Check the kitchen sink to make sure it is draining well. If the problem is the kitchen sink that is not draining, you may need a plumber rather than a serviceman for dishwashers.
Suds in the tub	Wrong detergent. 	Use only the dedicated dishwasher detergent to avoid suds. If suds exist in the washer. Open the door for 20-30 minutes to allow the foam to evaporate. If the foam still exists in the liner. Add 1.5L of water to the liner, close the dishwasher door and run a forced drain to drain it with the water. Repeat this operation until the foam is cleared.
	Spilled rinse-aid.	Always wipe up rinse-aid spills immediately.
Stained tub interior	Detergent with colourant may have been used.	Make sure that the detergent has no colourant.

Problem	Possible Causes	What To Do
White film on inside surface	Hard water minerals.	To clean the interior, use a damp sponge with dishwasher detergent and wear rubber gloves. Never use any other cleaner than dishwasher detergent otherwise, it may cause foaming or suds.
There are rust stains on cutlery	The affected items are not corrosion resistant.	Avoid washing items that are not corrosion resistant in the dishwasher.
	A program was not run after the dishwasher salt was added. Traces of salt have gotten into the wash cycle.	Always run a wash program without any crockery after adding salt. Do not select the Turbo function (if present).
	The lid of the softer is loose.	Check the softener lid is secure.
Knocking noise in the dishwasher	A spray arm is knocking against an item in a basket	Interrupt the program and rearrange the items which are obstructing the spray arm.
Rattling noise in the dishwasher	Items of crockery are loose in the dishwasher.	Interrupt the program and rearrange the items of crockery.
Knocking noise in the water pipes	This may be caused by on-site installation or the cross-section of the piping.	This has no influence on the dishwasher function. If in doubt, contact a qualified plumber.
The dishes are not clean	The dishes were not loaded correctly.	See notes in "Loading & unloading your dishwasher".
	The program was not powerful enough.	Select a more intensive program.
	Not enough detergent was dispensed.	Use more detergent, or change your detergent.
	Items are blocking the movement of the spray arms.	Rearrange the items so that the spray arms can rotate freely.
	The filter combination is not clean or is not correctly fitted in the base of wash cabinet. This may cause the spray arm jets to get blocked.	Clean and/or fit the filter correctly. Clean the spray arm jets.
Cloudiness on glassware.	Combination of soft water and too much detergent.	Use less detergent if you have soft water and select a shorter cycle to wash the glassware and to get them clean.

Problem	Possible Causes	What To Do
White spots appear on dishes and glasses.	Hard water area can cause limescale deposits.	Add more detergent.
Black or grey marks on dishes	Aluminium utensils have rubbed against dishes.	Use a mild abrasive cleaner to eliminate those marks.
Detergent left in dispenser	Dishes block detergent dispenser.	Re-loading the dishes properly.
The dishes are not drying.	Improper loading	Load the dishwasher as suggested in the directions.
	Dishes are removed too soon.	Do not empty your dishwasher immediately after washing. Open the door slightly so that the steam can come out. Take out the dishes until the inside temperature is safe to touch. Unload the lower basket first to prevent the dropping water from the upper basket.
	Wrong program has been selected.	With a short program, the washing temperature is lower, decreasing cleaning performance. Choose a program with a long washing time.
	Use of cutlery with a low-quality coating.	Water drainage is more difficult with these items. Cutlery or dishes of this type are not suitable for washing in the dishwasher.

Error signals

When some malfunctions come on, the dishwasher will show a signal to warn you:

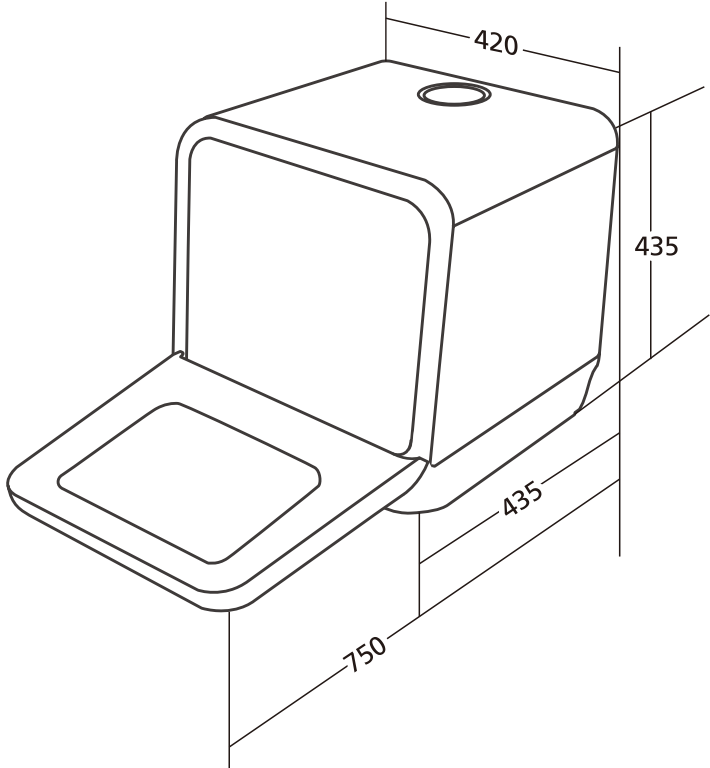
Signals	Meanings	Possible Causes
E1	Longer inlet time.	A flow meter, drain valve, or pump failure, it should be repaired by a qualified worker.
E3	Not reaching required temperature	Heating tube or thermistor anomaly, it should be repaired by a qualified worker.
E4	Overflow.	Some element of dishwasher leaks.

E9	Touch button adhesion	Water or other material in the key area causes it or it should be repaired by a qualified worker.
Ed	Communication anomaly	It should be repaired by a qualified worker.
EA	Steam generator anomaly	It should be repaired by a qualified worker.

WARNING

- ⌘ If overflow occurs, turn off the main water supply before calling service.
- ⌘ If there is water in the base pan because of an overflow or small leak, the water should be removed before restarting the dishwasher.

TECHNICAL INFORMATION



GB

Height	435 mm
Width	420 mm
Depth	435 mm
Voltage connected Load	see rating label
Water pressure	0.04 - 1.0 MPa
Power supply	see rating label
Capacity	2 place settings

Product information sheet (En60436)

Supplier's name or trade mark:				
Supplier's address:				
Model identifier: PTDW1				
General product parameters:				
Parameter	Value	Parameter	Value	
Rated capacity ^(a) (ps)	2	Dimensions in cm	Height	43.5
			Width	42.0
			Depth	43.5
EEI ^(a)	62.9	Energy efficiency class ^(a)	G ^(c)	
Cleaning performance index ^(a)	1.13	Drying performance index ^(a)	0.86	
Energy consumption in kWh [per cycle], based on the eco programme using cold water fill. Actual energy consumption will depend on how the appliance is used.	0.396	Water consumption in litres [per cycle], based on the eco program. Actual water consumption will depend on how the appliance is used and on the hardness of the water.	5.0	
Program duration ^(a) (h:min)	2:40	Type	Free standing	
Airborne acoustical noise emissions ^(a) (dB(A) re 1 pW)	58	Airborne acoustical noise emission class ^(a)	D ^(c)	
Off-mode (W)	0.49	Standby mode (W)	N/A	
Delay start (W) (if applicable)	1.00	Networked standby (W) (if applicable)	N/A	
Minimum duration of the guarantee offered by the supplier ^(b):				
Additional information:				
Weblink to the supplier's website, where the information in point 6 of Annex II to Commission Regulation (EU) 2019/2022 ⁽¹⁾ ^(b) is found:				
(a) for the eco program.				
(b) changes to these items shall not be considered relevant for the purposes of paragraph 4 of Article 4 of Regulation (EU) 2017/1369.				
(c) if the product database automatically generates the definitive content of this cell the supplier shall not enter these data.				
(1) Commission Regulation (EU) 2019/2022 of 1 October 2019 laying down eco design requirements for household dishwashers pursuant to Directive 2009/125/EC of the European Parliament and of the Council amending Commission Regulation (EC) No 1275/2008 and repealing Commission Regulation (EU) No 1016/2010 (see page 267 of this Official Journal).				

SPECIFICATION

Model: PTDW1

Rated Voltage: AC220-240V 50Hz

Power Consumption: 730-860W



This symbol on the product or in the instructions means that your electrical and electronic equipment should be disposed at the end of its life separately from your household waste. There are separate collection systems for recycling in the EU. For more information, please contact the local authority or your retailer where you purchased the product.

Power International AS,
PO Box 523, N-1471 Lørenskog, Norway

Power Norge:
<https://www.power.no/kundeservice/>
T: 21 00 40 00

Power Danmark:
<https://www.power.dk/kundeservice/>
T: 70 33 80 80

Punkt 1 Danmark:
<https://www.punkt1.dk/kundeservice/>
T: 70 70 17 07

Power Finland:
<https://www.power.fi/tuki/asiakaspalvelu/>
T: 0305 0305

Power Sverige:
<https://www.power.se/kundservice/>
T: 08 517 66 000

VIKTIGE SIKKERHETSANVISNINGER

ADVARSEL

Når du bruker oppvaskmaskinen, følger du forholdsreglene nedenfor:

- Dette apparatet er beregnet for bruk i husholdninger og lignende bruksområder som:
 - personalrom i butikker, på kontorer og andre arbeidsplasser;
 - gårdsbruk;
 - av gjester i hoteller, moteller og andre bosteder;
 - enkle overnattingssteder.
- Dette apparatet kan brukes av barn over 8 år og personer med reduserte fysiske-, sensoriske- eller mentale evner eller mangel på erfaring og kunnskap hvis de er under tilsyn eller har mottatt anvisning om bruk av apparatet på en sikker måte og forstår farene dette innebærer. Barn må ikke leke med apparatet. Rengjøring og brukervedlikehold må ikke utføres av barn uten tilsyn. (For EN60335-1)
- Dette apparatet skal ikke brukes av personer (inklusive barn) med reduserte fysiske evner, sansevner eller mentale evner, eller som mangler erfaring og kunnskap, med mindre de er under oppsyn eller har fått instruksjoner som gjelder bruk av apparatet av en person som er ansvarlig for deres sikkerhet. (For IEC60335-1)
- Dette apparatet er kun til innendørs husholdningsbruk.
- For å beskytte mot elektrisk støt må du ikke sette

apparatet, strømkabelen eller støpselet i vann eller annen væske.

- Vær forsiktig når du rengjør og vedlikeholder apparatet.
- Bruk en myk klut fuktet med mild såpe, og bruk deretter en tørr klut til å tørke den igjen.

Instruksjoner om jording

- Dette apparatet må jordes. Ved funksjonsfeil eller sammenbrudd vil jording redusere risikoen for elektrisk støt ved å gi en bane med minst mulig motstand for elektrisk strøm. Apparatet er utstyrt med en strømkabel med jordleder og jordingskontakt.
- Pluggen må kobles til et egnet strømuttak som er installert og jordet i samsvar med alle lokale regler og forskrifter.
- Ikke modifier støpselet som følger med apparatet hvis det ikke passer i stikkkontakten. Få en kvalifisert elektriker til å installere en egnet stikkontakt.
- Feil tilkobling av utstyrets jordingskontakt kan utgjøre en fare for elektrisk støt. Kontakt en kvalifisert elektriker eller servicerepresentant hvis du er i tvil om apparatet er riktig jordet.

Generell bruk

- Ikke misbruk, sitt på eller stå på døren eller tallerkenstativet til oppvaskmaskinen.
- Ikke bruk apparatet med mindre alle panelene er riktig på plass.
- Åpne døren veldig forsiktig hvis apparatet er i gang; det er fare for at vann spruter ut.

- Ikke plasser tunge gjenstander på eller stå på døren når den er åpen. Apparatet kan vippe fremover.
- Når du legger inn gjenstander som skal vaskes:
 - Plasser skarpe gjenstander slik at de ikke sannsynlig kan skade dørpakningen.
 - **Advarsel:** Kniver og andre redskaper med skarpe steder må legges i kurven med de skarpe stedene vendt nedover eller plassert vannrett.
- Sjekk at oppvaskmiddelpulveret er tomt når vaskesyklusen er fullført.
- Ikke vask plastprodukter med mindre de er merket med «oppvaskmaskin» eller tilsvarende. For plastvarer som ikke er merket, sjekker du anbefalingene til produsenten.
- Bruk bare oppvaskmiddel designet for automatisk oppvaskmaskin.
- Bruk aldri såpe, klesvaskemiddel eller håndoppvaskmiddel i apparatet.
- Barn må være under tilsyn for å sikre at de ikke leker med apparatet.
- Døren skal ikke stå åpen, da man kan snuble i den.
- Hvis strømledningen er skadet, må den skiftes av produsenten, produsentens servicerepresentant eller tilsvarende fagperson for å unngå fare.
- Under installasjon må strømforsyningen ikke bli bøyd eller flatet ut for mye.
- Ikke tukle med kontrollene.
- Apparatet skal kobles til vannledningen med nye slangesett, og gamle slangesett skal ikke brukes på nytt.

- Det maksimalt tillatte innløpsvannstrykket er 1 MPa.
- Det minste tillatte innløpsvannstrykket er 0,04 MPa.

Avhending

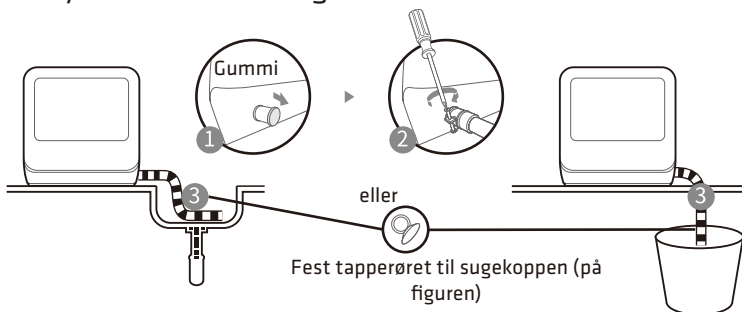
- Emballasjen og apparatet skal deponeres på miljøstasjon. Kutt av strømkabelen, og gjør det umulig å lukke døren.
- Pappemballasjen er laget av resirkulert papir og bør kastes sammen som annet papiravfall til resirkulering.
- Ved å sørge for at produktet avhendes på riktig måte vil du bidra til å motvirke de negative konsekvensene som feilaktig avfallshåndtering av dette produktet kan medføre for miljøet og menneskers helse.
- Du får mer inngående informasjon om resirkulering av dette produktet ved å ta kontakt med kommunen og det lokale renovasjonsselskapet.
- **DEPONERING:** Ikke avhend dette produktet som usortert kommunalt avfall. Det er nødvendig med separat innsamling for slikt avfall for spesiell behandling.

RASK BRUKERVEILEDNING

Les tilsvarende innhold i bruksanvisningen for mer detaljerte instruksjoner.

Koblet til strømforsyninger

Strømforsyningen er 220–240 V vekselstrøm 50 Hz
Spesifikasjonen for stikkkontakten er 10 A 250 V vekselstrøm
Tilkoblingen til tapperøret: Sett enden av tapperøret i en vask eller bøtte. Fest tapperøret til bakrøret på maskinen. Grensesnittet er utstyrt med klemmer og strammes med en skrutrekker.



Legge vann i tanken til oppvaskmaskinen

Merk: Før du tilsetter vann, må du trykke strømknappen for å slå på oppvaskmaskinen

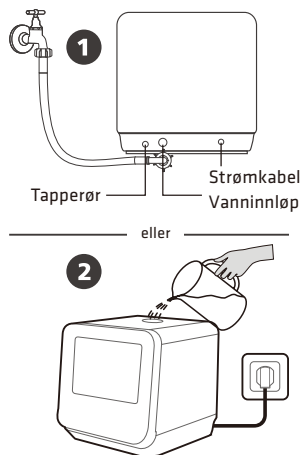
Det er to måter å legge vann i tanken:

1. Koble innløpsslangen til kranen;
2. Åpne hetten og tilsett vann manuelt i oppvaskmaskinen

Når tanken er full med vann, piper oppvaskmaskinen i 3 sekunder.

Fjerne store rester

Fjern store rester først.

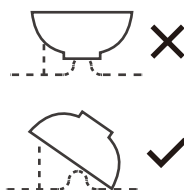
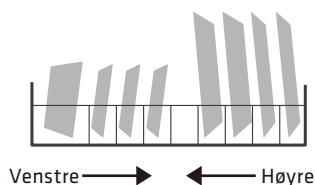




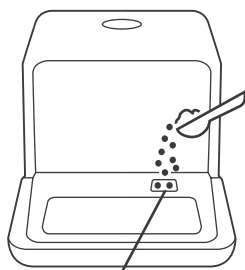
Åpne døren, plassere oppvasken og tilsette oppvaskemiddel

Plasser etter størrelse og fra de to sidene til midten. Alt bestikk bør vippes for å forbedre rengjøringsytelsen.

Armen vil bli blokkert hvis bestikk står feil, og dette vil påvirke rengjøringsytelsen.

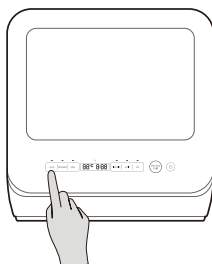
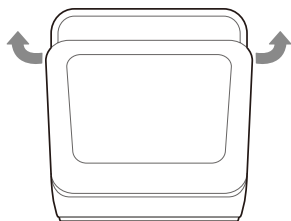


Ikke plasser oppvasken i feil retning, da dette kan påvirke rengjøringsytelsen. Forsøk å la den skitne siden være vendt mot sprayarmen.



Sett inn oppvaskemiddel her.

Lukk døren, velg programmet, og start oppvaskmaskinen

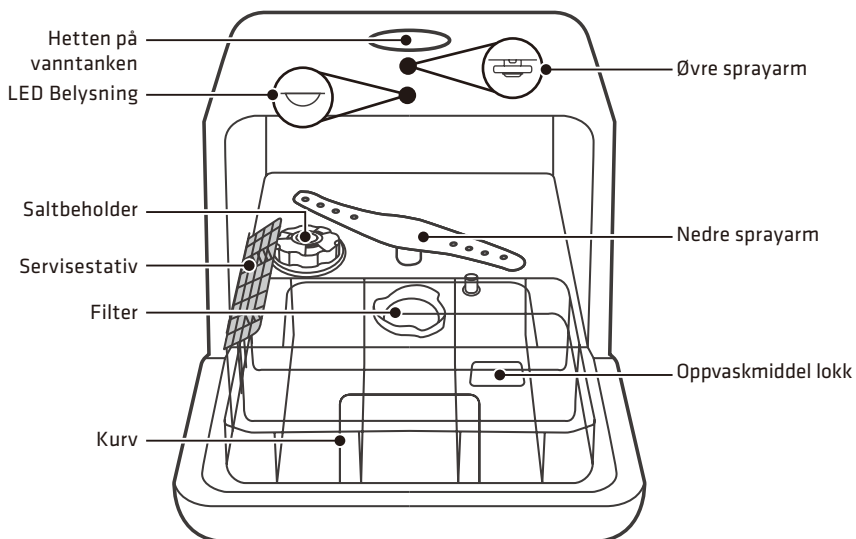


BLI KJENT MED OPPVASKMASKINEN

VIKTIG:

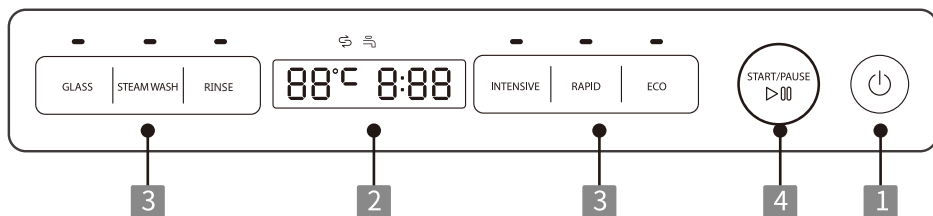
Før du bruker denne oppvaskmaskinen for første gang, og for å få best mulig ytelse, må du lese disse instruksjonene.


Oppvaskmaskinens funksjoner



Vannflaske

Kontrollpanel



1	Effekt	Strøm på/av
2	Skjerm	<p>Når et program er valgt, vises den høyeste temperaturen og lengden på programmet.</p> <p>Når programmet starter, vises den faktiske vanntemperaturen og gjenværende tiden av programmet.</p> <hr/> <p> Indikator ved for lite vann</p>
3	Program	<p>Velg passende oppvaskprogram, så vil tilsvarende indikator lyse.</p> <p>GLASS For litt skitne fat og glass.</p> <p>DAMPVASK Gir den beste vaskeytelsen. Det lages damp i de første 5 minuttene, noe som kan mykne flekker og drepe bakterier.</p> <p>SKYLLE Å skylle oppvask som du planlegger å vaske senere på dagen, og som også er egnet for skylling av frukt.</p> <p>INTENSIV For fat med oljeflekker og tungt skitne kokekar og servise.</p> <p>HURTIG For litt skitne fat er den nødvendige tiden for rengjøring relativt kort.</p> <p>ØKO For vanlig skitne fat og kjøkkenutstyr (for eksempel gryter, tallerkener, glass og panner).</p>
4	Start/Pause	For å starte eller stoppe oppvaskprosessen.

BRUKE OPPVASKMASKINEN

MERK:

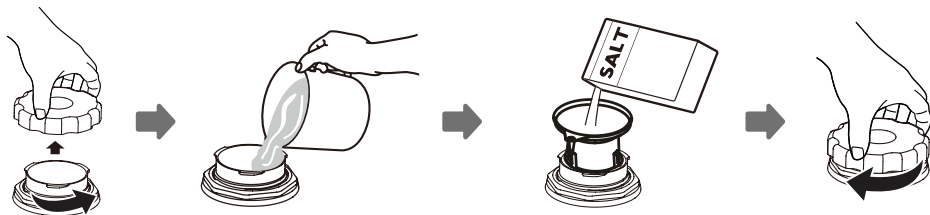
Hvis modellen ikke har vannmykner, kan du hoppe over denne delen.

Legge salt i mykneren

Bruk alltid salt som er beregnet for bruk med oppvaskmaskin. Saltbeholderen er plassert under kurven og bør fylles slik:

ADVARSEL

- ⌘ Bruk bare salt som er spesielt designet for oppvaskmaskiner! Annen type salt, som ikke er spesielt designet for bruk i oppvaskmaskin, spesielt bordsalt, vil skade vannmykneren. Ved skader forårsaket av at uegnet salt brukes gjelder ikke produsentens garanti, og produsenten er heller ikke ansvarlig følgeskader.
- ⌘ Fyll bare med salt før du kjører en syklus. Dette vil forhindre at saltkorn eller saltvann som kan ha blitt sølt, blir liggende på bunnen av oppvaskmaskinen i en periode, noe som kan føre til korrosjon.



- Fjern kurven, og skru av og fjern hetten fra saltbeholderen.
- Før den første vasken tilsetter du 1 liter vann i saltbeholderen til oppvaskmaskinen.
- Plasser enden av trakten (ekskludert) i hullet, og hell i ca 0,13 kg salt. Det er normalt at det kommer litt vann ut av saltbeholderen.
- Når du har fylt beholderen, skrur du lokket tett igjen med klokken.
- Saltvarslingslampen slutter vanligvis å blinke innen 2–6 dager etter at saltbeholderen er fylt med salt.
- Så snart saltet er fylt opp i saltbeholderen, bør et oppvaskprogram startes. (Vi foreslår at du bruker et hurtig program.) Ellers kan filtersystemet, pumpen eller andre viktige deler av maskinen bli skadet av saltvann. Dette dekkes ikke av garantien.

MERK:

- ⌘ Saltbeholderen må bare fylles på når saltvarslingslampen på kontrollpanelet lyser. Avhengig av hvor godt saltet løses opp kan saltvarslingslampen fortsatt lyse selv om saltbeholderen er fylt.
- ⌘ Hvis det ikke er en varslingslampe for salt i kontrollpanelet (noen modeller), kan du vurdere når du skal fylle saltet i mykneren etter hvor mange sykluser oppvaskmaskinen har kjørt.

Justere saltforbruk

Følg trinnene nedenfor for å justere forbruket av salt:

Trinn 1: Gå inn i saltjusteringstilstand

Lukk døren, så innen 60 sekunder etter påslåing trykker du GLASS-knappen og holder den inne i 5 sekunder, så går oppvaskmaskinen over i innstillingsmodus.

Trinn 2: Velg et bestemt saltforbruk

Trykk Glass-knappen for å velge riktig innstilling i henhold til omgivelsene. De stilles inn i følgende rekkefølge: H1->H2->H3->H4->H5->H6.

Trinn 3: Gå ut av saltjusteringstilstand

Hvis oppvaskmaskinen ikke styres på fem sekunder, går den ut av innstilt modus og inn i ventemodus.

Det er i alt 6 saltforbruksnivåer. Du bør velge nivå i henhold til tabellen nedenfor:

VANNHARDHET		Stille inn vannmykneren
°dH ¹⁾	Mmol/l ²⁾	
0-5	0-0,94	H1
6-11	1,0-2,0	H2
12-17	2,1-3,0	H3 ³⁾
18-22	3,1-4,0	H4
23-34	4,1-6,0	H5
35-55	6,1-9,8	H6

- 1) tysk måleenhet for vannhardhet
- 2) Millimol, internasjonal enhet for vannhardhet
- 3) fabrikkinnstilling

Kontakt det lokale vannverket for informasjon om hvor hardt vannet i vannforsyningen er.

Laste oppvaskmaskinkurvene

Anbefaling

- ⌘ Det kan være lurt å kjøpe redskaper som står de kan vaskes i oppvaskmaskin.
- ⌘ Bruk et mildt oppvaskmiddel som er beskrevet som «ømfintlig mot oppvasken». Ved behov kan du få ytterligere informasjon fra produsenten til oppvaskmiddelet.
- ⌘ For visse varer må du velge et program med lavest mulig temperatur.
- ⌘ Ikke ta glass og bestikk ut av oppvaskmaskinen med en gang etter at programmet er avsluttet for å forhindre skade.

Egnet for oppvaskmaskin

Ikke egnet for bruk:

- ⌘ Bestikk med håndtak i tre, horn, porselen eller perlemor
- ⌘ Plastartikler som ikke tåler varme
- ⌘ Eldre bestikk med limte deler som ikke tåler varme
- ⌘ Limt bestikk eller fat
- ⌘ Tinn- eller koppertøy
- ⌘ Krystallglass
- ⌘ Stål som kan ruste
- ⌘ Trevarer
- ⌘ Varer laget av syntetiske fibre

Begrenset egnethet:

- ⌘ Noen glass kan bli matte når de har blitt vasket mange ganger
- ⌘ Sølv og aluminium kan bli misfarget under vask
- ⌘ Glaserte mønstre kan visne ved hyppig vask

Pass på før og etter at du har lastet oppvaskmaskinkurvene
(Følg disse retningslinjene for lasting for å at oppvaskmaskinen skal yte best mulig. Funksjoner og utseendet til kurver og bestikkurver kan variere fra din modell.)

Skrap av store matrester. Mykne brente matrester i panner. Det er ikke nødvendig å skylle oppvasken under rennende vann. Plasser gjenstander i oppvaskmaskinen på følgende måte:

- ⌘ Gjenstander som kopper, glass, gryter/panner osv. skal vendes nedover.
- ⌘ Buede gjenstander eller hule gjenstander bør legges skrått slik at vann kan renne av.
- ⌘ Alle redskaper er trygt sikkert og kan ikke velte.
- ⌘ Alle redskaper er plassert slik at sprayarmene kan rotere fritt under oppvask.

MERK:

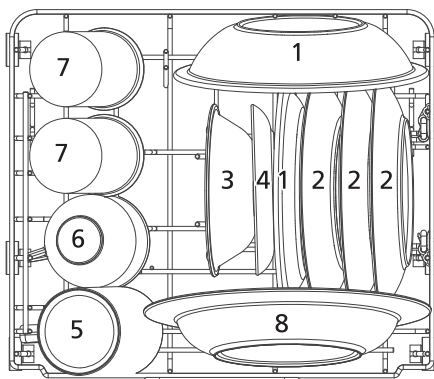
Svært små gjenstander skal ikke vaskes i oppvaskmaskin, da de lett kan falle ut av kurven.

- ⌘ Legg hule gjenstander som kopper, glass, panner osv. med åpningen vendt nedover slik at vann ikke samles i beholderen eller en dyp base.
- ⌘ Tallerkner og bestikk må ikke ligge inni hverandre eller dekke til hverandre.
- ⌘ For å unngå skader på glass må de ikke berøres.
- ⌘ Lange kniver som plasseres i stående kan være farlige!
- ⌘ Langt og/eller skarpt bestikk, som skjærekniver, må plasseres vannrett i kurven.
- ⌘ Ikke legg for mye i oppvaskmaskinen. Dette er viktig for å få et godt resultat og rimelig strømforbruk.

• Laste kurvene i henhold til EN60436

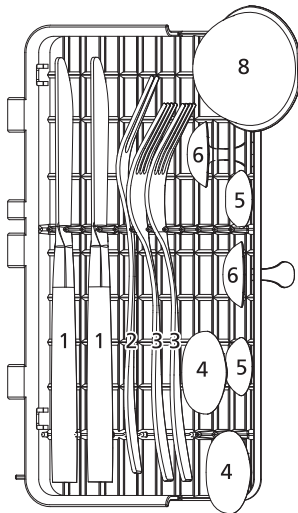
Laste kurven

Plasser servise og kokekar slik at de ikke blir beveget av vannsprayen.



Nummer	Element
1	Desserttallerken i melamin
2	Desserttallerken
3	Dessertskål
4	Fat
5	Mugge
6	Kopp
7	Glass
8	Suppetallerken

Laste bestikkurven



Nummer	Element
1	Kniv
2	Serveringsgaffel
3	Gaffel
4	Suppeskje
5	Testkje
6	Dessertskje
7	Serveringskje
8	Sausesleiv

For personlig sikkerhet og at oppvasken blir så ren som mulig plasserer du sølvtøyet i kurven slik:

- De ikke sitter sammen.
- Plasser sølvtøy med håndtak ned.
- Men kniver og andre potensielt farlige redskaper bør plasseres med håndtaket opp.

Fylle dispenseren

Skyllimiddelet slippes ut under den siste skyllingen for å forhindre at det dannes vanndråper på oppvasken, noe som kan lage flekker og striper.

ADVARSEL

⌘ **Bruk bare oppvaskmiddel som er laget for oppvaskmaskin.** Bruk aldri annet skyllemiddel eller vaskemiddel. Dette vil skade oppvaskmaskinen.

⌘  **Oppvaskmiddel er etsende! Hold oppvaskmiddel utilgjengelig for barn.**

Konsentrert oppvaskmiddel

Vaskemidler kan vaskemidler deles i to grunnleggende typer basert på deres kjemiske sammensetning:

- ⌘ konvensjonelle, alkaliske vaskemidler med kaustiske komponenter.
- ⌘ lavalkaliske konsentrerte vaskemidler med naturlige enzymer.

Å bruke et vanlig vaskeprogram i kombinasjon med konsentrert oppvaskmiddel reduserer forurensning og er bra for oppvasken.

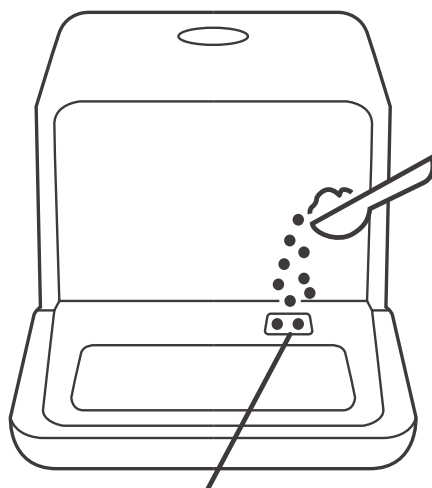
Oppvaskmiddeltabletter

Oppvaskmiddeltabletter av ulike merker løses opp i forskjellige hastigheter. Av denne grunn kan noen oppvaskmiddeltabletter ikke løses opp og gi full rengjøringskraft under korte programmer. Bruk derfor lange programmer når du bruker oppvaskmiddeltabletter for å sørge for at oppvaskmiddelrester fjernes helt.

Oppvaskmiddel

Oppvaskmidlet må fylles på før starten av hver vaskesyklus etter instruksjonene som står i oppvasksyklustabellen. Oppvaskmaskinen bruker mindre oppvaskmiddel enn en konvensjonell oppvaskmaskin. Vanligvis trengs bare én spiseskje oppvaskmiddel for en normal last oppvask. Hvis oppvasken er veldig skitten, trengs det mer oppvaskmiddel. Tilsett alltid oppvaskmidlet rett før du starter oppvaskmaskinen, ellers kan det bli fuktig og ikke oppløses ordentlig.

Legg til oppvaskmiddel



Hvor oppvaskmidlet tilsettes

PROGRAMMERE OPPVASKMASKINEN

Oppvasksyklustabell

Tabellen nedenfor viser hvilke programmer som er best for mengdene matrester og hvor mye oppvaskmiddel som er nødvendig. Den viser også ulik informasjon om programmene.

Program	Beskrivelse av syklus	Oppvaskmiddel	Tid (min.)	Energi (kWh)	Vann (L)
GLASS	Vask (50°C) Skyll Skyll (65°C) Tørke	6g	85	0,400	5,0
DAMPVASK	Vask (69°C) Skyll Skyll (70°C) Tørke	6g	125	0,500	5,0
SKYLLE	/	/	6	0,010	5,0
INTENSIV	Vask (62 °C) Skyll Skyll (70 °C) Tørke	10g	160	0,500	5,0
HURTIG	Vask (50°C) Skyll Skyll (60°C)	10g	29	0,350	5,0
ØKO (*EN 60436)	Vask (50°C) Skyll Skyll (72°C) Tørke	10g	160	0,396	5,0

MERK:

EN 60436: Dette programmet er testsyklusen. Informasjonen for sammenlignbarhetstest i samsvar med EN60436.

Slå på apparatet

Starte en oppvasksyklus ...

Trekk ut kurven. (Se delen «Fylle oppvaskmaskinen».)

Ha oppi oppvaskmidlet. (Se delen «Fylle oppvaskmiddel».)

Sett støpslet inn i stikkontakten. Strømforsyningen er 220–240 V vekselstrøm 50 Hz; stikkontakten skal være 10 A 250 V vekselstrøm.

Trykk strømknappen for å slå på oppvaskmaskinen.

Koble innløpsslangen til kranen og sørg for at vannforsyningen er slått på for fullt trykk, eller tilsett vann i tanken manuelt.

Velg et passende program i henhold til «Oppvasksyklustabellen».

Hvis et program er valgt, så lyser svarlampen. Trykk deretter Start/Pause-knappen for å oppvaskmaskinen.

MERK:

Når du trykker på Start/Pause for å ta en pause under vaskingen, vil oppvaskmaskinen pipe en gang i minuttet til du trykker Start/Pause-knappen for å starte igjen.

Endre programmet

En vaskesyklus kan kun endres hvis den har kjørt i kort tid. Ellers kan oppvaskmidlet allerede ha blitt sluppet løs og oppvaskmaskinen kan ha tømt oppvaskvannet. I så fall må oppvaskmaskinen tilbakestilles og oppvaskmiddeldispenseren fylles igjen. Følg fremgangsmåten nedenfor for å tilbakestille oppvaskmaskinen:

1. Trykk Start/Pause-knappen, og hold inne en programknapp i mer enn 3 sekunder, så går oppvaskmaskinen i ventemodus.
2. Trykk programknappen for å velge ønsket program.
3. Trykk Start/Pause-knappen, så starter oppvaskmaskinen.

MERK:

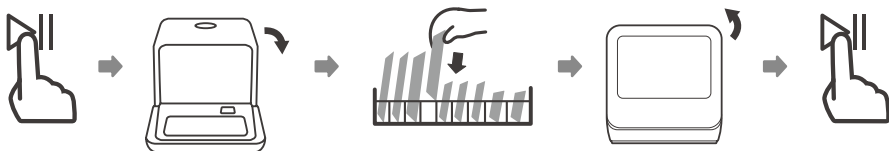
Hvis du vil åpne døren under oppvask, trykker du Start/Pause-knappen for å stoppe oppvaskmaskinen først. Når du lukker døren og trykker Start/Pause-knappen, fortsetter oppvasken etter 10 sekunder.

Hvis oppvaskmaskinmodellen har minnefunksjon, fortsetter den å fullføre det valgte programmet etter strømbrudd.

Glemt å legge til litt oppvask?

Hvis du har glemt å legge i noe, kan du legge det til før oppvaskmiddeldispenseren åpnes. Følg i så fall fremgangsmåten nedenfor:

1. Trykk Start/Stopp-knappen.
2. Åpne døren litt for å stoppe oppvasken.
3. Når sprayarmene har stoppet, kan du åpne døren helt.
4. Legg i oppvasken du har glemt.
5. Lukk døren.
6. Trykk Start/Pause-knappen, så starter oppvaskmaskinen igjen etter 10 sekunder.



Når oppvasken er ferdig

Når syklusen er ferdig, lager oppvaskmaskinen lyd i 8 sekunder, så stopper den. Slå av oppvaskmaskinen med PÅ/AV-knappen, slå av vannforsyningen, og åpne døren til oppvaskmaskinen. Vent i noen minutter før du tømmer oppvaskmaskinen for å unngå at du blir brent; fat og redskap vil fremdeles være varme og utsatt for å bli ødelagt. De vil også tørke bedre.

⌘ Slå av oppvaskmaskinen

1. Slå av oppvaskmaskinen ved å trykke PÅ/AV-knappen.
2. Slå av kranen!

⌘ Åpne døren forsiktig.

Varme fat er følsomme for slag. Fatene må avkjøles i cirka 15 minutter før de tas ut av oppvaskmaskinen.

Åpne døren til oppvaskmaskinen, la den stå på gløtt, og vent i noen minutter før du tar ut oppvasken. Da blir de kjøligere, og tørkingen forbedres.

⌘ Tømme oppvaskmaskinen

Det er normalt at oppvaskmaskinen er våt på innsiden.

ADVARSEL

Det er farlig å åpne døren under oppvask, da du kan bli brent av varmt vann.

Tvunget tapping

I ventemodus kan du trykke og hold nede «GLASS»-knappen og «ØKO»-knappen samtidig i 3 sekunder for å tappe vanntanken.

VEDLIKEHOLD OG RENGJØRING

Filtersystem

ADVARSEL

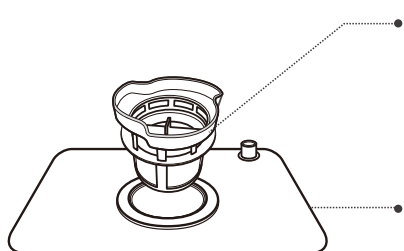
⌘ **Bruk aldri oppvaskmaskinen uten filtre!**

⌘ **Sørg for at filteret er ordentlig satt på.**

Ytelsen kan bli påvirket og fat og redskaper kan bli skadet.

Filteret fjerner effektivt matrester fra oppvaskvannet slik at det kan gjenvinnes i løpet av syklusen.

For best mulig ytelse og resultater må filterenheten rengjøres regelmessig. Derfor er det lurt å fjerne større matrestene som er fanget i filteret etter hver vaskesyklus ved å skylle filteret og koppen under rennende vann. Fjern filterenheten ved å trekke kopphåndtaket oppover.



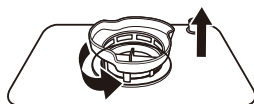
B. Fint filter

Dette filteret holder jord og matrester i samlebrønnen og forhindrer at det legges på oppvasken under vaskesyklusen.

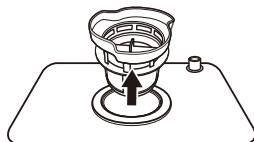
A. Hovedfilter

Mat- og jordpartikler fanget i dette filteret, pulveriseres av en spesiell stråle på den nedre sprayarmen og vaskes ned til avløpet.

Trinn 1: Drei filterenheten mot klokken for å løsne den.



Trinn 2: Løft det fine filteret opp fra hovedfilteret.



MERK:

Gjør trinn 1 og så trinn 2 for å ta av filtersystemet. Gjør trinn 2 og så trinn 1 for å sette på filtersystemet.

Hele filterenheten skal rengjøres én gang i uken.

⌘ Se etter blokkeringer på filtrene hver gang oppvaskmaskinen har blitt brukt.

⌘ Du kan skru ut det grove filteret for å ut av filtersystemet. Fjern matrester og rengjør filtrene under rennende vann.

ADVARSEL

Ikke bank på filtrene når du rengjør dem. Ellers kan filtrene bli vridd og ytelsen til oppvaskmaskinen reduseres.

Vedlikeholde oppvaskmaskinen

Kontrollpanelet kan rengjøres med en lett fuktet klut. Etter rengjøring må det tørkes grundig. Bruk poleringsvoks for apparater på utsiden. Bruk aldri skarpe gjenstander, stålull eller harde rengjøringsmidler på noen del av oppvaskmaskinen.

Rengjøre døren

For å rengjøre kanten rundt døren bør du bare bruke en myk, fuktig klut. For å unngå at vann kommer inn i dørlåsen og elektriske komponenter må du ikke bruke en sprayrenser av noe slag.

ADVARSEL

⌘ Bruk aldri sprayrens til å rengjøre dørpanelet, da det kan skade dørlåsen og elektriske komponenter.

⌘ Slipemidler og noen typer papirhåndkle bør ikke brukes, da det er en risiko for å lage riper eller flekker på overflaten i rustfritt stål.

Beskytte mot frost

Ta tiltak for frost på oppvaskmaskinen om vinteren. Gjør følgende etter hver oppvasksyklus:

1. Kutt av strømmen til oppvaskmaskinen.
2. Slå av vannforsyningen, og koble vanninnløpsrøret fra vannventilen.
3. Tapp vann fra innløpsrøret og vannventilen (bruk en panne for å fange vannet).

4. Koble vanninnløpsrøret til vannventilen igjen.
5. Fjern filteret på bunnen av karet, og bruk en svamp for å suge vann i bunnpannen.

MERK:

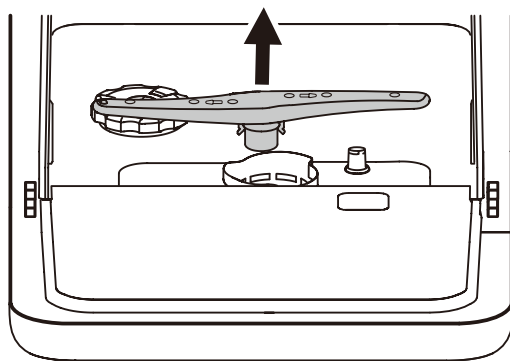
Hvis oppvaskmaskinen ikke fungerer på grunn av is, må du kontakte en autorisert serviceperson.

Driftstemperatur: Dette produktet bør brukes i et miljø over 0 °C for å forhindre frostskaade.

Rengjøre sprayarmene

Sprayarmene kan enkelt tas av for regelmessig rengjøring av dysene for å forhindre mulig tilstopping. Vask dem under rennende vann og skift dem forsiktig ut på plass, og kontroller at dreingen ikke hindres på noen måte.

Ta tak i midten av sprayarmen, og trekk den oppover for å fjerne den. Vask armene under en stråle med rennende vann, og sett dem forsiktig tilbake på plass. Etter montering må du sjekke at sprayarmene dreier fritt. Sjekk ellers at de er riktig montert.



Slik holder du oppvaskmaskinen i stand

Etter hver vask

Etter hver oppvask slår du av vannforsyningen til oppvaskmaskinen og lar døren være litt åpen slik at fukt og lukt ikke fanges på innsiden.

Fjern pluggen

Før rengjøring eller vedlikehold må du alltid ta støpselet ut av stikkontakten.

Ingen løsemidler eller skuremidler

Ikke bruk løsemidler eller skuremidler til å rengjøre utsiden og gummidelen av oppvaskmaskinen. Bruk bare en klut med varmt såpevann.

For å fjerne flekker eller smuss fra overflaten av innsiden kan du bruke en klut fuktet med vann, litt eddik eller et rengjøringsprodukt laget spesielt for oppvaskmaskiner.

Ved lengre perioder uten bruk

Det anbefales at du kjører en oppvasksyklus med oppvaskmaskinen tom og så tar støpselet ut av stikkontakten, slår av vannforsyningen og lar døren til oppvaskmaskinen stå på gløtt. Dette gjør at dørpakningene varer lenger og forhindrer at det dannes lukt i oppvaskmaskinen.

Flytte oppvaskmaskinen

Hvis oppvaskmaskinen må flyttes, må du prøve å holde det loddrett. Hvis det er absolutt nødvendig, kan det legges på ryggen.

MONTERING

ADVARSEL



Fare for elektrisk støt

Koble fra elektrisk strøm før du installerer oppvaskmaskin.

Ellers kan det føre til dødsfall eller elektrisk støt.

OBS!

Rør og elektrisk utstyr skal installeres av fagfolk.

Gjøre klar til installasjon

Oppvaskmaskinen skal installeres i nærheten av eksisterende vanninntak, tappeuttak og stikkontakt.

Du bør velge en side av skapvasken som gjør det lett å koble tappeslanger til oppvaskmaskinen.

Plassere oppvaskmaskinen

Plasser oppvaskmaskinen på ønsket sted. Ryggen skal hvile mot veggen bak den, og sidene langs tilstøtende skap eller vegg. Oppvaskmaskinen er utstyrt med vanntilførsels- og tappeslanger, som kan plasseres enten til høyre eller venstre for å gjøre det enkelt å installere korrekt.

Om strømtilkobling

ADVARSEL

For personlig sikkerhet:

- ⌘ Ikke bruk skjøteledning eller adapterstøpsler med denne oppvaskmaskinen.
- ⌘ Du må ikke under noen omstendighet kutte eller fjerne jordingskontakten fra strømledningen.

Elektriske krav

Se på merkeetiketten for å finne riktig spenning, og koble oppvaskmaskinen til en riktig strømforsyning. Bruk den nødvendige sikringen 10 ampere forsinkelsessikring eller effektbryter anbefalt, og sørg for at dette apparatet har en helt egen kurs.

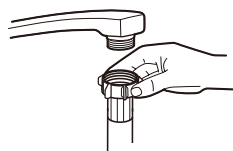
Elektrisk tilkobling

Sørg for at spenningen og frekvensen til strømmen tilsvarer det som står på typeskiltet. Støpselet skal kun settes i en stikkontakt som er ordentlig jordet. Hvis stikkontakten som apparatet må kobles til, ikke passer for støpselet, må du bytte ut stikkontakten og ikke bruke adaptere eller lignende, da de vil kunne forårsake overoppheting og forbrenning.

⚠ Sørg for at jordingen er riktig før bruk

Vanntilkobling

Koble kaldtvannsforsyningsslangen til en gjenget 3/4 (tommers) kontakt, og sørg for at den er strammet godt på plass. Hvis vannrørene er nye eller ikke har vært brukt på en lengre periode, må du la vannet renne for å sikre at det er klart og uten urenheter. Hvis denne forholdsregelen ikke tas, er det fare for at vanninntaket blokkeres og oppvaskmaskinen skades.

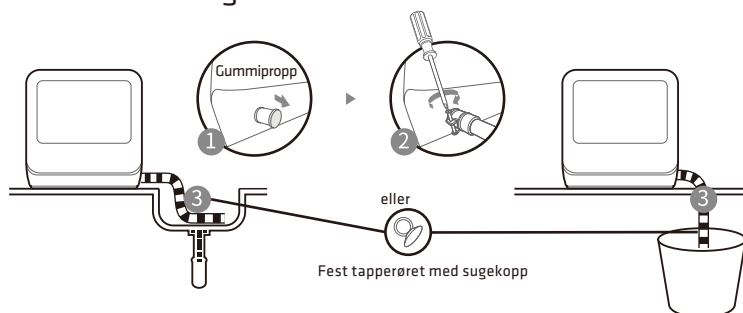


MERK:

Hvis slangen som følger med, ikke passer på springen, må du kjøpe en adaptere hos jernvarehandel.

Tilkobling av tappeslanger

Fest tapperøret med bakrøret til oppvaskmaskinen. Grensesnittet er utstyrt med klemmer og strammes med en skrutrekker.



Tilkoblingen til tapperøret: Sett enden av tapperøret i en vask eller bøtte.

Hvordan tappe overflødig vann fra slanger

Hvis vasken er mer enn 1000 mm over gulvet, kan ikke overflødig vann i slanger tappes direkte i vasken. Overflødig vann fra slanger vil måtte tappes i en skål eller egnet beholder som holdes utenfor og lavere enn vasken.

Vannuttak

Koble til vanntappeslangen. Tappeslangen må være riktig montert for å unngå vannlekkasjer. Sørg for at vanntappeslangen ikke er knekt eller klemt.

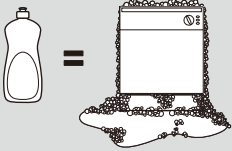
Forlengesslange

Hvis tappeslangen må forlenges, må du bruke en lignende tappeslange. Den skal ikke være lenger enn 4 meter, ellers kan ytelsen til oppvaskmaskinen reduseres.

TIPS FOR PROBLEMLØSING

Før du ringer service

Ved å gå gjennom diagrammene på de neste sidene kan du slippe å ringe etter service.

Problem	Mulig årsak	Ting du alltid må gjøre:
Oppvaskmaskinen starter ikke	Sikring blåst , eller effektbryter utløst.	Bytt ut sikringen eller tilbakestill effektbryteren. Fjern alle andre apparater som er på samme kurs som oppvaskmaskinen.
	Strømforsyningen er ikke slått på.	Sørg for at oppvaskmaskinen er slått på og at døren er lukket ordentlig. Kontroller at strømkabelen er ordentlig tilkoblet stikkontakten.
	Unormal vanninnstrømning; vanntrykket er lavt.	Kontroller at vannforsyningen er riktig tilkoblet og at vannet er slått på.
	Døren til oppvaskmaskinen er ikke ordentlig lukket.	Sørg for å lukke døren ordentlig og smekke den igjen.
Vann pumpes ikke fra oppvaskmaskinen	Vann pumpes ikke fra oppvaskmaskinen.	Kontroller tappeslangen.
	Filter tett.	Kontroller det grove filteret.
	Kjøkkenvasken er tett.	Sjekk oppvaskkummen for å sørge for at vannet dreneres som det skal. Hvis problemet er at kjøkkenvasken ikke drenerer, kan du trenge en rørlegger i stedet for en oppvaskmaskinreparatør.
Såpeskum i karet	Feil oppvaskmiddel. 	Bruk kun egnet oppvaskmiddel for å unngå såpeskum. Hvis det er såpeskum i oppvaskmaskinen. Åpne døren i 20–30 slik at skummet kan fordampe. Hvis det fortsatt er skum i foringen. Tilsett 1,5 liter vann i foringen, lukk døren til oppvaskmaskinen, og kjør tvunget tapping for å tappe det med vannet. Gjenta dette til det er tomt for skum.
	Skyllemiddel er sølt.	Tørk alltid opp sølt skyllemiddel med en gang.
Karet er flekket på innsiden	Det kan ha blitt brukt oppvaskmiddel med fargestoff.	Kontroller at oppvaskmiddelet ikke har farge.

Problem	Mulig årsak	Ting du alltid må gjøre:
Hvit film på overflaten på innsiden	Hardvannsmineraler.	Rengjør innsiden med en fuktig svamp med oppvaskmiddel, og bruk gummihansker. Bruk aldri noe annet rengjøringsmiddel enn oppvaskmiddel, ellers kan det føre til skum eller såpeskum.
Det er rustflekker på bestikket	De berørte elementene er ikke korrosjonsbestandige.	Unngå å vaske gjenstander som ikke er korrosjonsbestandige i oppvaskmaskinen.
	Et program ble ikke kjørt etter at oppvaskmaskinsalt ble tilsatt. Spor av salt har kommet inn i vaskesyklusen.	Kjør alltid et oppvaskprogram uten oppvask etter at du har satt til salt. Ikke velg Turbo-funksjonen (hvis denne finnes).
	Lokket til mykneren er løst.	Kontroller at lokket til mykneren er fast.
Det kommer bankelyd fra oppvaskmaskinen	En sprayarm banker på en gjenstand i en kurv.	Avbryt programmet og rydd opp i gjenstandene som hindrer sprayarmen.
Skramlelyder i oppvaskmaskinen	Det er løst bestikk i oppvaskmaskinen.	Avbryt programmet og omplasser oppvasken.
Bankelyder i vannrørene	Dette kan være forårsaket av installasjonen på stedet eller tverrsnittet til rørene.	Dette påvirker på ingen måte funksjonaliteten til oppvaskmaskinen. Kontakt en faglært rørlegger hvis du er i tvil.
Oppvasken er ikke blitt ren	Oppvasken ble ikke lastet riktig.	Se merknadene i «Laste og tømme oppvaskmaskinen».
	Programmet var ikke kraftig nok.	Velg et mer intenst program.
	Det ble ikke dispensert nok oppvaskmiddel.	Bruk mer oppvaskmiddel, eller bytt oppvaskmiddel.
	Elementer blokkerer bevegelsen til sprayarmene.	Plasser gjenstandene slik at sprayarmene kan rotere fritt.
	Filterkombinasjonen er ikke ren eller er ikke riktig montert i bunnen av vaskekabinettet. Dette kan føre til at sprøytearmdysene blir blokkert.	Rengjør og/eller monter filteret riktig. Rengjør sprayarmdysene.

Problem	Mulig årsak	Ting du alltid må gjøre:
Sløring på glasstøy.	Kombinasjon av mykt vann og for mye oppvaskmiddel.	Bruk mindre oppvaskmiddel hvis du har mykt vann, og velg en kortere syklus for å vaske glasstøyet for å få dem rene.
Det kommer hvite flekker på tallerkener og glass.	På steder med hardt vann kan det oppstå kalkavleiringer.	Legg til mer oppvaskmiddel.
Svarte eller grå merker på oppvasken	Aluminiumsredskaper har gnidd mot oppvasken.	Bruk et mildt rengjøringsmiddel for å fjerne disse merkene.
Det er oppvaskmiddel igjen i dispensereren	Oppvask blokkerer oppvaskmiddeldispenseren.	Sett i oppvasken i på nytt på riktig måte.
Oppvasken er ikke blir ordentlig tørr.	Feil lasting	Last oppvaskmaskinen som foreslått i instruksjonene.
	Oppvasken ble fjernet for tidlig.	Ikke tøm oppvaskmaskinen umiddelbart etter vask. Åpne døren litt slik at dampen kommer ut. Ta ut oppvasken temperaturen på innsiden ikke er for høy til å berøre. Løsne den nedre kurven først for å forhindre at vannet faller fra den øvre kurven.
	Feil program er valgt.	Med et kort program er vasktemperaturen lavere, noe som reduserer ytelsen til oppvasken. Velg et program med en lang vasketid.
	Bestikk med belegg av lav kvalitet brukt.	Det er vanskeligere å tappe vann med slike gjenstander. Bestikk eller servise av denne typen er ikke egnet til å vaske i oppvaskmaskin.

Feilsignaler

Når det oppstår feil, vil oppvaskmaskinen vise et signal for å advare deg:

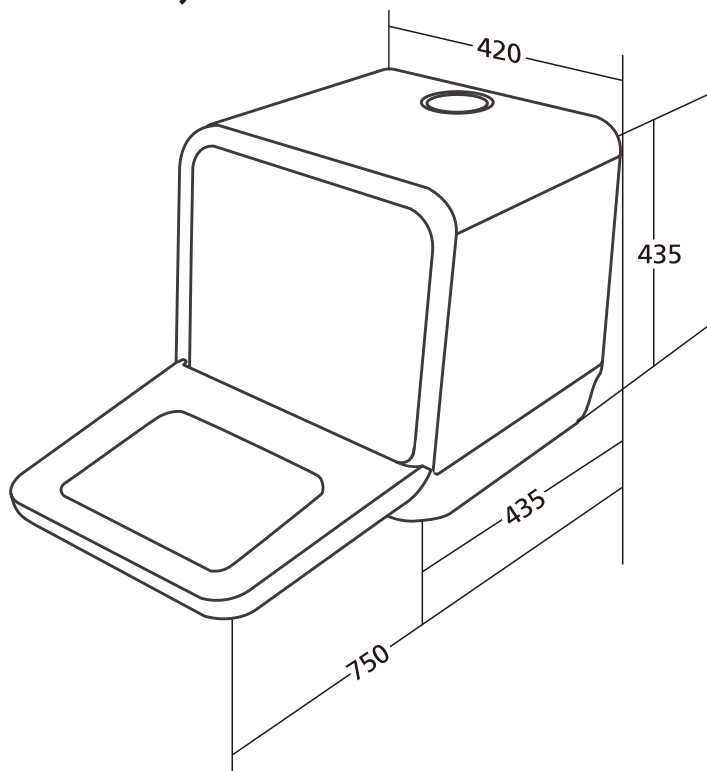
Signaler	Betydninger	Mulig årsak
E1	Lengre innløpstid.	Svikt i strømningsmåler, tappeventil eller pumpevikt: skal repareres av en kvalifisert arbeider.

E3	Oppnår ikke nødvendig temperatur	Det er en feil med oppvarmingsrør eller termistor som må repareres av fagperson.
E4	Overflyt.	Noen del av oppvaskmaskinen lekker.
E9	Klebrete trykknapp	Dette kan komme av at det er vann eller annet stoff i knappeområdet, ellers må en kvalifisert tekniker reparere.
Ed	Kommunikasjonsavvik	Den bør repareres av en kvalifisert tekniker.
EA	Svikt i dampgenerator	Den bør repareres av en kvalifisert tekniker.

ADVARSEL

- ⌘ Hvis det flyter over, må du slå av hovedvannforsyningen og så be om service.
- ⌘ Hvis det er vann i bunnpannen på grunn av overflyt eller en liten lekkasje, bør du fjerne vannet før du starter oppvaskmaskinen på nytt.

TEKNISK INFORMASJON



Høyde	435 mm
Bredde	420 mm
Dybde	435 mm
Spenningskoblet belastning	se merkeetikett
Vanndrykk	0,04-1,0 MPa
Strømforsyning	se merkeetikett
Kapasitet	2 oppdekninger

Produktinformasjonsark (En60436)

Leverandørens navn eller varemerke:				
Leverandørens adresse:				
Modellidentifikator: PTDW1				
Generelle produktparametere:				
Parameter	Verdi	Parameter	Verdi	
Nominell kapasitet ^(a) (ps)	2	Mål i cm	Høyde	43,5
			Bredde	42,0
			Dybde	43,5
EEl ^(e)	62,9	Energieffektivitetsklasse ^(e)	G ^(f)	
Rengjøringsytelsesindeks ^(e)	1,13	Tørkeytelsesindeks ^(e)	0,86	
Energiforbruk i kWh [per syklus], basert på øko-programmet med fylling med kaldt vann. Faktisk strømforbruk avhenger av hvordan apparatet brukes.	0,396	Vannforbruk i liter [per syklus], basert på øko-programmet. Faktisk strømforbruk avhenger av hvordan apparatet brukes og hvor hardt vannet er.	5,0	
Programvarighet ^(e) (t:min)	2:40	Type	Frittstående	
Luftbåret akustisk støyutslipp ^(e) (dB (A) er 1 pW)	58	Luftbåret akustisk støyutslipp ^(e)	D ^(g)	
Avslått (W)	0,49	Ventemodus (W)	I/T	
Utsatt start (W) (hvis aktuelt)	1,00	Nettverksventemodus (W) (hvis aktuelt)	I/T	
Minimum varighet av garantien som tilbys av leverandøren ^(h):				
Ekstra informasjon:				
Nettkobling til leverandørens nettsted, der en finner informasjonen i punkt 6 i Vedlegg II til kommisjonsforordning (EU) 2019/2022 ⁽ⁱ⁾ ^(h) :				
(a) for øko-programmet.				
(b) endringer i disse elementene skal ikke anses som relevante for formålene med paragraf 4 i Artikkel 4 i Forordning (EU) 2017/1369.				
(c) hvis produkt databasen automatisk genererer det gjeldende innholdet i denne cellen, skal ikke leverandøren legge inn disse dataene.				
(1) Kommisjonsforordning (EU) 2019/2022 per 1. oktober 2019 om krav til miljødesign for oppvaskmaskiner til husholdninger i henhold til Europaparlaments- og -rådsdirektiv 2009/125/EF om endring av kommisjonsforordning (EF) nr. 1275/2008 og om opphevelse av kommisjonsforordning (EU) nr. 1016/2010 (se side 267 i denne Tidende).				

SPESIFIKASJONER

Modell: PTDW1

Merkespenning: AC220-240V 50Hz

Strømforbruk: 730-860W



Dette symbolet på produktet eller i anvisningene betyr at det elektriske og elektroniske utstyret må leveres atskilt fra husholdningsavfall når det ikke lenger skal brukes. Det finnes egne innsamlingssystemer for resirkulering i EU. Du får nærmere informasjon ved å kontakte lokale myndigheter eller forhandleren du kjøpte produktet hos.

Power International AS,
Postboks 523, N-1471 Lørenskog, Norge

Power Norge:
<https://www.power.no/kundeservice/>
T: 21 00 40 00

Power Danmark:
<https://www.power.dk/kundeservice/>
T: 70 33 80 80

Punkt 1 Danmark:
<https://www.punkt1.dk/kundeservice/>
T: 70 70 17 07

Power Finland:
<https://www.power.fi/tuki/asiakaspalvelu/>
T: 0305 0305

Power Sverige:
<https://www.power.se/kundsservice/>
T: 08 517 66 000

TÄRKEITÄ TURVALLISUUSOHJEITA

VAROITUS

Kun käytät astianpesukonetta, noudata alla listattuja varotoimia:

- Tämä laite on tarkoitettu käytettäväksi kotitaloudessa ja samanlaisissa sovelluksissa kuten:
 - Henkilöstön keittiöalueet kaupoissa, toimistoissa ja muissa työympäristöissä;
 - maalaistaloissa;
 - asiakkailta hotelleissa, motelleissa ja muissa asumistyyppisissä ympäristöissä;
 - bed and breakfast -tyyppisissä ympäristöissä.
- Tätä laitetta saavat käyttää yli 8-vuotiaat lapset ja sellaiset henkilöt, joiden fyysiset tai henkiset kyvyt tai aistit ovat rajoittuneet tai joilla ei ole tarvittavaa kokemusta ja tietoa, jos heidän turvallisuudestaan vastuussa oleva henkilö valvoo tai opastaa heitä laitteen turvalliseen käyttöön ja selittää siihen kuuluvat vaarat. Lapset eivät saa leikkiä laitteella. Lapset eivät saa suorittaa puhdistustoimia tai käyttäjän kunnossapitotöitä ilman valvontaa. (Malli EN60335-1)
- Tätä laitetta ei ole tarkoitettu käytettäväksi henkilöille (mukaan lukien lapset), joilla on alentuneet fyysiset, aistilliset tai henkiset kyvyt, tai puutetta kokemuksesta ja tiedosta, ellei heille ole annettu valvontaa tai ohjeita koskien laitteen käyttöä sellaisen henkilön toimesta, joka on vastuussa heidän turvallisuudestaan. (Malli IEC60335-1)

- Tämä laite on tarkoitettu ainoastaan sisäkäyttöön kotitalouksissa.
- Sähköiskun vaaralta suojautuaksesi, älä upota laitetta, virtakaapelia tai pistoketta veteen tai muuhun nesteeseen.
- Irrota laite pistorasiasta ennen puhdistusta tai kunnossapitoa.
- Pyyhi laite pehmeällä, miedolla pesuaineella kostutetulla liinalla ja kuivaa se sitten pyyhkimällä kuivalla liinalla.

Maadoitusohjeet

- Tämän laitteen on oltava maadoitettu. Toimintahäiriön ilmetessä tai laitteen rikkoutuessa, maadoitus vähentää sähköiskun vaaraa tarjoamalla sähkövirralle vähemmän vastuksen reitin. Tämän laitteen virtajohto on maadoitettu maadoitusjohdolla ja maadoituspistokkeella.
- Pistoke on liitettävä asianmukaiseen pistorasiaan, joka on asennettu ja maadoitettu paikallisten koodien ja määräysten mukaisesti.
- Älä mukauta laitteen toimitukseen kuuluvaa pistoketta, jos se ei sovi pistorasiaan. Anna pätevän sähkötekniikon asentaa uusi pistorasia.
- Laitteen maadoitusjohtimen väärä liittäminen voi johtaa sähköiskun vaaraan. Jos sinulla on epäilyksiä, onko laite maadoitettu oikein, anna pätevän sähkötekniikon tai huoltoedustajan tarkistaa asia.

Yleinen käyttö

- Älä väärinkäytä astianpesukoneen ovea ja tiskikoria

tai istu tai seiso sen päällä.

- Älä käytä laitetta, jos kotelon paneelit eivät ole oikein paikoillaan.
- Avaa luukku varovasti, jos laite on käynnissä, vettä voi purskahtaa ulos.
- Älä aseta raskaita esineitä luukun päälle sen ollessa auki. Laite voi kaatua eteenpäin.
- Kun lisäät pestäviä kohteita:
 - Sijoita terävät kohteet niin, etteivät ne pääse vahingoittamaan luukun tiivistettä;
 - **Varoitus:** Veitset ja muut terävät keittiövälineet on asetettava koriin kärjet alaspäin tai vaakasuuntaisesti.
- Varmista, että pesuainelokero on tyhjä pesuohjelman päätyttyä.
- Älä pese muoviesineitä, joita ei ole merkitty konepesun kestäviksi tai vastaaviksi. Jollei muovituotteessa ole tällaista merkintää, tarkista asia valmistajan suosituksista.
- Käytä ainoastaan pesuaineen lisäaineita, jotka suunniteltu automaattiselle astianpesukoneelle.
- Älä koskaan käytä laitteessa saippuaa, pyykinpesuainetta tai käsienpesunestettä.
- Lapsia on valvottava, jotta varmistetaan, etteivät he leiki laitteella.
- Luukkua ei saa jättää auki, se voi lisätä koneen kaatumisvaaraa.
- Vaarojen välttämiseksi vahingoittuneen virtajohdon saa vaihtaa uuteen vain valmistaja, valmistajan valtuuttama huoltoedustaja tai muu vastaavalla

tavalla pätevä henkilö.

- Asennuksen aikana virtajohto ei saa olla liikaa tai vaarallisesti taipunut tai litistynyt.
- Älä peukaloi säätimiä.
- Laite on liitettävä vesijohtoon uudella letkusarjalla, vanhoja letkusarjoja ei saa käyttää uudelleen.
- Tuloveden sallittu enimmäispaine on 1 MPa.
- Tuloveden sallittu minimipaine on 0,04 MPa.

Hävittäminen

- Pakkaus ja laite on hävitettävä kierrätyskeskuksessa. Katkaisen virtakaapeli ja poista luukun sulkemismekanismi käytöstä.
- Pahvipakkaus on valmistettu kierrätyspaperista ja se tulee hävittää jätepaperin keräykseen kierrättämistä varten.
- Varmistamalla, että tämä tuote hävitetään oikein, autat osaltasi estämään mahdolliset negatiiviset vaikutukset ympäristölle ja ihmisen terveydelle, jotka muuten voisivat aiheutua tämän tuotteen epäasianmukaisesta käsittelystä.
- Saat yksityiskohtaiset tiedot tämän tuotteen kierrätyksestä paikallisviranomaisilta tai jätehuoltopalvelusta.
- **HÄVITTÄMINEN:** Älä hävitä tätä laitetta lajittelemattoman kotitalousjätteen mukana. Tällainen jäte on kerättävä erikseen erikoiskäsittelyä varten.

PIKAKÄYTTÖOPAS

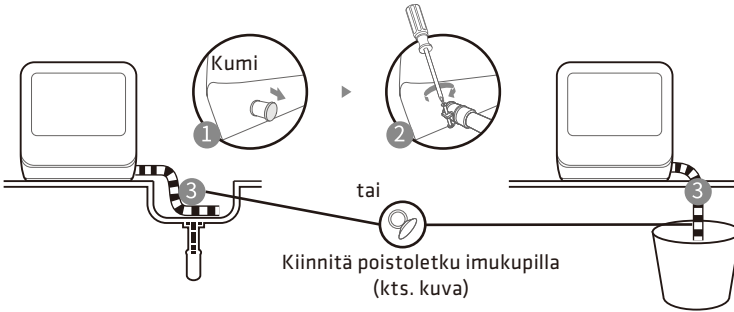
Lue vastaava sisältö käyttöoppaasta saadaksesi yksityiskohtaisemmat ohjeet.

Liitetty virtalähteisiin

Virransyöttö on 220–240 VA C 50 Hz

Pistorasian tekniset tiedot ovat 10 A, 250 V AC

Poistoletkun liitântä: Vie poistoletkun toinen pää pesualtaaseen tai sankoon. Kiinnitä poistoletku koneen takaputkeen. Liitântä kiinnitetään letkunkiristimellä ja se kiristetään ruuvitaltalla.



Veden lisääminen astianpesukoneen säiliöön

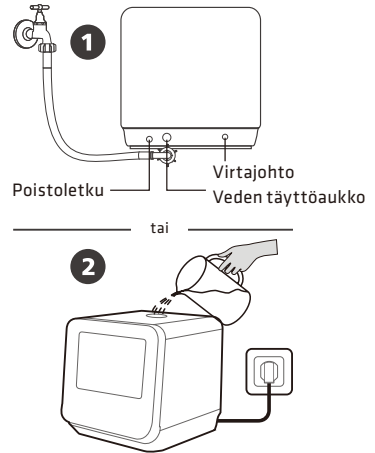
Huomautus: Ennen veden lisäämistä on painettava virtapaita astianpesukoneen käynnistämiseksi. On kaksi tapaa lisätä vettä säiliöön:

1. Liitä tuloletku hanaan;
2. Avaa tulppa ja lisää vettä astianpesukoneen säiliöön manuaalisesti.

Kun säiliö on täynnä vettä, astianpesukoneesta kuuluu äänimerkki 3 sekuntia.

Suuren jäämän poistaminen

Poista suuri jäämä ennen sijoittamista.

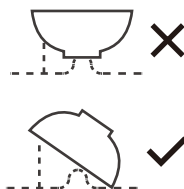
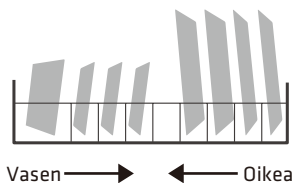




Luukun avaaminen, astioiden asettelu ja pesuaineen lisääminen

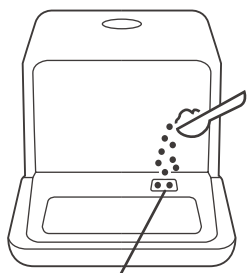
Asettelujärjestys koon mukaan ja kahdelta puolelta keskelle. Kaikki ruokailuvälineet tulee kallistaa puhdistussuorituskyvyn parantamiseksi.

Varren pyöriminen estyy, jos ruokailuvälineet sijoitetaan väärin ja tämä vaikuttaa puhdistussuorituskykyyn.



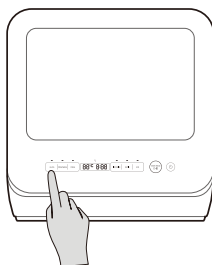
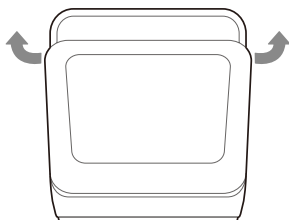
Älä sijoita pestäviä kohteita väärin suunnattuina, tämä vaikuttaa puhdistussuorituskykyyn.

Pyri jättämään en liikainen puoli kohti suihkuvartta.



Lisää pesuaine tähän.

Luukun sulkeminen, ohjelman valitseminen ja astianpesukoneen käynnistäminen.

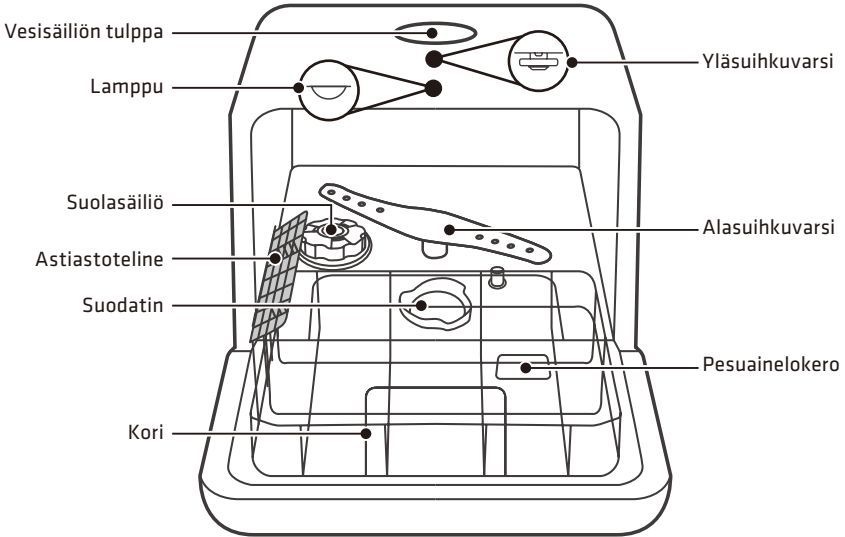


TUTUSTUMINEN ASTIANPESUKONEESEEN

TÄRKEÄÄ:

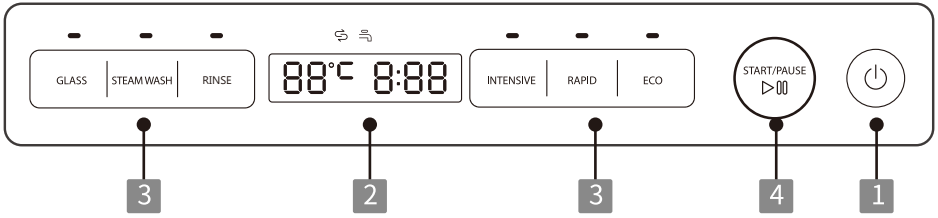
Ennen astianpesukoneen ensimmäistä käyttöä ja parhaan suorituskyvyn varmistamiseksi, lue nämä ohjeet.


Astianpesukoneen ominaisuudet



Vesikannu

Ohjauspaneeli



1	Teho	Virta päälle/pois
2	Näyttö	Kun ohjelma on valittu, näkyviin tulee korkein lämpötila ja ohjelman pituus. Kun ohjelma alkaa, näkyvissä on veden todellinen lämpötila ja jäljellä oleva ohjelma-aika.  Veden puutteen ilmaisin
3	Ohjelma	Valitse asianmukainen pesuohjelma, vastaava merkkivalo syttyy. LASI Vähän likaantuneet tiskit ja lasit. HÖYRYPESU Parhaalla pesusuorituskyvyllä. Kuumaa höyryä tuotetaan ensimmäisen 5 minuutin aikana. Se pehmittää tahroja ja tappaa bakteereita. HUUHTELU Huuhtelee astiat, jotka aiot pestä myöhemmin samana päivänä ja jotka sopivat myös hedelmien huuhteluun. INTENSIIVINEN Tiskeille, joissa on öljytahroja ja hyvin likaisille ruoanlaittovälineille ja astioille. PIKA Hieman likaantuneille astioille, vaadittava puhdistusaika on suhteellisen lyhyt. VIRRANSÄÄSTÖ Yleisesti likaantuneille astioille ja ruoanlaittovälineille (kuten kattilat, lautaset, lasit, pannut).
4	Käynnistä/ Keskeytä	Astianpesukoneen pesuprosessin käynnistäminen tai keskeyttäminen.

ASTIANPESUKONEEN KÄYTTÖ

HUOMAUTUS:

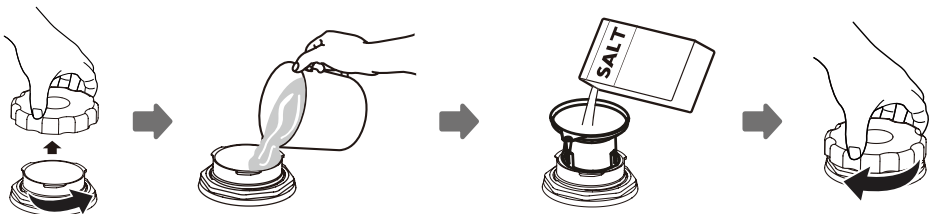
Jos mallissasi ei ole vedenpehmennintä, voit ohittaa tämän osan.

Suolan lisääminen pehmentimeen

Käytä aina astianpesukoneelle tarkoitettua suolaa. Suolasäiliö sijaitsee korin alla ja se tulee täyttää seuraavasti:

VAROITUS

- ⌘ Käytä ainoastaan erityisesti astianpesukonekäyttöön tarkoitettua suolaa! Kaikki muun tyyppiset suolat, joita ei ole tarkoitettu erityisesti astianpesukonekäyttöön, vahingoittavat vedenpehmennintä. Valmistaja ei myönnä takuuta eikä ole vastuussa mistään vahingoista, jotka ovat aiheutuneet sopimattoman suolan käytöstä.
- ⌘ Lisää suolaa ainoastaan ennen pesuohjelman suorittamista. Tämä estää suolarakeiden tai vuotaneen suolaveden jäämisen astianpesukoneen pohjalle pitkäksi aikaa, mikä voi aiheuttaa syöpymistä.



- A. Poista kori ja kierrä auki ja irrota suolasäiliön korkki.
- B. Lisää ennen ensimmäistä pesua 1 litra vettä astianpesukoneen suolasäiliöön.
- C. Sijoita suppilon (ulkopuolelle) kärki reikään ja kaada sisään noin 0,13 kg astianpesukonesuolaa. On normaalia, että suolasäiliöstä valuu ulos hieman vettä.
- D. Täytettyäsi säiliön, kierrä tulppa myötäpäivään tiukasti kiinni.
- E. Tavallisesti suolavaroitusvalo lakkaa vilkkumasta 2–6 päivän kuluttua, kun suolasäiliö on täytetty suolalla.
- F. Pesuohjelma tulee käynnistää heti suolan suolasäiliöön täytön jälkeen (lyhyen ohjelman käyttö on suositeltava). Muuten suolainen

vesi voi vahingoittaa suodatinjärjestelmää, pumppua tai muita koneen tärkeitä osia. Tämä ei kuulu takuun piiriin.

HUOMAUTUS:

- ☞ Suolasäiliö tulee täyttää uudelleen vain, kun suolan varoitusvalo ohjauspaneelissa syttyy. Sen mukaan, kuinka hyvin suola liukenee, suolan varoitusvalo voi pysyä päällä, vaikka suolasäiliö on täynnä.
- ☞ Jos ohjauspaneelissa ei ole suolan varoitusvaloa (eräät mallit), voit arvioida suolan pehmentimeen lisäysajan astianpesukoneella suoritettujen pesuohjelmien mukaan.

Suolan kulutuksen säätäminen

Säädä suolan kulutuksen taso seuraavasti.

Vaihe 1: Siirry suolansäätötilaan

Sulje luukku, Paina 60 sekunnin kuluessa virran päälle kytkemisestä LASI-painiketta ja pidä sitä painettuna 5 sekuntia, astianpesukone siirtyy asetustilaan.

Vaihe 2: Valitse suolankulutuksen määrätty tila

Paina Lasi-painiketta valitaksesi oikean sarjan paikallisen ympäristösi mukaisesti, sarjat muuttuvat seuraavassa järjestyksessä: H1->H2->H3->H4->H5->H6.

Vaihe 3: Poistu suolansäätötilasta

Jos mitään toimintaa ei tapahdu viiteen sekuntiin, astianpesukone poistuu asetustilasta ja siirtyy valmiustilaan.

Suolankulutustasoja on kaikkiaan 6. Taso on suositeltavaa valita seuraavan taulukon mukaisesti:

VEDEN KOVUUS		Asetus veden pehmentimessä
°dH ¹⁾	Mmol/l ²⁾	
0-5	0-0,94	H1
6-11	1,0-2,0	H2
12-17	2,1-3,0	H3 ³⁾
18-22	3,1-4,0	H4
23-34	4,1-6,0	H5
35-55	6,1-9,8	H6

- 1) Saksalainen veden kovuuden mittayksikkö
- 2) Millimooli, kansainvälinen veden kovuuden mittayksikkö
- 3) tehdasasetus

Ota yhteyttä paikalliseen vesilaitokseen saadaksesi tiedot alueesi veden kovuudesta.

Astianpesukoneen korien täyttäminen

Suositus

- ⌘ On syytä hankkia konepesun kestävä -merkinnällä varustettuja keittiövälineitä.
- ⌘ Käytä mietoa pesuainetta, kuten on kuvattu kohdassa "Astiastävällinen". Jos on tarpeen, etsi lisätietoja pesuaineen valmistajilta.
- ⌘ Valitse määrätyillä kohteilla ohjelma, jolla on mahdollisimman alhainen lämpötila.
- ⌘ Vahingon estämiseksi, älä ota laseja ja ruokailuvälineitä astianpesukoneesta välittömästi, kun pesuohjelma on päättynyt.

Sopivuus käytettäväksi astianpesukoneessa

Ei sovi käytettäväksi:

- ⌘ Ruokailuvälineet, joiden varret ovat puuta, sarvea, posliinia tai helmiäistä
- ⌘ Muoviset välineet, jotka eivät ole kuumuudenkestäviä
- ⌘ Vanhat ruokailuvälineet, joiden liimatut osat eivät ole kuumuudenkestäviä
- ⌘ Osista kootut ruokailuvälineet tai astiat
- ⌘ Tina- tai kupariastiat
- ⌘ Kristallilasi
- ⌘ Ruostuvat teräsastiat
- ⌘ Puutuotteet
- ⌘ Synteettisestä kuidusta tehdyt astiat

Rajoitettu sopivuus:

- ⌘ Eräät lasit himmenevät useiden pesukertojen jälkeen.
- ⌘ Hopealla ja alumiinilla on taipumus himmetä konepesussa.
- ⌘ Lasitetut kuviot voivat himmetä, jos niitä pestään usein.

Huomioita ennen tai jälkeen astianpesukoneen korien täyttöö
(Saadaksesi parhaan pesutulokset astianpesukoneella, toimi näiden täyttöohjeiden mukaisesti. Korien ja ruokailuvälinekorien ominaisuudet ja ulkoasu voivat vaihdella mallin mukaan.)

Kaavi pois suuret ruokajäämät. Liota pannujen palaneen ruoan jäämät. Astioiden huuhtelu juoksevan veden alla ei ole välttämätöntä. Sijoita kohteet astianpesukoneeseen seuraavasti:

- ⌘ Kuppien, lasien, kattiloiden, pannujen jne. kaltaiset kohteet asetetaan alassuin.
- ⌘ Kaarevat tai syvennyksiä sisältävät kohteet tulee asettaa kallelleen, jotta vesi pääsee valumaan ulos.
- ⌘ Kaikki keittiövälineet on koottava koriin pitävästi, niin etteivät ne kaadu
- ⌘ Kaikki keittiövälineet on sijoitettava niin, että suihkuvarret pääsevät pyörimään vapaasti pesun aikana.

HUOMAUTUS:

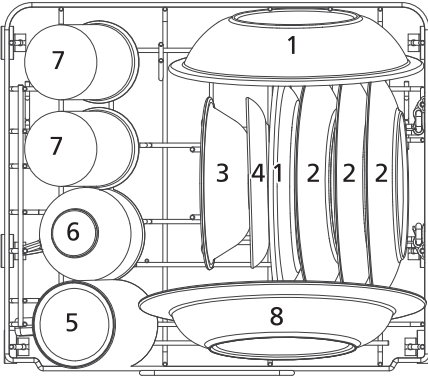
Hyvin pieniä kohteita ei tule pestä astianpesukoneessa, ne putoavat helposti korista.

- ⌘ Aseta ontot astiat, kuten kupit, lasit, pannut jne. aukko alaspäin niin, ettei vettä kerry niiden sisään.
- ⌘ Astiat ja ruokailuvälineet eivät saa olla sisäkkäin tai peittää toisiaan.
- ⌘ Välttääksesi lasien vahingoittumisen, ne eivät saa koskettaa toisiinsa.
- ⌘ Pitkäteräiset veitset, joita pidetään pystyasennossa, muodostavat mahdollisen vaaran!
- ⌘ Pitkät ja/tai terävät ruokailuvälineet, kuten leipäveitset, on sijoitettava koriin vaaka-asennossa.
- ⌘ Älä ylitäytä astianpesukonetta. Tämä on tärkeää hyvien pesutulosten ja järkevän energiankulutuksen kannalta.

• Korien täyttäminen normin EN60436 mukaisesti

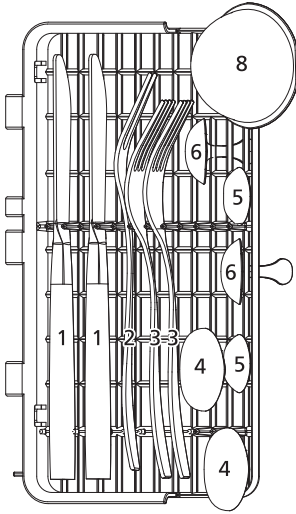
Korin täyttäminen

Asettele astiat ja ruoanlaittovälineet niin, ettei vesisuihku pysty siirtämään niitä.



Määrä	Nimike
1	Melamiini-jälkiruokalautanen
2	Jälkiruokalautanen
3	Jälkiruokamalja
4	Lautaset
5	Muki
6	Kupit
7	Lasi
8	Syvä lautanen

Ruokailuvälinekorin täyttäminen



Määrä	Nimike
1	Melamiini-jälkiruokalautanen
2	Jälkiruokalautanen
3	Jälkiruokamalja
4	Lautaset
5	Muki
6	Kupit
7	Lasi
8	Syvä lautanen

Oman turvallisuutesi ja parhaan puhdistuslaadun varmistamiseksi, aseta ruokailuvälineet koriin seuraavasti:

- Ne eivät ole kiinni toisissaan.
- Aseta ruokailuvälineet varret alaspäin.
- Mutta aseta veitset ja muut mahdollisesti vaaralliset ruokailuvälineet varret ylöspäin.


Annostelijan täyttäminen

Huuhtelukirkaste annostellaan viimeisen huuhtelun aikana estämään pisaroiden muodostamien läikkien ja raitojen syntyminen astioihin ja ruokailuvälineisiin.

VAROITUS

⌘ **Käytä ainoastaan astianpesukoneille tarkoitettua pesuainetta.**

Älä käytä mitään muuta huuhteluainetta ja pesuainetta. Tämä vahingoittaa astianpesukonetta.

⌘  **Astianpesukoneen pesuaine on syövyttävää! Pidä astianpesukoneen pesuaine lasten ulottumattomissa.**

Pesuainetiiviste

Pesuaineet voidaan jakaa niiden kemialliseen koostumukseen perustuen kahteen päätyyppiin.

⌘ Perinteiset emäksiset pesuaineet, joissa on emäksisiä komponentteja.

⌘ Matalaemäksiset pesuainetiivisteet, joissa luonnollisia entsyymejä. Normaalin pesuohjelman käyttö yhdistettynä pesuainetiivisteeseen käyttöön vähentää saastumista jo hyvä astioille.

Pesuainetabletit

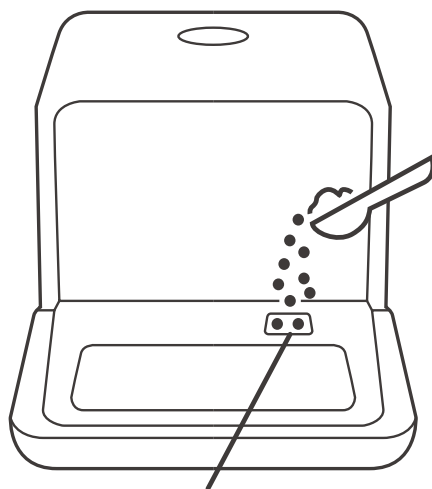
Eri tuotemerkkien pesuainetabletit liukenevat eri nopeuksilla. Tästä syystä jotkut pesuainetabletit eivät liukene ja kehitä niiden täyttä

puhdistustehoa lyhyiden pesuohjelmien aikana. Käytä sen vuoksi pitkiä ohjelmia, kun käytät pesuainetabletteja, varmistaaksesi pesuainejäämien poistamisen kokonaan.

Pesuaine

Pesuaine on lisättävä ennen kunkin pesuohjelman aloittamista Pesuohjelmataulukon ohjeiden mukaisesti. Pesukoneesi käyttää vähemmän pesuainetta kuin perinteinen astianpesukone. Yleensä vain yksi teelusikallinen pesuainetta tarvitaan normaalille pesukuormalle. Raskaammin likaantuneet kohteet vaativat enemmän pesuainetta. Lisää pesuaine aina juuri ennen astianpesukoneen käynnistämistä, muuten se voi kostua eikä liukene oikein.

Pesuaineen lisääminen



Pesuainelokero

ASTIANPESUKONEEN OHJELMOINTI

Pesuohjelmataulukko

Alla olevista taulukoista näkyy, mitkä pesuohjelmat ovat parhaita niiden ruokajäämien tasoille ja kuinka paljon pesuainetta tarvitaan. Se näyttää myös erilaisia tietoja ohjelmista.

Ohjelma	Pesuohjelman kuvaus	Pesuaine	Aika (min)	Energia (kWh)	Vesi (l)
LASI	Pesu (50°C) Huuhtelu Huuhtelu (65°C) Kuivaus	10g	85	0,400	5,0
HÖYRYPESU	Pesu (69°C) Huuhtelu Huuhtelu (70°C) Kuivaus	10g	125	0,500	5,0
HUUHTELU	/	/	6	0,010	5,0
INTENSIIVINEN	Pesu (62°C) Huuhtelu Huuhtelu (70°C) Kuivaus	10g	160	0,500	5,0
PIKA	Pesu (50°C) Huuhtelu Huuhtelu (60°C)	10g	29	0,350	5,0
VIRRANSÄÄSTÖ (*EN 60436)	Pesu (50°C) Huuhtelu Huuhtelu (72°C) Kuivaus	10g	160	0,396	5,0

HUOMAUTUS:

EN 60436: Tämä ohjelma on testipesuohjelma. Tiedot vertailtavuustesteistä normin EN60436.

Laitteen kytkeminen päälle

Pesuohjelman käynnistäminen

Vedä kori ulos (katso osa "Astianpesukoneen täyttäminen").

Kaada sisään pesuaine (Katso osa "Täytä pesuaine")

Liitä pistoke pistorasiaan. Virransyöttö on 220–240 VA C 50 Hz,

Pistorasian tekniset tiedot ovat 10 A 250 V AC.

Kytke astianpesukone päälle painamalla virtapainiketta.

Liitä tuloletku hanaan. Varmista, että vedentulo on käännetty

täydelle paineella tai lisää vettä säiliöön manuaalisesti.

Valitse sopiva pesuohjelma kohdan "Pesuohjelmataulukko" mukaisesti.

Kun ohjelma on valittu, vastaava merkkivalo palaa. Paina sitten

Käynnistä/Keskeytä-painiketta, astianpesukone käynnistyy.

HUOMAUTUS:

Kun painat Käynnistä/Keskeytä-painiketta pesun aikana,

astianpesukoneesta kuuluu äänimerkki minuutin välein, jollet paina

Käynnistä/Keskeytä-painiketta käynnistääksesi laitteen.

Vaihda ohjelma

Pesuohjelmaa voi vaihtaa ainoastaan, jos se on ollut käynnissä lyhyen ajan, muuten pesuainetta on voitu jo annostella ja astinpesukone on voinut jo poistaa pesuveden. Tässä tapauksessa astianpesukone on nollattava ja pesuaineen jakelija täytettävä uudelleen. Nollaa astianpesukone seuraavien ohjeiden mukaisesti:

1. Paina Käynnistä/Keskeytä-painiketta, paina sitten mitä tahansa ohjelmapainiketta yli 3 sekuntia, astianpesukone siirtyy valmiustilaan.
2. Paina Ohjelmapainiketta valitaksesi halutun ohjelman.
3. Paina Käynnistä/Keskeytä-painiketta, astianpesukone käynnistyy.

HUOMAUTUS:

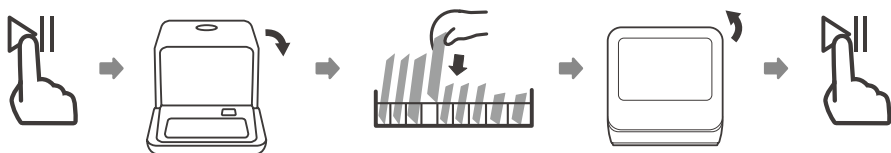
Jos haluat avata luukun pesun aikana, paina Käynnistä/Keskeytä-painiketta keskeyttääksesi ensin pesuohjelman. Kun suljet luukun ja painat Käynnistä/Keskeytä-painiketta, astianpesukoneen toiminta jatkuu 10 sekunnin kuluttua.

Jos astianpesukoneessa on keskeytymisen muisti -toiminto, se jatkaa valitun ohjelman suorittamista kohdasta, jossa virta katkesi.

Unohtitko lisätä astian?

Unohtuneen astian voi lisätä milloin tahansa ennen pesuaineen jakelijan avautumista. Tässä tapauksessa toimi alla olevien ohjeiden mukaisesti:

1. Paina Käynnistä/Keskeytä-painiketta.
2. Raota luukku hieman pesun keskeyttämiseksi.
3. Kun suihkuvarsien liike pysähtyy, voit avata luukun kokonaan.
4. Lisää unohtuneet astiat.
5. Sulje luukku.
6. Paina Käynnistä/Keskeytä-painiketta, astianpesukone käynnistyy uudelleen 10 sekunnin kuluttua.



Pesuohjelman lopussa

Kun pesuohjelma on lopussa, astianpesukoneesta kuuluu loppumisen merkiksi summeriääni 8 sekuntia. Kytke astianpesukone pois päältä painamalla PÄÄLLE/POIS-painiketta ja avaa astianpesukoneen luukku. Odota muutama minuutti ennen astioiden poistamista välttääksesi polttamasta itseäsi, astiat ja ruokailuvälineet ovat edelleen kuumia ja alttiita rikkoutumiselle. Ne myös kuivuvat paremmin.

⌘ Astianpesukoneen kytkeminen pois päältä

1. Kytke astianpesukone pois päältä painamalla PÄÄLLE/POIS-painiketta.
2. Kierrä vesihana kiinni!

⌘ Avaa luukku varovasti

Kuumat astiat ovat herkkiä iskuille. Astioiden on annettava jäähtyä noin 15 minuuttia ennen niiden poistamista astianpesukoneesta.

Avaa astianpesukoneen luukku, jätä se raolleen ja odota muutama minuutti ennen astioiden poistamista. Näin ne jäähtyvät hieman ja kuivuvat nopeammin.

⌘ Astianpesukoneen tyhjentäminen

On normaalia, että astianpesukone on märkä sisältä.

VAROITUS

On vaarallista avata luukku kesken pesuohjelman, kuuma vesi voi aiheuttaa palovamman.

Pakotettu kuivaustoiminta

Voit pitää valmiustilassa "LASI"- + "VIRRANSÄÄSTÖ "-painiketta painettuna samanaikaisesti 3 sekuntia tyhjentääksesi vesisäiliön.

KUNNOSSAPITO JA PUHDISTUS

Suodatinjärjestelmä

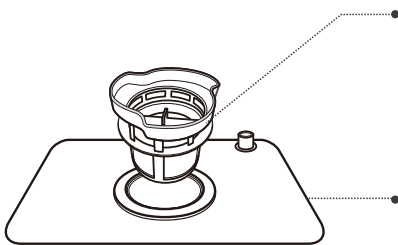
VAROITUS

⌘ **Älä koskaan käytä astianpesukonetta ilman suodattimia!**

⌘ **Varmista, että suodatin on koottu oikein.**

Suorituskyky voi heiketä ja astiat ja ruokailuvälineet voivat vahingoittua.

Suodatin poistaa tehokkaasti ruokahiukkasia pesuvedestä mahdollistaen veden kierrätyksen pesuohjelman aikana. Parjaan suorituskyvyn ja tulosten varmistamiseksi, suodatinkokoonpano on puhdistettava säännöllisesti. Tästä syystä kannattaa poistaa suodattimeen jääneet suuremmat ruokahiukkaset jokaisen pesuohjelman jälkeen huuhtelemalla suodatin ja kuppi juoksevan veden alla. Poistaaksesi suodatinkokoonpanon, vedä kupin kahvaa ylöspäin.



B. Hieno suodatin

Tämä suodatin pidättää lika- ja ruokajäämät kokooma-alueelle ja estää niiden joutumisen astioihin pesuohjelman aikana.

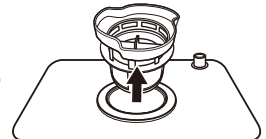
A. Pääsuodatin

Tähän suodattimeen jääneet ruoka- ja likahiukkaset hienonnetaan alasuihkuvarren erikoissuihkulla ja huuhdellaan viemäriin.

Vaihe 1: Kierrä suodatinkokoonpanoa vastapäivän löysentääksesi sen.



Vaihe 2: Nosta hieno suodatin ylös pääsuodattimesta.



HUOMAUTUS:

Kun siirryt vaiheesta 1 vaiheeseen 2, suodatinjärjestelmä irrotetaan; kun taas suoritettaessa toimenpide vaiheesta 2 vaiheeseen 1, suodatinjärjestelmä asennetaan.

Koko suodatinjärjestelmä tulee puhdistaa kerran viikossa.

- ⌘ Tarkista suodattimet tukosten varalta joka kerta, kun astianpesukonetta on käytetty.
- ⌘ Voit irrottaa suodatinjärjestelmän kiertämällä karkean suodattimen auki. Poista kaikki ruokajäämät ja puhdistaa suodattimen juoksevan veden alla.

VAROITUS

Kun puhdistat suodattimet, älä kolhi niitä. Muuten suodattimet voivat vääntyä ja astianpesukoneen suorituskyky voi heiketä.

Astianpesukoneen hoito

Ohjauspaneelin voi puhdistaa kevyesti kostutetulla liinalla. Varmista että kuivaat sen huolellisesti puhdistuksen jälkeen. Käytä ulkopinnalla hyvälaatuista laitteidenkiillotusvaahtoa. Älä koskaan käytä teräviä esineitä, hiomatuppoja tai karkeita puhdistusaineita astianpesukoneen minkään osan puhdistamiseen.

Luukun puhdistaminen

Luukun ympärillä olevien reunojen puhdistamiseen tulee käyttää vain pehmeää, lämmintä, kosteaa liinaa. Välttääksesi veden tunkeutumisen luukun lukkoon ja sähköosiin, älä käytä minkäänlaista suihkepuhdistusainetta.

VAROITUS

- ⌘ Älä käytä luukun paneelin puhdistamiseen suihkutettavia puhdistusaineita, ne voivat vahingoittaa luukun lukkoa ja elektronisia osia.
- ⌘ Hiovia puhdistusaineita tai joitakin paperipyyhkeitä ei tule käyttää, koska on vaara, että ne jättävät naarmuja tai läikkiä ruostumattomaan teräspintaan.

Suojaa jäätymiseltä

Suorita suojautumistoimet jäätymistä vastaan käyttäessäsi astianpesukonetta talvella. Toimi seuraavasti pesuohjelmien päättymisen jälkeen.

1. Irrota astianpesukoneen virtajohto pistorasiasta.
2. Katkaise vedentulo ja irrota vedentuloputki vesiventtiilistä.
3. Tyhjennä vesi tuloletkusta ja vesiventtiilistä (käytä astiaa veden keräämiseen).
4. Liitä vesiputki takaisin vesiventtiiliin.
5. Irrota suodatin putken pohjasta ja käytä sientä veden imemiseen säiliöstä.

HUOMAUTUS:

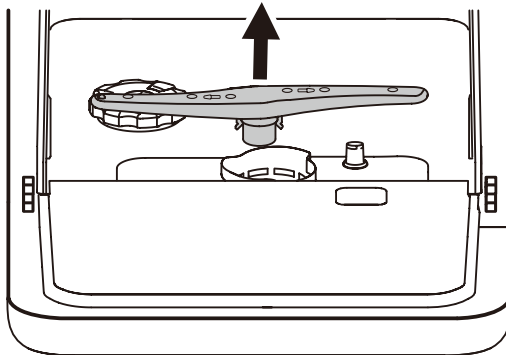
Jos astianpesukone ei toimi jään vuoksi, ota yhteyttä valtuutettuun huoltoteknikkoon.

Käyttölämpötila: tätä tuotetta suositellaan käytettäväksi yli 0 °C:n ympäristössä pakkasvaurioiden välttämiseksi.

Suihkuvarsiens puhdistaminen

Suihkuvarret voi irrottaa helposti suuttimien säännöllistä puhdistusta varten mahdollisen tukkiutumisen estämiseksi. Pese ne juoksevan veden alla ja aseta ne varovasti takaisin paikoilleen ja tarkista, ettei niiden kiertoliike ole millään tavoin estynyt.

Tartu suihkuvarteen keskeltä ja vedä sitä ylöspäin irrottaaksesi sen. Pese varret juoksevan veden alla ja aseta ne huolellisesti takaisin paikoilleen. Tarkista kokoamisen jälkeen, että suihkuvarret pyörivät vapaasti. Muuten tarkista, onko ne asennettu oikein.



Kuinka pidät astianpesukoneen kunnossa

Jokaisen pesun jälkeen

Katkaise jokaisen pesun jälkeen veden tulo astianpesukoneeseen ja jätä luukku raolleen, jotta kosteus ja hajut eivät jää koneen sisään.

Irrota tulppa

Irrota aina ennen puhdistusta ja kunnossapitoa pistoke pistorasiasta.

Ei liuottimia tai hiovia puhdistusaineita.

Kun puhdistat astianpesukoneen ulkopinnan tai kumiosia, älä käytä liuottimia tai hiovia puhdistustuotteita. Käytä ainoastaan liinaa ja lämmintä pesuaineliuosta.

Poistaaksesi läiskät tai tahrat sisäpinnalta, käytä liinaa, joka on kostutettu vedellä ja tilkalla etikkaa, tai erityisesti astianpesukoneille tarkoitettua puhdistustuotetta.

Kun laitetta ei käytetä pitkään aikaan

On suositeltavaa, että suoritat pesuohjelman tyhjällä astianpesukoneella ja sen jälkeen irrotat pistokkeen pistorasiasta, katkaiset vedentulon ja jätät astianpesukoneen luukun raolleen. Tämä pitää luukun tiivisteet kunnossa pitempään ja estää hajujen muodostumisen astianpesukoneen sisällä.

Astianpesukoneen siirtäminen

Jos astianpesukonetta on siirrettävä, yritä pitää sitä pystyasennossa. Jos on aivan välttämätöntä, sen voi sijoittaa selälleen.

ASENNUS

VAROITUS



Sähköiskun vaara

Irrota pistoke pistorasiasta ennen astianpesukoneen asentamista.

Tämän laiminlyönti voi johtaa sähköiskuun tai kuolemaan.

Huomautus

Putkien ja sähkölaitteiden asennus on jätettävä ammattilaisille.

Asennuksen valmistelu

Astianpesukoneen asennuspaikan tulee olla lähellä olemassa olevaa vesihanaa, poistoliitäntää ja pistorasiaa.

Yksi kaapin pesualtaan sivu tulee valita mahdollistamaan astianpesukoneen poistoletkujen liittäminen.

Astianpesukoneen sijoittaminen

Sijoita astianpesukone haluttuun sijaintiin. Takaosan on oltava sen takana olevaa seinää vasten ja sivujen viereisten kaappien seinien mukaisesti tai seinää vasten. Astianpesukone on varustettu veden tulo- ja poistoletkuilla, jotka voi sijoittaa joko oikealle tai vasemmalle puolelle oikean asennuksen mahdollistamiseksi.

Tietoja virtaliitännästä

VAROITUS

Henkilökohtaisen turvallisuuden vuoksi:

⌘ Älä käytä tätä astianpesukonetta jatkojohdolla tai sovitinpistokkeella.

⌘ Älä missään tapauksessa leikkaa tai irrota virtakaapelin maadoitusyhteyttä.

Sähkövaatimukset.

Katso arvokilvestä nimellisjännite ja liitä astianpesukone asianmukaiseen pistorasiaan. Käytä vaadittua 10 ampeerin sulaketta, aikaviivesulaketta tai suositeltua katkaisijaa ja yksin tälle laitteelle varattua virtapiiriä.

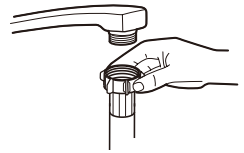
Sähköliitäntä

Varmista, että sähkön jännite ja taajuus vastaavat arvokilpeen merkittyjä. Liitä pistoke vain oikein maadoitettuun pistorasiaan. Jos pistorasia, johon laite on liitettävä, ei ole sopiva pistokkeelle, pistorasia on vaihdettava sovittimen tai vastaavan käytön asemesta, ne voivat aiheuttaa ylikuumentumisen ja tulipalon.

⚠ Varmista, että kone on maadoitettu ennen käyttöä

Vesiliitäntä

Liitä kylmävesiletku kierteiseen 3/4 (tuuman) liittimeen ja varmista, että se kiinnitetty tiukasti paikalleen. Jos vesiputket ovat uusia, tai jos niitä ei ole käytetty pitkään aikaan, anna veden juosta varmistaaksesi, että vesi on puhdasta. Jos tätä varotointa ei tehdä, on olemassa vaara, että vedentulo voi tukkeutua ja astianpesukone vahingoittua.

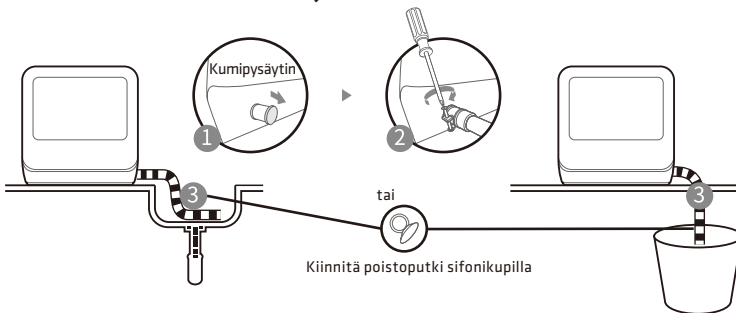


HUOMAUTUS:

Jos toimitukseen kuuluva letku ei sovi vesihanaan, ota yhteyttä paikalliseen alan yrittäjään, jolta voi ostaa sovittimia.

Poistoletkujen liitäntä

Kiinnitä poistoletku astianpesukoneen takaputkeen. Liitäntä kiinnitetään letkunkiristimellä ja se kiristetään ruuvitaltalla.



Poistoletkun liitäntä: Vie poistoletkun toinen pää pesualtaaseen tai sankoon.

Liikaveden laskeminen letkuista

Jos pesuallas on yli 1000 mm lattian yläpuolella, letkujen liikavettä ei voi laskea suoraan tiskialtaaseen. On välttämätöntä laskea liikavesi letkuista vatiin tai sopivaan säiliöön, joka on tiskialtaan ulkopuolella ja alempana sitä.

Veden tyhjennysaukko

Liitä vedenpoistoletku. Poistoletkun on oltava oikein kiinnitetty vesivuotojen estämiseksi. Varmista, ettei vedenpoistoletku ole vääntynyt tai litistynyt.

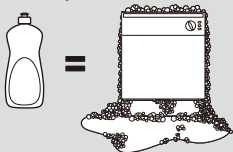
Jatkoletku

Jos poistoletkua on jatkettava, varmista, että käytät samanlaista poistoletkua. Sen on oltava 4 metriä lyhyempi, muuten astianpesukoneen puhdistusteho heikkenee.

VIANMÄÄRITYSVINKKEJÄ

Ennen huoltoon soittamista

Tutustuminen seuraavilla sivuilla oleviin taulukoihin voi säästää sinut asiakaspalveluun soittamiselta.

Ongelma	Mahdollinen syy	Mitä tehdä
Astianpesukone ei käynnisty	Sulake palanut tai virtakatkaisin lauennut.	Vaihda sulake tai palauta virtakatkaisija. Irrota muut laitteet samasta virtapiiristä kuin astianpesukone.
	Pistoasiaa ei ole kytketty päälle.	Varmista, että astianpesukone on kytketty päälle, ja että luukku on suljettu kunnolla. Varmista, että virtajohto on liitetty oikein pistorasiaan.
	Veden virtaus sisään poikkeava; vedenpaine on matala.	Tarkista, että vedensyöttö on liitetty oikein ja vedentulo kytketty päälle.
	Astianpesukoneen luukkua ei ole suljettu oikein.	Varmista, että suljet luukun oikein ja salpaat sen.
Vettä ei pumpata astianpesukoneesta	Vettä ei pumpata astianpesukoneesta.	Tarkista poistoletku.
	Suodatin tukossa.	Tarkista karkea suodatin.
	Tiskiallas tukossa.	Tarkista tiskiallas varmistaaksesi, että se tyhjenee kunnolla. Jos ongelma johtuu tyhjenemättömästä tiskialtaasta, tarvitset ehkä putkimiestä astianpesukoneen huoltoteknikon asemesta.
Vaahtoa altaassa	Väärä pesuaine. 	Käytä ainoastaan astianpesukoneelle tarkoitettua pesuainetta vaahdon välttämiseksi. Jos astianpesukoneessa esiintyy vaahtoa. Avaa luukku 20–30 minuutiksi antaaksesi vaahdon haihtua. Jos vaahtoa on vielä eristeessä. Lisää 1,5 l vettä eristeeseen, sulje astianpesukoneen luukku ja suorita pakollinen vedenpoisto poistaaksesi sen veden mukana. Toista tämä toimenpide, kunnes vaahdo on poistettu.
	Vuotanut huuhtelukirkaste.	Pyyhi huuhtelukirkastevuodot aina pois välittömästi.
Altaan sisätila likainen	On ehkä käytetty väriainetta sisältävää pesuainetta.	Varmista, ette pesuaineessa ole väriainetta.

Ongelma	Mahdollinen syy	Mitä tehdä
Sisäpinoilla valkoinen kalvo	Kovia vesimineraaleja.	Puhdistaaksesi sisäpinnat, käytä kosteaa sientä ja astianpesukoneen pesuainetta ja käytä kumihansikkaita. Älä koskaan käytä muita puhdistusaineita kuin astianpesukoneelle tarkoitettua pesuainetta, se voi aiheuttaa vaahtoamista.
Keittiövälineissä on ruostetta	Kyseiset kohteet eivät ole syöpyymisenkestäviä.	Vältä syöpyymistä kestävämmien kohteiden pesemistä astianpesukoneella.
	Pesuohjelmaa ei suoritettu astianpesukoneen suolan lisäämisen jälkeen. Suolajäämiä on joutunut pesuohjelmaan.	Suorita aina pesuohjelma suolan lisäämisen jälkeen ilman astioita. Älä valitse Turbo-toimintoa (jos sellainen on).
	Pehmentimen kansi on löysä.	Varmista, että pehmentimen kansi on kiinni.
Astianpesukoneesta kuuluu koputtavaa ääntä	Suihkuvarsi osuu johonkin korissa olevaan kohteeseen	Keskeytä ohjelma ja järjestä uudelleen astiat, jotka ovat suihkuvarren tiellä.
Astianpesukoneesta kuuluu kalisevaa ääntä	Jotkin talousastiat ovat löysästi paikallaan astianpesukoneessa.	Keskeytä ohjelma ja järjestä astiat uudelleen.
Vesijohdoista kuuluu koputtavaa ääntä	Tämä voi johtua paikalla suoritetusta asennuksesta tai ristikkäisestä putkiasennuksesta.	Tällä ei ole vaikutusta astianpesukoneen toimintaan. Jollet ole varma, kysy neuvoa pätevältä putkimieheltä.
Astiat eivät puhdistu	Astioita ei ole lisätty oikein.	Katso huomautukset kohdassa "Astianpesukoneen täyttö ja tyhjennys".
	Pesuohjelma ei ollut riittävän tehokas.	Valitse tehokkaampi ohjelma.
	Pesuainetta ei annosteltu tarpeeksi.	Käytä enemmän pesuainetta tai vaihda pesuaine.
	Jokin estää suihkuvarsiensa liikkeen.	Järjestä astiat niin, että suihkuvarret pääsevät liikkumaan vapaasti.
	Suodatinkokoonpano ei ole puhdas tai sen on kiinnitetty väärin astianpesukoneen pohjaan. Tämä voi aiheuttaa suihkuvarren suuttimien tukkeutumisen.	Puhdista ja/tai kiinnitä suodatin oikein. Puhdista suihkuvarren suuttimet.

Ongelma	Mahdollinen syy	Mitä tehdä
Sameutta lasitavarassa.	Yhdistelmä pehmeästä vedestä ja liian suuresta pesuainemäärästä.	Käytä vähemmän pesuainetta, jos käytettävä vesi on pehmeää ja valitse lasitavaroiden puhdistamiseen lyhyempi pesuohjelma.
Valkoisia läikkiä näkyy astioissa ja laseissa.	Kova vesi voi aiheuttaa kalkkikivijäämiä.	Lisää pesuainetta enemmän.
Mustia tai vihreitä tahroja astioissa	Alumiiniset keittiövälineet ovat hankautuneet astioita vasten.	Käytä läikkien poistamiseen mietoa, hiovaa puhdistusainetta.
Pesujauhetta jäljellä annostelijassa	Astiat tukkivat pesuaineen annostelijan.	Järjestele astiat uudelleen oikein.
Astiat eivät kuivu.	Väärä asettelu	Täytä astianpesukone ohjeiden mukaisesti.
	Astiat poistettu liian aikaisin.	Älä tyhjennä astianpesukonetta heti pesun jälkeen. Jätä luukku hieman raolleen, jotta höyry pääsee haihtumaan. Ota astiat ulos, kun ne ovat jäähtyneet turvallisiksi koskettaa. Tyhjennä ensin alakori välttääksesi veden tippumisen yläkorista.
	Väärä pesuohjelma on valittu.	Lyhyellä ohjelmalla pesulämpötila on matalampi, mikä laskee puhdistustehokkuutta. Valitse pesuohjelma, jossa on pitkä pesuaika.
	Käytetään keittiövälineitä, joissa on heikkolaatuinen pinoite.	Vesi haihtuu hitaammin tällaisilta kohteilta. Tämän tyyppiset keittiövälineet eivät sovellu konepestäviksi.

Virhesignaalit

Kun ilmenee jokin toimintahäiriö, astianpesukone näyttää signaalin varoittaakseen sinua:

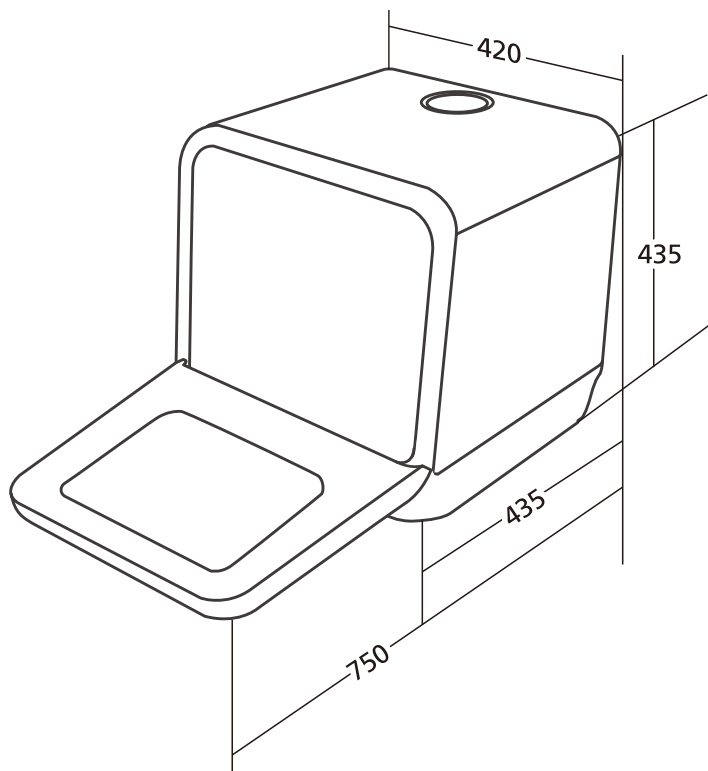
Signaalit	Merkitykset	Mahdollinen syy
E1	Pitempi vedentuloaika	Virtausmittari-, poistoventtiili- tai pumppuvika tulee jättää pätevä teknikon korjattavaksi.

E3	Vaadittua lämpötilaa ei saavuteta	Lämmitysputki- tai termistoripojikkeavuus. Sen saa korjata vain ammattitaitoinen teknikko.
E4	Ylivuoto.	Jokin astianpesukoneen osa vuotaa.
E9	Kosketuspainike juuttuu kiinni	Vesi tai muu materiaali näppäinalueella aiheuttaa sen. Korjaaminen on jätettävä pätevälle teknikolle.
Ed	Pojikkeavuus tiedonsiirrossa.	Korjaaminen on jätettävä pätevälle teknikolle.
EA	Höytygeneraattorin poikkeama	Korjaaminen on jätettävä pätevälle teknikolle.

VAROITUS

- ⌘ Ylivuodon ilmetessä sulje päävedensyöttö ennen huoltoon soittamista.
- ⌘ Jos vettä on jäänyt pohja-altaaseen ylivuodon tai pienen vuodon seurauksena, vesi on poistettava ennen astianpesukoneen käynnistämistä uudelleen.

TEKNISET TIEDOT



Korkeus	435 mm
Leveys	420 mm
Syvyys	435 mm
Jänniteverkkoon kytketty kuorma	katso arvokilpi
Vedenpaine	0,04-1,0 MPa
Virransyöttö	katso arvokilpi
Tilavuus	2 paikka-asetusta

Tuoteseloste (En60436)

Toimittajan nimi tai tavaramerkki:				
Toimittajan osoite:				
Mallitunnus: PTDW1				
Tuotteen yliset parametrit:				
Parametrit	Arvo	Parametrit	Arvo	
Nimelliskapasiteetti (°) (ps)	2	Mitat (cm)	Korkeus	43,5
			Leveys	42,0
			Syvyys	43,5
EEI (°)	62,9	Energiatehokkuusluokka (°)	G (°)	
Puhdistussuorituskykyindeksi (°)	1,13	Kuivaussuorituskykyindeksi (°)	0,86	
Energiankulutus kWh-yksiköllä [pesuohjelmaa kohti] perustuen eco-ohjelmaan käyttäen kylmää vettä. Todellinen virrankulutus on laitteen käytön mukainen.	0,396	Vedenkulutus litroina [pesuohjelmaa kohti] perustuen eco-ohjelmaan. Todellinen vedenkulutus on laitteen käytön ja veden kovuuden mukainen.	5,0	
Ohjelman kesto (°) (h:min)	2:40	Tyyppi	Vapaasti seisova	
Äänitaso ilmaistuna äänen tehona (°) (dB(A) re 1 pW)	58	Äänitason luokka (°)	D (°)	
Pois päältä -tila (W)	0,49	Valmiustila (W)	N/A	
Viivekäynnistys (W) (jos käytettävissä)	1,00	Verkotettu valmiustila (W) (jos käytettävissä)	N/A	
Toimittajan tarjoama takuun minimikesto (°):				
Lisätietoja:				
Linkki toimittajan verkkosivustolle, jossa löytyvät komission säädöksen (EU) 2019/2022 (1) (2) Liite II:n kohdan 6 tiedot				
(a) eco-ohjelmasta.				
(b) muutoksia näihin ehtoihin ei pidetä merkityksellisinä Sädöksen (EU) 2017/1369 artikkeli 4:n kappale 4:n kannalta.				
(c) jos tuotteen tietokanta tuottaa automaattisesti täydellisen sisällön tähän kenttään, toimittaja ei syötä näitä tietoja.				
(1) Komission säädös (EU) 2019/2022, annettu 1. marraskuuta 2019 kotitalouden astianpesukoneiden ekologista suunnittelua koskevista Euroopan parlamentin ja neuvoston direktiivin 2009/125/EY nojalla sekä komission asetuksen (EY) N:o 1275/2008 muuttamisesta ja komission asetuksen (EY) N:o 1016/2010 kumoamisesta (katso tämän virallisen lehden sivu 267).				

TEKNISET TIEDOT

Malli: PTDW1

Nimellisjännite: AC220-240V 50Hz

Tehonkulutus: 730-860W



Tämä tuotteeseen tai ohjeisiin merkitty symboli tarkoittaa, että sähkölaitteet ja elektroniikka on hävitettävä käyttökänsä päättyessä erillään kotitalousjätteestä. EU:ssa on kierrätystä varten erilliset keruujärjestelmät. Jos haluat lisätietoja, ota yhteys paikallisiin viranomaisiin tai tuotteen myyneeseen liikkeeseen.

Power International AS,
PO Box 523, N-1471 Lørenskog, Norway

Power Norjassa:
<https://www.power.no/kundeservice/>
P: 21 00 40 00

Power Tanskassa:
<https://www.power.dk/kundeservice/>
P: 70 33 80 80

Punkt 1 Tanskassa:
<https://www.punkt1.dk/kundeservice/>
P: 70 70 17 07

Power Suomessa:
<https://www.power.fi/tuki/asiakaspalvelu/>
P: 0305 0305

Power Ruotsissa:
<https://www.power.se/kundservice/>
P: 08 517 66 000

VIGTIGE SIKKERHEDSINSTRUKTIONER

ADVARSEL

Når du bruger din opvaskemaskine, skal du følge nedenstående forholdsregler:

- Apparatet er beregnet til brug i hjemmet og lignende steder, som f.eks.:
 - personalekøkkener i butikker, kontorer og andre arbejdspladser;
 - på gårde;
 - af gæster på hoteller, moteller og andre boligmiljøer;
 - bed & breakfast-miljøer.
- Dette apparat må ikke bruges af børn under 8 år eller af personer med nedsatte fysiske, følelsesmæssige eller mentale evner eller med mangel på erfaring eller viden, hvis de ikke er under opsyn eller er blevet instrueret i, hvordan dette apparat bruges sikkert, og forstår risikoen ved at bruge det. Børn må ikke lege med dette apparat. Rengøring og vedligeholdelse må ikke udføres af børn uden opsyn. (på EN60335-1)
- Apparatet er ikke beregnet til anvendelse af personer (herunder børn) med nedsatte fysiske, sansemæssige eller mentale evner. Det må heller ikke bruges af personer med manglende erfaring eller viden, medmindre de er under opsyn af eller er blevet vejledt i brugen af apparatet af en person med ansvar for deres sikkerhed. (på IEC60335-1)
- Dette apparat er kun beregnet til husholdningsbrug.
- For at beskytte mod risikoen for elektrisk stød, må du

ikke komme apparatet, ledningen eller stikket i vand eller andre væsker.

- Afbryd apparatet før rengøring og vedligeholdelse.
- Brug en blød klud fugtet med mild sæbe, og brug derefter en tør klud til at tørre apparatet af.

Vejledninger til jordforbindelse

- Dette apparat skal jordforbindes. I tilfælde af en funktionsfejl eller nedbrud, reducerer en jordforbindelse risikoen for et elektrisk stød, ved at give et udløb med mindst mulig modstand af elektrisk strøm. Dette apparat er udstyret med et ledning, der har en jordingsleder og et stik med jordforbindelse.
- Stikket skal tilsluttes en passende stikkontakt, der er installeret og jordforbundet i overensstemmelse med alle lokale regler og forordninger.
- Stikket, der følger med apparatet, må ikke ændre, hvis det ikke passer til stikkontakten. Få et korrekt stikkontakt installeret af en kvalificeret elektriker.
- Forkert tilslutning af det jordforbundne stik kan føre til risiko for elektrisk stød. Kontakt en kvalificeret elektriker eller servicerepræsentant, hvis du er i tvivl om apparatet er korrekt jordforbundet.

Generel brug

- Du må ikke misbruge, sidde på eller stå på lågen eller skuffen i opvaskemaskinen.
- Apparatet må ikke bruges, før alle delene i apparatet er korrekt på plads.
- Åbn forsigtigt lågen, hvis apparatet er i gang, da vandet kan sprøjte ud.

- Anbring ikke tunge genstande på lågen, og stå ikke på lågen, når den er åben. Apparatet kan vippe fremad.
- Når du lægger tingene i, der skal vaskes:
 - Placer skarpe genstande, så de ikke risikere at skade pakningen på lågen;
 - **Advarsel:** Knive og andre redskaber med skarpe spidser, skal lægges i kurven med deres spidser nedad eller læg dem vandret.
- Kontroller, at beholderen til opvaskemidlet er tomt, når vasken er færdig.
- Vask ikke plastikgenstande, medmindre de er mærket sikker til opvaskemaskine eller tilsvarende. Kontroller producentens anbefalinger for umærkede plastikvarer.
- Brug kun opvaskemidler, der er beregnet til en automatisk opvaskemaskine.
- Brug aldrig sæbe, vaskemiddel eller håndvaskemiddel i apparatet.
- Børn skal være under opsyn, så de ikke leger med apparatet.
- Lågen må ikke efterlades åben, da dette kan øge risikoen for fald.
- Hvis netledningen beskadiges, skal den, for at undgå fare, udskiftes af enten fabrikanten, dens servicerepræsentant eller af en tilsvarende kvalificeret person.
- Under installationen må strømforsyningen ikke bøjes eller trykkes for meget.
- Betjeningselementerne må ikke ændres.
- Apparatet skal tilsluttes vandforsyningen med et nyt slangesæt. Gamle slangesæt må ikke bruges igen.

- Det maksimalt tilladte tryk på indløbsvandet er 1 MPa.
- Det minimale tilladte tryk på indløbsvandet er 0,04 MPa.

Bortskaffelse

- Apparatet og emballagen skal bortskaffes på en genbrugsplads. Klip ledningen over og sørg for, at lågen ikke kan lukkes.
- Papemballage er fremstillet af genbrugspapir og skal bortskaffes i skraldespande til affaldspapir.
- Ved at sikre, at dette produkt bortskaffes korrekt, hjælper du med at forhindre potentielle negative konsekvenser for miljøet og menneskers sundhed, som ellers kan forårsages af upassende affaldshåndtering af dette produkt.
- For yderligere oplysninger om genbrug af dette produkt, bedes du kontakte din lokale kommune eller din lokale genbrugsplads.
- **BORTSKAFFELSE:** Produktet må ikke bortskaffes som usorteret husholdningsaffald. Bortskaffelse skal ske til genbrug.

STARTVEJLEDNING

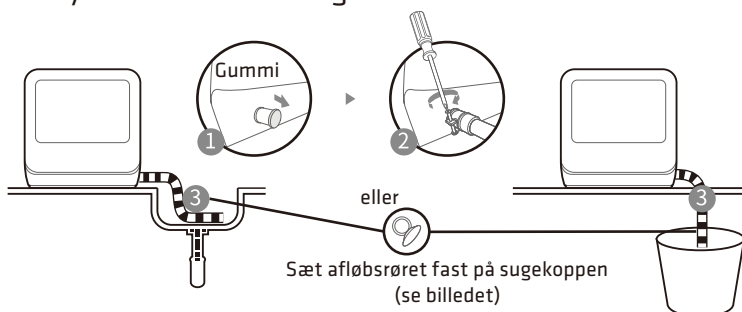
Læs det tilsvarende indhold i brugsanvisningen for mere detaljerede vejledninger.

Strømtilslutning

Strømforsyningen er 220-240 V AC/50 Hz

Specifikationen for stikket er 10 A/250 V AC

Tilslutningen af afløbsrøret: Sæt enden af afløbsrøret i en vask eller en spand. Sæt afløbsrøret fast på maskinens bagrør. Grænsefladen er udstyret med klemmer og strammes med en skruetrækker.



Forsyning af vand til opvaskemaskine

Bemærk: Før du forsyner vand, skal du trykke på tænd/sluk-knappen, for at tænde opvaskemaskinen

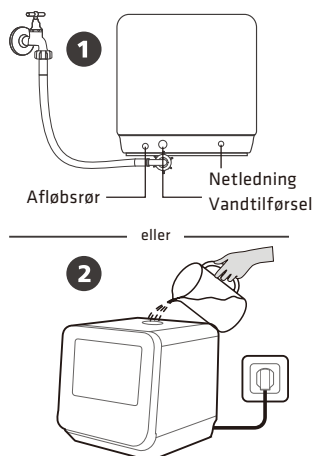
Tanken kan vandforsynes på to måder:

1. Spænd indløbsslangen fast på vandhanen;
2. Åbn hættten og forsyn vand til opvaskemaskinen manuelt

Når tanken er fyldt med vand, bipper opvaskemaskinen i 3 sekunder.

Fjernelse af store rester

Fjern store rester på genstandene, inden de sættes i opvaskemaskinen.

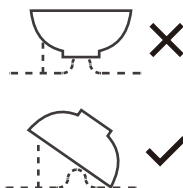
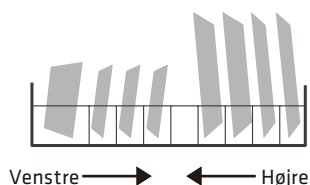




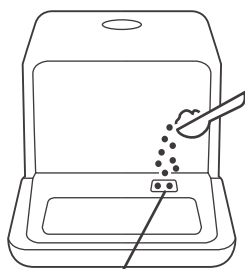
Åbning af lågen, placering af genstandene og tilsætning af vaskemiddel

Placeringsrækkefølge efter størrelse og fra de to sider til midten. Alt bestik skal vippes, for at forbedre rengøringen.

Armen blokeres, hvis bestik puttes forkert i, hvilket påvirker rengøringen.

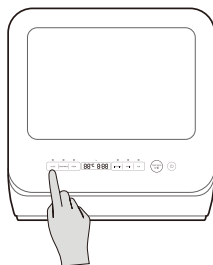
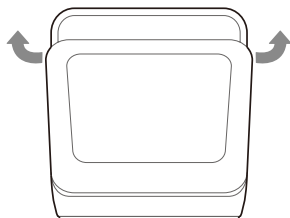


Anbring ikke genstande, der skal rengøres, i den forkerte retning, da dette kan påvirke rengøringen. Prøv at vende den beskidte side mod sprøjtearmen.



Put opvaskemidlet i her.

Luk lågen, vælg programmet og start opvaskemaskinen

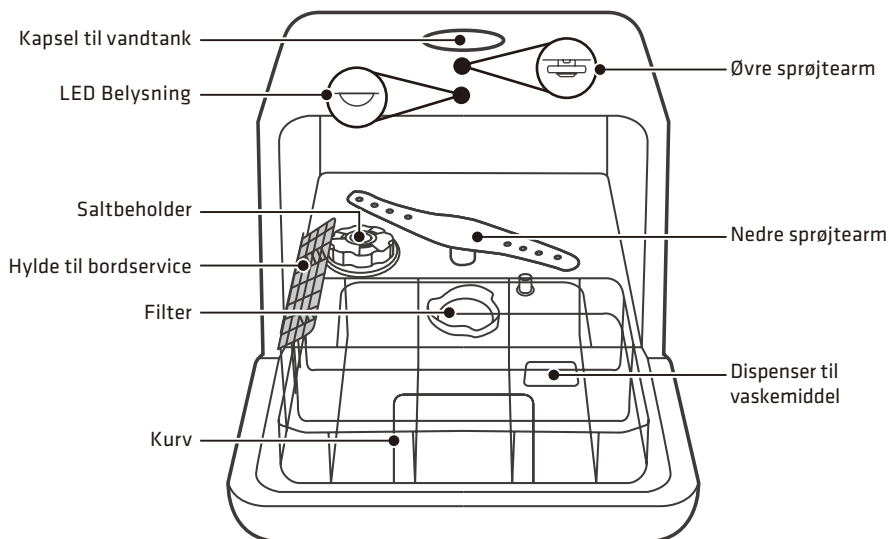


LÆR DIN OPVASKEMASKINE AT KENDE

VIGTIGT:

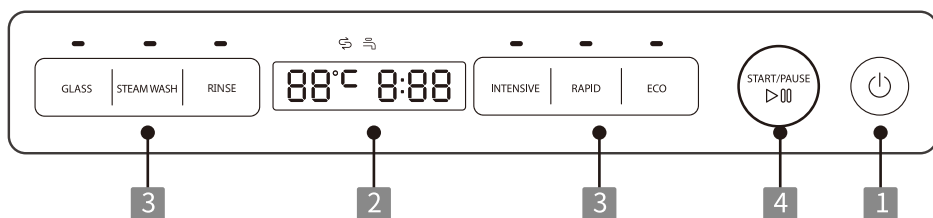
Før du bruger denne opvaskemaskine første gang og for at opnå den bedste ydelse, skal du læse denne vejledning.


Opvaskemaskinens funktioner



Vandflaske

Betjeningspanel



1	Styrke	Tænd/sluk
2	Skærm	<p>Når der vælges et program, vises den højeste temperatur og programmets længde. Når programmet starter, vises den aktuelle vandtemperatur og programmets resterende tid.</p> <p> Indikator, der lyser, hvis der ikke er nok vand</p>
3	Program	<p>Vælg det passende vaskeprogram, hvorefter tilsvarende indikator lyser.</p> <p>GLAS Til let beskidte tallerkner og glas.</p> <p>DAMPVASK Med den bedste vaskeevne. Damp genereres ved høj temperatur i de første 5 minutter, hvilket kan blødgøre pletter og dræbe bakterier.</p> <p>SKYLNING At skylle retter, som du planlægger at vaske senere på dagen, og som også er egnet til skylning af frugt.</p> <p>INTENSIV Til tallerkener med oliefarver og meget beskidte køkkenredskaber og tallerkner.</p> <p>HURTIG Til let snavsede tallerkner, hvor den nødvendige opvasketid er relativ kort.</p> <p>ECO Til generelt beskidte tallerkener og redskaber (såsom gryder, tallerkener, glas, pander).</p>
4	Start/Pause	Til at starte eller sætte vasken på pause.

SÅDAN BRUGES DIN OPVASKEMASKINE

BEMÆRK:

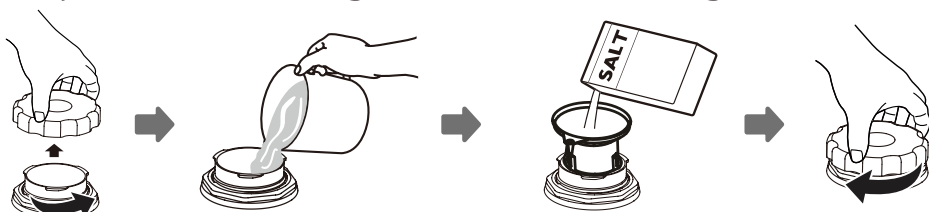
Hvis din model ikke har en blødgøringsenhed, kan du springe dette afsnit over.

Sådan hældes saltet i blødgøringsenheden

Brug altid salt, der er beregnet til brug med opvaskemaskiner. Saltbeholderen sidder under kurven, og den skal fyldes op på følgende måde:

ADVARSEL

- ⌘ Brug kun salt, der er beregnet til opvaskemaskiner! Al anden salt, der ikke er beregnet til opvaskemaskiner, især bordsalt, vil beskadige blødgøringsenheden. I tilfælde af skader forårsaget af brug af uegnet salt, yder producenten ingen garanti, og producenten er heller ikke ansvarlig for andre eventuelle skader.
- ⌘ Fyld kun enheden med salt, inden du starter apparatet. Dette gør at eventuelt spildte saltkorn eller saltvand, ikke forbliver i bunden af opvaskemaskinen i længere tid, hvilket kan forårsage korrosion.



- A. Fjern kurven, og skru derefter kapslen af saltbeholderen.
- B. Før første opvask, skal du tilføje 1 liter vand i saltbeholderen i opvaskemaskinen.
- C. Sæt enden af tragten (udelukket) i hullet, og hæld cirka 0,13 kg opvaskemaskinesalt i. Det er normalt, at en lille mængde vand kommer ud af saltbeholderen.
- D. Når beholderen er fyldt, skrues kapslen på igen. Skru den med uret.
- E. Advarselslyset til saltet holder normalt op med at blinke inden for 2-6 dage, når saltbeholderen er fyldt med salt.
- F. Umiddelbart efter påfyldning af saltet i saltbeholderen, skal et vaskeprogram startes (vi anbefaler at bruge et hurtigt program).

Ellers kan filtersystemet, pumpen eller andre vigtige dele i maskinen blive beskadiget af saltvandet. Dette dækkes ikke af garantien.

BEMÆRK:

- ⌘ Saltbeholderen må kun fyldes op igen, når advarselsslampen for salt begynder at lyse på betjeningspanelet. Afhængigt af hvor meget saltet opløses, kan advarselsslampen til saltet begynde at lyse, selvom saltbeholderen er fuld.
- ⌘ Hvis der ikke er nogen advarselsslampe til salt på din maskine (på nogle modeller), kan du regne ud, hvornår der skal salt i blødgøringsenheden, ved at tælle, hvor mange gange opvaskemaskinen har kørt.

Justering af saltforbruget

Følg nedenstående trin for, at justere saltforbruget.

Trin 1: Åbning af saltjusteringsfunktionen

Luk lågen, og hold - inden for 60 sekunder efter vaskemaskinen er blevet tændt - GLAS-knappen nede i 5 sekunder, hvorefter opvaskemaskinen går på indstillingsfunktionen.

Trin 2: Vælg et bestemt saltforbrug

Tryk på Glas-knappen for at vælge det rigtige sæt i henhold til dit lokale miljø. Sættene skifter i følgende rækkefølge: H1->H2->H3->H4->H5->H6.

Trin 3: Afslutning af saltjusteringsfunktionen

Hvis der ikke trykkes på nogen knapper i fem sekunder, afslutter opvaskemaskinen indstillingsfunktionen og går på standby.

Der er 6 niveauer af saltforbrug i alt. Det anbefales at vælge niveauet i henhold til nedenstående tabel:

VANDETS HÅRDHED		Indstilling af blødgøringsenheden
°dH ¹⁾	Mmol/l ²⁾	
0-5	0-0.94	H1
6-11	1.0-2.0	H2

12-17	2.1-3.0	H3 ³⁾
18-22	3.1-4.0	H4
23-34	4.1-6.0	H5
35-55	6.1-9.8	H6

- 1) Tysk målingsgrad for vandets hårdhed
- 2) Millimol, international enhed til vandhårdhed
- 3) fabriksindstilling

Kontakt dit lokale vandforsyningsselskab for oplysninger om hårdheden i din vandforsyning.

Opfyldning af vaskemaskinens kurve

Anbefaling

- ⌘ Det anbefales, at købe redskaber, der må vaskes i opvaskemaskinen.
- ⌘ Brug et mildt rengøringsmiddel, der beskrives som 'mildt mod bordservice'. Søg om nødvendigt yderligere oplysninger hos vaskemiddelproducenter.
- ⌘ Bestemte redskaber skal vaskes på et bestemt program med den lavest mulige temperatur.
- ⌘ For at undgå skader, må glas og bestik ikke tages ud af opvaskemaskinen umiddelbart efter programmet er færdig.

Egnet til vask i opvaskemaskinen

Ikke egnet til brug:

- ⌘ Bestik med træ, porcelæn eller perlemorhåndtag
- ⌘ Plastartikler, der ikke er varmebestandige
- ⌘ Ældre bestik med limede dele, der ikke er temperaturbestandige
- ⌘ Limede bestikvarer eller tallerkener
- ⌘ Tin eller kobber
- ⌘ Krystalglas
- ⌘ Rustfri genstande, der kan ruste
- ⌘ Trægenstande
- ⌘ Genstande fremstillet af syntetiske fibre

Begrænset egnethed:

- ⌘ Nogle glastyper kan blive matte, når de har været vasket mange gange.
- ⌘ Dele af sølv og aluminium har en tendens til, at få en anden farve under vask.
- ⌘ Glaserede mønstre kan falme, hvis de vaskes meget i opvaskemaskinen.

Hold øje med følgende før og efter genstandene puttes i opvaskemaskinen

(For at få det meste ud af din opvaskemaskine skal du følge disse vejledninger. Funktioner og udseende af kurvene og bestikkurvene kan variere, afhængig af modellen)

Skrab eventuelle store føderester af. Blødgør føderesterne, der er brændt på på pander. Det er ikke nødvendigt at skylle tallerknerne under rindende vand. Læg genstandene i opvaskemaskinen på følgende måde:

- ⌘ Genstande som kopper, glas, gryder/pander og lignende skal vende nedad.
- ⌘ Buede genstande, eller genstande med fordybninger, skal lægges skråt, så vandet kan løbe ud.
- ⌘ Alle redskaber skal lægges sikkert i, så de ikke vælter.
- ⌘ Alle redskaber skal placeres på måde, så sprøjtearmene frit kan dreje under vasken.

BEMÆRK:

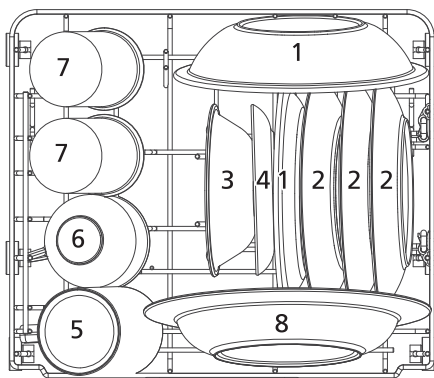
Meget små genstande må ikke vaskes i opvaskemaskinen, da de let kunne falde ud af kurven.

- ⌘ Genstande med fordybninger, som kopper, glas, pander og lignende skal vendes med åbningen nedad, så vand ikke samler sig i dem.
- ⌘ Tallerkner og bestik må ikke ligge i hinanden eller over hinanden.
- ⌘ For at undgå beskadigelse af glas, må de ikke røres.
- ⌘ Lange knive, der lægges i lodret, er en potentiel fare!
- ⌘ Lange og/eller skarpe bestik, såsom udskæringsknive, skal lægges vandret i kurven.
- ⌘ Undgå, at fylde for meget i din opvaskemaskine. Dette er vigtigt for at opnå gode resultater og et rimeligt energiforbrug.

• Opfyldning af kurvene i henhold til EN60436

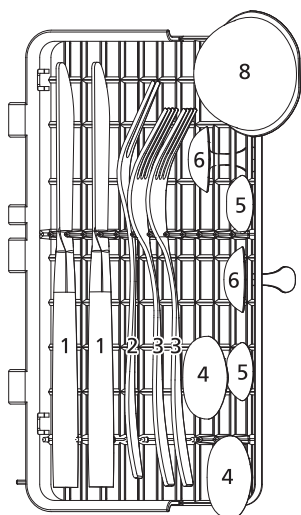
Opfyldning af kurven

Placer tallerkener og køkkengrej, så de ikke flyttes af vandstrålerne.



Nummer	Apparat
1	Desserttallerken af melamin
2	Desserttallerken
3	Dessertskål
4	Underkopper
5	Kop
6	Kopper
7	Glas
8	Dyb tallerken

Opfyldning af kurven



Nummer	Apparat
1	Knive
2	Serveringsgafler
3	Gafler
4	Suppeskeer
5	Teskeer
6	Dessertskeer
7	Serveringsske
8	Grydeskeer

Af hensyn til din personlige sikkerhed og for at opnå en ordentligt opvask, skal bestikket altid puttes i kurven på følgende måde:

- Det ikke vikler sig sammen.
- Put bestikket i med håndtag nedad.
- Men placer knive og andre potentielt farlige redskaber med håndtaget opad.

Opfyldning af opvaskemiddel i beholderen

Skyllemidlet frigøres under den sidste skylning, så vandet ikke efterlader pletter og striber på dine tallerkener og redskaber.

ADVARSEL

⌘ **Brug kun vaskemiddel, der er beregnet til opvaskemaskiner.** Brug aldrig andre skyllemidler og rengøringsmidler. Dette vil beskadige opvaskemaskinen.

⌘  **Opvaskemiddel er ætsende! Opvaskemiddel skal holdes utilgængeligt for børn.**

Koncentreret vaskemiddel

Baseret på deres kemiske sammensætning kan opvaskemidler opdeles i to grundtyper:

- ⌘ Almindelige, alkaliske opvaskemidler med kaustiske komponenter.
- ⌘ Opvaskemidler med lavt alkalisk koncentration med naturlige enzymer.

Brug af det normale vaskeprogram sammen med koncentreret opvaskemiddel, reducerer forurening og er godt for dine tallerkener.

Opvasketabletter

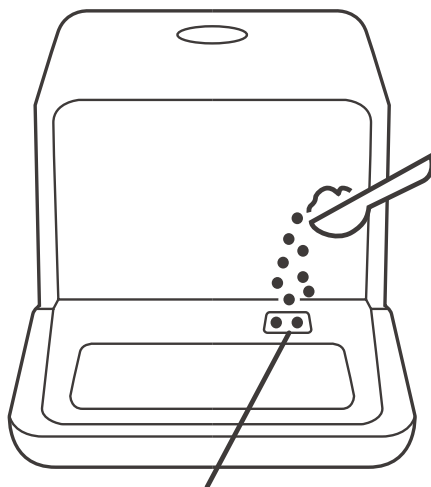
Opvasketabletter af forskellige mærker opløses med forskellige hastigheder. Derfor kan nogle vasketabletter ikke opløses og udvikle deres fulde rengøringsevne på korte programmer. Brug derfor lange

programmer, når du bruger opvasketabletter, så der ikke er rester af opvaskemiddel tilbage i beholderen.

Vaskepulver

Vaskepulver skal fyldes i før hver vask i henhold til vejledningerne på tabellen over vaskeprogrammer. Din opvaskemaskine bruger mindre vaskemiddel end en almindelig opvaskemaskine. Generelt er det kun nødvendigt med en spiseskefuld vaskemiddel til en normal vask. Meget snavsede genstande skal bruge mere vaskemiddel. Tilsæt altid vaskemidlet lige inden opvaskemaskinen startes, ellers kan det blive fugtigt, så det ikke opløses ordentligt.

Tilsæt vaskemiddel



Sted, hvor opvaskemidlet tilføjes

PROGRAMMERING AF OPVASKEMASKINEN

Tablet over vaskeprogrammerne

Tabellen nedenfor viser, hvilke programmer der er bedst, afhængig af, hvor beskidt genstandene er, og hvor meget vaskemiddel, der skal bruges. Den viser også forskellige oplysninger om programmerne.

Program	Beskrivelse af vaskens forløb	Vaskepulver	Kørselstid (min)	Energi (kWh)	Vand (L)
GLAS	Vask (50°C) Skylning Skylning (65°C) Tørring	10g	85	0,400	5,0
DAMPVASK	Vask (69°C) Skylning Skylning (70°C) Tørring	10g	125	0,500	5,0
SKYLNING	/	/	6	0,010	5,0
INTENSIV	Vask (62°C) Skylning Skylning (70°C) Tørring	10g	160	0,500	5,0
HURTIG	Vask (50°C) Skylning Skylning (60°C)	10g	29	0,350	5,0
ECO (*EN 60436)	Vask (50°C) Skylning Skylning (72°C) Tørring	10g	160	0,396	5,0

BEMÆRK:

EN 60436: Dette program er en testvask. Oplysninger til sammenligningstest i henhold til EN60436.

Sådan tændes apparatet

Sådan startes en vask.

Træk kurven ud (se afsnittet "Opfyldning af opvaskemaskinen").

Hæld vaskemidlet i (se afsnittet "Sådan fyldes vaskemidlet i").

Sæt stikket i stikkontakten. Strømforsyningen er 220-240 V AC/50 Hz, stikkets specifikation er 10 A/250 V AC.

Tryk på tænd/sluk-knappen for, at tænde opvaskemaskinen.

Sæt indløbsslangen fast på vandhanen. Sørg for, at skrue helt op for vandforsyningen, eller hæld vand i tanken manuelt.

Vælg et passende program i henhold til "Tabel over vaskeprogrammerne".

Når et program vælges, lyser den relevante indikator. Tryk på start/pause-knappen, hvorefter opvaskemaskinen starter.

BEMÆRK:

Når du trykker på start/pause-knappen, for at sætte vasken på pause, siger opvaskemaskinen en lyd hvert minut, indtil du trykker på start/pause-knappen igen.

Skift programmet

En vask kan kun ændres, hvis den har kørt i kort tid, ellers er vaskemidlet muligvis allerede blevet frigivet, eller opvaskemaskinen har muligvis allerede skyllet vandet ud. Hvis dette er tilfældet, skal opvaskemaskinen nulstilles og beholderen til vaskemidlet skal fyldes op igen. Du kan nulstille opvaskemaskinen på følgende måde:

1. Tryk på start/pause-knappen, og hold derefter en programknap nede i 3 sekunder, hvorefter opvaskemaskinen går på standby.
2. Tryk på program-knappen, for at vælge det ønskede program.
3. Tryk på start/pause-knappen, hvorefter opvaskemaskinen starter.

BEMÆRK:

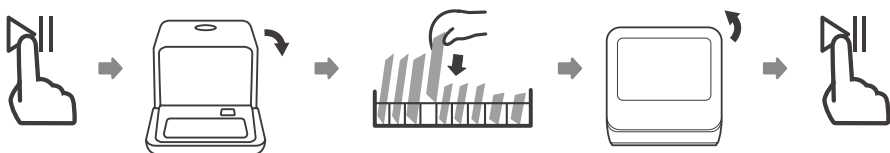
Hvis du vil åbne lågen under en vask, skal du trykke på start/pause-knappen for først at sætte opvaskemaskinen på pause. Når du lukker lågen og trykker på start/pause-knappen, fortsætter opvaskemaskinen med at køre efter 10 sekunder.

Hvis din opvaskemodell er udstyret med en huskefunktion, fortsætter den med programmet efter en evt. strømafbrydelse.

Glemte du af putte en tallerken i?

Det er altid muligt, at lægge en ekstra genstande i opvaskemaskinen inden opvaskemidlet frigives. Hvis dette er tilfældet, skal du følge instruktionerne herunder:

1. Tryk på start/pause-knappen.
2. Åbn lågen lidt, for at stoppe vasken.
3. Når sprøjtearmene ikke længere kører, kan du åbne lågen helt.
4. Tilføj de ekstra genstande.
5. Luk lågen.
6. Tryk på start/pause-knappen, og opvaskemaskinen starter efter 10 sekunder.



Når vasken er færdig

Når vasken er færdig, lyder summeren i 8 sekunder, hvorefter opvaskemaskinen stopper. Sluk for opvaskemaskinen på tænd/sluk-knappen, luk for vandforsyningen og åbn lågen til opvaskemaskinen. Vent et par minutter, før du tømmer opvaskemaskinen, så du ikke skolder dig. Tallerknerne og genstandene i opvaskemaskinen er stadig varme og kan nemt gå i stykker. De tørrer også bedre på denne måde.

⌘ Sluk opvaskemaskinen

1. Sluk opvaskemaskinen ved at trykke på tænd/sluk-knappen.
2. Sluk for vandhanen!

⌘ Åbn forsigtigt lågen

Varme tallerkner er følsomme over for slag. Tallerknerne skal have lov til at køle ned i cirka 15 minutter, før de tages ud af opvaskemaskinen.

Åbn lågen til opvaskemaskinen, lad den stå et par minutter, før du tager tallerknerne ud. På denne måde køler de ned, og de tørres bedre.

⌘ **Tømning af opvaskemaskinen**

Det er normalt, at opvaskemaskinen er våd indeni.

ADVARSEL

Det er farligt at åbne lågen midt under vasken, da det varme vand kan skolde dig.

Tvungen dræning

Når opvaskemaskinen er på standby, skal du holde "GLAS"-knappen + "ECO"-knappen nede i 3 sekunder, for at tømme vandtanken.

VEDLIGEHOLDELSE OG RENGØRING

Filtersystemet

ADVARSEL

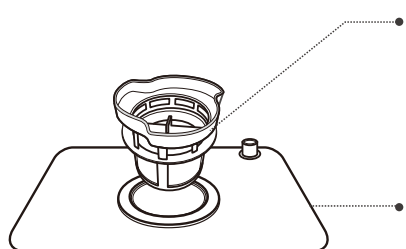
⌘ **Opvaskemaskinen må aldrig bruges uden filterne!**

⌘ **Sørg for, at filteret er sat ordentligt i.**

Ydeevnen kan påvirkes, og tallerkenerne og redskaberne kan blive beskadiget.

Filtret fjerner effektivt madpartikler fra vaskevandet, så det kan genbruges under vasken.

For at opnå den bedste ydelse og resultater skal filterenheden rengøres regelmæssigt. Af denne grund er det en god ide at fjerne større madrester, der sidder i filteret efter hver vask, ved at skylle filteret og bægeret under rindende vand. For at fjerne filterenheden, skal du trække kophåndtaget opad.



B. Finfilter

Dette filter holder jord- og madrester i pølområdet og gør, at de ikke sprøjtes på tallerkenerne under vasken.

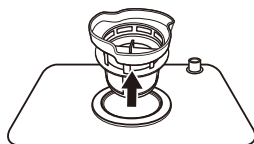
A. Hovedfilter

Mad- og jordpartikler, der er fanget i dette filter, pulveriseres med en særlige stråle på den nedre sprøjtearm, og skylles derved ned til afløbet.

Trin 1: Drej filterenheden mod uret, for at løsne den.



Trin 2: Træk det fine filter ud af hovedfilteret.



BEMÆRK:

Når du går fra trin 1 til trin 2, fjernes filtersystemet. Og hvis det gøres fra trin 2 til trin 1, sættes filtersystemet i.

Hele filterenheden skal rengøres en gang om ugen.

- ⌘ Kontroller filtre for blokeringer, hver gang opvaskemaskinen har været brugt.
- ⌘ Filtersystemet kan fjernes, ved at skrue ud det grove filter ud. Fjern madrester og rengør filtrene under rindende vand.

ADVARSEL

Når du rengør filtre, må du ikke banke på dem. Ellers kan filtrene forvrænges, hvilket kan reducere opvaskemaskinens ydeevne.

Pleje af opvaskemaskinen

Betjeningspanelet kan rengøres med en let fugtig klud. Efter rengøring, skal du sørge for at tørre det grundigt af. Til ydersiden skal du bruge en god poleringsvoks. Brug aldrig skarpe genstande, skurepuder eller hårde rengøringsmidler på nogen dele af opvaskemaskinen.

Rengøring af lågen

For at rengøre kanten omkring lågen, må du kun bruge en blød varm, fugtig klud. Brug ikke en sprayrens af nogen art for at undgå, at vand trænger ind i låsen på lågen og elektriske komponenter.

ADVARSEL

- ⌘ Brug aldrig en sprayrens til at rengøre lågepanelet, da det kan beskadige lågens lås og de elektriske dele.
- ⌘ Slibemidler og bestemte køkkenrul må ikke bruges, da de kan ridse eller efterlade pletter på overfladen af rustfrit stål.

Beskyttelse mod frysning

Tag foranstaltninger mod frostdannelse på opvaskemaskinen om vinteren. Gør følgende efter hver vask.

1. Afbryd strømmen til opvaskemaskinen.
2. Sluk for vandforsyningen, og afbryd vandindløbsrøret fra vandventilen.
3. Tøm vandet fra indløbsrøret og vandventilen (hæld vandet i en

spand eller gryde).

4. Sæt vandindløbsrøret på vandventilen igen.

5. Fjern filteret i bunden, og brug en svamp til at opsuge vand i pølen.

BEMÆRK:

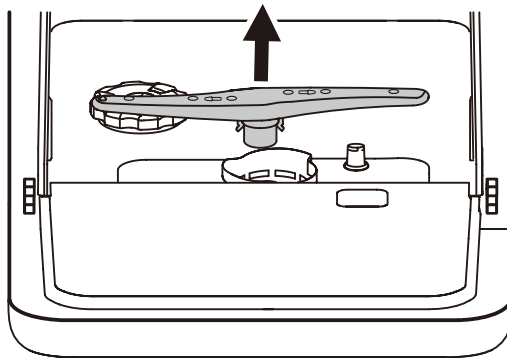
Hvis din opvaskemaskine ikke kan køre på grund af is, skal du kontakte en autoriseret serviceperson.

Driftstemperatur: Det anbefales at bruge dette produkt i et miljø over 0°C for at undgå frostskeer.

Rengøring af sprøjtearmene

Sprøjtearmene kan let fjernes til periodisk rengøring af dyserne, så det ikke tilstopper. Vask dem under rindende vand og sæt dem forsigtigt på igen. Kontroller, at de kan dreje uden forhindringer.

Tag fat i midten af sprøjtearmen, og træk den opad for at fjerne den. Vask armene under en stråle med rindende vand, og sæt dem forsigtigt på plads igen. Kontroller, at sprøjtearmene frit kan dreje, når de er sat på igen. Ellers skal du kontrollere, at de er sat korrekt på.



Sådan vedligeholdes din opvaskemaskine

Efter hver vask

Efter hver vask skal du slukke for vandforsyningen til opvaskemaskinen og lade lågen stå på klem, så fugt og lugt ikke fanges indeni.

Tag proppen ud

Før rengøring eller vedligeholdelse, skal du altid trække stikket ud af stikkontakten.

Brug ikke opløsningsmidler eller slibende rengøringsmidler

Brug ikke opløsningsmidler eller slibende rengøringsmidler til rengøring af udvendige dele og gummidelene på opvaskemaskinen. Brug kun en klud med varmt sæbevand.

For at fjerne pletter på indersiden, skal du bruge en klud, der er fugtet med vand, lidt eddike eller et rengøringsprodukt, der er beregnet til opvaskemaskiner.

Hvis produktet ikke skal bruges i længere tid

Det anbefales, at du kører en vask med opvaskemaskinen tom og derefter trækker stikket ud af stikkontakten, slukker for vandforsyningen og lader lågen til opvaskemaskinen stå på klem. På denne måde holder lågens pakning længere, og det gør at der ikke dannes lugt i opvaskemaskinen.

Flytning af opvaskemaskinen

Hvis opvaskemaskinen skal flyttes, skal du prøve at holde den lodret. Hvis det er absolut nødvendigt, kan det placeres på ryggen.

MONTERING

ADVARSEL



Risiko for elektrisk stød

Afbryd strømmen inden installation af opvaskemaskine. Hvis du ikke gør dette, kan det være livsfarligt eller føre til elektrisk stød.

Vigtigt

Installation af rør og elektrisk udstyr skal gøres af fagfolk.

Forberedelse før montering

Opvaskemaskine skal placeres i nærheden af ind- og udløbsslangerne og stikkontakten.

Den ene side af skabets vask skal vælges for, at gøre det lettere at tilslutte opvaskemaskinens afløbsslanger.

Placering af opvaskemaskinen

Placer opvaskemaskinen på det ønskede sted. Ryggen skal hvile mod væggen bag apparatet og siderne langs siderne på skabet eller væggen. Opvaskemaskinen er udstyret med vandforsynings- og afløbsslanger, der kan placeres enten til højre eller venstre side, for at gøre installationen nemmere.

Om strømtilslutning

ADVARSEL

Af hensyn til din personlige sikkerhed:

- ⌘ Brug ikke forlængerledninger eller stikdåser med denne opvaskemaskine.
- ⌘ Jordforbindelsen på ledningen må under ingen omstændigheder skæres af eller fjernes.

Elektriske krav

Se den nominelle spænding på typeskiltet, og tilslut opvaskemaskinen til den passende strømforsyning. Brug den påkrævede sikring på 10 amp. Det anbefales at bruge en sikring eller en afbryder, eller brug et separat kredsløb, der kun bruges til dette apparat.

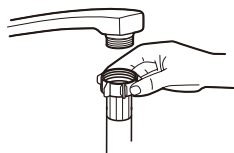
Elektrisk tilslutning

Sørg for, at strømspændingen og strømfrekvensen svarer til den, der står på typeskiltet. Sæt kun stikket i en stikkontakt, der er ordentligt jordforbundet. Hvis stikkontakten, som apparatet skal tilsluttes, ikke passer til stikket, skal du skifte stikkontakten. Brug ikke en adapter eller lignende, da de kan forårsage overophedning og brand.

⚠ Sørg for, at apparatet er ordentligt jordforbundet inden brug

Vandtilslutning

Skrue slangen til kold vand på 3/4" gevindet, og sørg for, at den er ordentligt fastgjort. Hvis vandrørene er nye eller ikke har været brugt i en længere tid, skal du lade vandet løbe for at sikre, at vandet er rent og fri for urenheder. Hvis dette ikke gøres, er der en risiko for, at vandindløbet blokeres og opvaskemaskinen beskadiges.

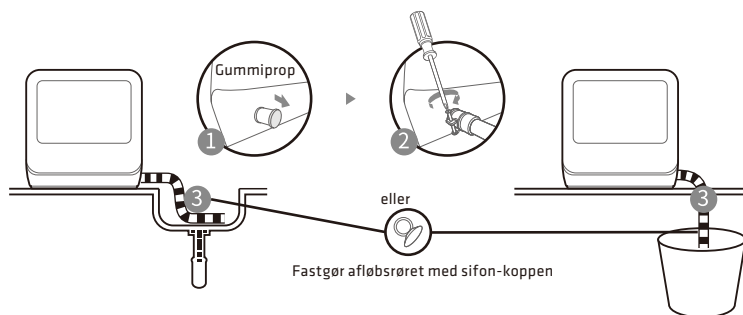


BEMÆRK:

Hvis den medfølgende slange ikke passer til dit tryk, skal du kontakte dit lokale VVS-forsyningscenter, hvor adaptere kan købes.

Tilslutning af afløbsslanger

Fastgør afløbsslangen på røret på bagsiden af opvaskemaskinen. Grænsefladen er udstyret med klemmer og strammes med en skruetrækker.



Tilslutningen af afløbsrøret: Sæt enden af afløbsrøret i en vask eller en spand.

Sådan tømmes overskydende vand i slangerne

Hvis vasken er 1000 mm over gulvet, kan overskydende vand i slanger ikke drænes direkte ned i vasken. Det vil være nødvendigt at tømme overskydende vand i slangerne ned i en skål eller en passende beholder, der holdes uden for og lavere end vasken.

Vandudløb

Tilslut vandafløbsslangen. Afløbsslangen skal være korrekt monteret for, at undgå vandlækager. Sørg for, at vandafløbsslangen ikke trykkes eller klemmes.

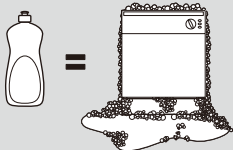
Forlængerlange

Hvis du skal bruge en forlænger afløbsslange, skal du sørge for at bruge en lignende afløbsslangen. Den må ikke være over 4 meter, da dette kan reducere opvaskemaskinens rengøringseffekt.

TIPS TIL FEJLFINDING

Før du kontakter kundeservice vedrørende reparation

Hvis du gennemgår diagrammerne på følgende sider, kan det spare dig for, at ringe til en serviceudbyder.

Problem	Mulig årsag	Løsningsforslag
Opvaskemaskine starter ikke	Sikringen er gået eller afbryder er udløst.	Skift sikringen eller nulstil afbryderen. Afbryd alle andre apparater, der bruger det samme kredsløb som opvaskemaskinen.
	Der er ikke tændt for strømforsyningen.	Sørg for, at opvaskemaskinen er tændt, og at lågen er ordentligt lukket. Sørg for, at stikket sidder ordentligt i stikkontakten på væggen.
	Unormalt vandindstrømning. Vandtrykket er lavt.	Kontroller, at vandforsyningen er tilsluttet korrekt, og at der er åbnet for vandet.
	Lågen til opvaskemaskinen er ikke ordentligt lukket.	Sørg for at lukke og låse lågen.
Vand pumpes ikke fra opvaskemaskinen	Vand pumpes ikke fra opvaskemaskinen.	Kontroller afløbsslangen.
	Filteret er tilstoppet.	Kontroller det grove filter.
	Køkkenvasken er tilstoppet.	Kontroller køkkenvasken, og sørg for at afløbet ikke er tilstoppet. Hvis problemet er køkkenvasken, der ikke tømmes, skal du muligvis kontakte en blikkenslager i stedet for en servicemand til opvaskemaskiner.
Sæbeskum i opvaskemaskinen	Forkert vaskemiddel. 	Brug kun opvaskemiddel, der er beregnet til maskinen, for at undgå skum. Hvis der findes skum i opvaskemaskinen. Åbn lågen i 20-30 minutter, så skummet kan fordampe. Hvis skummet stadig findes i foringen. Tilføj 1,5 liter vand til foringen, luk lågen og køør en tvungen dræning, for at dræne vandet. Gentag denne handling, indtil skummet er fjernet.
	Spildt skyllemiddel.	Tør altid spildt skyllemiddel af øjeblikkeligt.
Opvaskemaskinen er farvet indvendig	Der er muligvis brugt vaskemiddel med farvestof.	Sørg for, der ikke er nogen farvestoffer i vaskemidlet.

Problem	Mulig årsag	Løsningsforslag
Hvid film på undersiden	Mineraler fra hårdt vand.	For at rengøre indvendigt, skal du bruge en fugtig svamp med opvaskemiddel og brug gummihandsker. Brug aldrig andet rengøringsmiddel end opvaskemiddel til opvaskemaskinen, da dette kan føre til skumdannelse eller skum.
Der er rustpletter på bestikket	De berørte genstande er ikke korrosionsbestandige.	Undgå at vaske genstande, der ikke er korrosionsbestandige i opvaskemaskinen.
	Et program blev ikke kørt, efter opvaskemaskinesaltet blev tilsat. Spor af salt er trængt ind i vaskeprocessen.	Kør altid et vaskeprogram uden noget i opvaskemaskinen efter tilsætning af salt. Vælg ikke med turbo-funktionen (hvis apparatet er udstyret med en).
	Låget på blødgøringsenheden er løst.	Kontroller, at låget sidder ordentligt på blødgøringsenheden.
Bankende støj i opvaskemaskinen	En sprøjtearm banker på en genstand i en kurv.	Afbryd programmet, og omarranger genstanden, der er i vejen for sprøjtearmen.
Raslende støj i opvaskemaskinen	Porcelæn sidder løst i opvaskemaskinen.	Afbryd programmet, og omarranger porcelænet.
Slaglyde i vandrørende	Dette kan være forårsaget af installationen på stedet eller rørets tværsnit.	Dette har ingen indflydelse på opvaskemaskinens funktion. Hvis du er i tvivl, bedes du kontakte en kvalificeret blikkenslager.
Tallerkerne er ikke rene	Tallerkerne er ikke lagt rigtigt i opvaskemaskinen.	Se oplysninger i afsnittet "Opfyldning og tømning af opvaskemaskinen".
	Programmet var ikke kraftigt nok.	Vælg et kraftigere program.
	Der blev ikke brugt nok vaskemiddel.	Brug mere vaskemiddel, eller skift dit vaskemiddel.
	Der er dele, der er i vejen for sprøjtearmene.	Omarranger delene, så sprøjtearmene frit kan dreje rundt.
	Filtersamlingen er ikke ren eller er den er ikke sat rigtigt i på bundet af opvaskemaskinen. Dette kan gøre, at dyserne på sprøjtearmen tilstoppes.	Rengør og/eller sæt filteret rigtigt i. Rengør dyserne på sprøjtearmen.

Problem	Mulig årsag	Løsningsforslag
Hvide pletter på glas.	Kombination af blødt vand og for meget vaskemiddel.	Brug mindre vaskemiddel, hvis du har blødt vand, og vælg en kortere vask, når du vasker glas og for at få dem mere rene.
Hvide pletter på tallerkener og glas.	Områder med hårdt vand kan forårsage kalkaflejringer.	Tilføj mere vaskemiddel.
Sorte eller grå mærker på tallerkener	Aluminiumsredskaber har gnidet sig op ad tallerkenerne.	Brug en mild slibemiddel til, at fjerne disse mærker.
Der er vaskemiddel tilbage i beholderen	Der er tallerkener i vejen for beholderen med vaskemidlet.	Læg tallerkenerne i igen, så de sidder rigtigt.
Tallerkerne er ikke tørrer.	De er lagt forkert i	Læg tingene i opvaskemaskinen i henhold til instruktionerne.
	Tallerkenerne er tage for tidligt ud.	Tøm ikke opvaskemaskinen umiddelbart efter vask. Åbn lidt lidt, så dampen kan slippe ud. Tag tallerkenerne ud, indtil den indvendige temperatur er lav nok til, at røre opvaskemaskinen. Tøm først den nedre kurv, for at undgå vand fra den øvre kurv.
	Det forkerte program er valgt.	Med et kort program er vasketemperaturen lavere, hvilket reducerer rengøringsydelsen. Vælg et program med en længere vasketid.
	Brug af bestik med en belægning af lav kvalitet.	Det er sværere for vandet at løbe ud med disse genstande. Bestik eller tallerkener af denne type er ikke egnede til vask i opvaskemaskinen.

Fejlsignaler

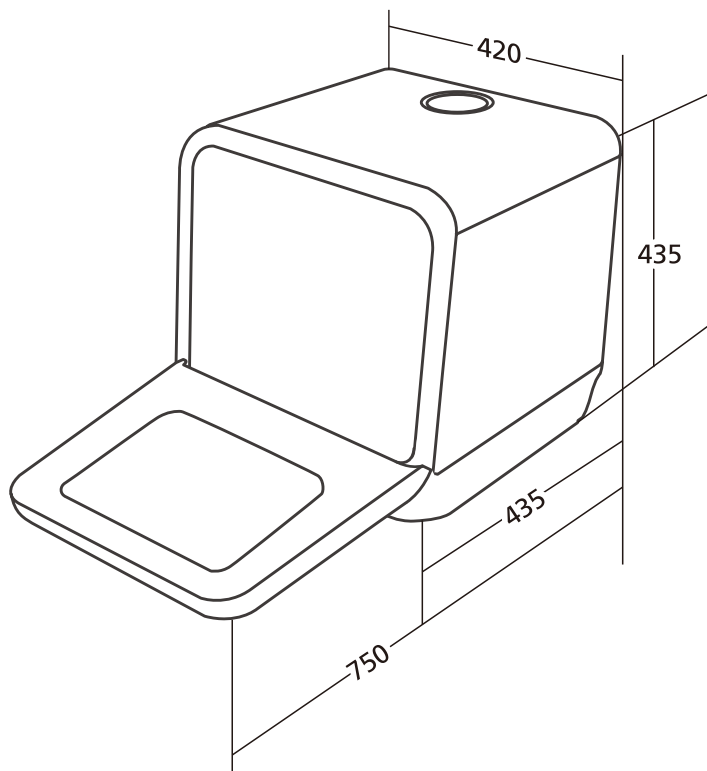
Hvis der opstår nogle funktionsfejl, viser opvaskemaskinen et signal, for at advare dig:

Signaler	Betydning	Mulig årsag
E1	Længere indløbstid.	En strømmåler, drænventil eller pumpefejl, som skal repareres af en kvalificeret fagperson.

E3	Den påkrævede temperatur nås ikke.	Hvis opvarmningsrør eller termistor beskadiges, skal de repareres af en kvalificeret fagperson.
E4	Overløb.	Nogle dele på opvaskemaskinen lækker.
E9	Klister på touch-knappen	Vand eller andet materiale omkring knapperne gør dette, eller det skal repareres af en kvalificeret fagperson.
Ed	Kommunikationsfejl	Den skal repareres af en kvalificeret fagperson.
EA	Fejl på dampgeneratoren	Den skal repareres af en kvalificeret fagperson.

- ⌘ Hvis vandet løber over, skal du slukke for hovedvandforsyningen, før du beder om service.
- ⌘ Hvis der er vand i bunden af opvaskemaskinen på grund af en overfyldning eller en lille lækage, skal vandet fjernes, inden opvaskemaskinen startes igen.

TEKNISKE OPLYSNINGER



Højde	435 mm
Bredde	420 mm
Dybde	435 mm
Spænding tilsluttet belastning	se typeskiltet
Vandtryk	0,04 - 1,0 MPa
Strømforsyning	se typeskiltet
Kapacitet	Indstillinger for 2 standard kuverter

Produktoplysningsark (En60436)

Leverandørens navn eller varemærke:				
Leverandørens adresse:				
Modelidentifikation: PTDW1				
Generelle produktparametre:				
Parameter	Værdi	Parameter	Værdi	
Nominel kapacitet (°) (stk.)	2	Mål i cm	Højde	43,5
			Bredde	42,0
			Dybde	43,5
EEI (°)	62,9	Energieffektivitetsklasse (°)	G (°)	
Vask-ydelsesindeks (°)	1,13	Tørringsydelsesindeks (°)	0,86	
Energiforbrug i kWh [per vask], baseret på energispareprogrammet med koldt vand. Det faktiske energiforbrug afhænger af, hvordan produktet bruges.	0,396	Vandforbrug i liter [per vask], baseret på energispareprogrammet. Det faktiske vandforbrug afhænger af, hvordan produktet bruges og vandets hårdhed.	5,0	
Programvarighed (°) (t:min)	2:40	Type	Frit stående	
Luftbårne akustiske støjemissioner (°) (dB (A) er 1 pW)	58	Luftbåren akustisk støjemissionsklasse (°)	D (°)	
Slukket (W)	0,49	Standby (W)	Bruges ikke	
Udskudt start (W) (hvis relevant)	1,00	Netværksstandby (W) (hvis relevant)	Bruges ikke	
Korteste garanti, der tilbydes af leverandøren (°):				
Yderligere oplysninger:				
Weblink til leverandørens websted, hvor oplysningerne i punkt 6 i bilag II til Kommissionens forordning (EU) 2019/2022 (1) (°) findes:				
(a) blinker hurtigt.				
(b) ændringer af disse punkter betragtes ikke som relevante med henblik på artikel 4, stk. 4, i forordning (EU) 2017/1369.				
(c) hvis produkt databasen automatisk genererer det endelige indhold af denne celle, skal leverandøren ikke indtaste disse data.				
(1) Kommissionens forordning (EU) 2019/2022 fra d. 1. oktober 2019 om krav til miljødeseign af opvaskemaskiner til husholdningsbrug i henhold til Europa-Parlamentets og Rådets direktiv 2009/125/EF om ændring af Kommissionens forordning (EF) nr. 1275/2008 og om ophævelse af Kommissionens forordning (EU) nr. 1016/2010 (se side 267 i denne udgivelse).				

SPECIFIKATIONER

Model: PTDW1

Nominal spænding: AC220-240V 50Hz

Strømforbrug: 730-860W



■
Dette symbol på produktet eller i vejledningen betyder, at det udtjente elektriske eller elektroniske udstyr ikke må bortskaffes sammen med husholdningsaffald. I EU-lande findes der separate genbrugsordninger. Kontakt de lokale myndigheder eller forhandleren for yderligere oplysninger.

Power International AS,
PO Box 523, N-1471 Lørenskog, Norway

Power Norge:
<https://www.power.no/kundeservice/>
T: 21 00 40 00

Power Danmark:
<https://www.power.dk/kundeservice/>
T: 70 33 80 80

Punkt 1 Danmark:
<https://www.punkt1.dk/kundeservice/>
T: 70 70 17 07

Power Finland:
<https://www.power.fi/tuki/asiakaspalvelu/>
T: 0305 0305

Power Sverige:
<https://www.power.se/kundservice/>
T: 08 517 66 000

VIKTIGA SÄKERHETSINSTRUKTIONER

VARNING

Följ nedanstående försiktighetsåtgärder när du använder diskmaskinen:

- Denna maskin är avsedd för hushållsbruk och liknande användningsområden som:
 - personalkök i butiker, på kontor och andra arbetsplatser,
 - mangårdsbyggnader,
 - av kunder på hotell, motell och andra typer av boendemiljöer,
 - miljöer för uthyrning av rum inklusive frukost.
- Denna apparat får användas av barn från 8 år och uppåt och personer med nedsatt fysisk, sensorisk eller mental förmåga eller av personer som saknar erfarenhet och kunskap om det sker under uppsyn eller om de får anvisningar om hur man använder apparaten på ett säkert sätt och är medveten om riskerna. Barn får inte leka med apparaten. Rengöring och underhåll bör inte utföras av barn utan tillsyn. (För EN60335-1)
- Denna apparat är inte avsedd att användas av personer (inklusive barn) med nedsatt fysisk eller mental förmåga eller brist på erfarenhet och kunskap såvida de inte har överinseende eller fått instruktioner om användning av apparaten, av en person som ansvarar för deras säkerhet. (För IEC60335-1)
- Den här maskinen är endast avsedd för hushållsbruk inomhus.

- För att skydda mot risken för elektriska stötar ska maskinen, elkabeln eller kontakten inte sänkas i i vatten eller annan vätska.
- Dra ut kontakten innan du rengör eller utför underhåll på maskinen.
- Använd en mjuk trasa som fuktats i mildt diskmedel och eftertorka med en torr trasa.

Jordningsanvisningar

- Denna apparat måste jordas. Om det uppstår fel eller maskinen går sönder minskar jordningen risken för elektriska stötar genom att leda elektriciteten på en väg av minimal resistens. Denna maskin är utrustad med en elkabel med en jordledning och en jordad kontakt.
- Kontakten måste sättas i ett lämpligt installerat och jordat uttag i enlighet med lokala regler och föreskrifter.
- Modifiera inte maskinens kontakt om den inte passar i elutaget. Låt en kvalificerad elektriker installera ett korrekt eluttag.
- Felaktig anslutning av maskinens jordade kontakt kan leda till risk för elektriska stötar. Kontrollera med en kvalificerad elektriker eller servicerepresentant om du är tveksam om maskinen är rätt jordad.

Allmän användning

- Missbruka, stå eller sitt inte på diskmaskinens lucka eller diskorg.
- Använd inte maskinen om inte alla sidor är ordentligt på plats.

- Öppna luckan mycket försiktigt om diskmaskinen är igång, eftersom det finns risk att vatten stänker ut.
- Placera inga tunga föremål på eller stå på luckan när den är öppen. Maskinen kan tippa framåt.
- Hur man fyller diskmaskinen:
 - Placera vassa föremål så att de inte kan skada luckan tätning.
 - **Varning:** Knivar och andra redskap med vassa spetsar måste placeras i korgen med spetsarna vända nedåt eller liggande.
- Kontrollera att diskmedelsfacket är tomt efter varje disk.
- Diska inte plastföremål om de saknar "diskmaskinssäker" märkning eller liknande. För omärkta plastföremål, kontrollera tillverkarens rekommendationer.
- Använd enbart diskmedel som är avsedda för en automatisk diskmaskin.
- Använd aldrig tvål, tvättmedel eller handdiskmedel i diskmaskinen.
- Barn bör hållas under uppsikt så att de inte leker med apparaten.
- Luckan ska inte lämnas öppen, eftersom de kan öka risken för att maskinen tippas.
- Om strömssladden är skadad måste den bytas ut av tillverkaren, dess servicerepresentant eller av motsvarande kvalificerad person för att undvika fara.
- Under installation får elkabeln inte vara överdrivet eller farligt böjd eller tillplattad.
- Manipulera inte reglagen.

- Maskinen ska anslutas till vattenledningen med en slangsat, och gamla slangsatser ska inte återanvändas.
- Högsta tillåtna tryck på ingående vatten är 1 MPa.
- Minsta tillåtna tryck på ingående vatten är 0,04 MPa.

Kassering

- Vänd dig till en återvinningsstation för att kassera förpackningen och maskinen. Klipp av elkabeln och gör stängningsmekanismen på luckan oanvändbar.
- Kartongförpackningen är tillverkad av återvunnet papper och ska kasseras som pappersavfall för återvinning.
- Genom att garantera att produkten kasseras rätt, bidrar du till att förhindra negativa konsekvenser för miljön och människors hälsa, som annars kan orsakas genom felaktig avfallshantering av produkten.
- För mer detaljerad information om återvinning av produkten, kontakta din kommun eller avfallshanteringskontor.
- **KASSERING:** Släng inte produkten som osorterade kommunala sopor. Insamling av sådant avfall sker separat eftersom den kräver en särskild behandling.

SNABBRUKSANVISNING

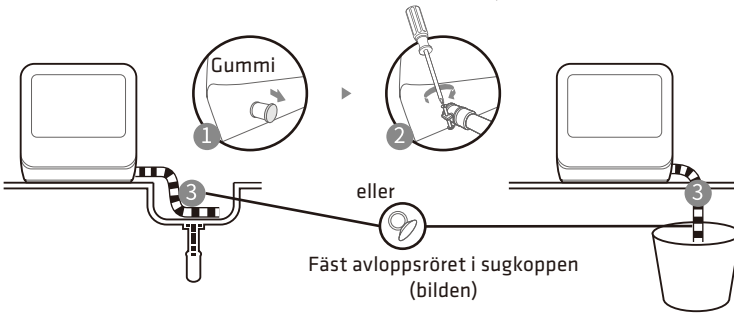
Läs tillhörande innehåll i bruksanvisningen för detaljerade anvisningar.

Anslut till ett eluttag

Strömstyrkan är 220-240 VAC 50 Hz

Specifikationen för eluttaget är 10 A 250 VAC

Ansluta avloppsslangen: Läggs slangens ände i en vask eller hink. Fäst avloppsslangen i röret på maskinens baksida. Gränssnittet fästs med klämmor och dras åt med en skruvmejsel.



Hälla vatten i diskmaskinens tank

Obs: Innan du häller i vatten måste du trycka på strömbrytaren för att starta diskmaskinen.

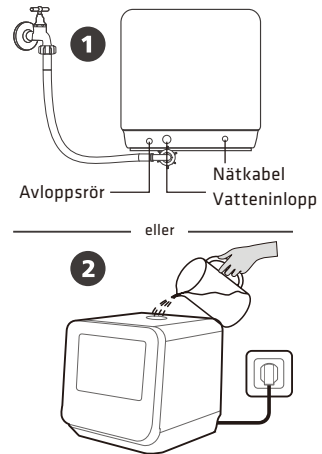
Det finns två sätt att fylla på vatten i tanken:

1. Anslut inloppsslangen till kranen.
2. Öppna locket och häll vatten i diskmaskinens tank manuellt.

När tanken är fylld med vatten hörs en ljudsignal från diskmaskinen i 3 sekunder.

Ta bort stora matrester

Ta bort stora matrester innan du sätter in disken.

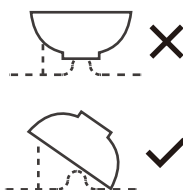
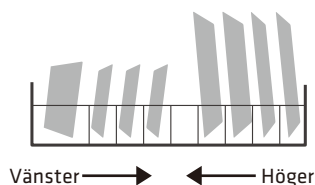




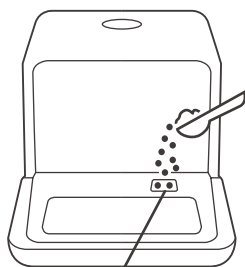
Öppna luckan, sätta in disken och tillsätta diskmedel

Placera disken i storleksordning och från de två sidorna mot mitten. Alla disk ska ställas lutande för bättre diskresultat.

Spolarmen blockeras om disken placeras felaktigt, och det påverkar diskresultatet.

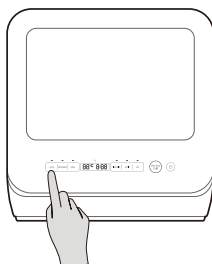
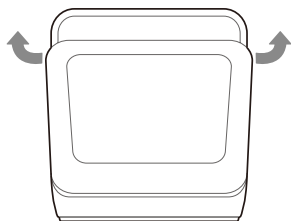


Ställ inte disken i fel läge eftersom det kan påverka diskresultatet. Försök att ställa disken så att den smutsiga ytan är nedåtvänd mot spolarmen.



Lägg diskmedel här.

Stänga luckan, välja program och starta diskmaskinen

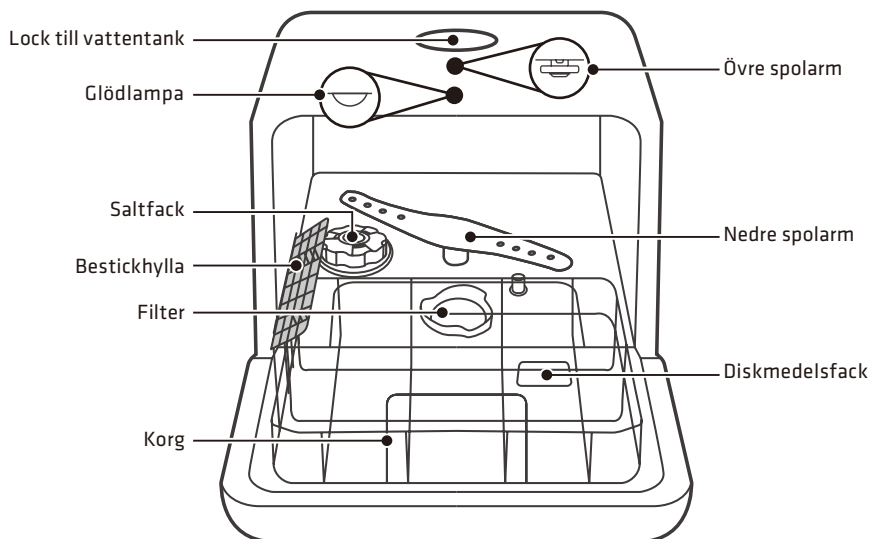


LÄR KÄNNA DIN DISKMASKIN

VIKTIGT!

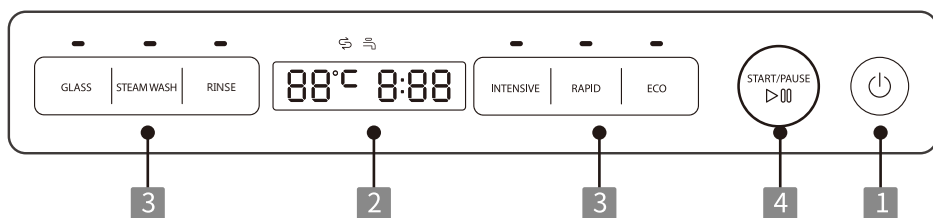
Läs bruksanvisningen innan du använder diskmaskinen första gången och för att få bästa resultat.


Diskmaskinens funktioner



Vattenkanna

Kontrollpanel



1	Effekt	Strömbrytare
2	Skärm	<p>När man väljer ett program så visas programmets högsta temperatur och längden på programmet. När programmet startar visas den aktuella vattentemperaturen och hur mycket tid som återstår av programmet.</p> <p> Indikator för otillräcklig vattennivå</p>
3	Program	<p>Välj en lämpligt diskprogram, och motsvarande indikator tänds.</p> <p>Glas För lätt smutsad disk och glas.</p> <p>Ångdisk Med bästa diskresultat. Ånga med hög temperatur bildas under de första 5 minuterna för att mjuka upp fläckar och döda bakterier.</p> <p>SKÖLJ Att skölja disk som du planerar att tvätta senare samma dag, och även lämplig för att skölja frukt.</p> <p>Intensiv För disk med fettfläckar och hårt smutsade matlagingsredskap och porslins.</p> <p>Snabb För lätt smutsad disk krävs relativt kort disktid.</p> <p>ECO För normalt smutsad disk och redskap (som skålar, tallrikar, glas, kastruller).</p>
4	Start/Paus	För att starta eller pausa diskmaskinens diskprocess.

ANVÄNDA DISKMASKINEN

OBS:

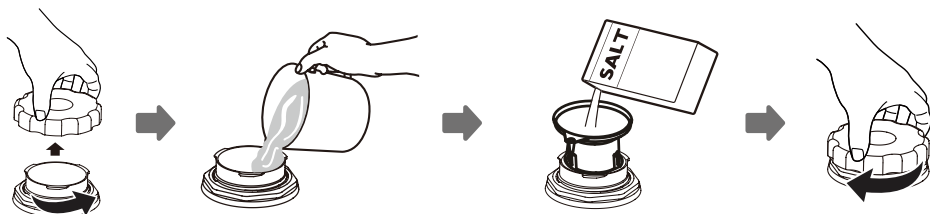
Om din modell saknar avhjärdare kan du hoppa över detta avsnitt.

Fylla på salt i avhjärdaren

Använd alltid salt som är avsett för diskmaskin. Saltbehållaren finns under korgen och ska fyllas på följande sätt:

VARNING

- ⌘ Använd alltid salt som är specielltillverkat för diskmaskin! Alla andra typer av salt som inte är tillverkade specifikt för användning i diskmaskin, i synnerhet bordssalt, kommer att skada avhjärdaren. Tillverkarens garanti gäller inte om det uppstår skador till följd av att man använt olämpligt salt, och tillverkaren är heller inte ansvarig för följdskadorna.
- ⌘ Fyll bara på salt innan du kör ett diskprogram. Detta kommer att hindra att saltkorn och saltvatten, som kan ha spillts ut, blir kvar på botten av diskmaskinen ett tag, vilket kan orsaka korrosion.



- A. Ta ut korgen och skruva av och ta bort locket till saltbehållaren.
- B. Häll 1 liter vatten i saltbehållaren före första användningen.
- C. Sätt ner tratten (utesluten) i hålet och häll i ungefär 0,13 kg salt. Det är normalt att det kommer ut lite vatten ur saltbehållaren.
- D. Skruva på locket ordentligt medurs när behållaren har fyllts.
- E. Saltvarningslampan slutar vanligtvis blinka inom 2-6 dagar efter att saltbehållaren har fyllts med salt.
- F. Starta ett diskprogram (vi föreslår ett snabbprogram) direkt efter att saltbehållaren har fyllts på med salt. I annat fall kan filtersystemet, pumpen eller andra viktiga delar skadas av saltvatten. Detta täcks inte av garantin.

OBS:

- ⌘ Saltbehållaren får bara fyllas på när saltvarningslampan i kontrollpanelen tänds. Saltvarningslampan kan fortsätta att vara tänd även efter att saltbehållaren har fyllts på, vilket beror på hur väl saltet löses upp.
- ⌘ Om det inte finns någon saltvarningslampa på kontrollpanelen (för vissa modeller), kan du beräkna när det är dags att fylla salt i avhårdaren beroende på hur många diskprogram som diskmaskinen har kört.

Justera saltförbrukningen

Följ nedanstående steg för att justera saltförbrukningen.

Steg 1: Ställ in saltjusteringsstatusen

Stäng luckan, håll GLAS-knappen intryckt i 5 sekunder, inom 60 sekunder efter start öppnar diskmaskinen inställningsläget.

Steg 2: Välj en saltförbrukningsnivå

Tryck på Glas-knappen för att välja rätt inställning beroende på dina lokala förhållanden, inställningen ändras till följande sekvens: H1->H2->H3->H4->H5->H6.

Steg 3: Avsluta saltjusteringsstatusen

Utan aktivitet inom fem sekunder, kommer diskmaskinen att avsluta det inställda läget, och diskmaskinen övergår till vänteläge.

Det finns totalt 6 saltförbrukningsnivåer. Man bör välja nivå enligt nedanstående tabell:

AVATTENHÅRDHET		Ställa in avhårdaren
°dH ¹⁾	Mmol/l ²⁾	
0-5	0-0,94	H1
6-11	1,0-2,0	H2
12-17	2,1-3,0	H3 ³⁾
18-22	3,1-4,0	H4
23-34	4,1-6,0	H5
35-55	6,1-9,8	H6

- 1) Tyska hårdhetsgrader
- 2) Millimol, internationell enhet för vattenhårdhet
- 3) fabriksinställning

Kontakta din lokala vattenleverantör, som kan informera dig om vattnets hårdhet där du bor.

Fylla diskmaskinskorgarna

Rekommendation

- ⌘ Tänk på att skaffa redskap som är diskmaskinssäkra.
- ⌘ Använd ett mildt diskmedel, som beskrivs som "typ av disk". Sök vid behov mer information från diskmedelstillverkarna.
- ⌘ För speciella föremål, välj ett program med lägsta möjliga temperatur.
- ⌘ För att förhindra skador, ta inte ut glasservis ur diskmaskinen direkt efter att programmet har slutat.

Lämpligt för användning i diskmaskinen

Inte lämpligt för användning:

- ⌘ Bestick med handtag av trä, horn, porslin eller pärlemor
- ⌘ Plastföremål som inte är värmetåliga
- ⌘ Äldre bestick med limmade delar som inte är värmetåliga
- ⌘ Hopfogade bestick eller fat
- ⌘ Tenn- eller kopparföremål
- ⌘ Kristallglas
- ⌘ Stålföremål som kan rosta
- ⌘ Träföremål
- ⌘ Föremål tillverkade av syntetfibrer

Begränsad lämplighet:

- ⌘ Vissa typer av glas kan bli matta efter många diskar.
- ⌘ Delar av silver och aluminium har en tendens att missfärgas under diskning.
- ⌘ Glaserade mönster kan blekas om de diskas ofta.

Uppmärksamhet innan och efter att diskmaskinens korgar har fyllts och plockats ur

(För bästa resultat från diskmaskinen, följ dessa riktlinjer för att fylla maskinen. Bestickkorgarnas funktioner och utseende kan variera mellan olika modeller.)

Skrapa av större matrester. Blötlägg fastbrända matrester i kastruller. Det är inte nödvändigt att skölja disken under rinnande vatten. Placera föremålen i diskmaskinen på följande sätt:

- ⌘ Föremål som koppar, glas kastruller/stekjärn osv. vända nedåt.
- ⌘ Kurviga föremål eller med skrymslen, ska placeras i en vinkel så att vatten kan rinna av.
- ⌘ Alla redskap placeras säkert så att de inte kan välta
- ⌘ Alla redskap placeras så att spolarmarna kan snurra fritt under diskningen.

OBS:

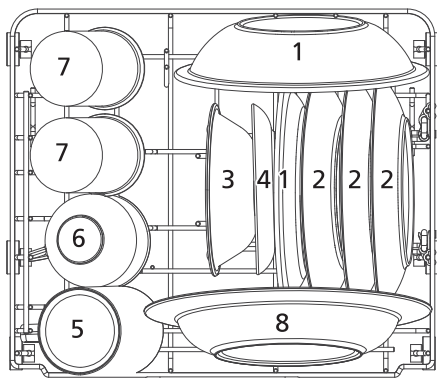
Mycket små föremål ska inte diskas i diskmaskinen eftersom de lätt kan falla ur korgen.

- ⌘ Placera håliga föremål som koppar, glas, kastruller osv. med öppningen nedåt, så att vatten inte samlas inuti dem.
- ⌘ Fat och bestickföremål ska inte ligga i varandra eller täcka över varandra.
- ⌘ För att undvika skador på glas, ta inte på dem.
- ⌘ Knivar med långa blad som förvaras stående är en potentiell risk!
- ⌘ Långa och/eller vassa bestick som förskärare, måste läggas horisontellt i korgen.
- ⌘ Överfyll inte diskmaskinen. Detta är viktigt för att få bra resultat och för måttlig energiförbrukning.

• Fylla korgarna enligt EN60436

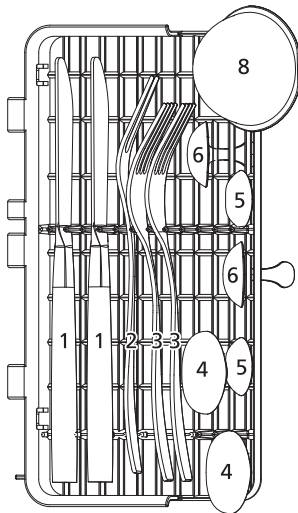
Fylla korgen

Placera disken och kokkärlden så att de inte rör sig av vattenstrålen.



Siffr	Artikel
1	Desserttallrik av melamin
2	Desserttallrik
3	Dessertskål
4	Te-/kaffefat
5	Mugg
6	Kopp
7	Glas
8	Djup tallrik

Fylla bestickkorgen



Siffr	Artikel
1	Kniv
2	Serveringsgaffel
3	Gaffel
4	Soppsked
5	Tesked
6	Dessertsked
7	Serveringsgaffel
8	Såssked

För personlig säkerhet och bästa diskresultat ska bordssilver placeras i korgen på följande sätt:

- De inte trasslar ihop sig.
- Placera matsilver med skaften nedåt.
- Placera knivarna och andra potentiellt farliga redskap med handtagen uppåt.

Fylla dispensern

Spolglansen släpps ut under den sista sköljningen för att hindra vattnet från att bilda droppar på disk och redskap, vilket kan lämna fläckar och streck.

VARNING

⌘ **Använd enbart maskindiskmedel.** Använd aldrig annan spolglans eller diskmedel. Det kommer att skada diskmaskinen.

⌘  **Maskindiskmedel är frätande! Förvara maskindiskmedel utom räckhåll för barn.**

Koncentrerat diskmedel

Baserat på deras kemiska sammansättning, kan diskmedlen delas upp i två grundtyper:

⌘ Vanliga alkaliska diskmedel med frätande beståndsdelar.

⌘ Koncentrerat lågalkaliskt maskindiskmedel med naturliga enzymer.

Genom att använda normalt diskprogram i kombination med koncentrerat diskmedel minskas föroreningar och är bra för disken.

Diskmedelstabletter

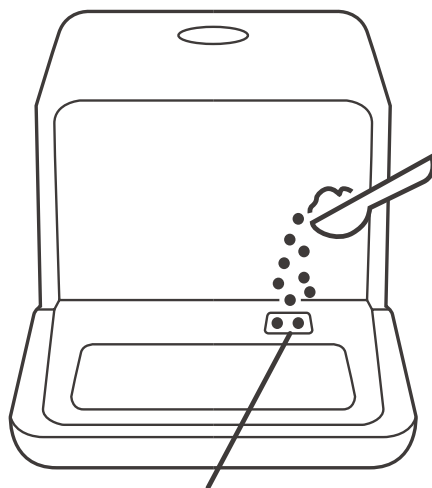
Diskmedelstabletter av olika märken löses upp olika snabbt. Därför kan vissa diskmedelstabletter inte lösas upp och utveckla sin fulla rengöringspotential under korta program. Använd därför långa program när du använder diskmedelstabletter för att vara säker på att

få bort diskmedelsresterna.

Diskmedel

Diskmedlet måste fyllas på innan man startar respektive program genom att följa anvisningarna i Diskprogramtabellen. Diskmaskinen använder mindre diskmedel än en vanlig diskmaskin. Normalt krävs bara en matsked diskmedel för en normalfylld maskin. Smutsigare disk kräver mer diskmedel. Tillsätt alltid diskmedlet precis innan du startar diskmaskinen, för att det inte ska bli fuktigt och inte kan lösas upp som det ska.

Tillsätta diskmedel



Plats för diskmedel

PROGRAMMERA DISKMASKINEN

Diskprogramtabell

Tabellen nedan visar vilka program som är bäst för mängden matrester på disken och hur mycket diskmedel som behövs. Den visar också olika information om programmen.

Program	Beskrivning av program	Diskmedel	Tid (min)	Energi (kWh)	Vatten (L)
Glas	Disk (50°C) Skölj Skölj (65°C) Torkning	10g	85	0,400	5,0
Ångdisk	Disk (69°C) Skölj Skölj (70°C) Torkning	10g	125	0,500	5,0
SKÖLJ	/	/	6	0,010	5,0
Intensiv	Disk (62 °C) Skölj Skölj (70 °C) Torkning	10g	160	0,500	5,0
Snabb	Disk (50°C) Skölj Skölj (60°C)	10g	29	0,350	5,0
ECO (*EN 60436)	Disk (50°C) Skölj Skölj (72°C) Torkning	10g	160	0,396	5,0

OBS:

EN 60436: Detta program är ett testprogram. Informationen för jämförande test i enlighet med EN60436.

Starta maskinen

Starta ett diskprogram...

Dra ut korgen (se avsnittet "Fylla diskmaskinen").

Häll i diskmedlet (se avsnittet "Fylla på diskmedlet").

Sätt i kontakten i eluttaget. Strömstyrkan är 220-240 VAC 50 Hz, specifikationen för uttaget är 10 A 250 VAC.

Tryck på strömbrytaren för att starta diskmaskinen.

Anslut intagsslangen till kranen och se till att vattentillförseln är på maximalt tryck eller tillsätt vatten i tanken manuellt.

Välj ett program i "Diskprogramtabellen".

Om du har valt ett program så tänds motsvarande lampa. Tryck därefter på Start/Paus-knappen så startar diskmaskinen.

OBS:

När du trycker på Start/ Paus för att pausa diskningen kommer diskmaskinen att ljuda varje minut om du inte trycker på Start/Paus-knappen för att starta.

Ändra programmet

Ett diskprogram kan bara ändras om det har gått en kort stund, annars kan diskmedlet redan ha släppts ut och diskmaskinen kan vara full med diskvatten. Då måste diskmaskinen återställas och diskmedelsfacket fyllas igen. Följ nedanstående instruktioner för att återställa diskmaskinen:

1. Tryck på Start/Paus-knappen och därefter på en av programknapparna i minst 3 sekunder för att ställa diskmaskinen i vänteläge.
2. Tryck på programknappen för att välja ett program.
3. Tryck på Start/Paus-knappen, för att starta diskmaskinen.

OBS:

Om du vill öppna luckan under diskningen, tryck på diskmaskinens Start/Paus-knapp först. När du stängt luckan och trycker på Start/Paus-knappen sätter diskmaskinen igång efter 10 sekunder.

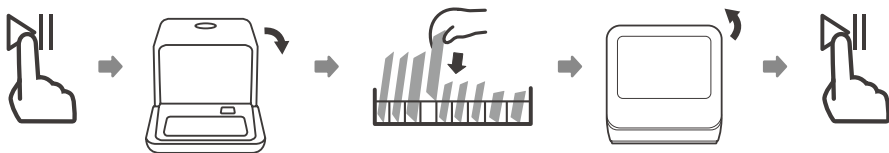
Om din diskmaskinsmodell har en minnesfunktion som blir avbruten, fortsätter maskinen att avsluta det valda programmet när strömmen

kommer tillbaka.

Glömt sätta in disk?

Kvarglömd disk kan sättas in när som helst innan diskmedelsfacket öppnas. Följ nedanstående instruktioner om så är fallet:

1. Tryck på Start/Paus-knappen.
2. Öppna luckan lite för att stoppa diskningen.
3. När spolarmarna stannar kan du öppna luckan helt.
4. Sätta in den bortglömda disken.
5. Stäng luckan.
6. Tryck på Start/Paus-knappen, efter 10 sekunder startar diskmaskinen igen.



I slutet av diskprogrammet

När det valda programmet är klart så ljuder summern i 8 sekunder och stoppar därefter. Stäng av diskmaskinen med strömbrytaren (ON/OFF), stäng av vattentillförseln och öppna luckan. Vänta några minuter innan du tömmer diskmaskinen för att undvika att skälla dig. Disken och redskapen är fortfarande varma och känsligare för att gå sönder. Disken torkar också bättre.

⌘ Stänga av diskmaskinen

1. Stäng av diskmaskinen genom att trycka på knappen ON/OFF (På/Av).
2. Stäng av vattenkranen!

⌘ Öppna luckan försiktigt

Varm disk är känslig för stötar. Låt disken svalna i ungefär 15 minuter innan du tar ut den ur diskmaskinen.

Öppna luckan, lämna den på glänt några minuter innan du tar ut disken. På så sätt svalnar den och torkar bättre.

⌘ **Tömma diskmaskinen**

Det är normalt att diskmaskinen är våt på insidan.

VARNING

Det är farligt att öppna luckan under diskningen, eftersom det varma vattnet kan skålla dig.

Forcerad tömning

I vänteläge kan du hålla "GLAS"-knappen + "ECO"-knappen intryckta samtidigt i 3 sekunder för att tömma vattentanken.

UNDERHÅLL OCH RENGÖRING

Filtersystem

VARNING

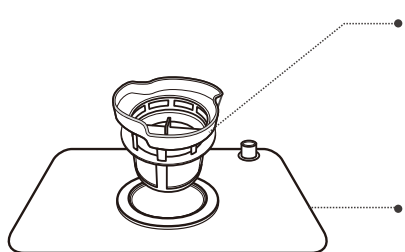
⌘ **Använd aldrig diskmaskinen utan filter!**

⌘ **Kontrollera att filtret sitter rätt.**

Resultatet kan påverkas, och disk och redskap kan skadas.

Filtret avlägsnar effektivt matrester från diskvattnet, och gör det möjligt att återvinna det under programmet.

För bästa prestanda och resultat måste filterenheten rengöras regelbundet. Därför är det en bra idé att ta bort större matrester som fastnat i filtret efter varje diskprogram genom att skölja filtret och behållaren under rinnande vatten. För att ta bort filterenheten, ta i behållarens handtag och dra uppåt.



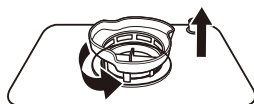
B. Finfilter

Detta filter håller kvar smuts och matrester i botten, och hindrar det från att fastna på disken under diskprogrammet.

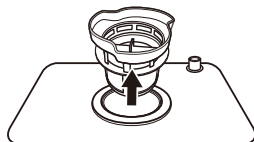
A. Huvudfilter

Matrester och smutspartiklar som fastnar i detta filter pulveriseras med en speciell stråle på den nedre spolarmen, och spolas ut i avloppet.

Steg 1: Vrid filterenheten moturs för att lossa den.



Steg 2: Lyft upp finfiltret ur huvudfiltret.



OBS:

När du går från steg 1 till steg 2, tas filtersystemet bort. När du går från steg 2 till steg 1 sätts filtersystemet in.

Hela filterenheten ska rengöras en gång i veckan.

- ⌘ Kontrollera om filtret är tilltäppt efter varje gång som diskmaskinen har använts.
- ⌘ Genom att skruva loss grovfiltret kan du ta ut hela filtersystemet. Ta bort alla matrester och rengör filtret under rinnande vatten.

VARNING

Knacka inte på filtren när du rengör dem. Det kan förvrida filtren och diskmaskinens prestanda kan försämrans.

Ta hand om diskmaskinen

Kontrollpanelen kan rengöras med en lätt fuktad trasa. Torka den noga efter rengöring. På utsidan kan ett bra polervax användas. Använd aldrig vassa föremål, skursvampar eller skarpa rengöringsmedel på någon del på diskmaskinen.

Rengöra luckan

Använd enbart en mjuk fuktig trasa för att rengöra kanten runt luckan. För att undvika att vatten tränger in i luckans lås och elektriska komponenter ska inga typer av sprayrengöring användas.

VARNING

- ⌘ Använd aldrig sprayrengöringsmedel för att rengöra luckan eftersom det kan skada luckans lås och elektriska komponenter.
- ⌘ Slipande ämnen eller vissa hushållspapper ska inte användas på grund av risken för repor eller för att de lämnar fläckar på ytan av rostfritt stål.

Skydda mot frost

Vidta frostskyddsåtgärder på diskmaskinen på vintern. Gör följande efter varje diskprogram.

1. Stäng av strömmen till diskmaskinen.
2. Stäng av vattentillförseln och koppla ifrån vattenintagsröret från vattenventilen.

3. Töm ut vattnet från intagsröret och vattenventilen (använd en skål för att samla upp vattnet).
4. Sätt tillbaka vattenintagsröret på vattenventilen.
5. Ta bort filtret i botten av röret och använd en svamp för att suga upp vattnet i sumpen.

OBS:

Om diskmaskinen inte fungerar på grund av isen, kontakta en godkänd serviceperson.

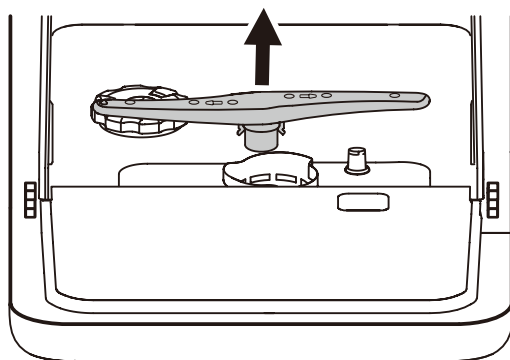
Drifttemperatur: Denna produkt rekommenderas att användas i en miljö över 0°C för att förhindra frostsador.

Rengöra spolarmarna

Spolarmarna kan enkelt tas bort för regelbunden rengöring av munstyckena, för att förhindra att de ska täppas till. Rengör dem noga under rinnande vatten och sätt försiktigt tillbaka dem på sina platser, och kontrollera att de kan röra sig fritt.

Grip tag om mitten på spolarmen, dra uppåt för att ta bort den.

Rengör armarna under rinnande vatten och sätt försiktigt tillbaka på sin plats. Kontrollera att spolarmarna rör sig fritt när de satts tillbaka. Kontrollera också at de sitter rätt.



Så håller du diskmaskinen i skick

Efter varje diskning

Stäng av vattentillförseln till diskmaskinen och lämna luckan lite öppen efter varje diskning så att fukt och lukt inte samlas inuti.

Ta bort pluggen

Dra alltid ut kontakten ur eluttaget innan rengöring och underhåll.

Inga lösningsmedel eller slipande rengöringsmedel

Använd inte lösningsmedel eller slipande rengöringsprodukter för att rengöra diskmaskinens utsida och gummidelar. Använd enbart en trasa med varmt vatten och diskmedel.

Använd en trasa som fuktats i vatten med lite ättika eller en speciell rengöringsprodukt för diskmaskinen för att avlägsna märken och fläckar.

När den inte ska användas på länge

Du bör köra ett diskprogram med tom diskmaskin och därefter dra ut kontakten från vägguttaget, stänga av vattnet och lämna luckan lite öppen. Det gör att luckans tätningar håller längre och hindrar att det bildas dålig lukt i diskmaskinen.

Flytta diskmaskinen

Om diskmaskinen måste flyttas, försök att hålla den upprättstående. Den kan läggas på baksidan om det är absolut nödvändigt.

INSTALLATION

VARNING



Risk för elektriska stötar

Stäng av strömmen innan du installerar diskmaskinen. Gör man inte detta, kan det orsaka dödsfall eller elektriska stötar.

OBS!

Installationen av rören och elektrisk utrustning ska alltid utföras av fackmän.

Förbereda installation

Installationsplatsen för diskmaskinen ska vara nära befintliga inlopps- och avloppsslangar och eluttag.

En sida av skåpet under vasken ska väljas för att underlätta anslutningen av diskmaskinens avloppsslang.

Placera diskmaskinen

Placera diskmaskinen på önskad plats. Baksidan ska stå mot väggen bakom, och sidorna längs skåpen eller väggarna vid sidan om.

Diskmaskinen har vatteninlopps- och avloppsslangar som kan placeras till höger eller till vänster för att underlätta korrekt installation.

Om elanslutning

VARNING

För personlig säkerhet:

- ⌘ Använd inte förlängningskablar eller en adapterkontakt med denna maskin.
- ⌘ Klipp inte av eller ta bort den jordade kontakten från kabeln under några förhållanden.

Elektriska krav

Titta på typskylten för att se märkspänningen och anslut diskmaskinen till det lämpliga eluttaget. Använd den obligatoriska 10 Amp säkringen, fördröjningsrelä eller rekommenderad krets brytare, och använd en separat krets som endast används för denna maskin.

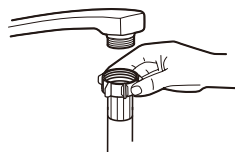
Elektrisk anslutning

Kontrollera att spänningen och frekvensen motsvarar det som anges på typskylten. Sätt bara i kontakten i ett eluttag som är rätt jordat. Om eluttaget som maskinen ska anslutas till inte passar kontakten, byt ut eluttaget istället för att använda en adapter eller liknande, eftersom de kan orsaka överhettning och brännskador.

⚠ Se till att det finns lämplig jordning före användning

Vattenanslutning

Anslut tillförselslangen för kallvatten till ett gängat 19,5 mm (3/4 in.) koppling, och se till att den är ordentligt fäst. Om vattenledningarna är nya eller inte har använts på ett tag, låt vattnet rinna för att säkerställa att vattnet är rent och fritt från orenheter. Om man inte vidtar denna säkerhetsåtgärd finns en risk att vattenintaget kan blockeras och skada diskmaskinen.

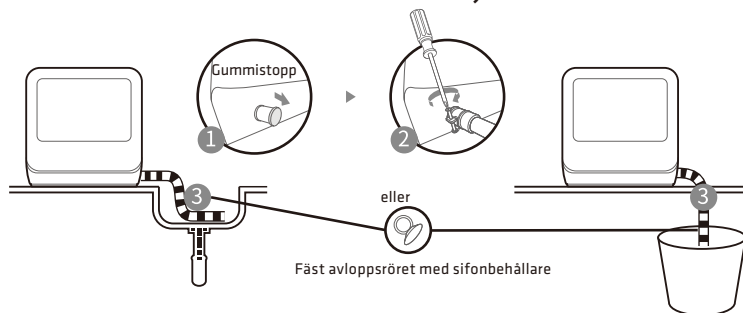


OBS:

Om den medföljande slangkopplingen inte passar kranen, kontakta en lokal VVS-firma där det du kan köpa en adapter.

Ansluta avloppsslangar

Fäst avloppsslangen i röret på maskinens baksida. Gränssnittet fästs med klämmor och dras åt med en skruvmejsel.



Ansluta avloppsslangen: Lägg slangens ände i en vask eller hink.

Avleda överskottsvatten från slangarna

Om vasken är 1000 mm hög från golvet, kan överskottsvattnet inte släppas ut direkt i vasken. Det blir nödvändigt att avleda överskottsvattnet från slangarna till en skål eller lämplig behållare som man håller utanför och lägre än vasken.

Vattenavlopp

Anslut avloppsslangen. Avloppsslangen måste monteras rätt för att undvika läckande vatten. Se till att avloppsslangen inte är böjd eller klämd.

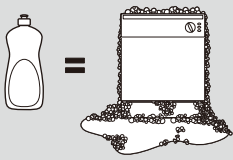
Förlängningsslang

Om du behöver en förlängning på avloppsslangen måste det vara en avloppsslang av samma typ. Den ska vara högst 4 meter, annars kan diskmaskinen rengöringseffekt försämrast.

FELSÖKNINGSTIPS

Innan du kontaktar service

Se diagrammen på följande sidor så behöver du kanske inte ringa efter service.

Problem	Möjlig orsak	Vad ska jag göra
Diskmaskinen startar inte	Säkring har gått eller kretsbrytaren har lösts ut.	Byt säkring eller återställ kretsbrytaren. Ta bort alla andra apparater som delar samma krets som diskmaskinen.
	Strömbrytaren är inte påslagen.	Kontrollera att diskmaskinen är påslagen och stäng luckan ordentligt. Kontrollera att kontakten är rätt isatt i eluttaget.
	Onormalt vattenintag. Vattentrycket är lågt.	Kontrollera att vattenintaget är anslutet ordentligt och vattnet är på.
	Diskmaskinens lucka är inte riktigt stängd.	Stäng luckan ordentligt så att den låses.
Vatten pumpas inte ut från diskmaskinen	Vatten pumpas inte ut från diskmaskinen.	Kontrollera avloppsslangen.
	Filter tilltäppt.	Kontrollera grovfiltret.
	Köksvasken är tilltäppt.	Kontrollera köksvasken för att se att avrinningen fungerar som den ska. Om problemet är att köksvasken inte släpper ut vattnet, måste du anlita en rörmokare istället för en serviceperson för diskmaskinen.
Lödder inuti maskinen	Fel diskmedel. 	Använd enbart speciellt maskindiskmedel för att undvika lödder. Om det finns lödder i diskmaskinen. Öppna lucka i 20-30 minuter så att löddret dunstar bort. Om lödder fortfarande finns kvar på inuti. Tillsätt 1,5 liter vatten på inuti stäng luckan och kör en forcerad tömning för att tömma ut det med vattnet. Upprepa proceduren tills löddret försvunnit.
	Utspilld spolglans.	Torka alltid upp utspilld spolglans direkt.
Diskmaskinens insida fläckig	Diskmedel med färgmedel kan ha använts.	Kontrollera att diskmedlet inte har färgmedel.

Problem	Möjlig orsak	Vad ska jag göra
Vit hinna på insidan	Mineraler från hårt vatten.	Använd en gummihandskar och använd en fuktig svamp med maskindiskmedel för att rengöra insidan. Använd inga andra rengöringsmedel än maskindiskmedel eftersom det annars kan bildas skum eller lödder.
Det finns rostfläckar på bestick	De berörda produkterna är inte rostskyddade.	Undvik att diska föremål i diskmaskinen som inte är rostfria.
	Inget program kördes efter att diskmaskinssalt tillsattes. Spår av salt har kommit in i diskcykeln.	Kör alltid ett diskprogram utan disk när salt har tillsats. Välj inte Turbo-funktionen (i förekommande fall).
	Locket på avhårdaren är löst.	Kontrollera att locket till avhårdaren är riktigt stängt.
Knackande ljud i diskmaskinen	Spolarmen slår mot ett föremål i en korg	Avbryt programmet och flytta föremålen som hindrar spolarmen.
Rasslande ljud i diskmaskinen	Föremål är lösa i diskmaskinen.	Avbryt programmet och flytta föremålen.
Knackande ljud i vattenledningarna	Detta kan orsakas av installationen på platsen eller rörens förbindelse.	Detta påverkar inte diskmaskinens funktion. Är du tveksam, kontakta en kvalificerad rörmokare.
Disken blir inte ren	Disken sattes inte in rätt.	Se informationen i "Fylla och tömma diskmaskinen".
	Programmet var inte tillräckligt kraftfullt.	Välj ett mer intensivt program.
	Inte tillräckligt mycket diskmedel.	Använd mer diskmedel eller byt diskmedel.
	Föremål blockerar spolarmarnas rörelse.	Flytta föremålen så att spolarmen kan snurra fritt.
	Filterkombinationen är inte ren eller inte rätt isat i botten på diskmaskinen. Det kan orsaka att spolarmens munstycken blockerar.	Rengör och/eller sätt i filtret rätt. Rengör spolarmens munstycken.
Grumlighet på glas.	Kombination av mjukt vatten och för mycket diskmedel.	Använd mindre diskmedel om du har mjukt vatten och välj ett kortare program för att diska glas för att få det renare.

Problem	Möjlig orsak	Vad ska jag göra
Vita fläckar på disk och glas.	Område med hårt vatten kan orsaka kalkbeläggningar.	Tillsätt mer diskmedel.
Svarta och grå märken på disken	Aluminiumredskap har gnidits mot disken.	Använd ett mildt slipande rengöringsmedel för att få bort märkena.
Diskmedel kvar i dispenser	Disk blockerar diskmedelsdispenser.	Flytta om disken.
Disken blir inte torkar.	Disken felaktigt placerad	Fyll diskmaskinen enligt de föreslagna anvisningarna.
	Disk tas ut för snabbt.	Töm inte diskmaskinen direkt efter diskningen. Öppna luckan lite för att släppa ut ångan. Ta inte ut disken förrän innertemperaturen är säker att ta i. Töm den nedre korgen först för att det inte ska droppa vatten från den övre korgen.
	Fel program har valts	Med ett kort program är disktemperaturen lägre, och diskresultatet sämre. Välj ett program med en längre disktid.
	Bestick med beläggning av låg kvalitet.	Avloppet är svårt med dessa föremål. Bestick eller disk av denna typ lämpar sig inte för diskmaskin.

Felsignaler

När en del fel uppträder, visas en signal som varning:

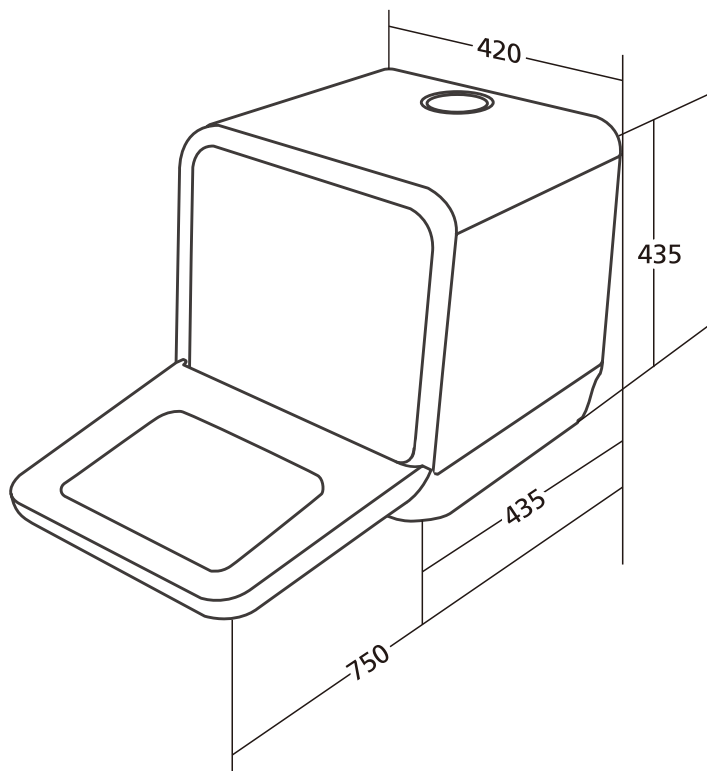
Signaler	Betydelser	Möjlig orsak
E1	Längre inloppstid.	Fel på flödesmätare, avloppsventil eller pump ska repareras av en kvalificerad person.
E3	När inte nödvändig temperatur	Fel på värmerör eller termistor, den ska repareras av en kvalificerad tekniker.
E4	Översvämning.	Någon del i diskmaskinen läcker.

E9	Tryckknapp	Vatten eller andra material i huvudutrymmet orsakar problemet eller ska det repareras av en kvalificerad person.
Ed	Onormal kommunikation	Den ska repareras av en kvalificerad person.
EA	Fel på ånggeneratorn	Den ska repareras av en kvalificerad person.

VARNING

- ⌘ Om det svämmar över, stäng av huvudvattenkranen innan du ringer efter service.
- ⌘ Om det finns vatten i bottenpannan på grund av en överfyllning eller litet läckage, ska vattnet avlägsnas innan diskmaskinen startas om.

TEKNISK INFORMATION



Höjd	435 mm
Bredd	420 mm
Djup	435 mm
Spänningsansluten last	se typskylt
Vattentryck	0,04 - 1,0 MPa
Strömförsörjning	se typskylt
Kapacitet	2 kuvert

Produktinformationsblad (En60436)

Leverantörens namn eller varumärke:				
Leverantörens adress:				
Modellidentifikator: PTDW1				
Allmänna produktparametrar:				
Parameter	Värde	Parameter	Värde	
Nominell kapacitet (°) (ps)	2	Mått i cm	Höjd	43,5
			Bredd	42,0
			Djup	43,5
EEl (°)	62,9	Energieffektivitetsklass (°)	G (°)	
Diskeffektivitetsindex (°)	1,13	Torkeffektivitetsindex (°)	0,86	
Energiförbrukning i kWh [per cykel], baserat på eco-programmet med påfyllning av kallt vatten. Faktisk energiförbrukning beror på hur maskinen används.	0,396	Vattenförbrukning i liter [per cykel], baserat på eco-programmet. Faktisk vattenförbrukning beror på hur maskinen används och vattnets hårdhet.	5,0	
Programmets längd (°) (t:min)	2:40	Typ	Fristående	
Luftburet akustiskt buller (°) (dB(A) re 1 pW)	58	Luftburet akustiskt bullerutsläpp klass (°)	D (°)	
Avstängt läge (W)	0,49	Pausläge (W)	Inte tillgängligt	
Fördröj start (W) (i förekommande fall)	1,00	Nätverksanslutet pausläge (W) (i förekommande fall)	Inte tillgängligt	
Kortaste giltighetsperiod för leverantörens garanti (°):				
Ytterligare information:				
Länk till leverantören webbplats, där informationen under punkt 6 i bilaga II till EU-kommissionens förordning 2019/2022 (°) (°) finns:				
(a) för eco-programmet.				
(b) Ändringar av dessa parametrar ska inte anses relevanta för tillämpningen av artikel 4.4 i förordning (EU) 2017/1369.				
(c) Om det slutgiltiga värdet för denna parameter genereras automatiskt från produkt databasen ska leverantören inte ange några värden.				
(1) Kommissionens förordning (EU) 2019/2022 från den 1 oktober 2019 om krav på ekodesign för diskmaskiner i hushåll enligt Europaparlamentets och rådets direktiv 2009/125/EG om ändring av kommissionens förordning (EU) nr 1275/2008 och om upphävande av kommissionens förordning (EU) nr 1016/2010 (se sidan 267 i denna officiella tidning).				

SPECIFIKATIONER

Modell: PTDW1

Märkspänning: AC220-240V 50Hz

Strömförbrukning: 730-860W



Denna symbol på produkten eller i instruktionerna betyder att dina elektriska och elektroniska apparater ska källsorteras när de är förbrukade och att de inte får slängas i hushållssoporna. Det finns särskilda insamlingssystem för återvinning inom EU. För ytterligare information, kontakta din kommun eller din återförsäljare där du köpte produkten.

Power International AS,
PO Box 523, N-1471 Lørenskog, Norway

Power Norge:
<https://www.power.no/kundeservice/>
T: 21 00 40 00

Power Danmark:
<https://www.power.dk/kundeservice/>
T: 70 33 80 80

Punkt 1 Danmark:
<https://www.punkt1.dk/kundeservice/>
T: 70 70 17 07

Power Finland:
<https://www.power.fi/tuki/asiakaspalvelu/>
T: 0305 0305

Power Sverige:
<https://www.power.se/kundservice/>
T: 08 517 66 000

